



US00D920284S

(12) **United States Design Patent**  
**Terazaki**

(10) **Patent No.:** **US D920,284 S**

(45) **Date of Patent:** **\*\* May 25, 2021**

(54) **AUDIO PLAYER**

(71) Applicant: **YAMAHA CORPORATION,**  
Hamamatsu (JP)

(72) Inventor: **Yoshinobu Terazaki,** Hamamatsu (JP)

(73) Assignee: **YAMAHA CORPORATION,**  
Hamamatsu (JP)

(\*\*) Term: **15 Years**

(21) Appl. No.: **29/705,452**

(22) Filed: **Sep. 12, 2019**

(30) **Foreign Application Priority Data**

Aug. 8, 2019 (JP) ..... 2019-017789

(51) **LOC (13) Cl.** ..... **14-01**

(52) **U.S. Cl.**  
USPC ..... **D14/214**

(58) **Field of Classification Search**  
USPC ..... D14/209-219, 167-172, 188, 199,  
D14/194-196, 204, 221-222, 224, 496,  
D14/265, 209.1, 432-434; D21/516, 513,  
D21/324, 478-480, 499; D13/168;  
D23/332-336, 352, 355-366, 269,  
D23/135-137; D26/135, 137, 22, 51, 9,  
D26/93

CPC ..... H04R 1/02; H04R 1/023; H04R 1/021;  
A44C 5/0007; A44C 5/0015; A44C  
5/0023; A44C 5/0084

See application file for complete search history.

(56) **References Cited**

**U.S. PATENT DOCUMENTS**

D422,590 S \* 4/2000 Kloss ..... D14/194  
D427,581 S \* 7/2000 Hattori ..... D14/168  
D556,732 S \* 12/2007 Chan ..... D14/168  
D561,741 S \* 2/2008 Huang ..... D14/214

D572,702 S \* 7/2008 Bart ..... D14/171  
D577,709 S \* 9/2008 Skurdal ..... D14/171  
D582,887 S \* 12/2008 Poandl ..... D14/172  
D583,358 S \* 12/2008 Joseph ..... D10/2  
D599,782 S \* 9/2009 Tse ..... D14/209.1  
D656,919 S \* 4/2012 Skurdal ..... D14/171  
D666,577 S \* 9/2012 Skurdal ..... D14/171  
D746,789 S \* 1/2016 DeVesto ..... D14/188  
D749,541 S \* 2/2016 Wong ..... D14/170  
D788,739 S \* 6/2017 DeVesto ..... D14/172  
D859,362 S \* 9/2019 Bang ..... D14/215

(Continued)

**OTHER PUBLICATIONS**

TSX-B237, yamaha.com, [online], [site visited Mar. 10, 2021],  
Available from internet URL: [https://ca.yamaha.com/en/products/  
audio\\_visual/desktop\\_audio/tsx-b237/](https://ca.yamaha.com/en/products/audio_visual/desktop_audio/tsx-b237/) (Year: 2021).\*

(Continued)

*Primary Examiner* — Samantha Q Lawrence

*Assistant Examiner* — Holly M Rodriguez

(74) *Attorney, Agent, or Firm* — Sughrue Mion, PLLC

(57) **CLAIM**

The ornamental design for an audio player, as shown and  
described.

**DESCRIPTION**

FIG. 1 is a perspective view of the front, top and right side  
of an audio player showing my new design;

FIG. 2 is a front view thereof;

FIG. 3 is a rear view thereof;

FIG. 4 is a left side view thereof;

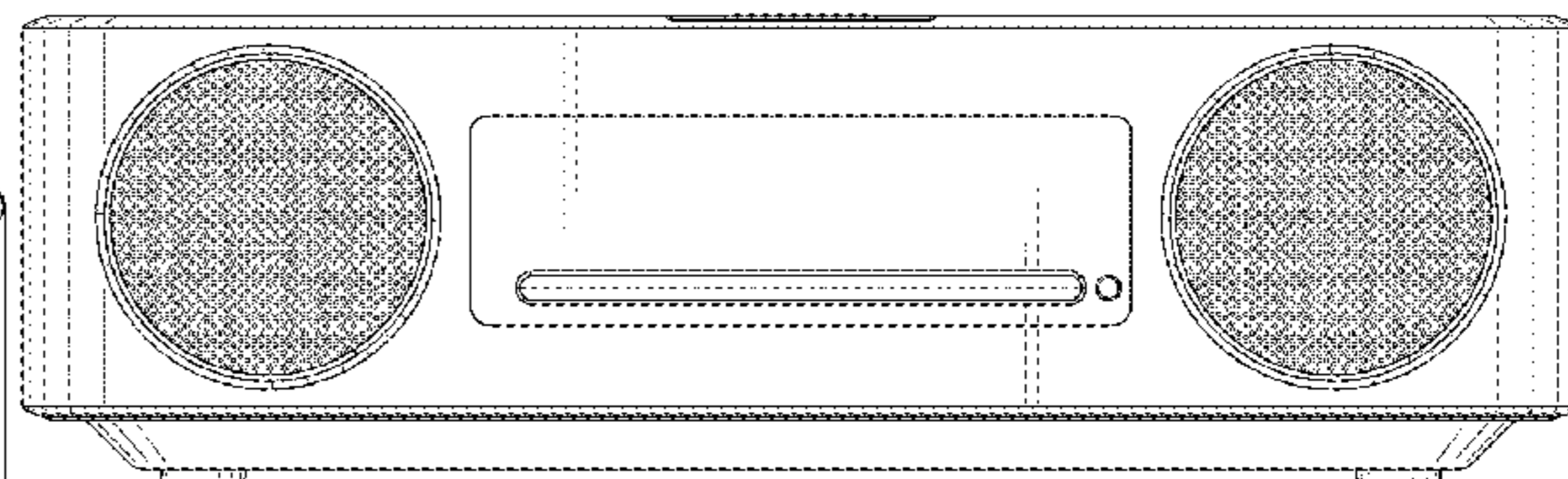
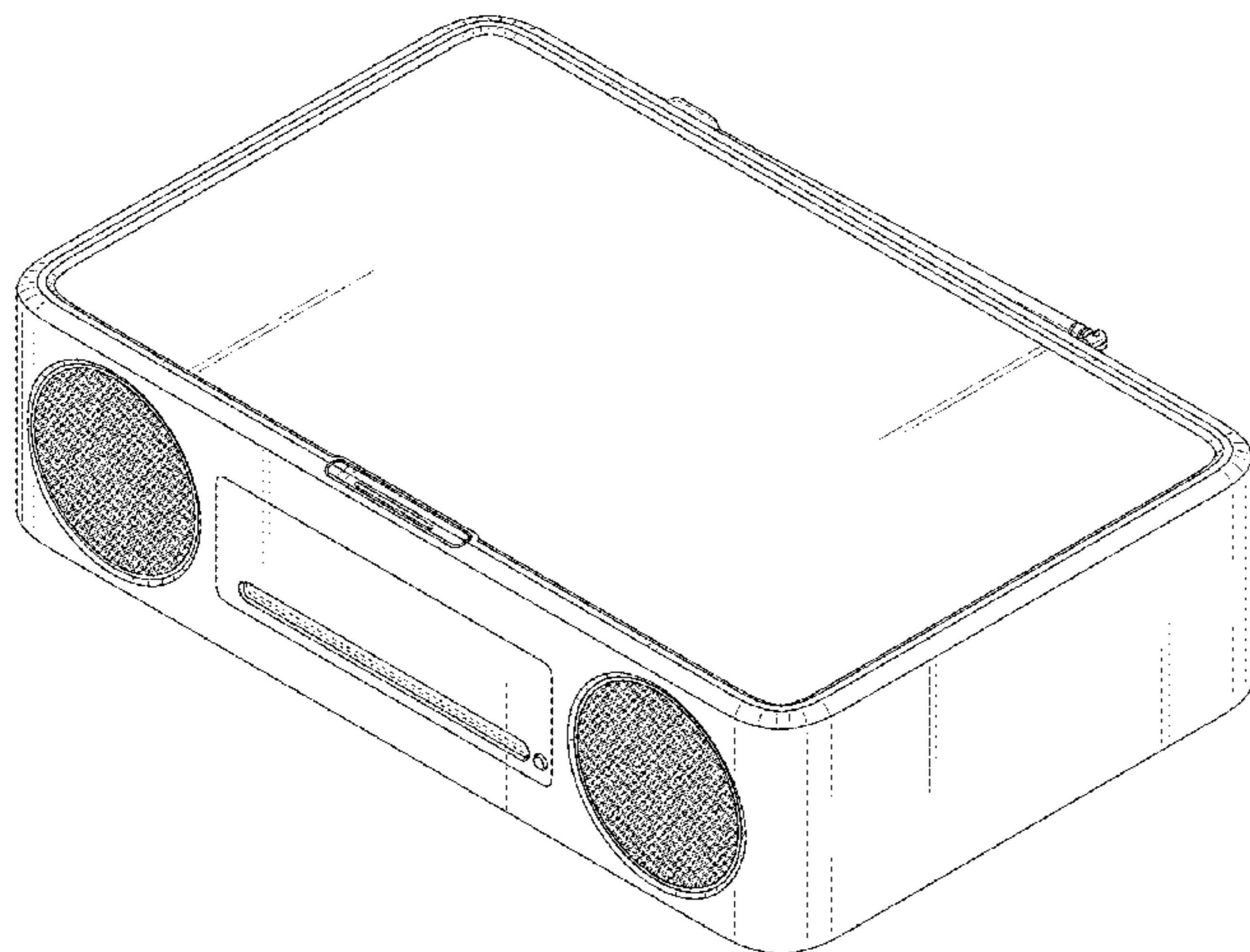
FIG. 5 is a right side view thereof;

FIG. 6 is a top view thereof; and,

FIG. 7 is a bottom view thereof.

The broken line showing of the audio player is included for  
the purpose of illustrating portions of the audio player and  
forms no part of the claimed design.

**1 Claim, 5 Drawing Sheets**



(56)

**References Cited**

U.S. PATENT DOCUMENTS

2013/0336510 A1\* 12/2013 Lee ..... G11B 33/126  
381/333  
2016/0337501 A1\* 11/2016 Yew ..... H04W 4/12

OTHER PUBLICATIONS

DA-E750 Wireless Audio Dock, first available Jun. 15, 2012, amazon.com, [online], [site visited Mar. 10, 2021], Available from internet URL: <https://www.samsung.com/ie/support/model/DA-E750/XU/> (Year: 2012).\*

Yamaha TSX-130 iPod dock, first available Jun. 16, 2009, <https://www.theregister.com/>, [online], [site visited Mar. 10, 2021], Available from internet URL: [https://www.theregister.com/Print/2009/06/16/review\\_ipod\\_dock\\_yamaha\\_tsx\\_130](https://www.theregister.com/Print/2009/06/16/review_ipod_dock_yamaha_tsx_130) (Year: 2009).\*

\* cited by examiner

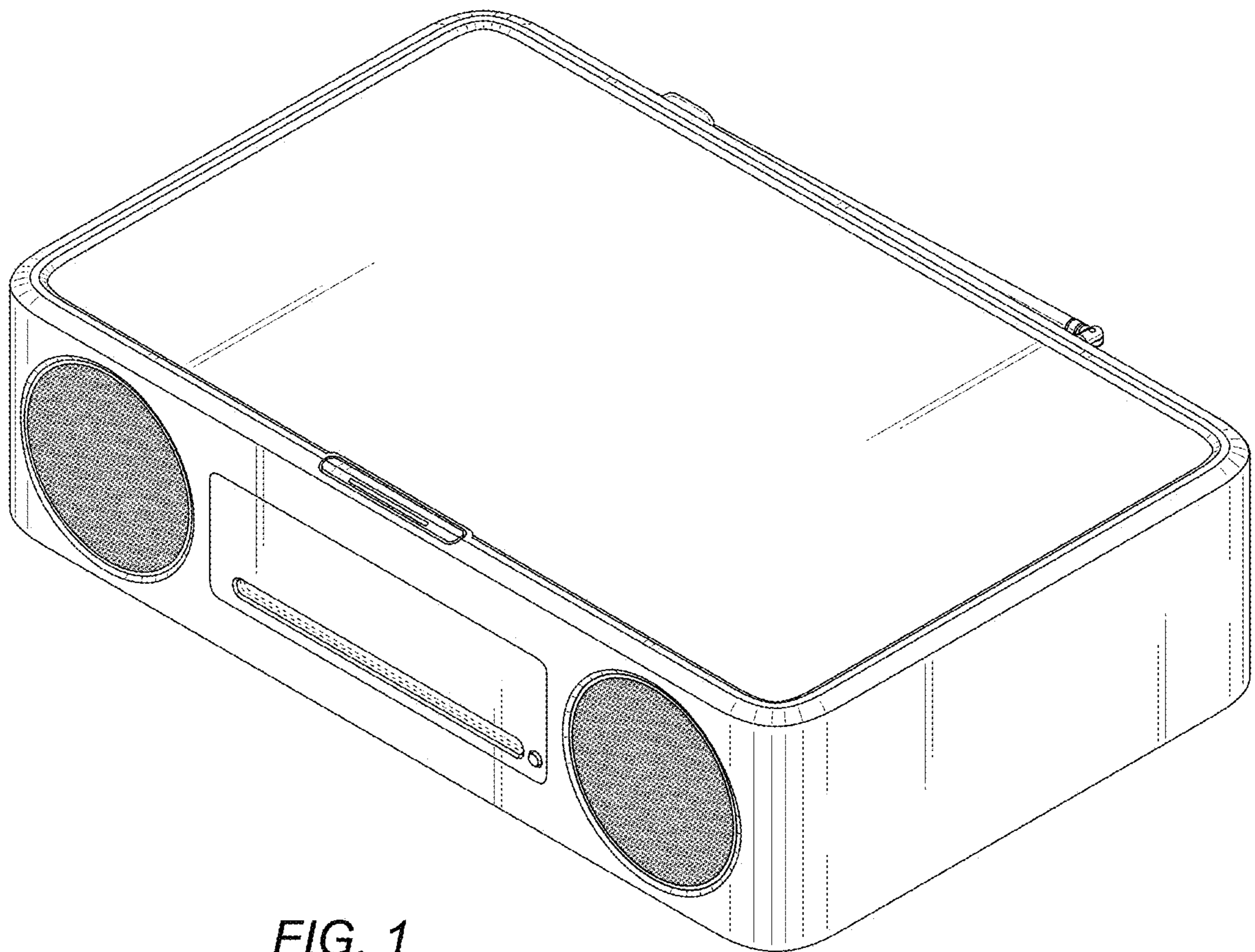


FIG. 1

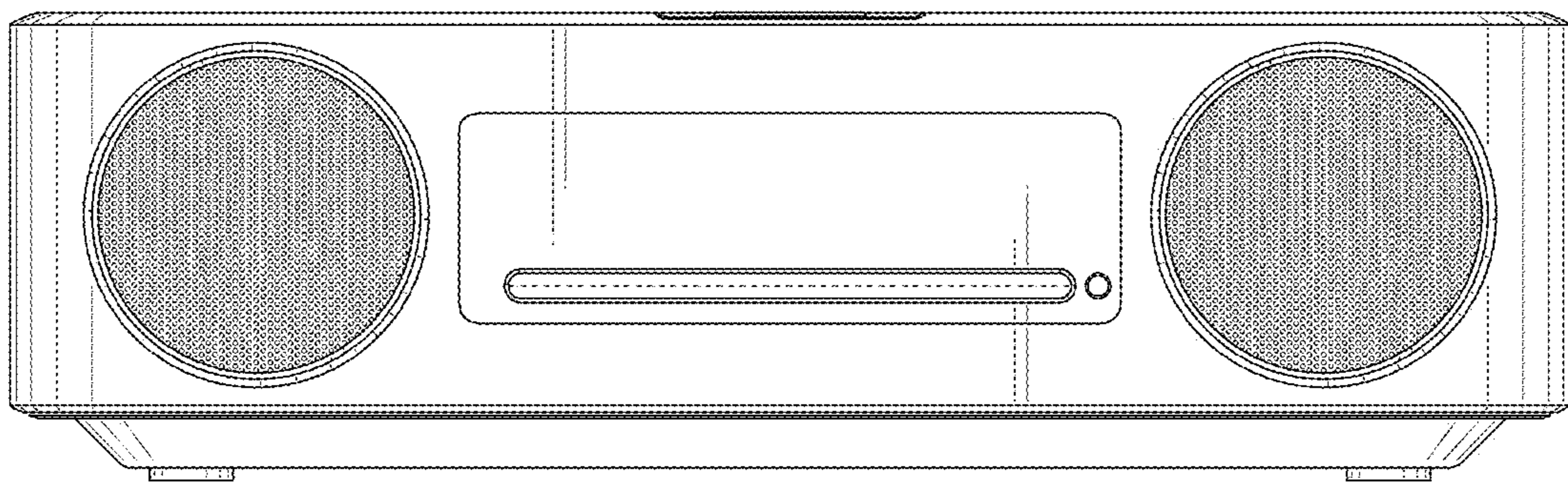


FIG. 2

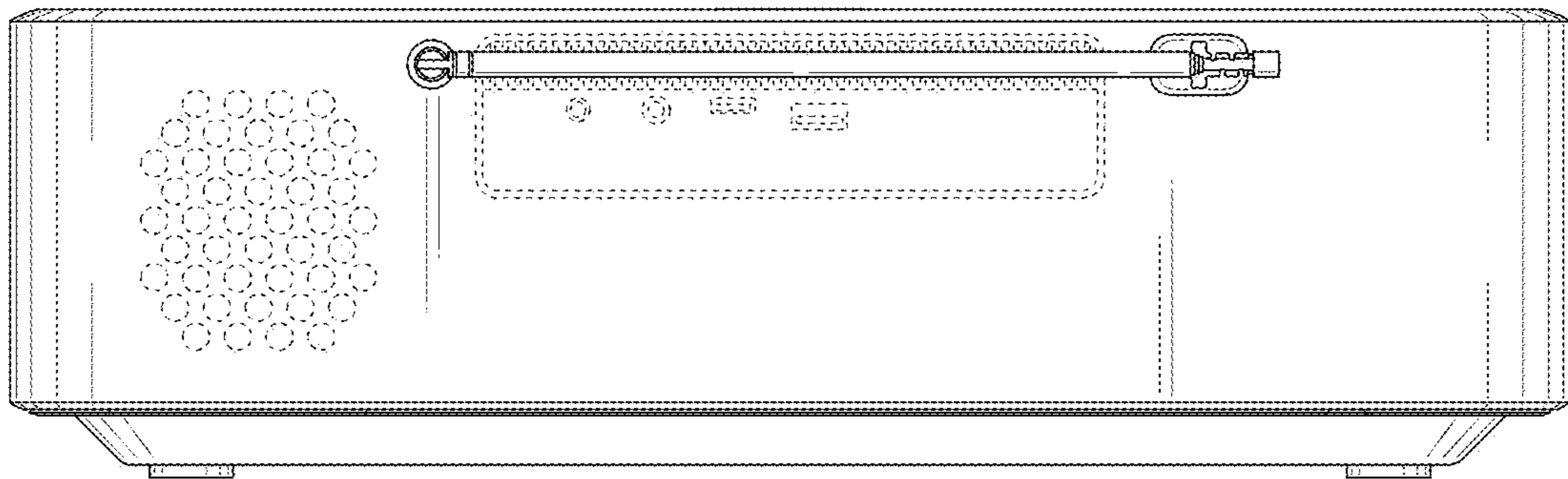


FIG. 3

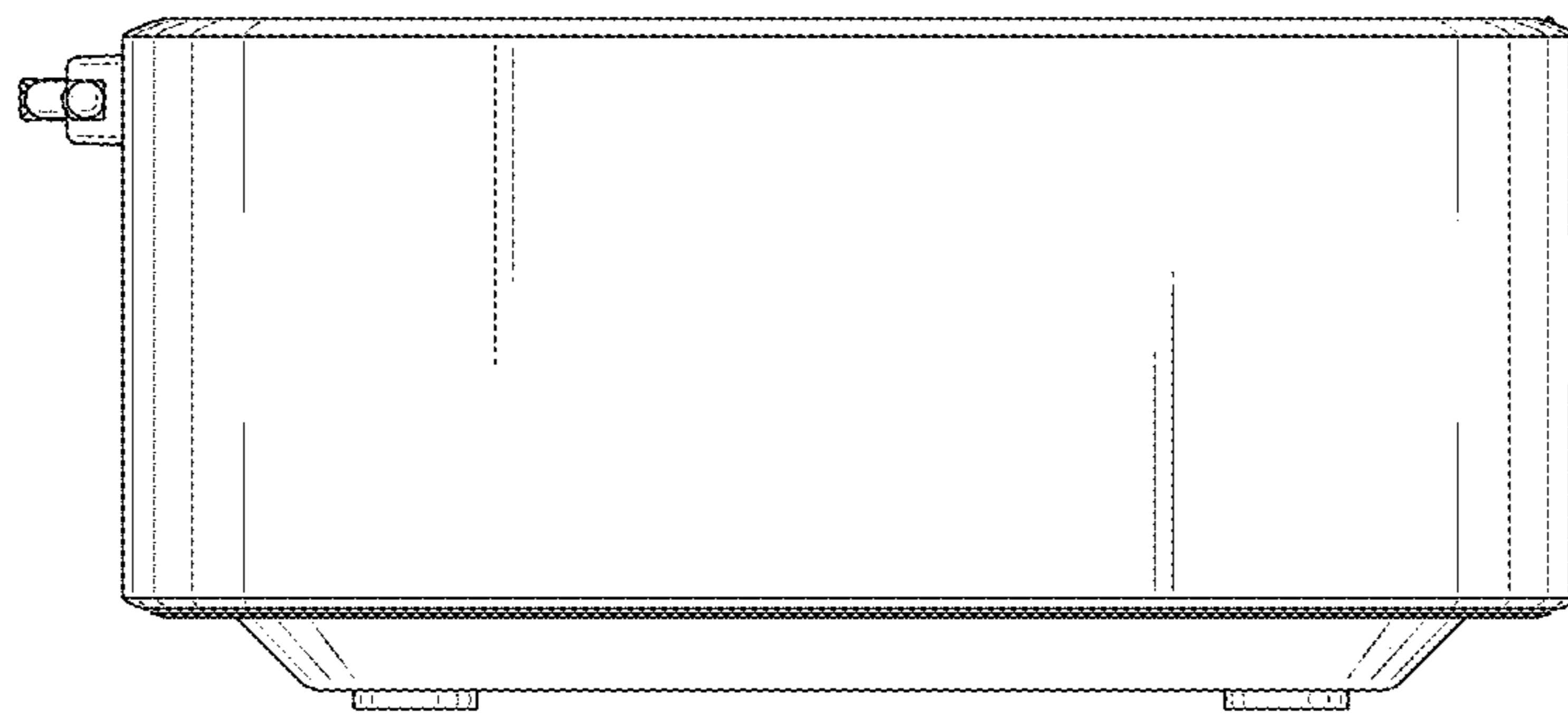


FIG. 4

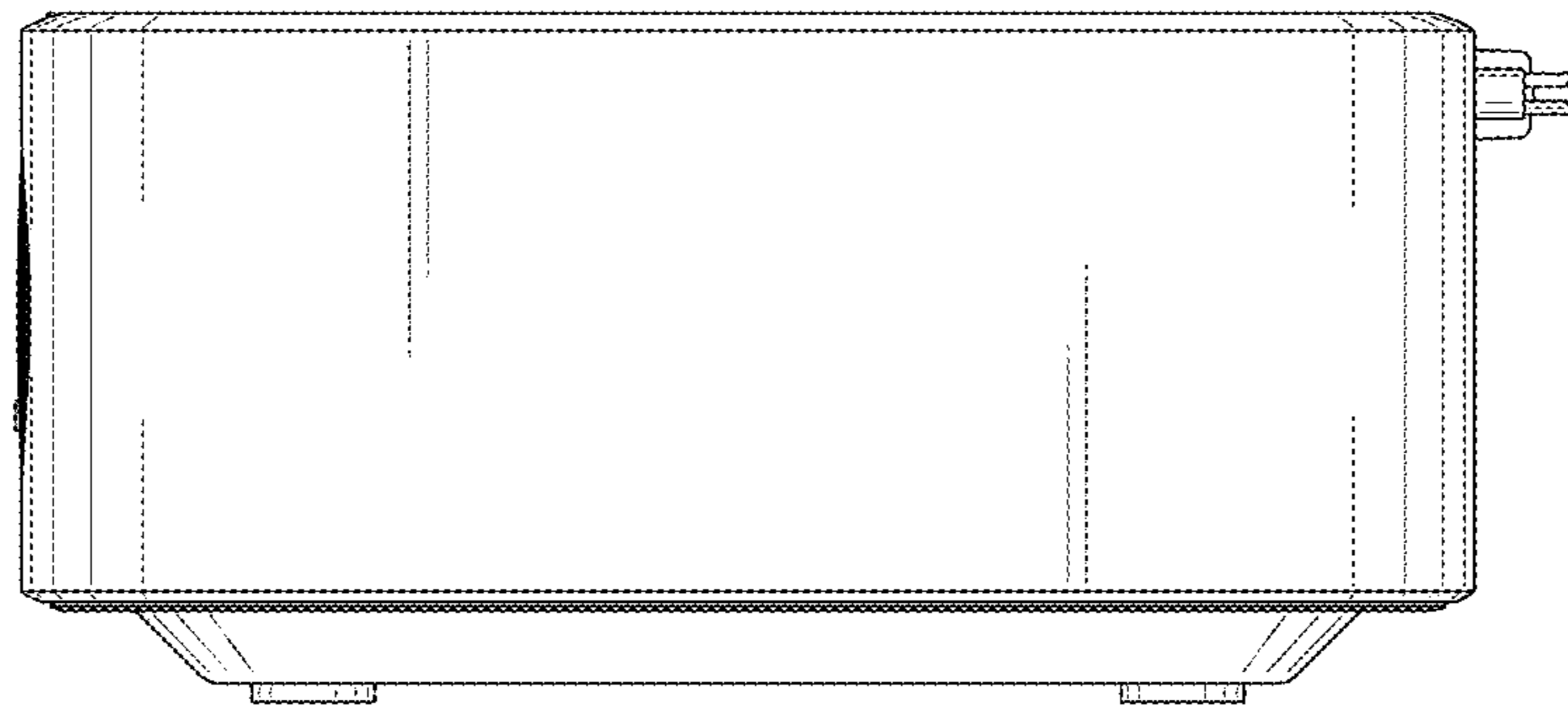


FIG. 5

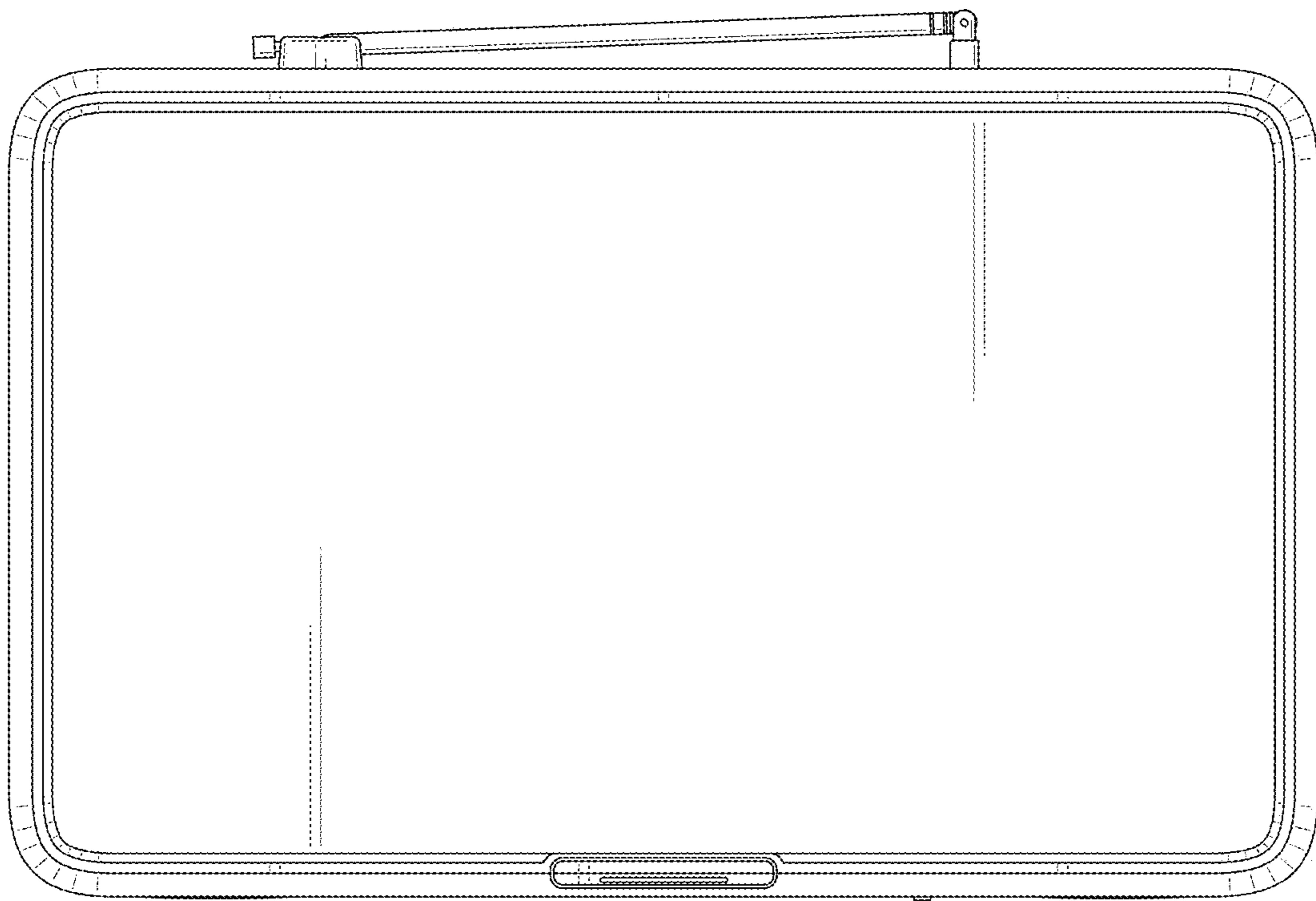


FIG. 6

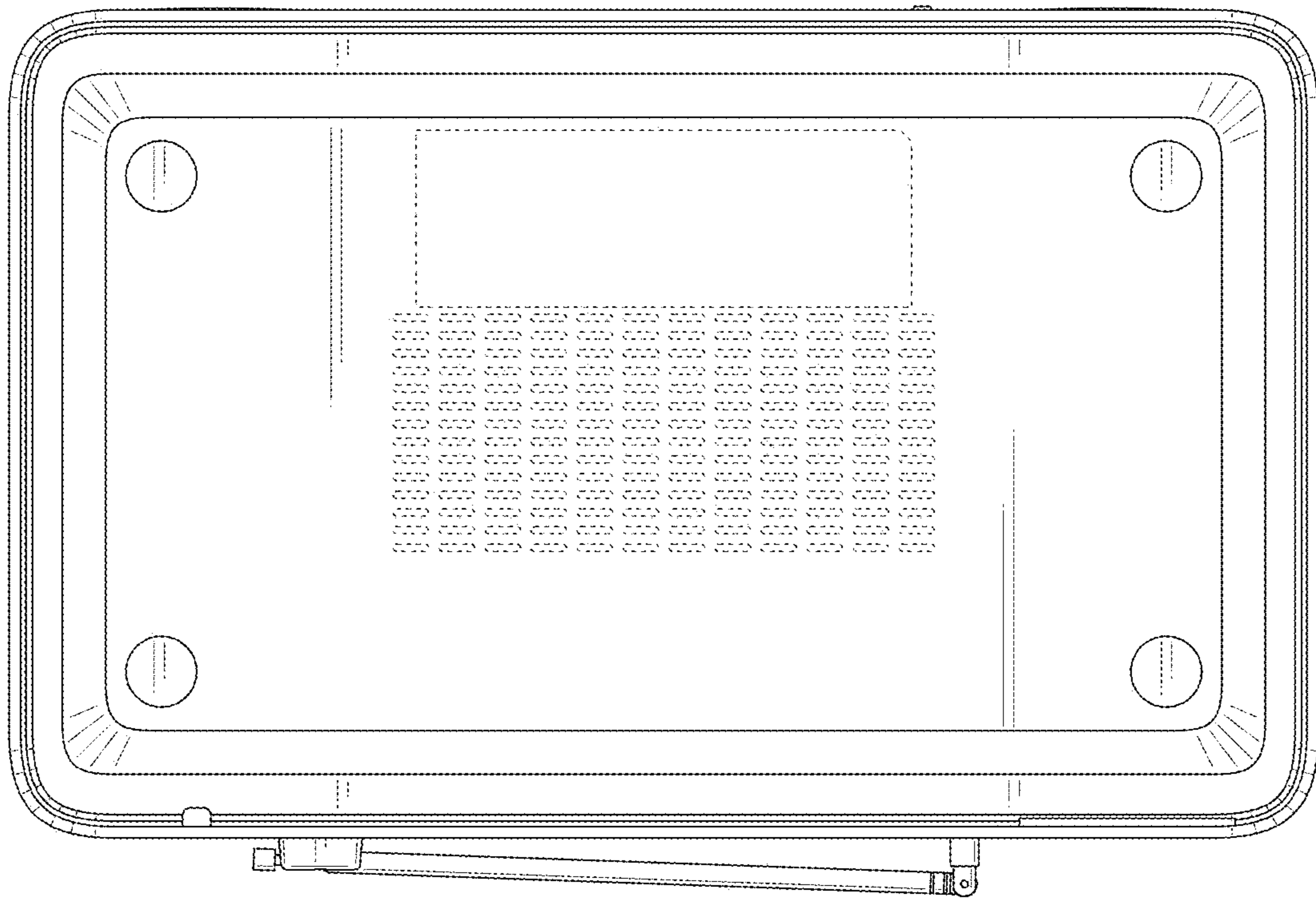


FIG. 7