



US00D920283S

(12) **United States Design Patent** (10) **Patent No.:** **US D920,283 S**  
**Levine et al.** (45) **Date of Patent:** **\*\* \*May 25, 2021**

- (54) **HEADSET**
- (71) Applicant: **New Audio LLC**, New York, NY (US)
- (72) Inventors: **Jonathan E. Levine**, New York, NY (US); **Drew Stone Briggs**, Seattle, WA (US)
- (73) Assignee: **New Audio, LLC**, New York, NY (US)
- (\*) Notice: This patent is subject to a terminal disclaimer.
- (\*\*) Term: **15 Years**
- (21) Appl. No.: **29/723,304**
- (22) Filed: **Feb. 5, 2020**

1,483,315 A	2/1924	Saal
1,489,978 A	4/1924	Oscar
1,587,409 A	6/1926	Ouillette
1,649,551 A	11/1927	Smith
2,235,372 A	3/1941	Otto
2,394,374 A	2/1946	Gilman
2,413,345 A	12/1946	Gilman
2,486,267 A	10/1949	Dulinsky
2,510,344 A	6/1950	Law
2,782,423 A	2/1957	Simon et al.
3,440,663 A	4/1969	Beguin
3,454,964 A	7/1969	Brinkhoff
3,488,457 A	1/1970	Lahti
3,797,045 A	3/1974	Aho
D235,210 S	5/1975	Hill
3,922,725 A	12/1975	Csiki et al.
D246,519 S	11/1977	Kato
4,175,217 A	11/1979	Williams
4,472,607 A	9/1984	Houng
4,727,585 A *	2/1988	Flygstad ..... H04R 5/0335 2/209

**Related U.S. Application Data**

- (62) Division of application No. 29/668,949, filed on Nov. 2, 2018, now Pat. No. Des. 878,329, which is a division of application No. 29/599,994, filed on Apr. 7, 2017, now Pat. No. Des. 832,913.
- (51) **LOC (13) Cl.** ..... **14-01**
- (52) **U.S. Cl.**  
USPC ..... **D14/205**
- (58) **Field of Classification Search**  
USPC ..... D14/205, 223, 188, 192; D29/112;  
2/209; 381/380, 381, 374; 455/90.3,  
455/575.1, 569.1  
CPC ..... H04R 25/00; H04R 25/02; H04R 1/1066;  
H04R 1/1016; H04R 5/033; H04R  
5/0335; H04R 1/1091  
See application file for complete search history.

(56) **References Cited**

**U.S. PATENT DOCUMENTS**

- 1,127,161 A 2/1915 Baldwin
- 1,367,746 A 2/1921 Kent

(Continued)

*Primary Examiner* — Paula Allen Greene  
(74) *Attorney, Agent, or Firm* — Holzer Patel Drennan

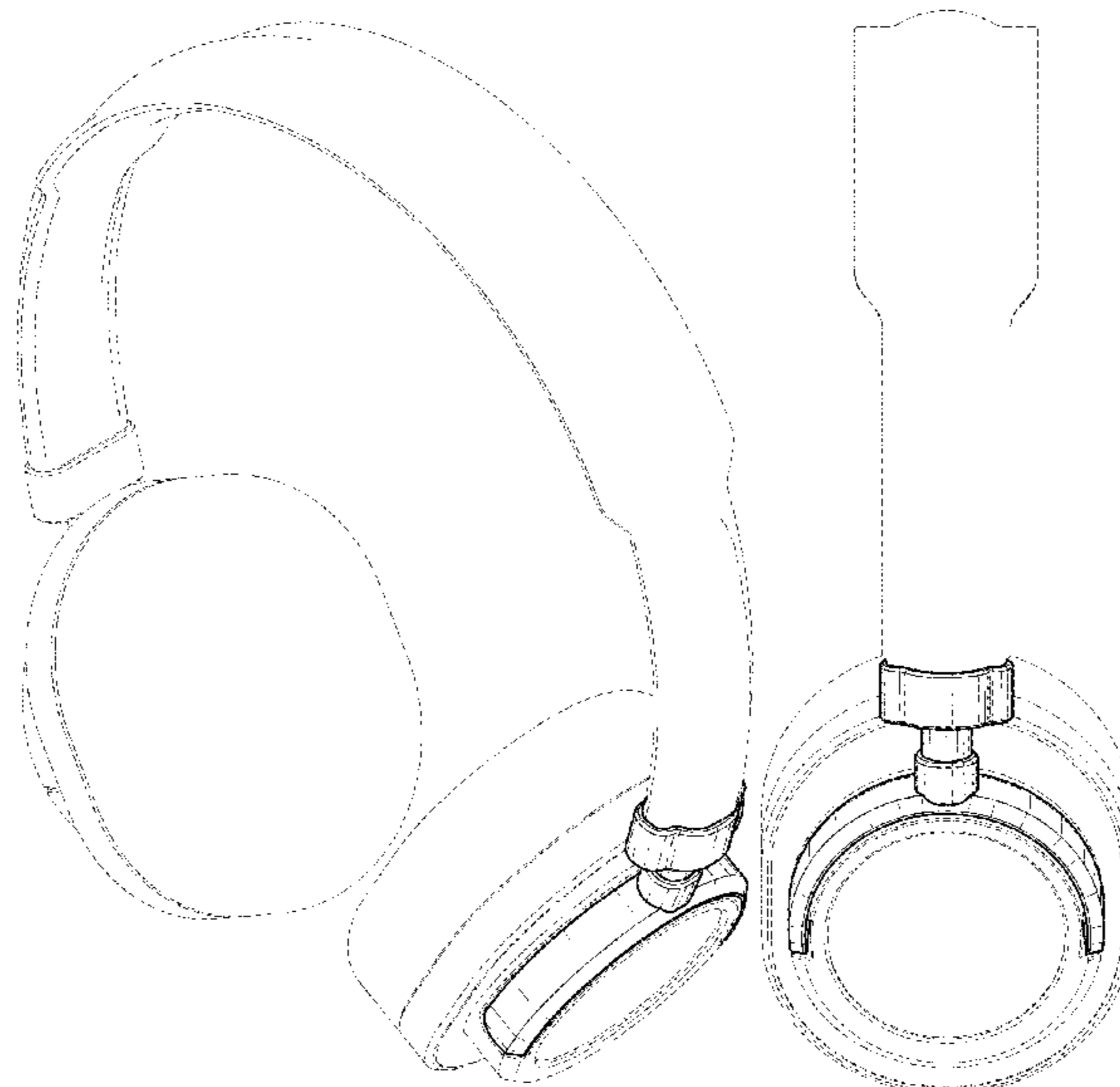
(57) **CLAIM**

The ornamental design for a headset, as shown and described.

**DESCRIPTION**

FIG. 1 is a perspective view of a headset showing our new design.  
 FIG. 2 is a front elevational view thereof.  
 FIG. 3 is a back elevational view thereof.  
 FIG. 4 is an outer side elevational view thereof.  
 FIG. 5 is an opposite outer side elevational view thereof.  
 FIG. 6 is a top plan view thereof; and,  
 FIG. 7 is a bottom plan view thereof.  
 In the drawing, the claimed design is defined by the shaded surfaces; the broken lines depict environment that forms no part of the claimed design.

**1 Claim, 5 Drawing Sheets**



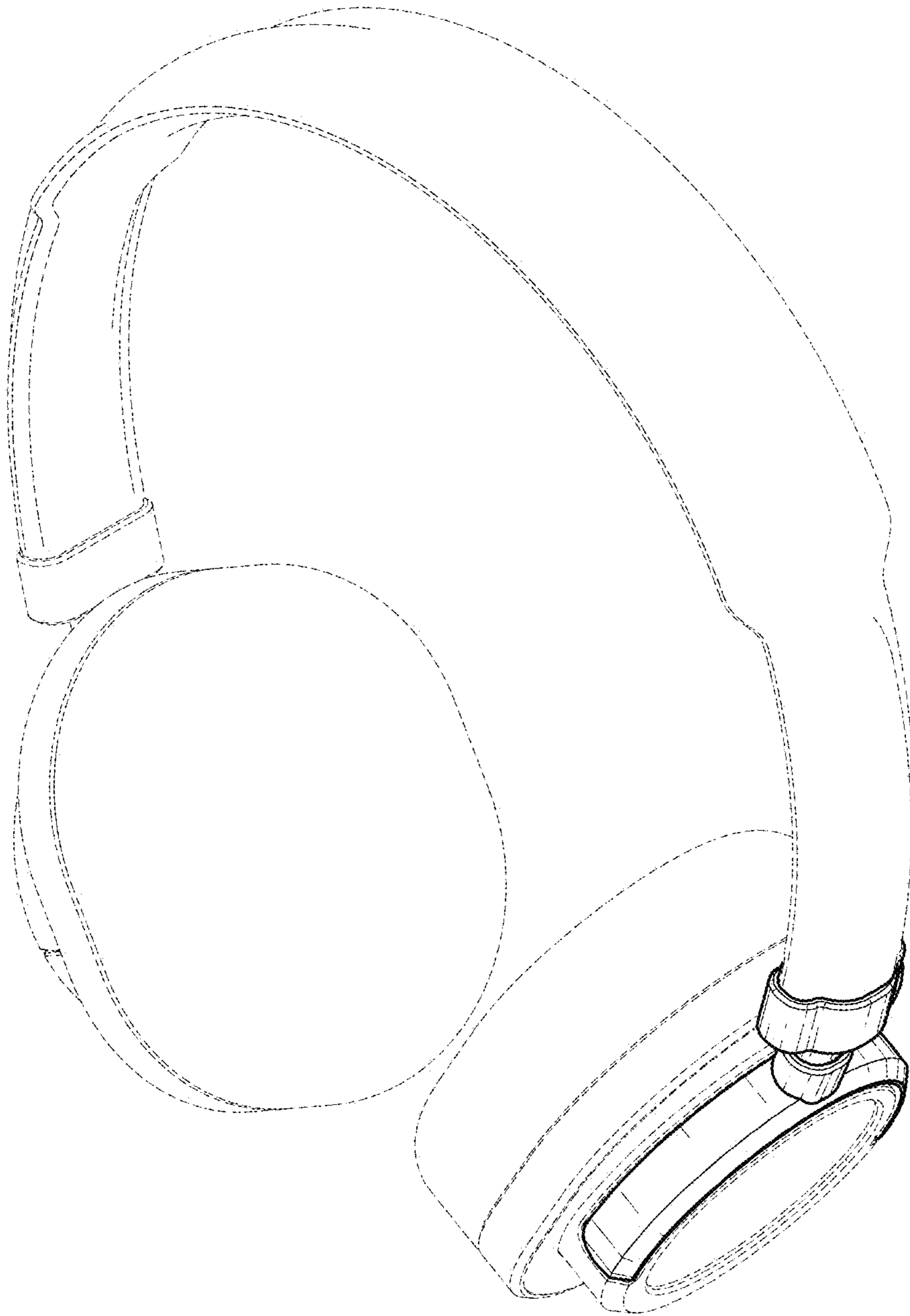
(56)

References Cited

U.S. PATENT DOCUMENTS

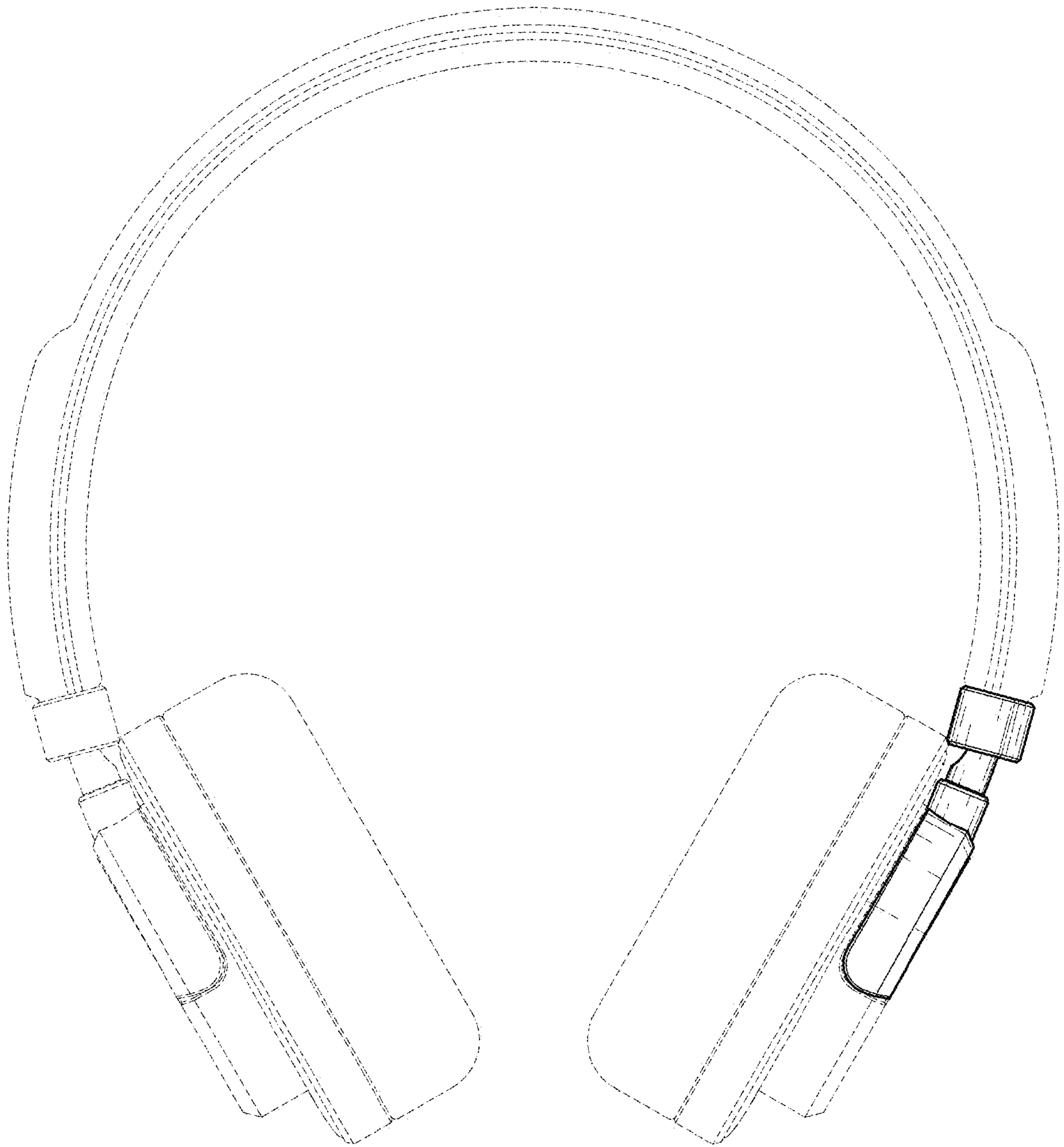
4,747,145	A *	5/1988	Wiegel .....	H04M 1/05 381/378	D741,842	S	10/2015	Levine	
4,829,571	A	5/1989	Kakiuchi		D758,837	S	6/2016	Symons	
4,982,592	A *	1/1991	Simon .....	B21C 23/14 72/260	D761,761	S *	7/2016	Ando .....	D14/205
5,035,005	A	7/1991	Hung		D762,190	S *	7/2016	Levine .....	D14/205
5,068,923	A	12/1991	Sjoqvist		D762,191	S	7/2016	Levine	
D328,074	S	7/1992	Yamazaki et al.		D765,055	S	8/2016	Hsieh et al.	
5,233,650	A	8/1993	Chan		D767,531	S	9/2016	Szymanski	
5,293,647	A	3/1994	Mirmilshhteyn		D772,841	S *	11/2016	Levine .....	D14/205
5,438,626	A	8/1995	Nueman		D780,155	S	2/2017	Levine et al.	
D410,466	S	6/1999	Mouri et al.		D781,265	S *	3/2017	Levine .....	D14/205
D431,550	S	10/2000	Yoneda		D781,814	S *	3/2017	Levine .....	D14/205
D484,485	S	12/2003	Matsuoka		D794,603	S	8/2017	Riggs et al.	
D491,163	S	6/2004	Green		9,729,954	B2	8/2017	Levine et al.	
D508,483	S	8/2005	Suzuki		D800,691	S	10/2017	Ando et al.	
D514,087	S	1/2006	Wilson		D805,056	S *	12/2017	Levine .....	D14/205
D517,527	S	3/2006	Suzuki		D810,055	S	2/2018	Levine	
D560,654	S	1/2008	Feng		D811,365	S	2/2018	Czaniecki	
D563,382	S	3/2008	Wikel		D812,588	S	3/2018	Levine	
D567,215	S	4/2008	Lee		D813,194	S	3/2018	Loh et al.	
D573,581	S	7/2008	Gondo et al.		D820,810	S	6/2018	Levine et al.	
7,457,649	B1 *	11/2008	Wilson .....	H04R 1/1025 379/428.02	D832,811	S	11/2018	Levine et al.	
D585,871	S	2/2009	Lee		D832,813	S *	11/2018	Levine .....	D14/205
D594,847	S	6/2009	Suzuki		D851,627	S	6/2019	ter Laag et al.	
D613,267	S *	4/2010	Suwalski .....	D14/206	D852,163	S	6/2019	Nagamine et al.	
D633,471	S	3/2011	Sugiyama		D852,166	S	6/2019	Levine	
D633,895	S *	3/2011	Morimoto .....	D14/205	10,327,057	B2	6/2019	Levine et al.	
D642,554	S	8/2011	Schaal et al.		D857,654	S	8/2019	Levine	
D665,775	S	8/2012	Katsumata		D858,481	S	9/2019	Saule et al.	
8,325,962	B2	12/2012	Ishida		D858,483	S	9/2019	Hu	
D677,243	S	3/2013	Kitayama et al.		D859,353	S	9/2019	Wagner	
8,737,668	B1	5/2014	Blair et al.		D859,354	S	9/2019	Xia	
D706,240	S	6/2014	Szymanski et al.		10,405,079	B2	9/2019	Levine et al.	
D706,241	S	6/2014	Szymanski et al.		D865,706	S	11/2019	Li et al.	
D721,052	S	1/2015	Carr et al.		10,516,928	B2	12/2019	Briggs	
D722,998	S	2/2015	Sancho		D878,329	S *	3/2020	Levine .....	D14/205
D726,174	S	4/2015	Wahlin		D893,453	S *	8/2020	Levine .....	D14/205
D727,280	S *	4/2015	Levine .....	D14/205	2001/0017925	A1 *	8/2001	Ceravolo .....	H04M 1/05 381/370
D727,281	S *	4/2015	Levine .....	D14/205	2008/0056525	A1	3/2008	Fujiwara et al.	
D728,512	S	5/2015	Nakagawa		2010/0177907	A1	7/2010	Morisawa	
D729,194	S	5/2015	Boeckel et al.		2010/0310093	A1	12/2010	Semcken	
D733,090	S	6/2015	Petersen		2012/0070028	A1	3/2012	Margulies	
D733,092	S	6/2015	Gan		2014/0363016	A1	12/2014	Blonder	
D736,174	S *	8/2015	Levine .....	D14/205	2017/0041696	A1	2/2017	Levine et al.	
D736,175	S *	8/2015	Levine .....	D14/205	2017/0041697	A1	2/2017	Levine	
D739,842	S	9/2015	Birger		2017/0134845	A1	5/2017	Milam	
					2017/0339479	A1	11/2017	Levine	
					2018/0020277	A1	1/2018	Briggs	
					2018/0020278	A1	1/2018	Levine et al.	
					2019/0387303	A1	12/2019	Levine et al.	

\* cited by examiner

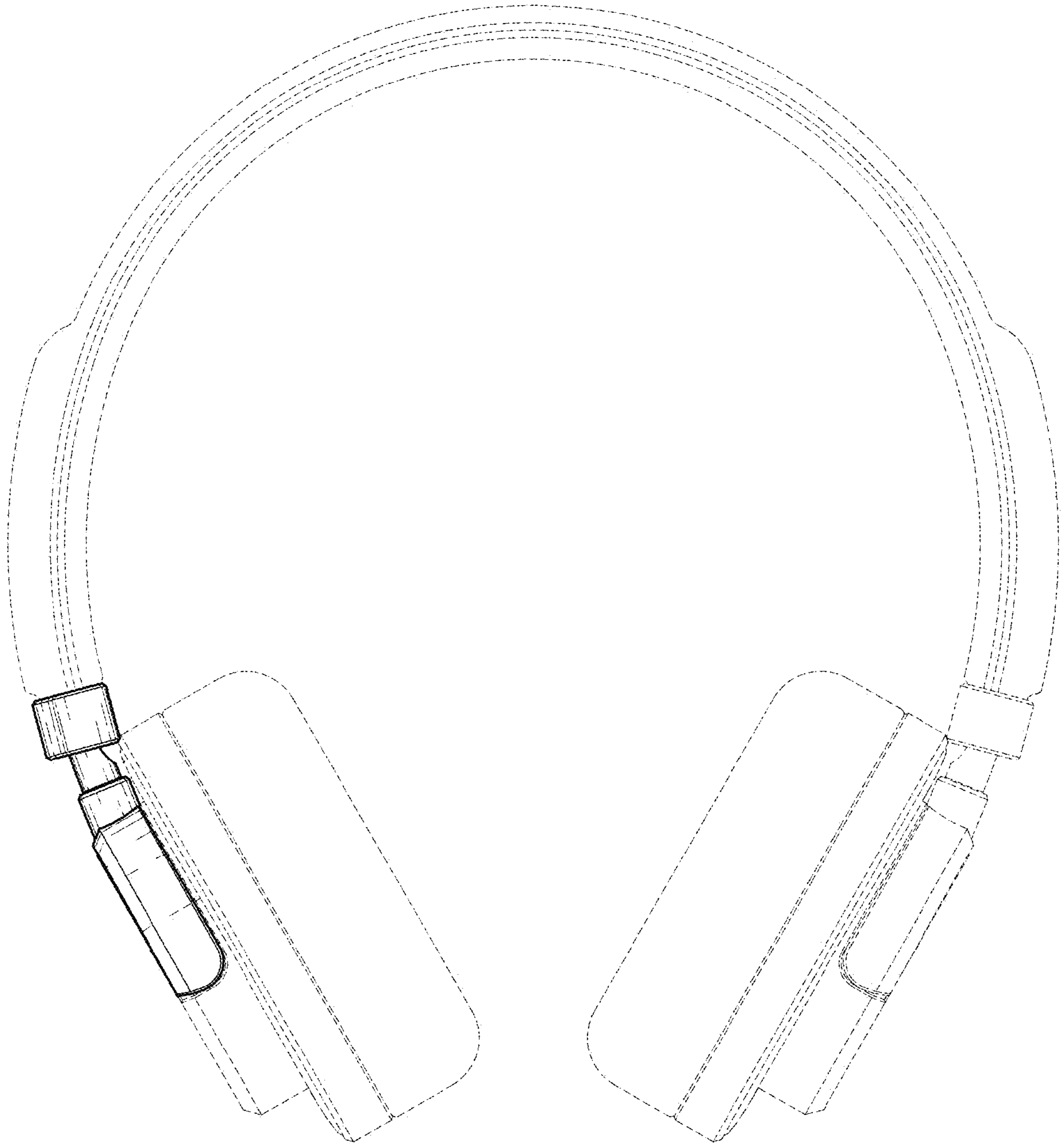


*Fig. 1*

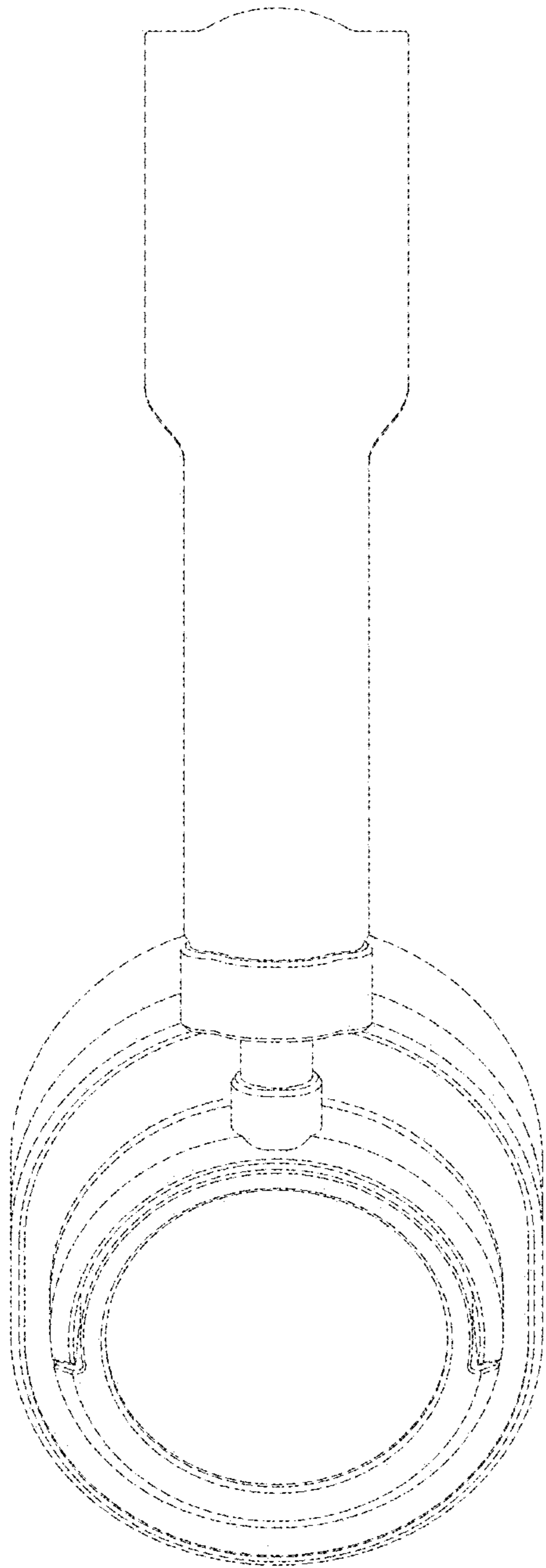




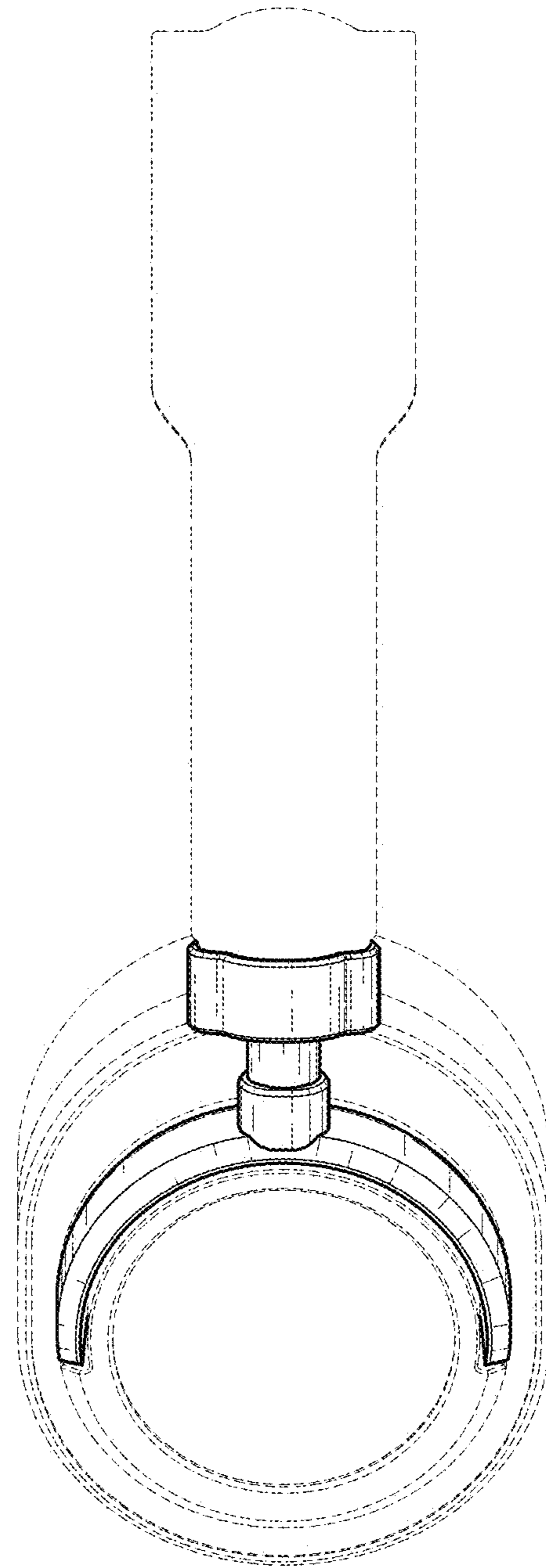
*Fig. 2*



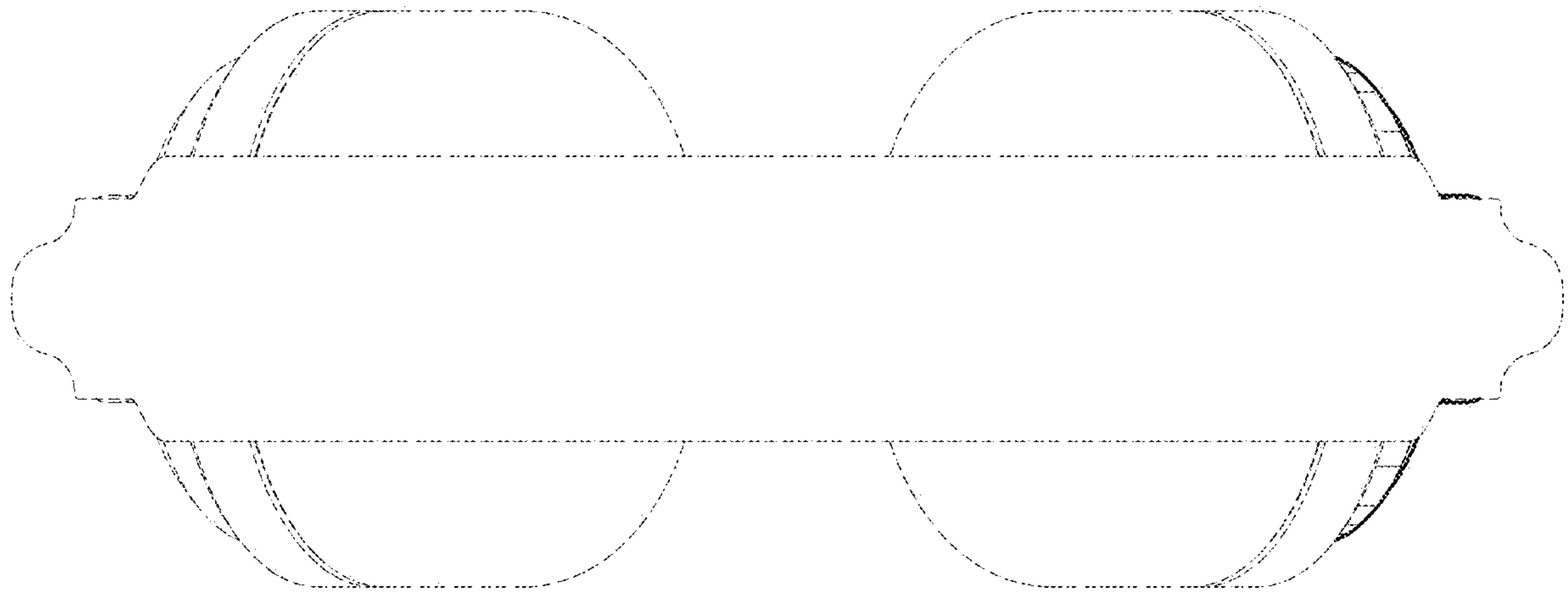
*Fig. 3*



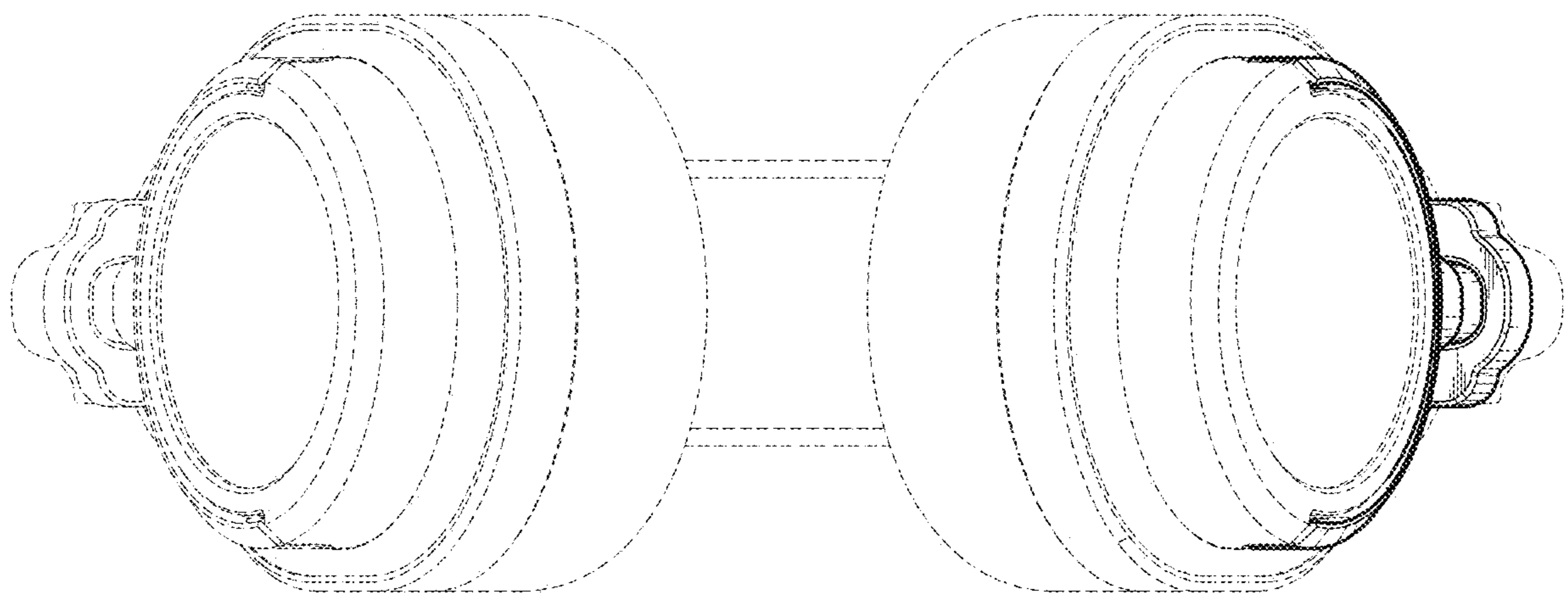
*Fig. 4*



*Fig. 5*



*Fig. 6*



*Fig. 7*