



US00D920281S

(12) **United States Design Patent** (10) **Patent No.:** **US D920,281 S**
DeLuna (45) **Date of Patent:** **** May 25, 2021**

(54) **LOUDSPEAKER**
(71) Applicant: **Harman International Industries, Incorporated**, Northridge, CA (US)
(72) Inventor: **Jose Tomas DeLuna**, Detroit, MI (US)
(73) Assignee: **Harman International Industries, Incorporated**, Northridge, CA (US)
(**) Term: **15 Years**

D591,729 S 5/2009 Natori
D593,072 S * 5/2009 Ichikawa D14/216
D593,073 S 5/2009 Kurihara
D608,764 S 1/2010 Oishi et al.
D668,635 S 10/2012 Endo et al.
D678,866 S 3/2013 Davies et al.
D680,100 S * 4/2013 Matsumura D14/216
D681,016 S * 4/2013 Ishinabe D14/224
D723,518 S 3/2015 Moon et al.
D732,005 S 6/2015 Davies
D754,103 S 4/2016 Fischer et al.
D844,587 S 4/2019 Lu

(21) Appl. No.: **29/704,250**
(22) Filed: **Sep. 3, 2019**
(51) **LOC (13) Cl.** **14-01**
(52) **U.S. Cl.**
USPC **D14/204**
(58) **Field of Classification Search**
USPC D14/170-172, 188, 203.1, 203.3, 204,
D14/348
CPC . H04R 1/02; H04R 1/023; H04R 5/02; H04R
7/00; H04R 7/02; H04R 9/06; H04R
2400/00
See application file for complete search history.

OTHER PUBLICATIONS

JBL Graphic Design, Audio Heritage, dated Feb. 7, 2002. Retrieved Sep. 18, 2019 from URL: <<https://web.archive.org/web/20020207075843/http://www.audioheritage.org/html/perspectives/graphics.htm>>.

(Continued)

Primary Examiner — Janice Patyk
(74) *Attorney, Agent, or Firm* — Plumsea Law Group, LLC

(57) **CLAIM**

The ornamental design for a loudspeaker, as shown and described.

(56) **References Cited**

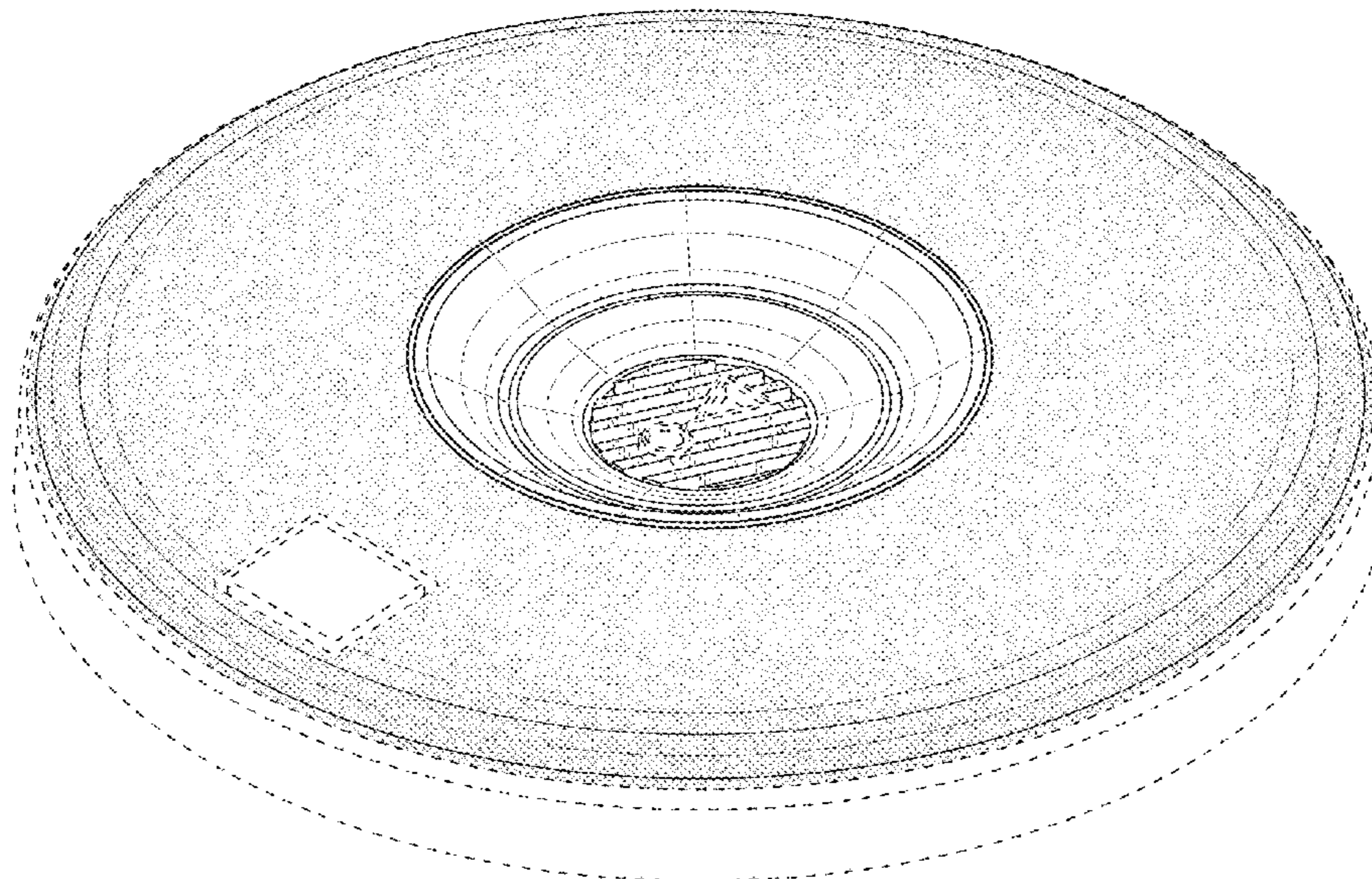
U.S. PATENT DOCUMENTS

D273,008 S * 3/1984 Ishizaki D14/215
D276,045 S 10/1984 Kawachi
4,837,839 A * 6/1989 Andrews H04R 1/24
181/146
6,282,297 B1 8/2001 Lin
D484,494 S * 12/2003 Feil D14/221
D489,359 S * 5/2004 Hakoda D14/215
6,766,027 B2 * 7/2004 Ryan H04R 1/26
181/144
D547,751 S 7/2007 Shiono
D549,692 S * 8/2007 Mizokawa D14/216
D551,209 S * 9/2007 Mizokawa D14/216
D563,946 S * 3/2008 Uehara D14/216
D582,393 S 12/2008 Yokoyama

DESCRIPTION

FIG. 1 is a top, front perspective view of a loudspeaker, showing my new design;
FIG. 2 is a front elevational view thereof;
FIG. 3 is a rear elevational view thereof;
FIG. 4 is a side elevational view thereof;
FIG. 5 is an opposite side elevational view thereof;
FIG. 6 is a top view thereof; and,
FIG. 7 is a bottom view thereof.
The broken lines illustrate portions of the loudspeaker that form no part of the claimed design.

1 Claim, 7 Drawing Sheets



(56)

References Cited

OTHER PUBLICATIONS

U.S. Trademark Registration No. 4531956, registered May 20, 2014.

2017 JBL Stadium Speaker Installation Manual.

2017 JBL Stadium Speakers Spec Sheet.

Design U.S. Appl. No. 29/704,229, filed Sep. 3, 2019.

Design U.S. Appl. No. 29/675,348, filed Dec. 31, 2018.

Design U.S. Appl. No. 29/704,231, filed Sep. 3, 2019.

Office Action dated May 12, 2020 in Design U.S. Appl. No. 29/675,348.

* cited by examiner

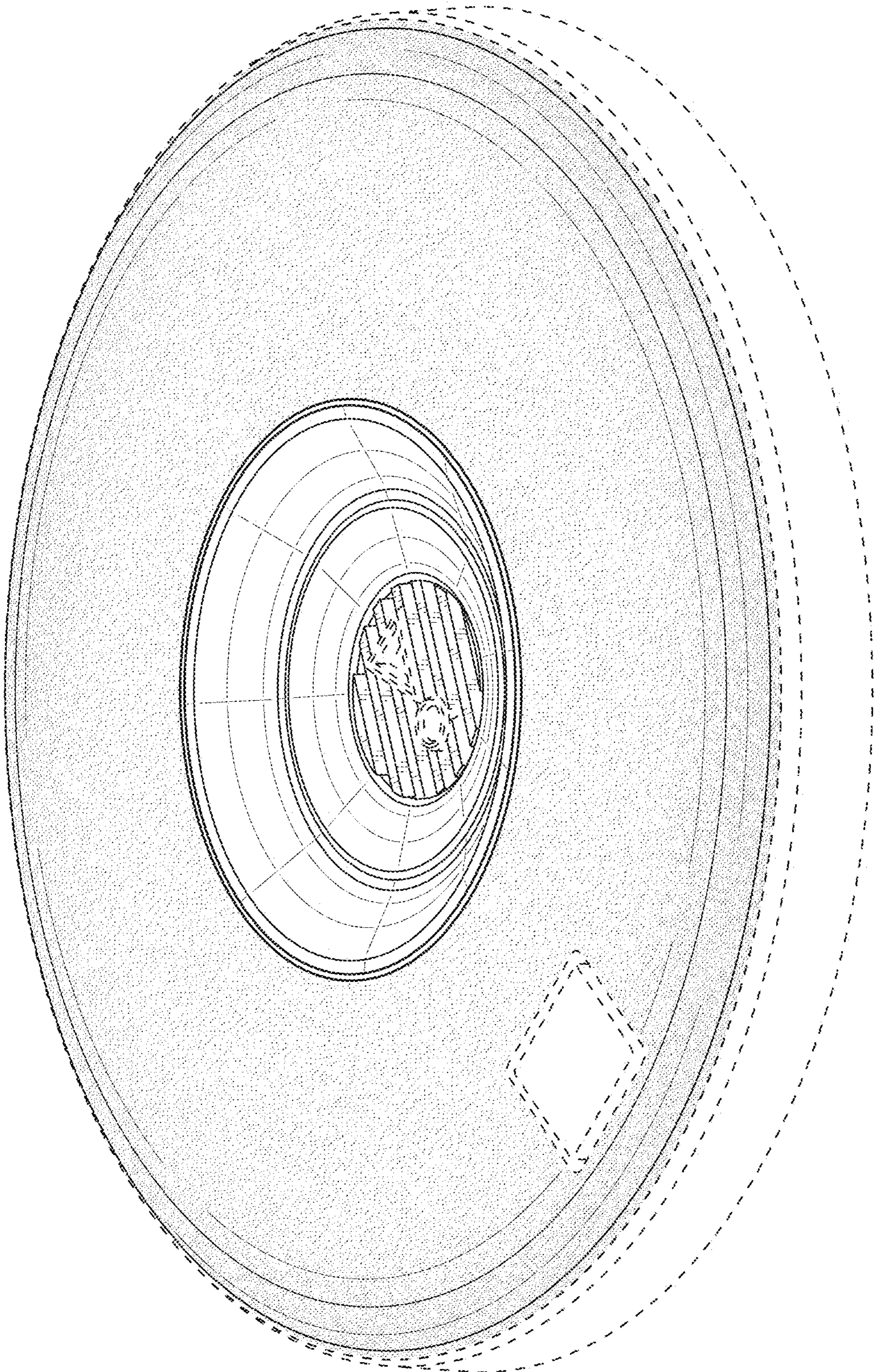


FIG. 1

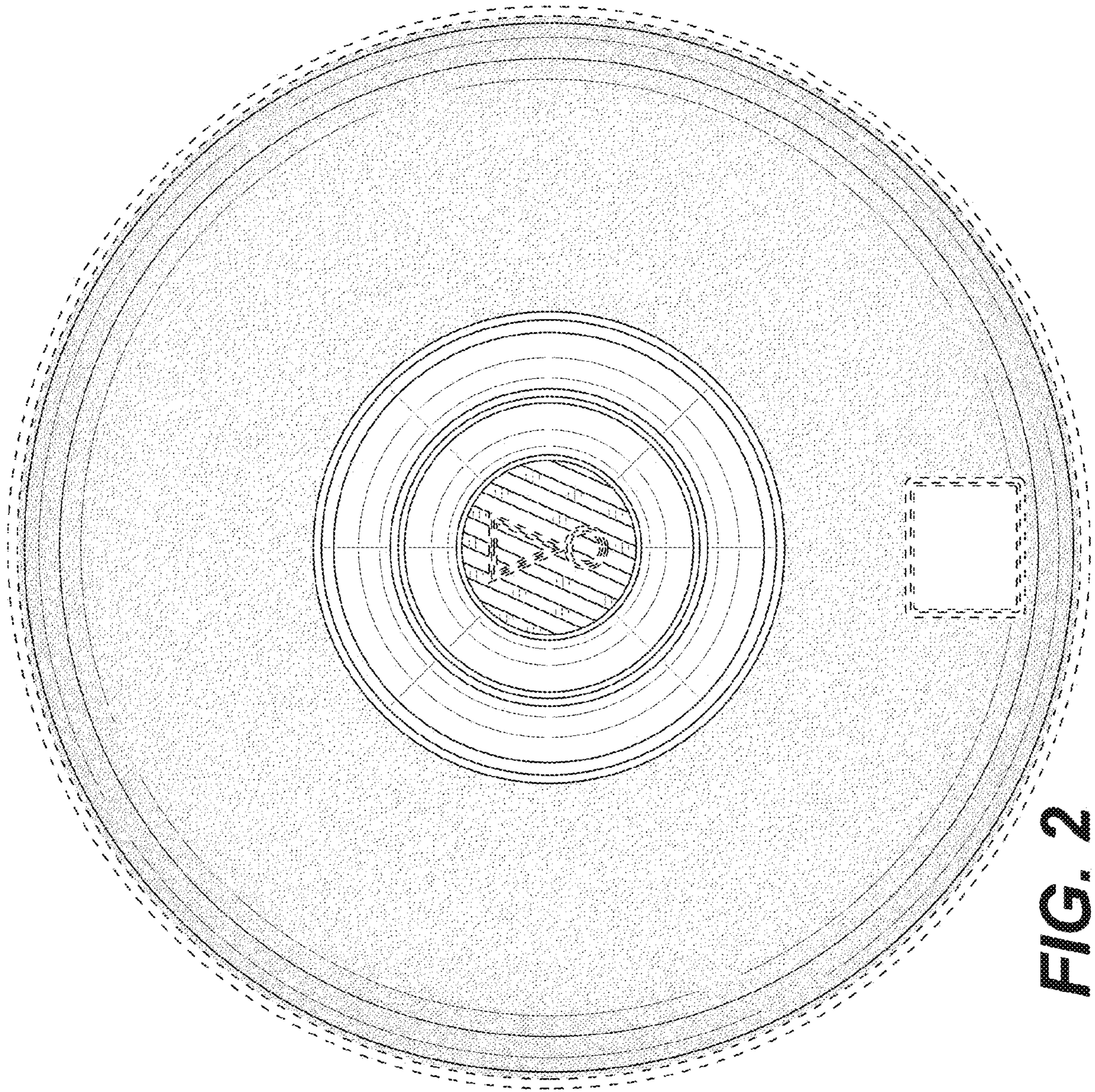


FIG. 2

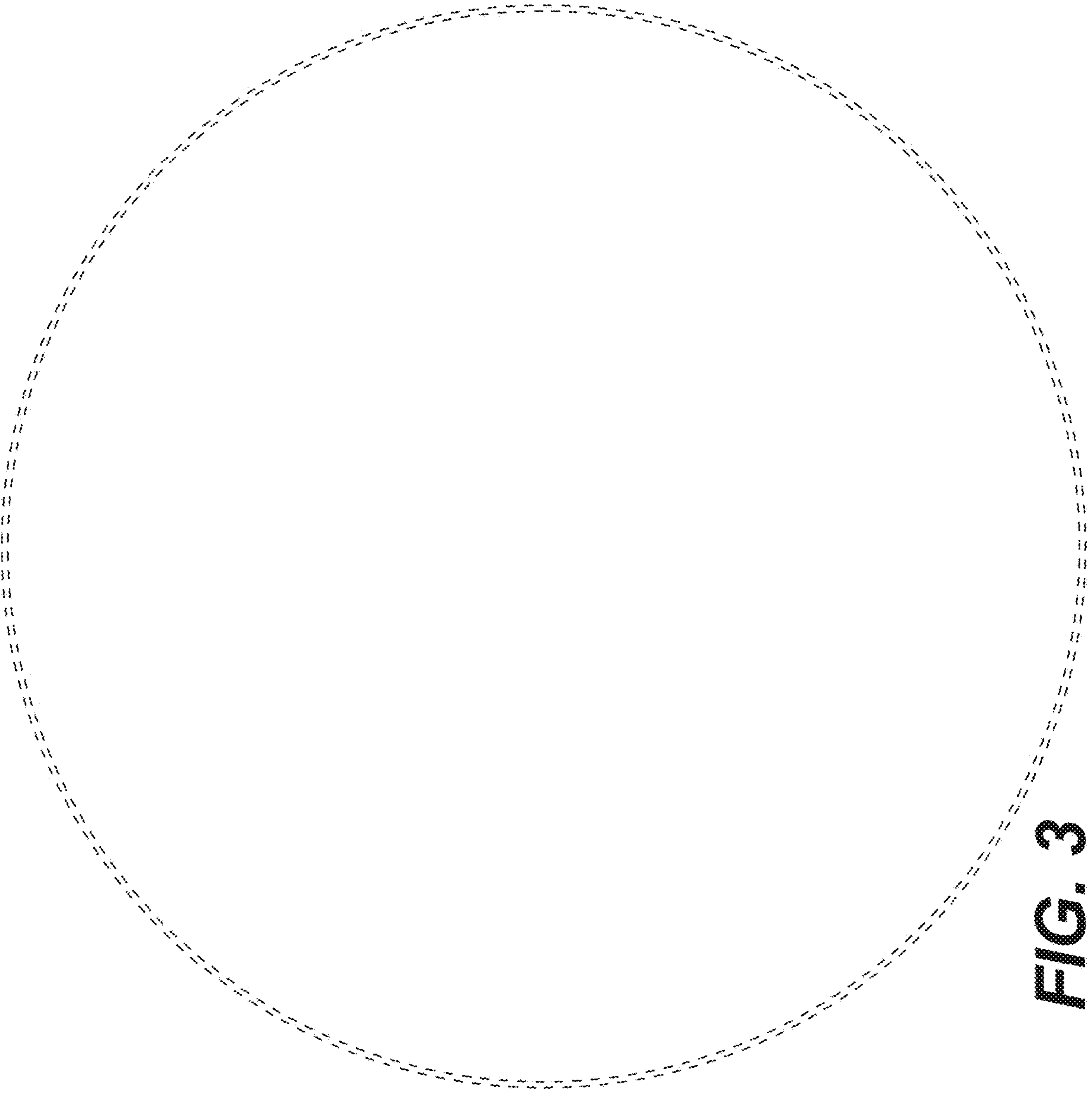


FIG. 3

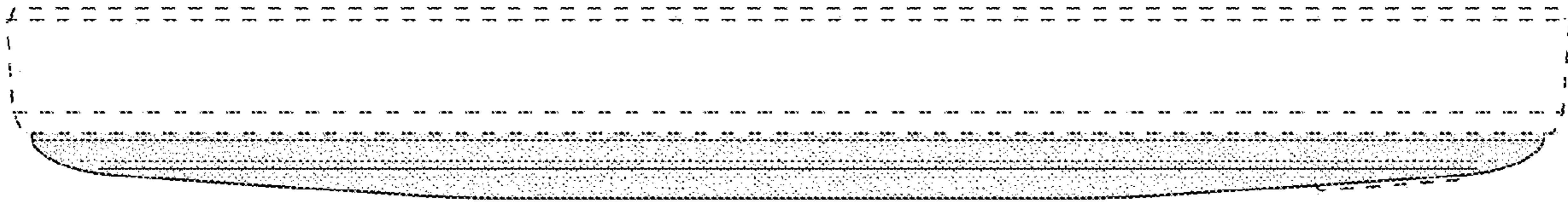


FIG. 4

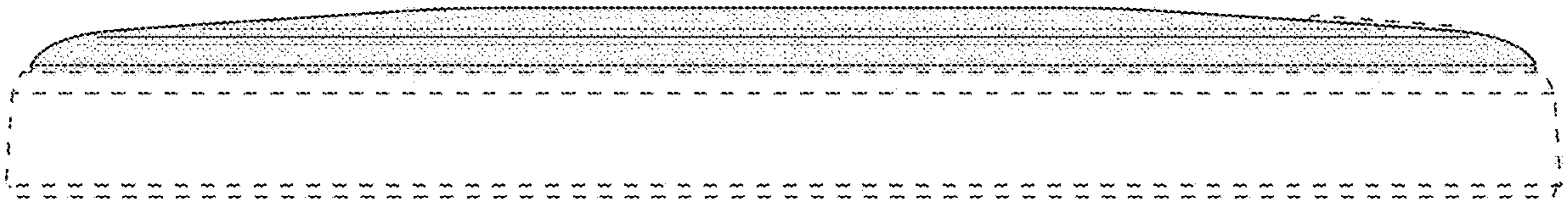


FIG. 5

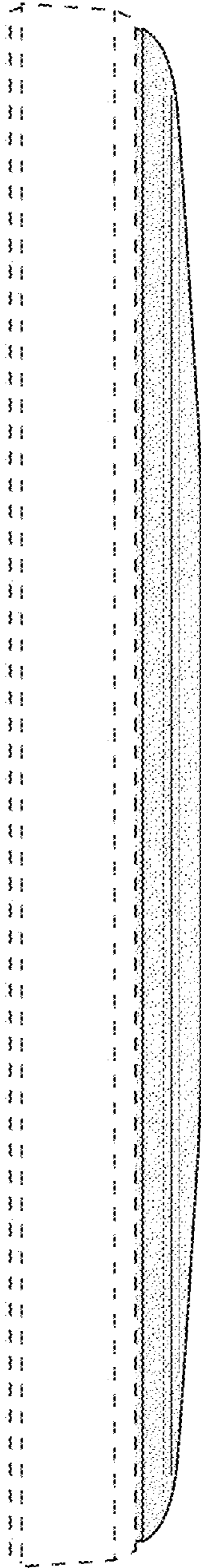


FIG. 6

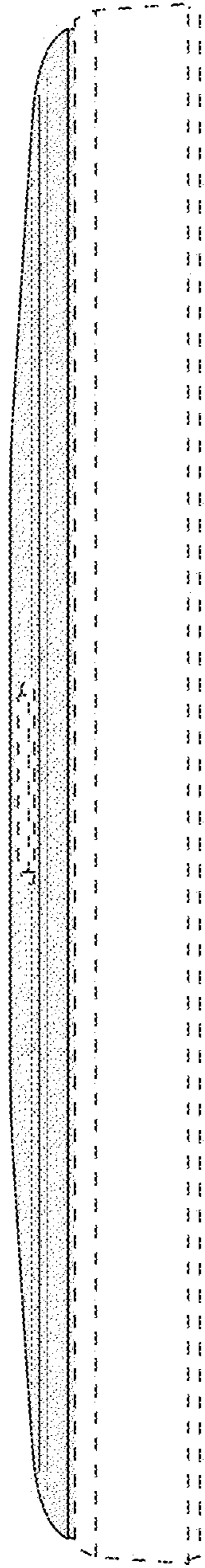


FIG. 7