



US00D920279S

(12) **United States Design Patent**  
**Sugiura**

(10) **Patent No.:** **US D920,279 S**

(45) **Date of Patent:** **\*\* May 25, 2021**

(54) **SPEAKER**

(71) Applicant: **YAMAHA CORPORATION**,  
Hamamatsu (JP)

(72) Inventor: **Yoshihisa Sugiura**, Buena Park, CA  
(US)

(73) Assignee: **YAMAHA CORPORATION**,  
Hamamatsu (JP)

(\*\*) Term: **15 Years**

(21) Appl. No.: **29/691,813**

(22) Filed: **May 20, 2019**

(51) **LOC (13) Cl.** ..... **14-01**

(52) **U.S. Cl.**  
USPC ..... **D14/204**

(58) **Field of Classification Search**  
USPC ..... D14/170–172, 188, 203.1, 203.3, 204,  
D14/348  
CPC . H04R 1/02; H04R 1/023; H04R 5/02; H04R  
7/00; H04R 7/02; H04R 9/06; H04R  
2400/00  
See application file for complete search history.

(56) **References Cited**

**U.S. PATENT DOCUMENTS**

D660,284 S \* 5/2012 Carbone ..... D14/214  
D669,883 S \* 10/2012 Cheng ..... D14/214

D681,009 S \* 4/2013 Meng ..... D14/214  
D688,231 S \* 8/2013 Nishii ..... D14/214  
D721,352 S \* 1/2015 Kusano ..... D14/214  
D757,001 S \* 5/2016 Kim ..... D14/344  
D760,685 S \* 7/2016 Sugiura ..... D14/204  
D800,693 S \* 10/2017 Sugiura ..... D14/214  
D800,694 S \* 10/2017 Sugiura ..... D14/214  
D826,207 S \* 8/2018 Kim ..... D14/204

\* cited by examiner

*Primary Examiner* — Janice Patyk

(74) *Attorney, Agent, or Firm* — Sughrue Mion, PLLC

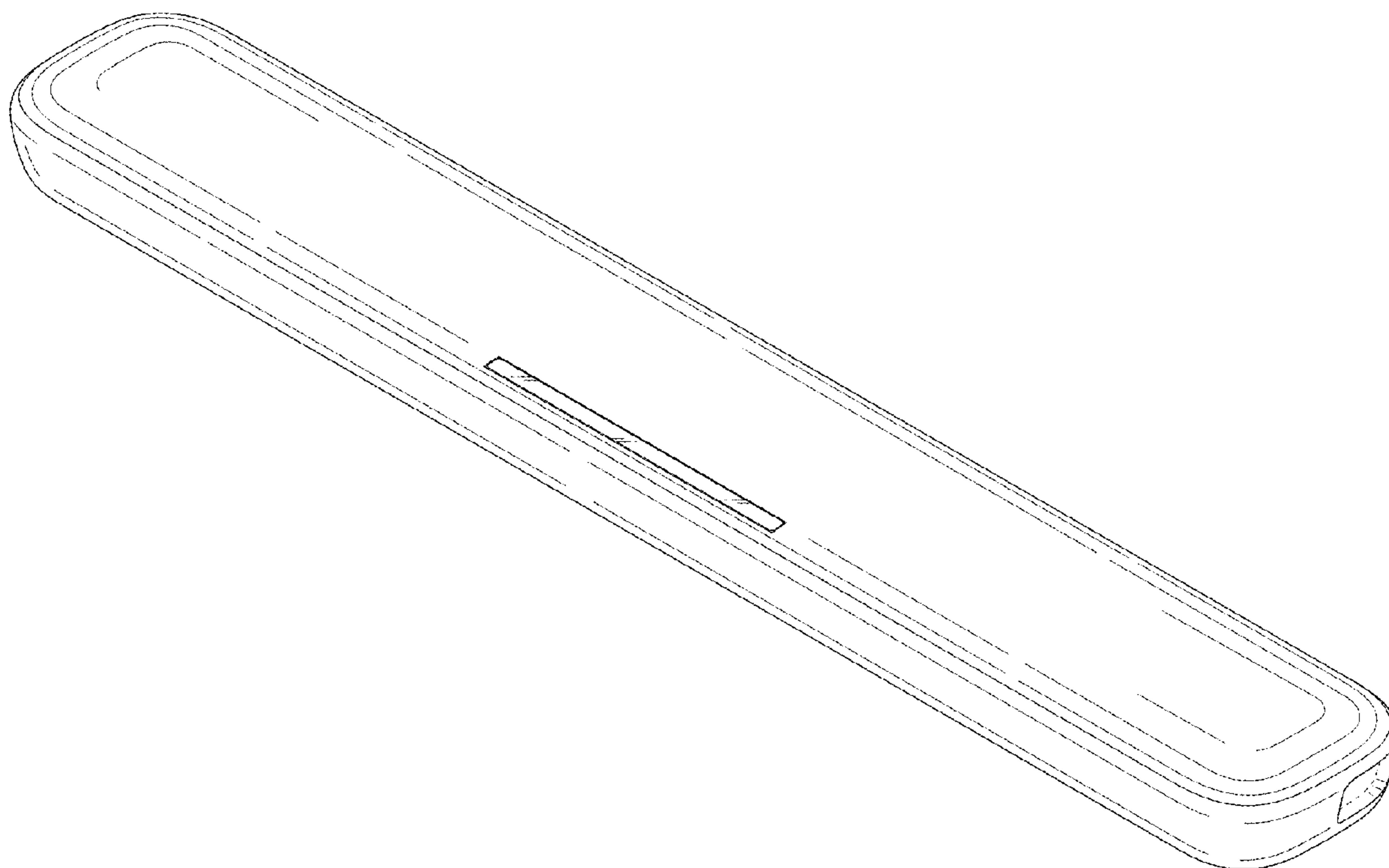
(57) **CLAIM**

The ornamental design for a speaker, as shown and described.

**DESCRIPTION**

FIG. 1 is a front, right side, top perspective view of a speaker, showing my new design;  
FIG. 2 is a front view thereof;  
FIG. 3 is a rear view thereof;  
FIG. 4 is a left side view thereof;  
FIG. 5 is a right side view thereof;  
FIG. 6 is a top view thereof; and,  
FIG. 7 is a bottom view thereof.  
The broken lines in the figures illustrate the portions of the design that form no part of the claimed design.

**1 Claim, 3 Drawing Sheets**



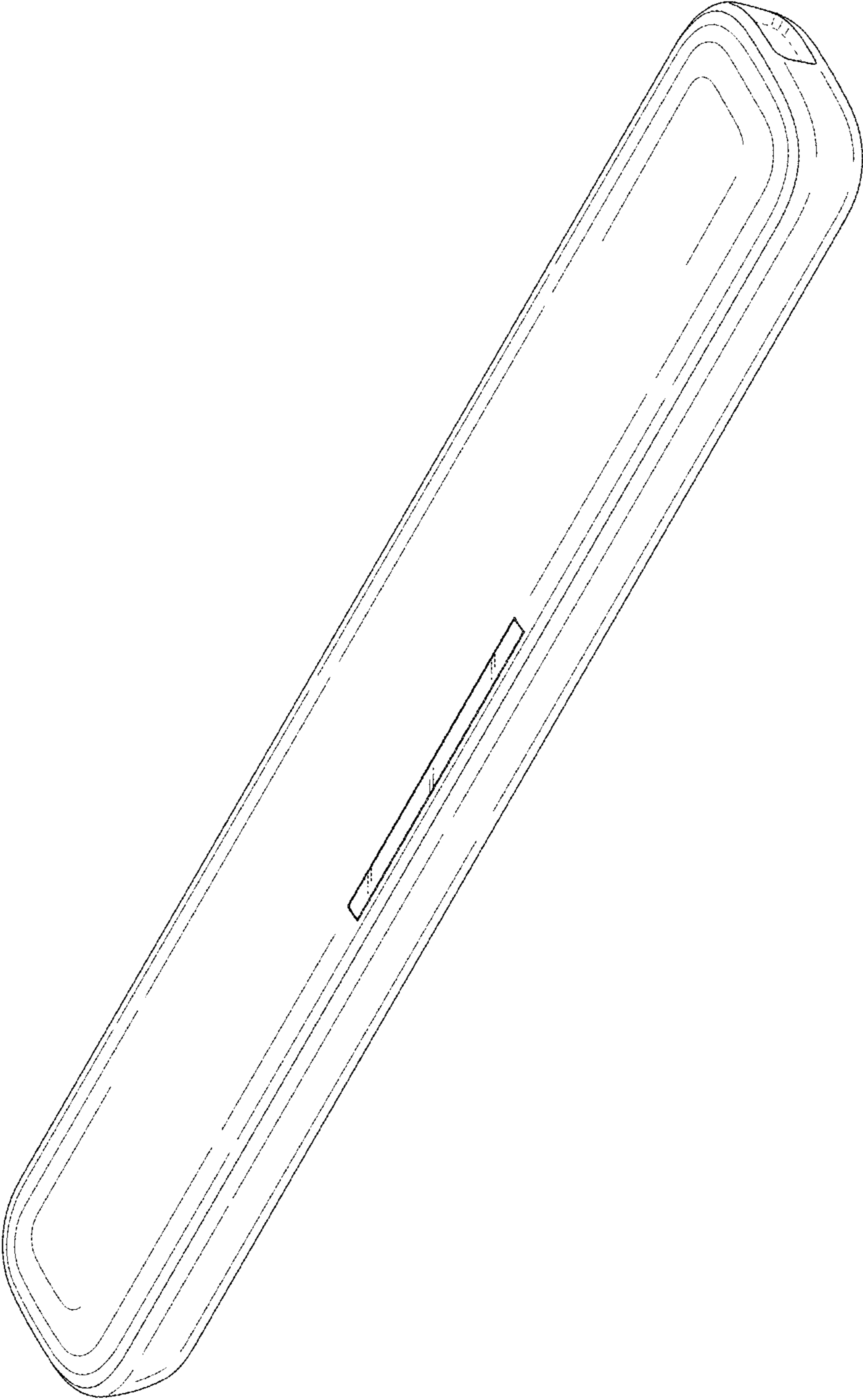


FIG. 1

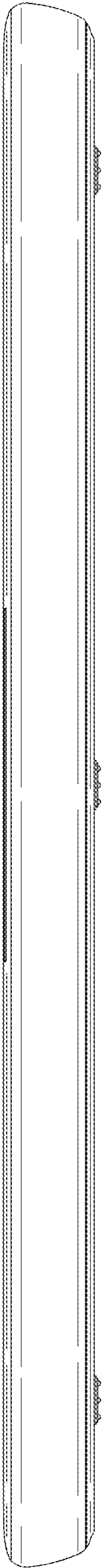


FIG. 2

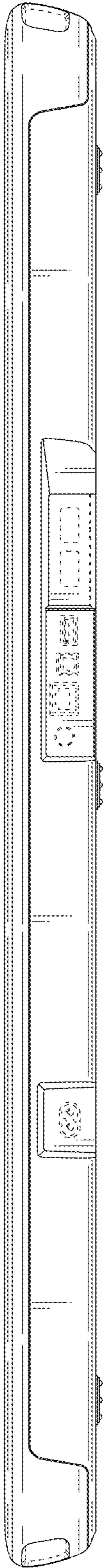


FIG. 3

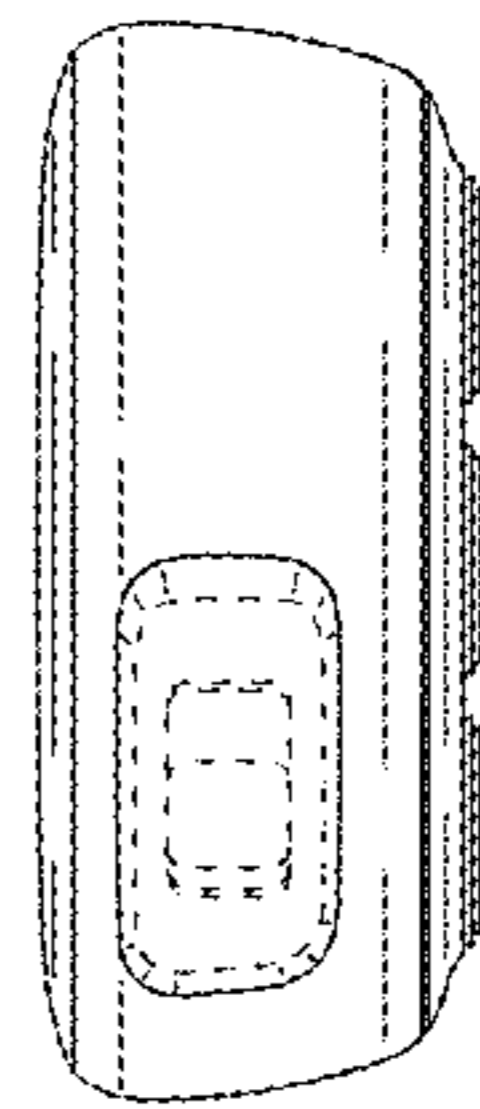


FIG. 4

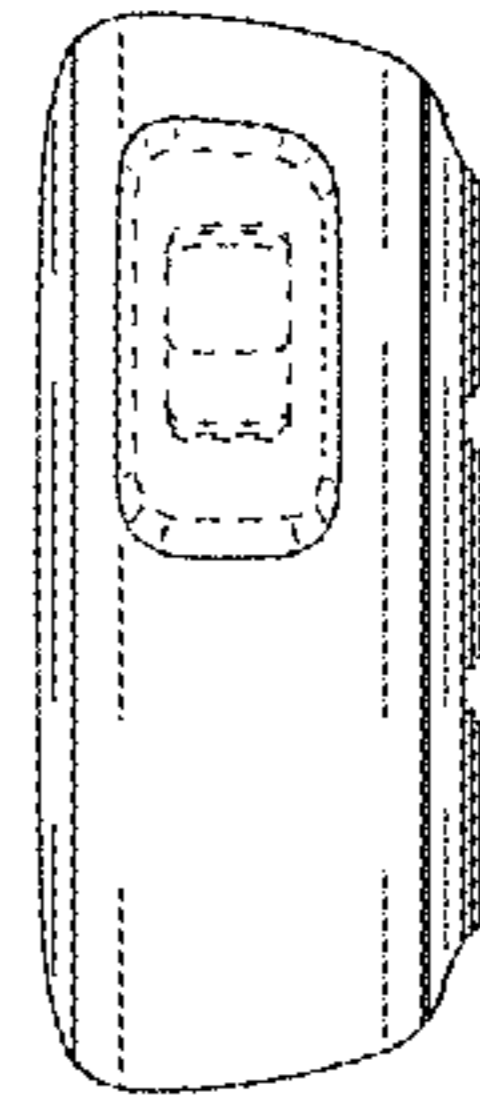


FIG. 5

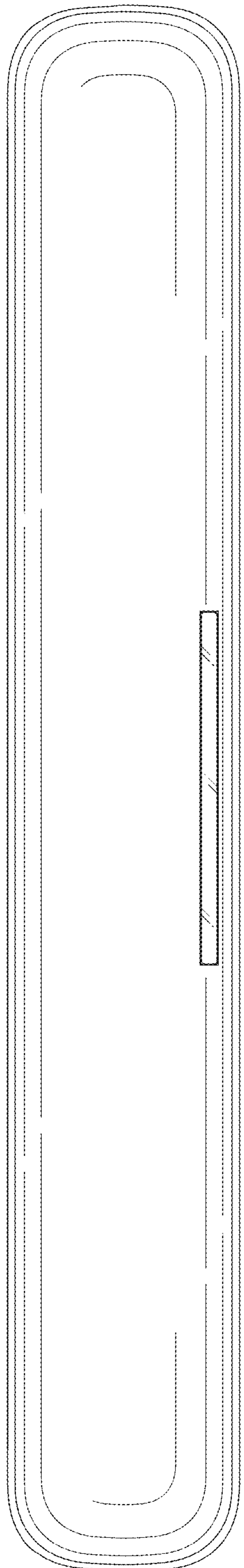


FIG. 6

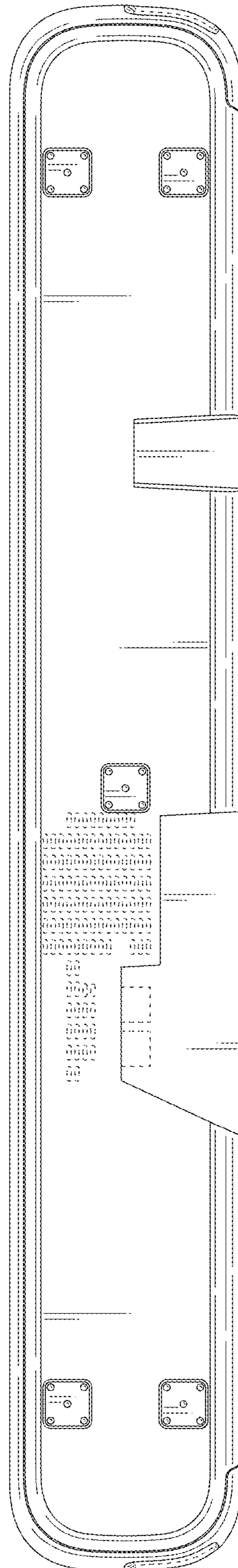


FIG. 7