



US00D920277S

(12) **United States Design Patent**
Jungco

(10) **Patent No.:** **US D920,277 S**

(45) **Date of Patent:** **** May 25, 2021**

(54) **AUDIO PLAYER**

(71) Applicant: **KIDS2, INC.**, Atlanta, GA (US)

(72) Inventor: **Igan Jungco**, New Territories (HK)

(73) Assignee: **KIDS2, INC.**, Atlanta, GA (US)

(**) Term: **15 Years**

(21) Appl. No.: **29/697,940**

(22) Filed: **Jul. 12, 2019**

(51) **LOC (13) Cl.** **14-01**

(52) **U.S. Cl.**

USPC **D14/203.2**

(58) **Field of Classification Search**

USPC D14/496-511, 159, 168-172, 188-196,
D14/203.1-203.8, 204-207, 209.1-216,
D14/217; D16/203

CPC B60K 35/00; B60K 37/00; B60K 37/02;
B60K 37/06; B60R 11/02; G11B 17/02;
G11B 17/04; H04R 5/023

See application file for complete search history.

(56) **References Cited**

U.S. PATENT DOCUMENTS

2,259,629	A	10/1941	Fisher	
D290,843	S	7/1987	Murphy	
D324,387	S *	3/1992	Johnson	D14/207
D345,161	S	3/1994	Murphy	
5,803,786	A	9/1998	McCormick	
6,116,983	A	9/2000	Long et al.	
D484,427	S *	12/2003	Ng	D14/159
6,716,031	B2	4/2004	Wood et al.	
7,227,965	B1	6/2007	Sutton	
7,521,623	B2	4/2009	Bowen	
7,737,353	B2	6/2010	Sasaki et al.	
D633,084	S *	2/2011	Chen	D14/168
D664,564	S	7/2012	Gillett et al.	
8,515,092	B2	8/2013	Rucker	
D698,749	S *	2/2014	Brunner	D14/206

8,819,533	B2	8/2014	Trotto et al.	
8,858,453	B2	10/2014	Asukai et al.	
9,510,693	B2	12/2016	Cordier et al.	
9,533,235	B2	1/2017	Chen	
9,607,594	B2	3/2017	Chon et al.	
D789,328	S *	6/2017	Hwan	D14/207
10,032,441	B2	7/2018	Lyske	

(Continued)

FOREIGN PATENT DOCUMENTS

CA	2503698	A1	9/2006
CA	2728410	A1	12/2009

(Continued)

OTHER PUBLICATIONS

Invitation to Pay Additional Fees and partial International Search Report for PCT/US2019/033909; dated Sep. 5, 2019; 15 pgs.

Primary Examiner — Katie Jane Stofko

(74) *Attorney, Agent, or Firm* — Gardner Groff & Greenwald, PC

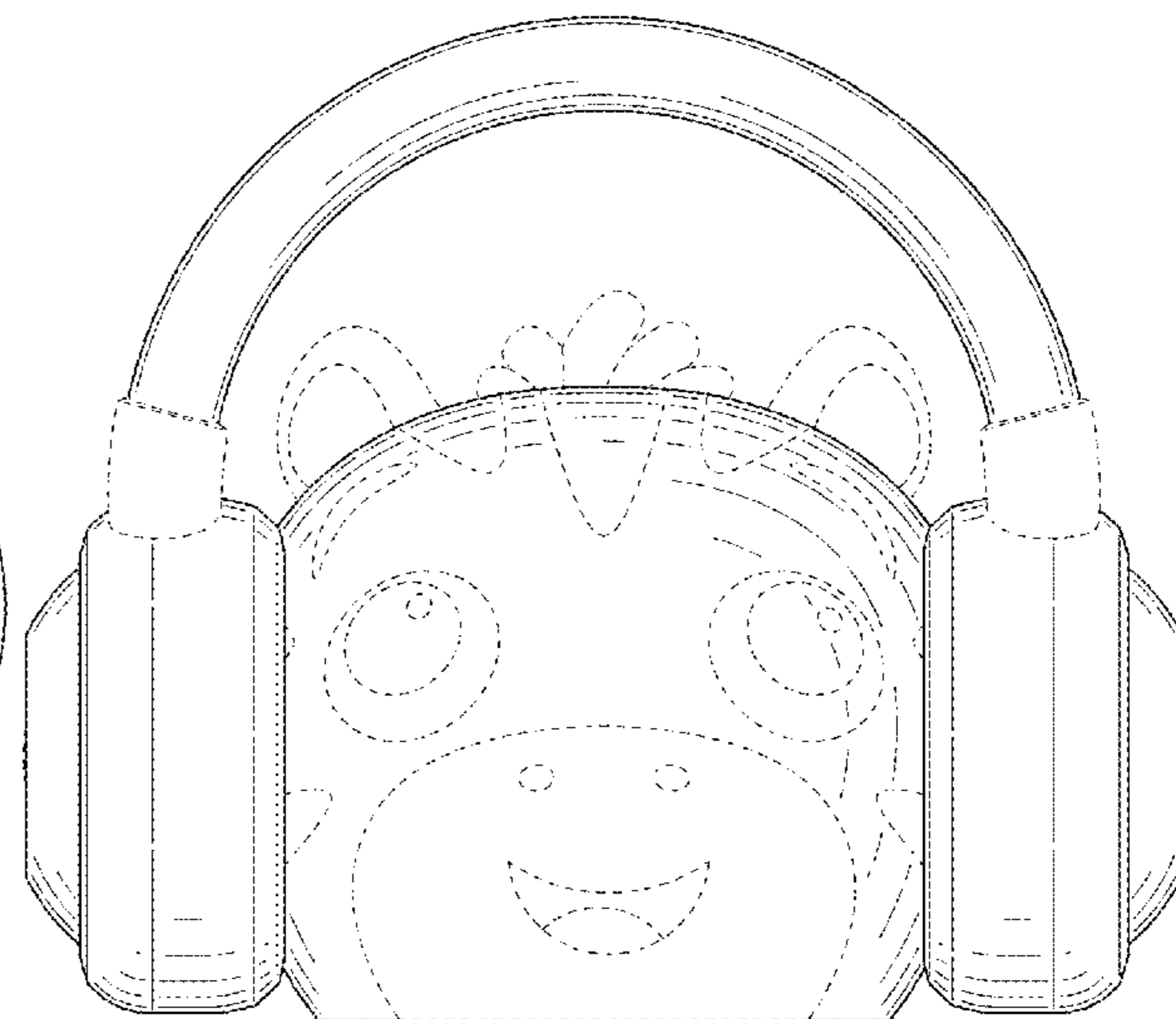
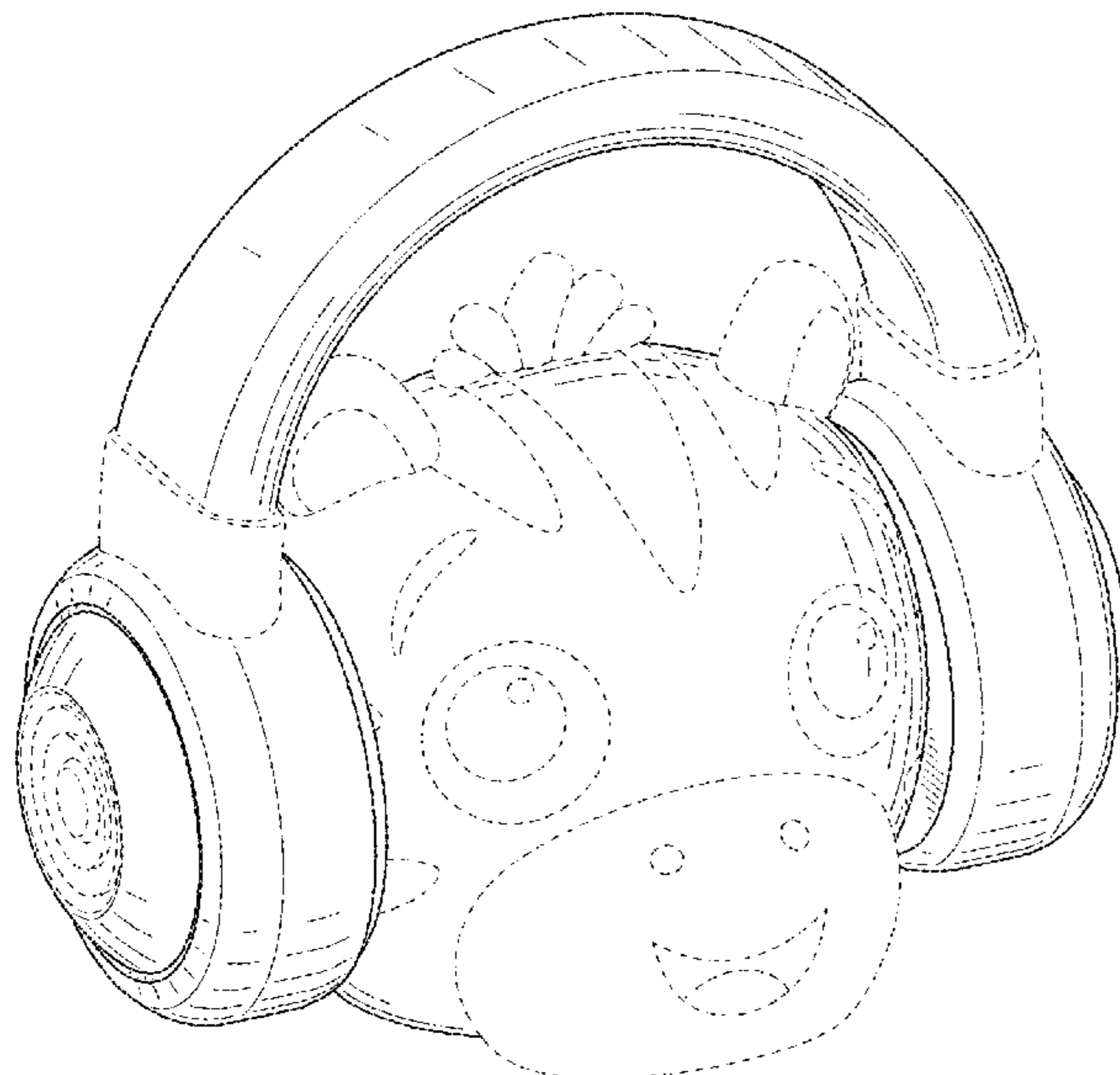
(57) **CLAIM**

The ornamental design for an audio player, as shown and described.

DESCRIPTION

FIG. 1 is a perspective view of an audio player according to the present invention;
FIG. 2 is another perspective view thereof;
FIG. 3 is a front elevation view thereof;
FIG. 4 is a rear elevation view thereof;
FIG. 5 is a left side elevation view thereof;
FIG. 6 is a right side elevation view thereof;
FIG. 7 is a top plan view thereof; and,
FIG. 8 is a bottom plan view thereof.
The broken lines shown in the drawings illustrate portions of the audio player that form no part of the claimed design.

1 Claim, 4 Drawing Sheets



(56)

References Cited

U.S. PATENT DOCUMENTS

D832,813 S * 11/2018 Levine D14/205
D836,698 S * 12/2018 Hathway D16/203
10,152,957 B2 12/2018 Lenhart
D843,345 S * 3/2019 Brunner D14/205
10,258,761 B2 4/2019 Smudde
10,518,161 B2 12/2019 Asukai et al.
2013/0295817 A1 11/2013 Weber et al.
2015/0195494 A1 7/2015 Alvarez
2016/0058201 A1 3/2016 Pavkov et al.
2018/0166053 A1 6/2018 Turner
2019/0357697 A1 11/2019 Zufi et al.

FOREIGN PATENT DOCUMENTS

CN 1070071 A 3/1993
EP 0517540 A2 12/1992
WO 2005082472 A1 9/2005
WO 2006085237 A1 8/2006
WO 2007044329 A2 4/2007
WO 2010102083 A1 9/2010
WO 2011100441 A1 8/2011

* cited by examiner

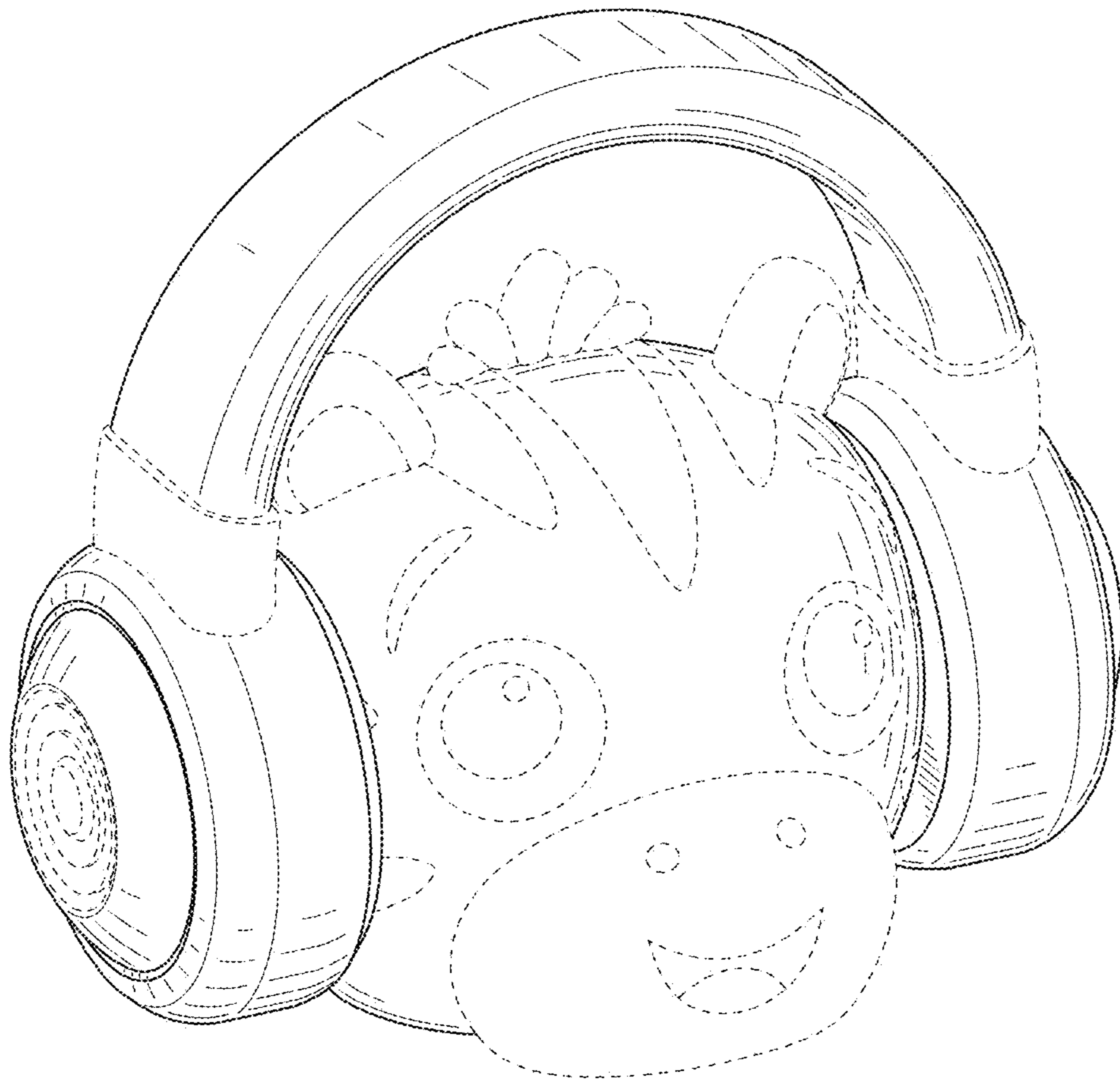


FIG. 1

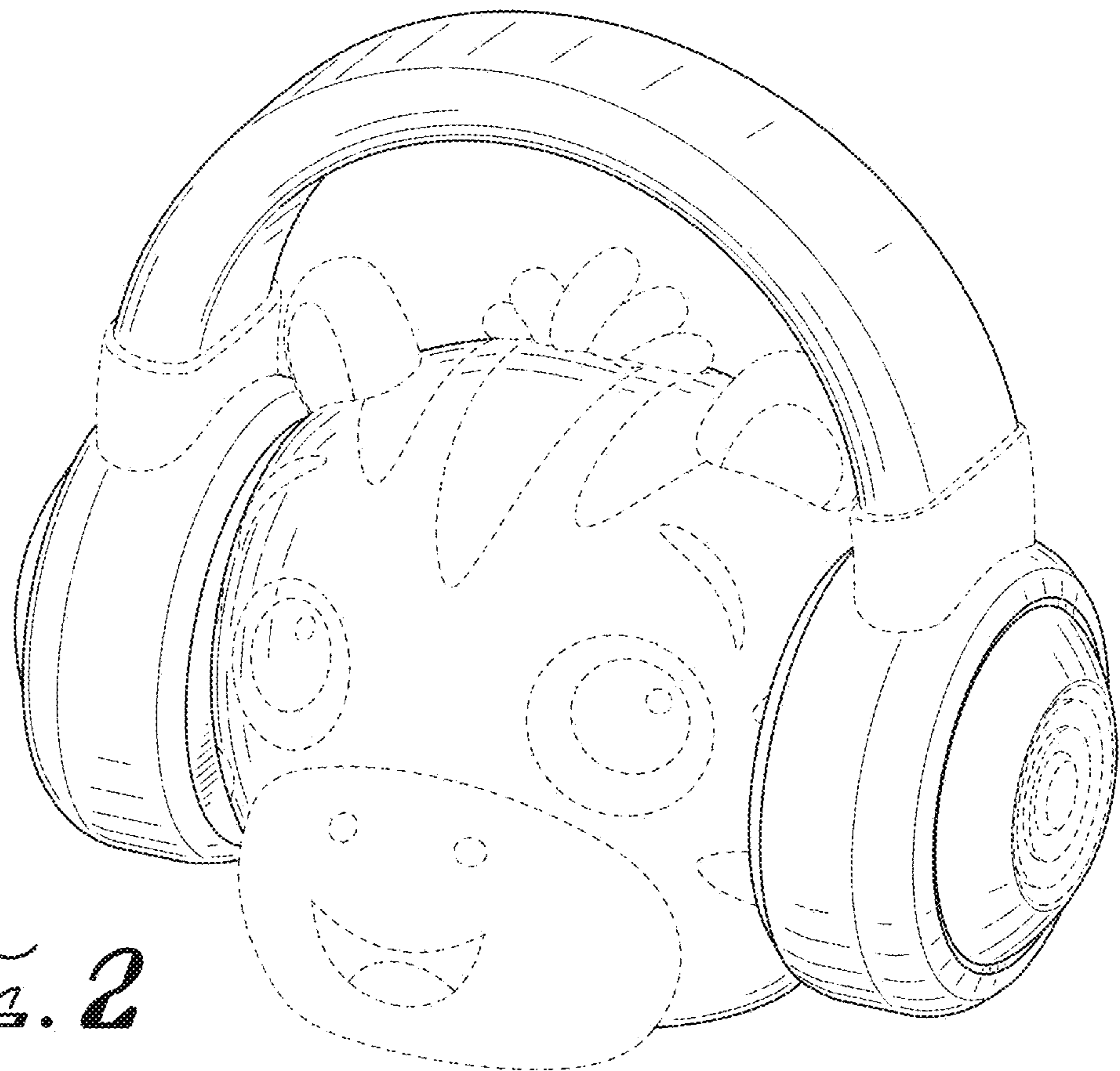


FIG. 2



FIG. 3

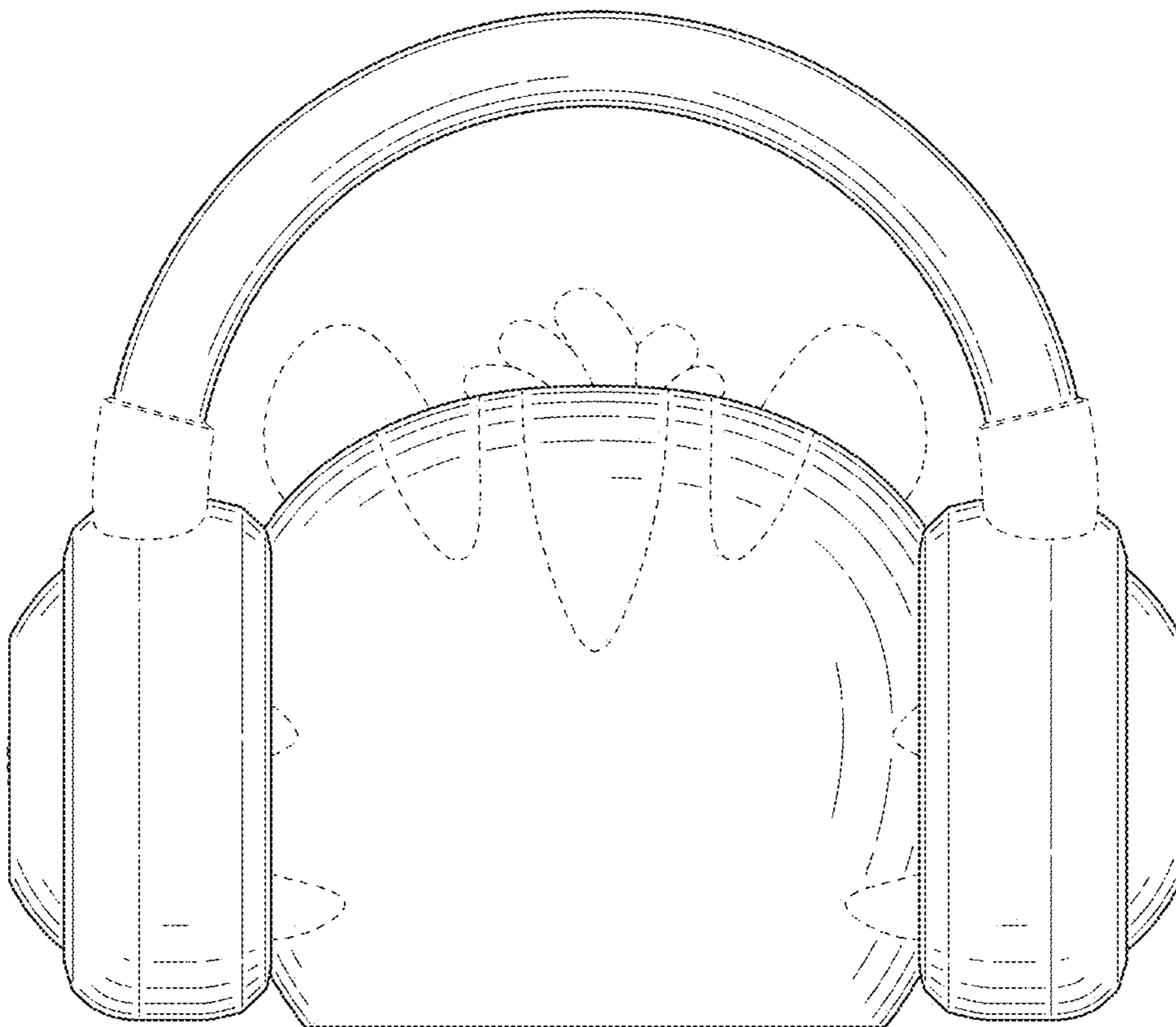


FIG. 4

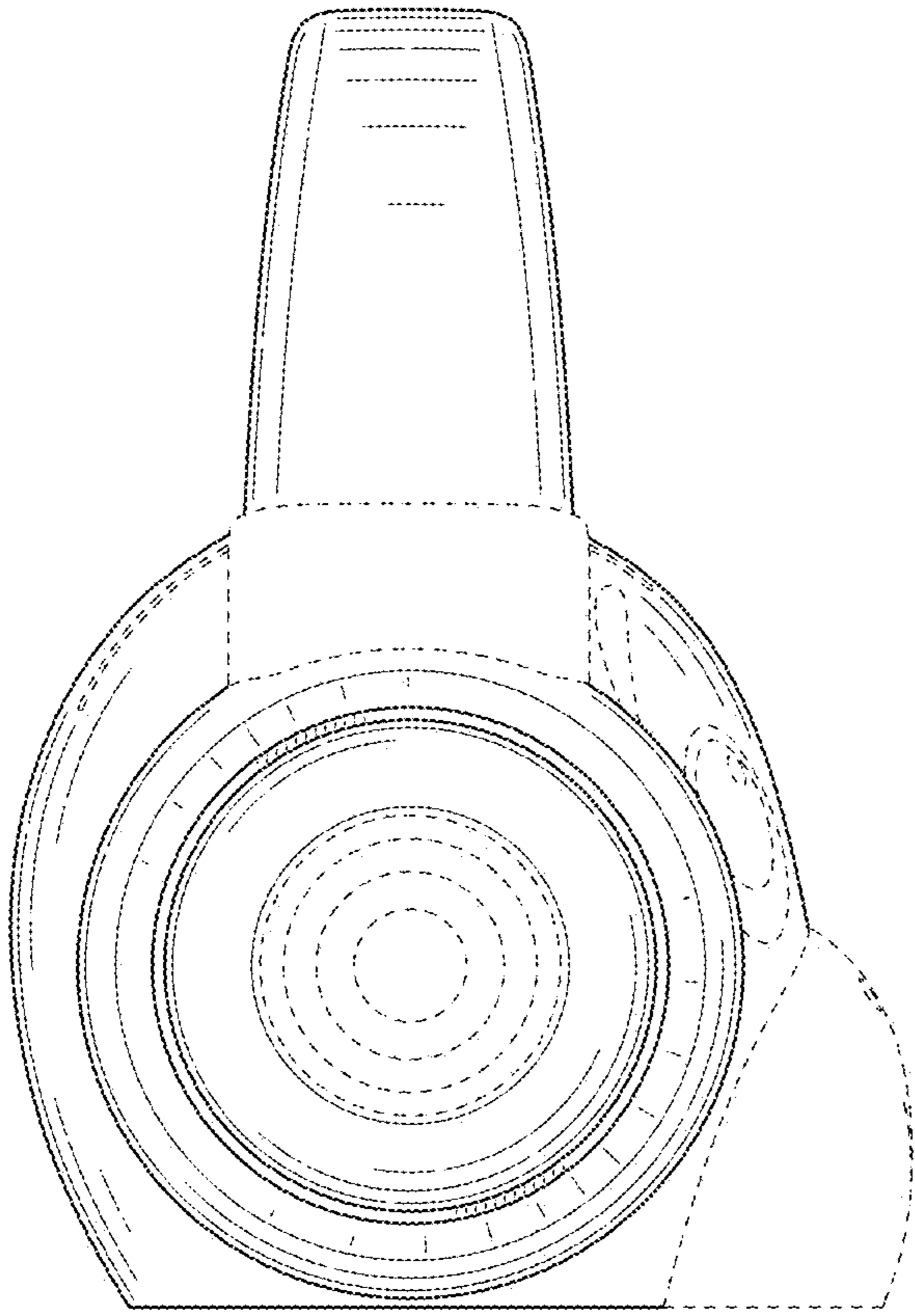


FIG. 5

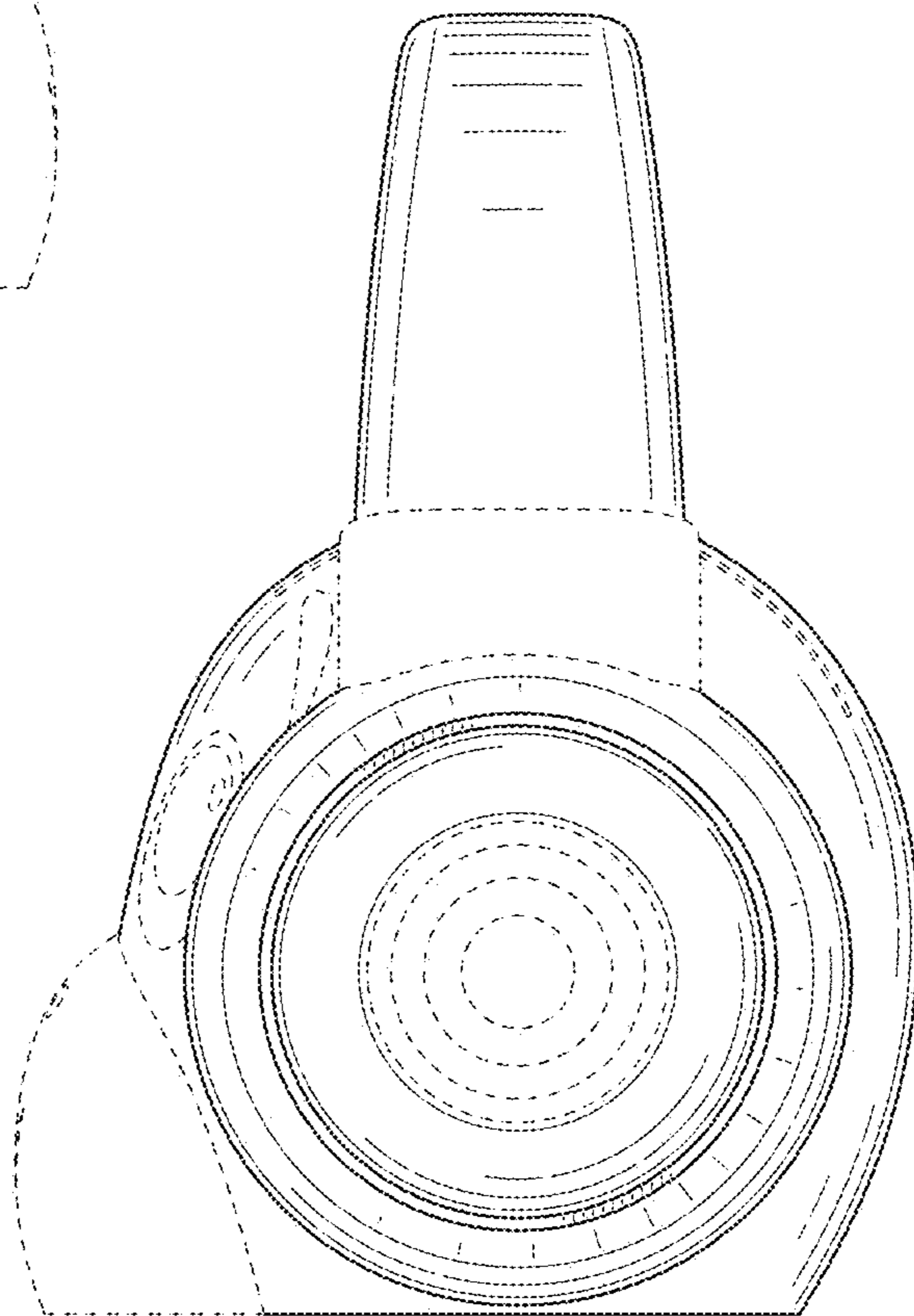


FIG. 6

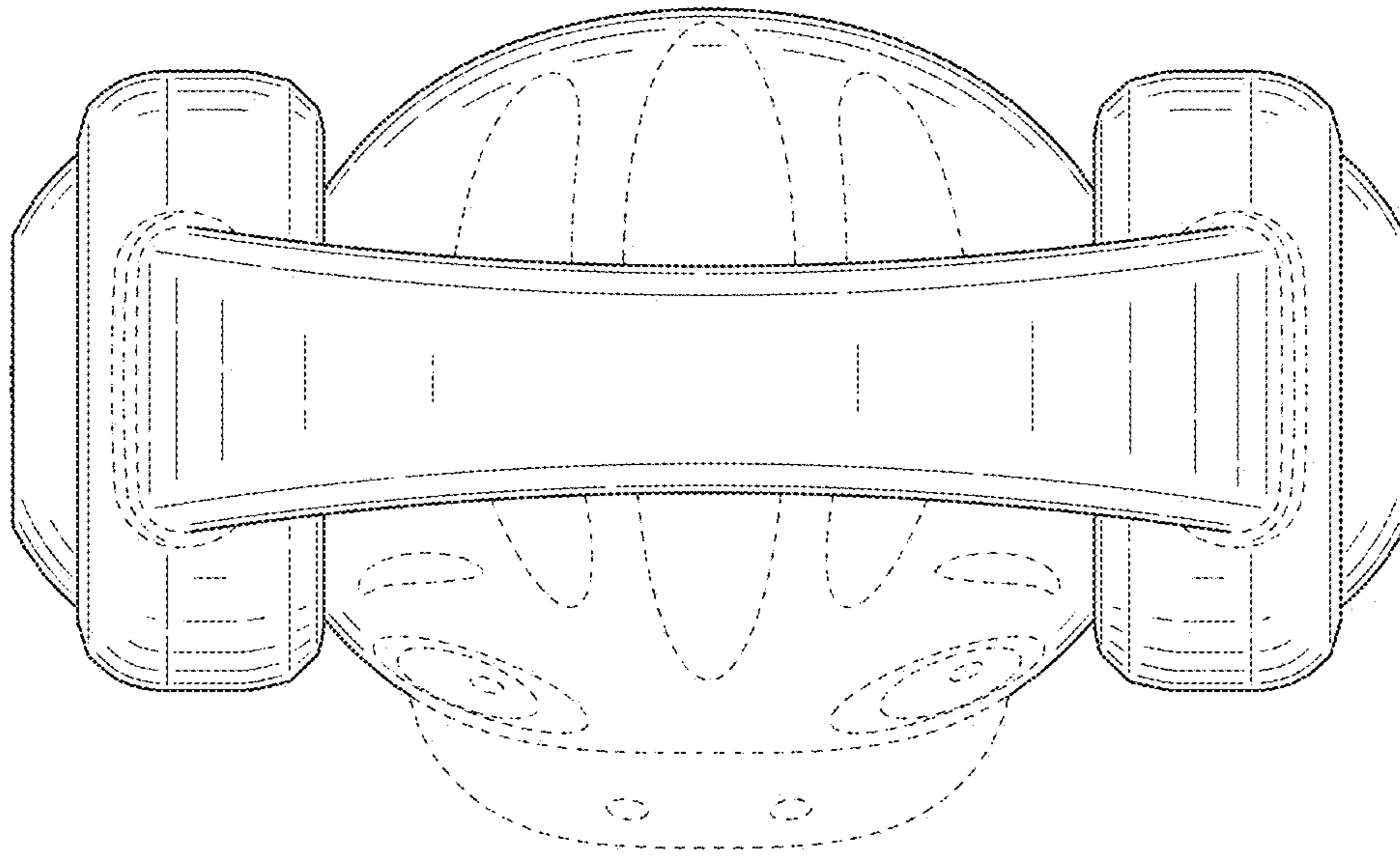


FIG. 7

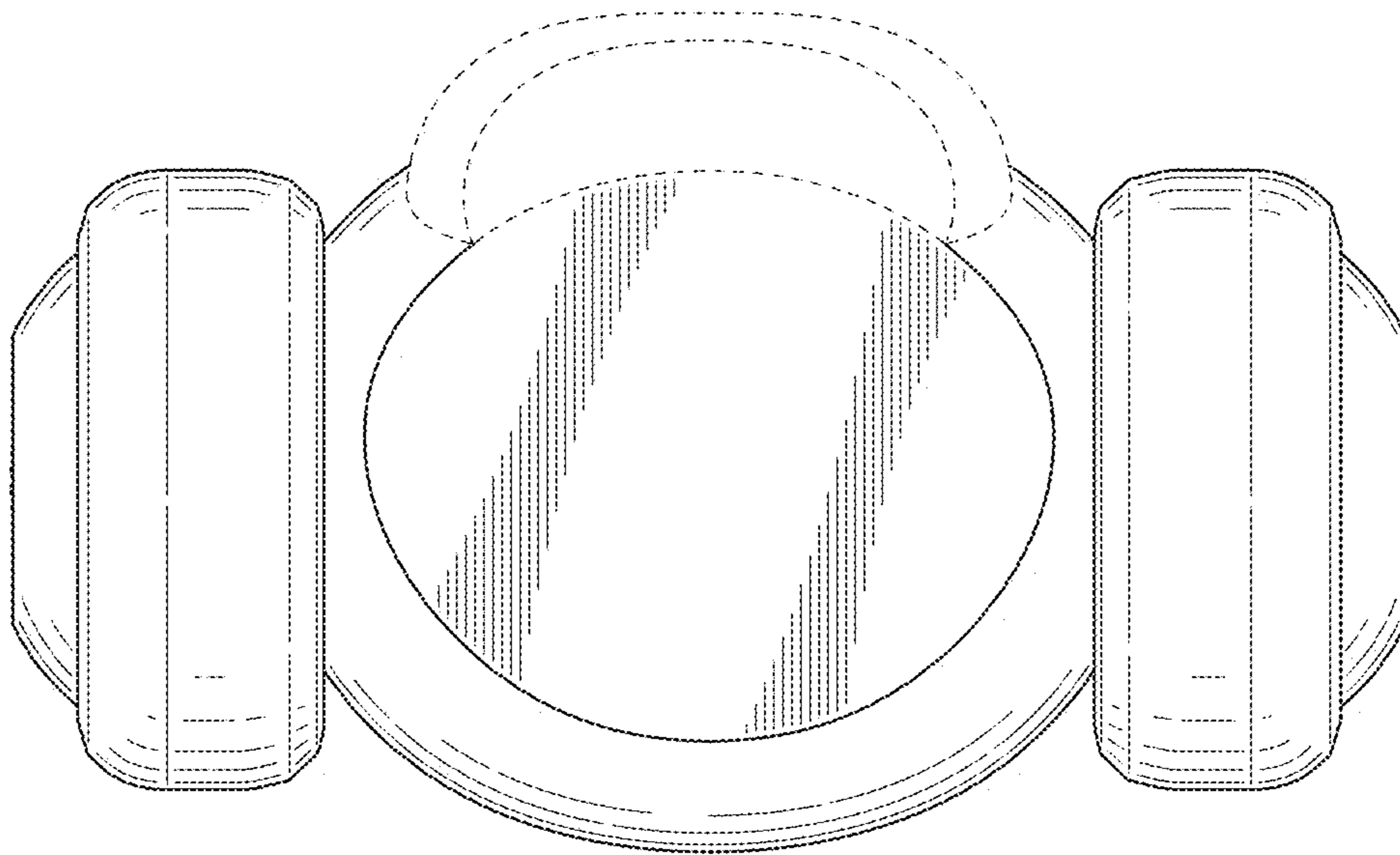


FIG. 8