



US00D920270S

(12) **United States Design Patent**
Xiao et al.

(10) **Patent No.: US D920,270 S**
(45) **Date of Patent: ** May 25, 2021**

(54) **WALKIE-TALKIE**
(71) Applicant: **BEIJING XIAOMI MOBILE SOFTWARE CO., LTD.,** Beijing (CN)

D309,136 S * 7/1990 Siddoway D14/137
D311,536 S * 10/1990 Reeves D14/137
D322,251 S * 12/1991 Siddoway D14/137
5,265,264 A * 11/1993 Dzung H04B 1/3883
455/234.1

(Continued)

(72) Inventors: **Yanlin Xiao,** Beijing (CN); **You Zhou,** Beijing (CN)

FOREIGN PATENT DOCUMENTS

(73) Assignee: **BEIJING XIAOMI MOBILE SOFTWARE CO., LTD,** Beijing (CN)

GB 2280322 A * 1/1995 H01Q 1/244

OTHER PUBLICATIONS

(**) Term: **15 Years**

Li et al., CN Design No. 304232381, published at Orbit, publication date Aug. 4, 2017. Site visited May 3, 2020. Available from Internet. (Year: 2017).*

(21) Appl. No.: **35/507,257**

(Continued)

(22) Filed: **Sep. 28, 2018**

(80) **Hague Agreement Data**

Int. Filing Date: **Sep. 28, 2018**
Int. Reg. No.: **DM/202225**
Int. Reg. Date: **Sep. 28, 2018**
Int. Reg. Pub. Date: **Aug. 16, 2019**

Primary Examiner — George D. Kirschbaum
Assistant Examiner — Kathleen L Jones
(74) *Attorney, Agent, or Firm* — Dickinson Wright PLLC

(57) **CLAIM**

The ornamental design for a walkie-talkie, as shown and described.

(30) **Foreign Application Priority Data**

Mar. 28, 2018 (CN) 201830118918.5

DESCRIPTION

(51) **LOC (13) Cl.** **14-03**

(52) **U.S. Cl.**
USPC **D14/137**

(58) **Field of Classification Search**
USPC D14/137, 138 AA, 159, 138 R, 138 AD, D14/203.5, 203.7, 147-148
CPC .. H04B 1/3833; H04B 1/3827; H04B 1/3855; H04B 2001/3861; H04M 1/0202; H04M 1/03; H04M 1/035
See application file for complete search history.

- 1. Walkie-talkie
- 1.1 : Front
- 1.2 : Back
- 1.3 : Left
- 1.4 : Right
- 1.5 : Top
- 1.6 : Bottom
- 1.7 : Perspective

1.1 is a front elevation view of a walkie-talkie showing our new design; 1.2 is a back elevation view thereof; 1.3 is a left side elevation view thereof; 1.4 is a right side elevation view thereof; 1.5 is a top plan view thereof; 1.6 is a bottom plan view thereof; and 1.7 is a perspective view thereof.

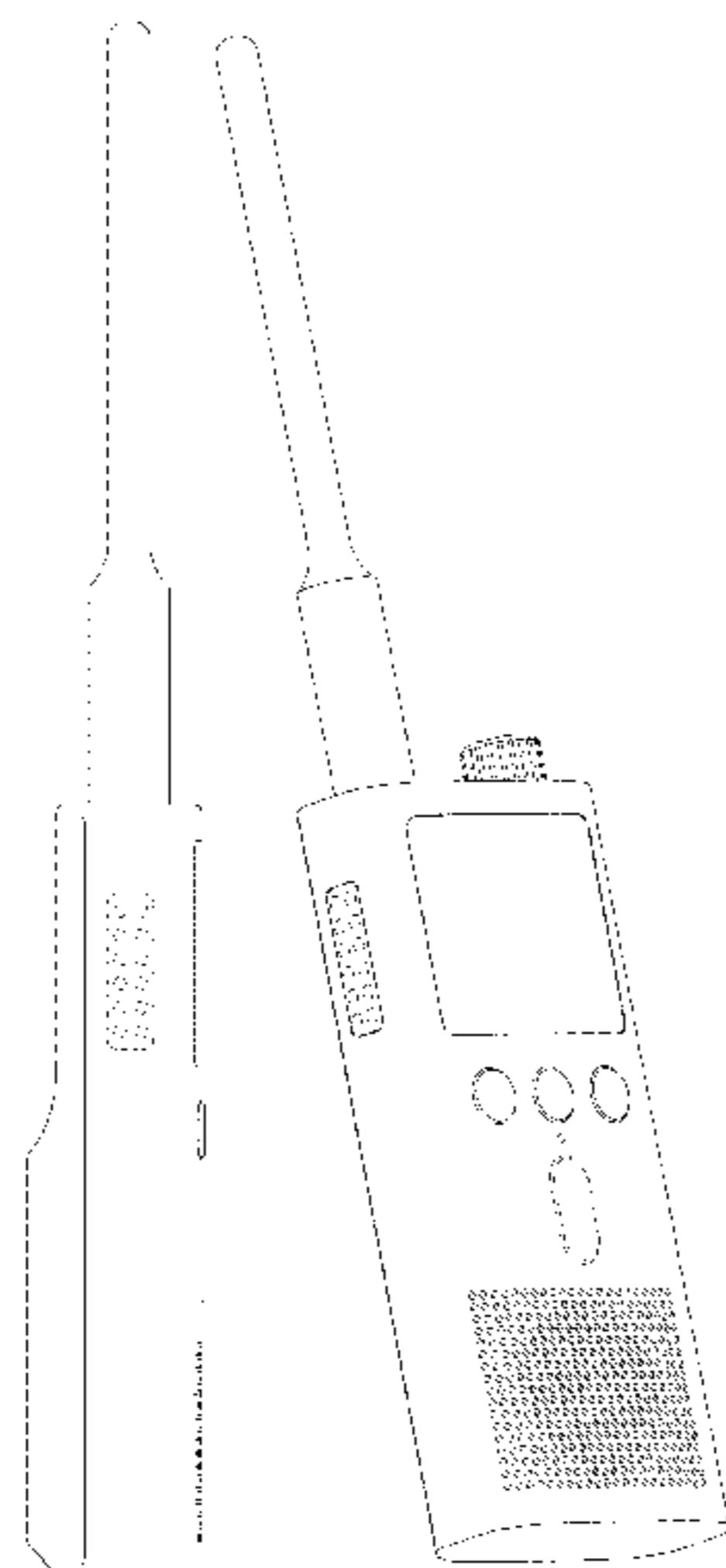
The broken lines in Figures 1.1-1.7 depict portions of the walkie-talkie that form no part of the claimed design.

(56) **References Cited**

U.S. PATENT DOCUMENTS

D280,620 S * 9/1985 Toth D14/137
D290,842 S * 7/1987 Scheid D14/137
D302,688 S * 8/1989 Toth D14/137

1 Claim, 6 Drawing Sheets



(56)

References Cited

U.S. PATENT DOCUMENTS

D348,664	S *	7/1994	Imazeki	D14/137
D379,809	S *	6/1997	Lindeman	D14/137
D406,584	S *	3/1999	Nagai	D14/137
D423,492	S *	4/2000	Renard	D14/137
D441,743	S *	5/2001	Uehara	D14/125
D447,740	S *	9/2001	Johansson	D14/138 AA
6,680,676	B1 *	1/2004	Hayashi	H04M 1/23 341/22
D490,064	S *	5/2004	Yi	D14/137
D569,358	S *	5/2008	Devenish, III	D14/137
D602,893	S *	10/2009	Nishida	D14/137
D623,160	S *	9/2010	Garn	D14/138 AA
D778,251	S *	2/2017	Nishizawa	D14/137
D797,069	S *	9/2017	Nishizawa	D14/137
D842,830	S *	3/2019	Nishida	D14/137
D846,521	S *	4/2019	Nakagawa	D14/137
D853,345	S *	7/2019	Nishida	D14/137
D896,197	S *	9/2020	Lee	D14/137
D898,689	S *	10/2020	Nishizawa	D14/137
2003/0003945	A1 *	1/2003	Saiki	H04M 1/03 455/550.1
2017/0055135	A1 *	2/2017	Jimenez	H04M 1/72519

OTHER PUBLICATIONS

Zhou et al., CN Design No. 305307438, published at Orbit, publication date Aug. 16, 2019. Site visited May 3, 2020. Available from Internet. (Year: 2019).*

Sony Mobile Communications AB, EU Design No. 002276451-0002, published at DesignVision, publication date Aug. 6, 2013. Site visited May 2, 2020. Available from Internet. (Year: 2013).*

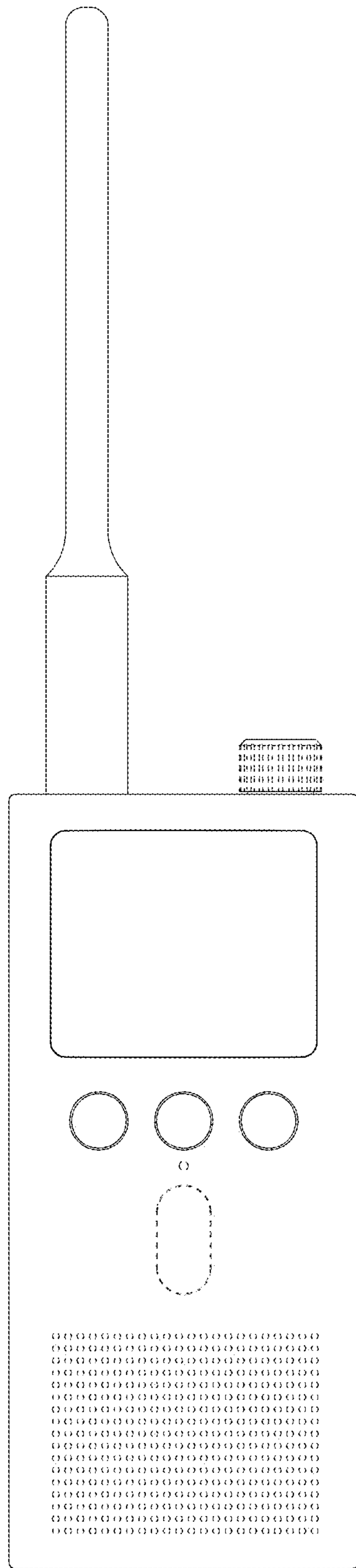
Quanzhou Errui Electronic Technology Co Ltd., Chinese Design No. 2.01930158405e+11, published at DesignVision, publication date Dec. 27, 2019. Site visited May 2, 2020. Available from Internet. (Year: 2019).*

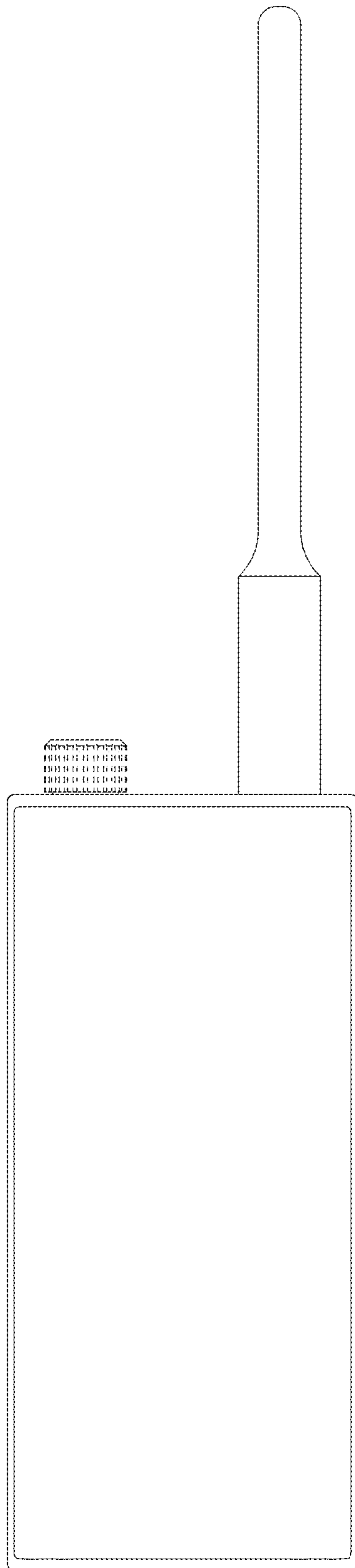
Icom Inc. Chinese design No. 201430127957, published at DesignVision, publication date Sep. 17, 2014. Site visited May 2, 2020. Available from Internet. (Year: 2014).*

Honorbuy Mobile Shop, Xiaomi Walkie Talkie Unboxing, published at YouTube, publication date Mar. 22, 2017. Site visited May 3, 2020. URL: <https://www.youtube.com/watch?v=xlkxpVMu_SE> (Year: 2017).*

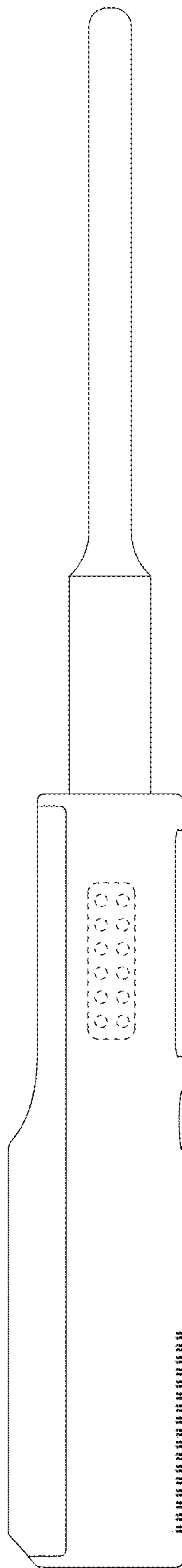
Xiaomi Walkie Talkie Radio Set, posted at YouTube, posting date Mar. 24, 2017. Site visited May 3, 2020. URL: <<https://www.youtube.com/watch?v=CCO7bTf1TKs>> (Year: 2017).*

* cited by examiner

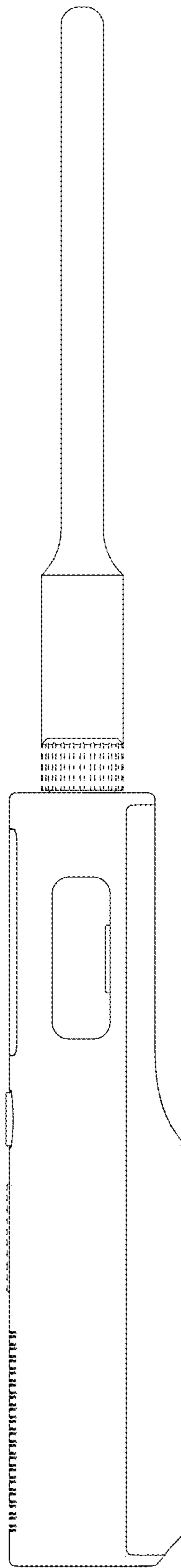


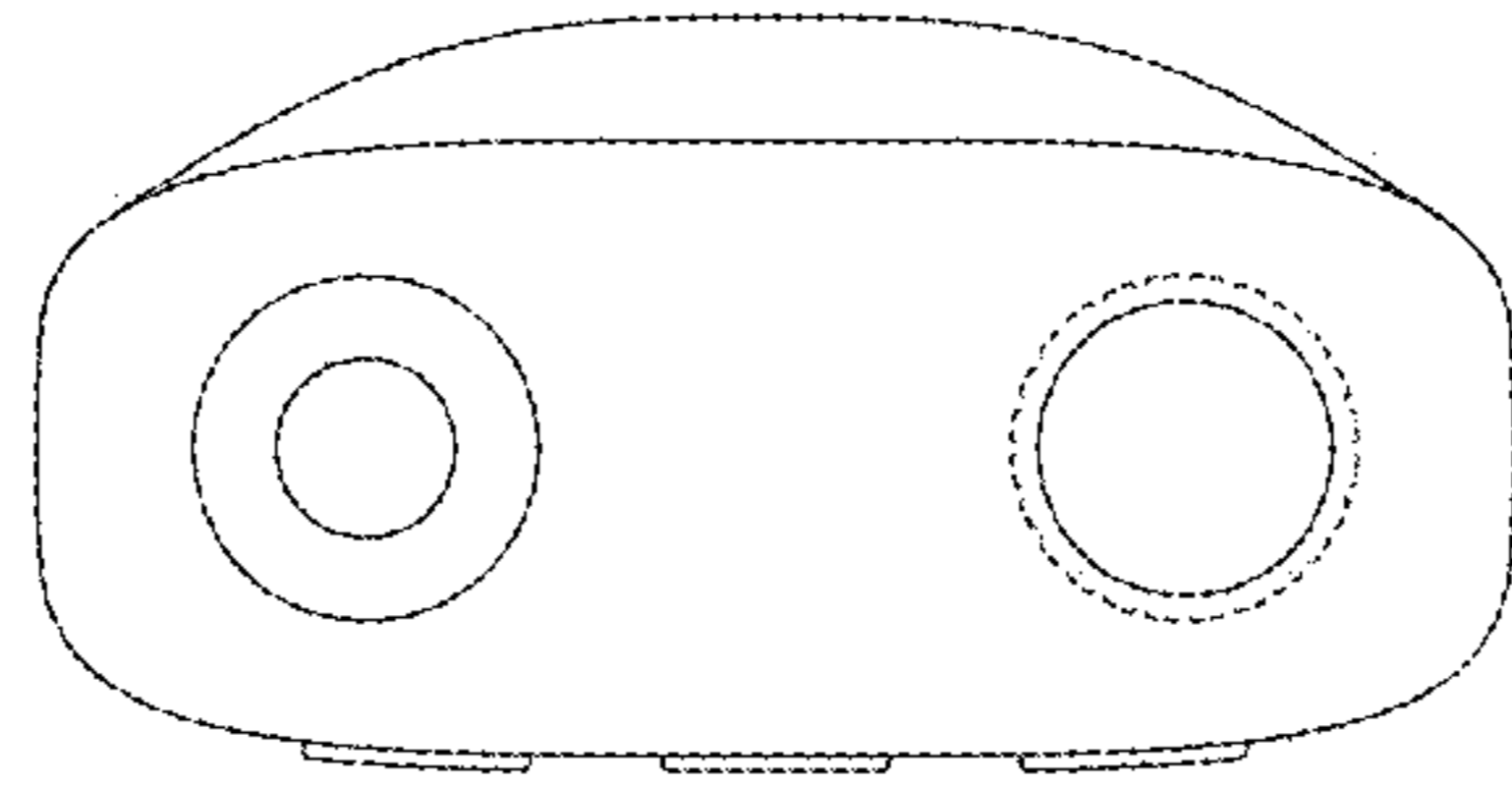


1.2

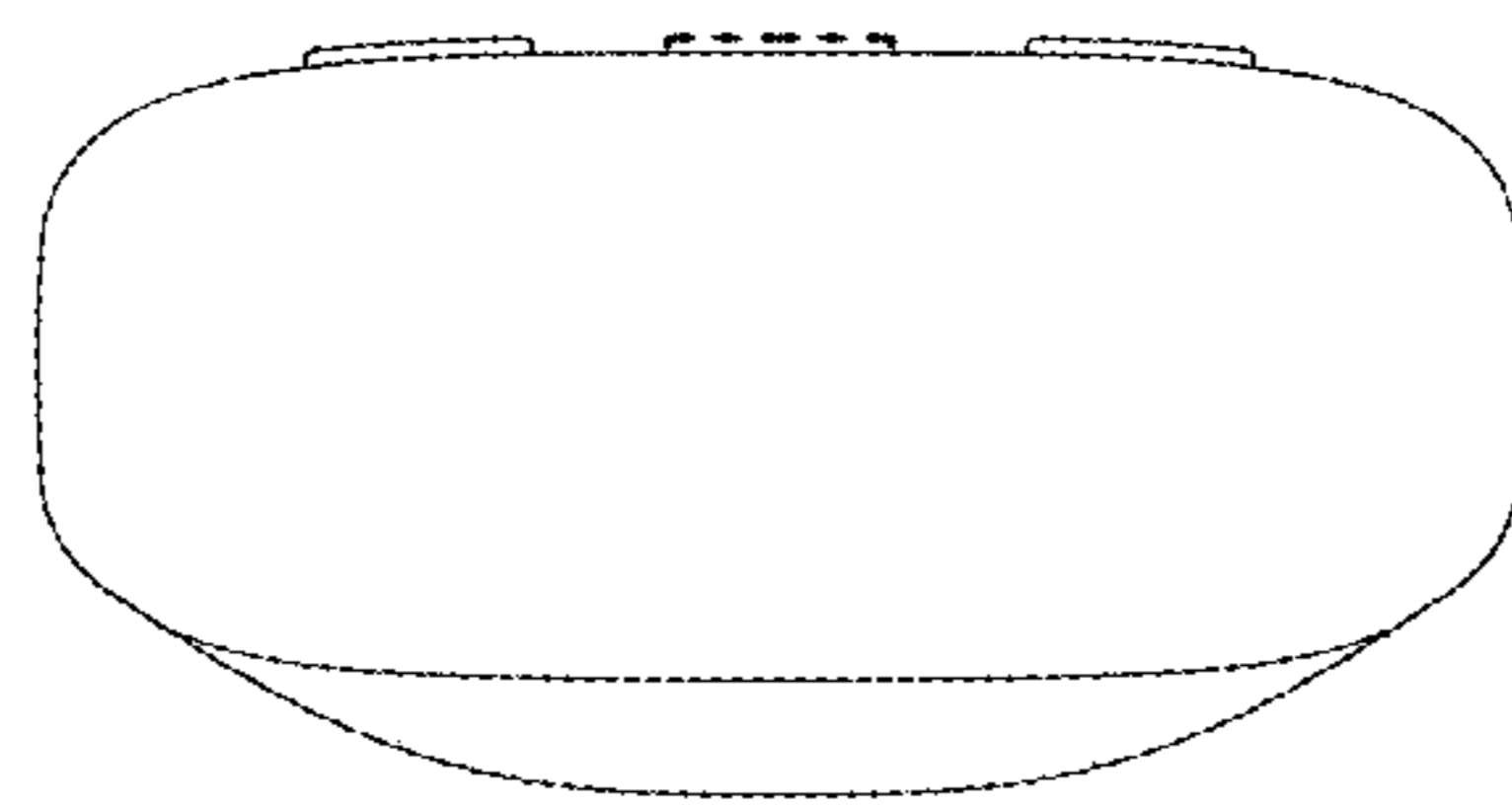


1.3





1.5



1.6

