



US00D920269S

(12) **United States Design Patent**  
**Zhang et al.**

(10) **Patent No.: US D920,269 S**  
(45) **Date of Patent: \*\* May 25, 2021**

(54) **TELEVISION**

FOREIGN PATENT DOCUMENTS

(71) Applicant: **SHENZHEN SKYWORTH-RGB ELECTRONIC CO., LTD.**,  
Guangdong (CN)

CN 201930174104.8 \* 9/2019  
EM 006648200-0001 \* 8/2019  
EM 006648200-0002 \* 8/2019

(72) Inventors: **Yangyang Zhang**, Guangdong (CN);  
**Xiangcheng Liu**, Guangdong (CN);  
**Shuxiao Wei**, Guangdong (CN); **Yi Liu**,  
Guangdong (CN); **Jie He**, Guangdong (CN);  
**Tongyang Li**, Guangdong (CN); **Liyuan Peng**,  
Guangdong (CN)

*Primary Examiner* — Barbara Fox  
*Assistant Examiner* — Aram Kwon

(57) **CLAIM**

The ornamental design for a television, as shown and described.

**DESCRIPTION**

(73) Assignee: **SHENZHEN SKYWORTH-RGB ELECTRONIC CO., LTD.**, Shenzhen (CN)

FIG. 1 is a top, front and right side perspective view of a television showing our new design, shown in a fully open configuration;

FIG. 2 is a bottom, front and left side perspective view of FIG. 1;

(\*\*) Term: **15 Years**

FIG. 3 is a top, rear and right side perspective view of FIG. 1;

(21) Appl. No.: **29/706,076**

FIG. 4 is a front elevational view of FIG. 1;

(22) Filed: **Sep. 18, 2019**

FIG. 5 is a rear elevational view of FIG. 1;

(30) **Foreign Application Priority Data**

Apr. 16, 2019 (CN) ..... 201930174104.8

FIG. 6 is a left side view of FIG. 1;

(51) **LOC (13) Cl.** ..... **14-03**

FIG. 7 is a right side view of FIG. 1;

(52) **U.S. Cl.**  
USPC ..... **D14/127**

FIG. 8 is a top plan view of FIG. 1;

(58) **Field of Classification Search**  
USPC ..... D14/125–137, 239, 314–316, 322, 326,  
D14/336, 337; D10/65

FIG. 9 is a bottom plan view of FIG. 1;

FIG. 10 is a top, front and right side perspective view of the television, shown in a partially open configuration;

FIG. 11 is a bottom, front and left side perspective view of FIG. 10;

(Continued)

FIG. 12 is a top, rear and right side perspective view of FIG. 10;

(56) **References Cited**

U.S. PATENT DOCUMENTS

D448,024 S \* 9/2001 Kim ..... D14/172  
D453,157 S \* 1/2002 Kim ..... D14/172

FIG. 13 is a front elevational view of FIG. 10;

FIG. 14 is a rear elevational view of FIG. 10;

FIG. 15 is a left side view of FIG. 10;

FIG. 16 is a right side view of FIG. 10;

FIG. 17 is a top plan view of FIG. 10;

FIG. 18 is a bottom plan view of FIG. 10;

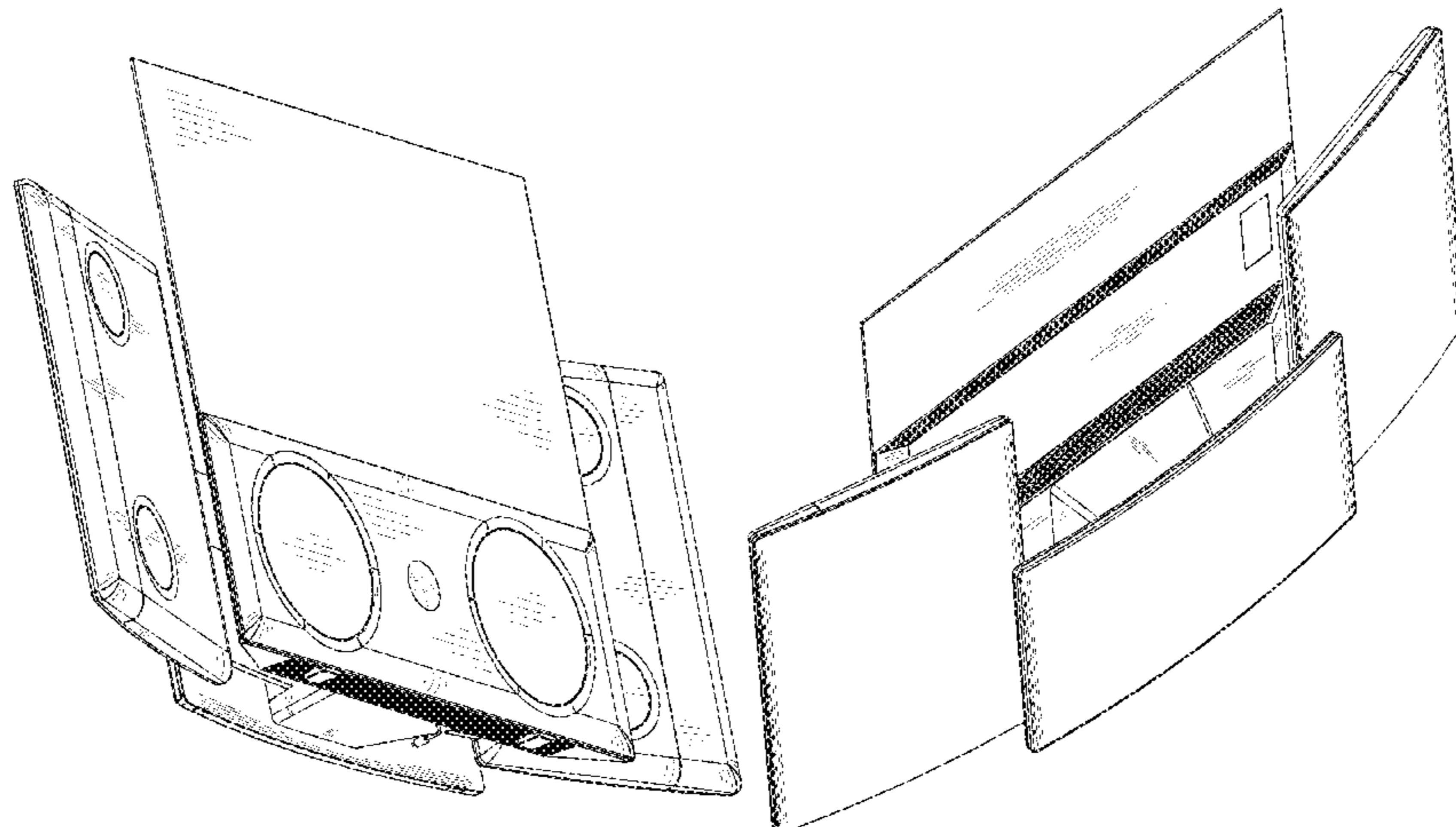
FIG. 19 is an enlarged view of portion 19 in FIG. 17; and,

FIG. 20 is an enlarged view of portion 20 in FIG. 18.

The evenly dashed broken lines depict portions of the television that form no part of the claimed design. The

(Continued)

(Continued)



dash-dot broken lines surrounding portions of the claimed design that are illustrated in enlargements form no part of the claimed design.

**1 Claim, 20 Drawing Sheets**

(58) **Field of Classification Search**

CPC ..... G06F 1/16; G06F 1/1601; G06F 1/1637;  
H04N 5/64; H05K 5/0204; H05K 5/0017;  
H05K 5/0217

See application file for complete search history.

(56) **References Cited**

U.S. PATENT DOCUMENTS

D475,048 S *	5/2003	Wu .....	D14/374
D701,507 S *	3/2014	Cope .....	D14/374
D753,127 S *	4/2016	Walker .....	D14/450

\* cited by examiner

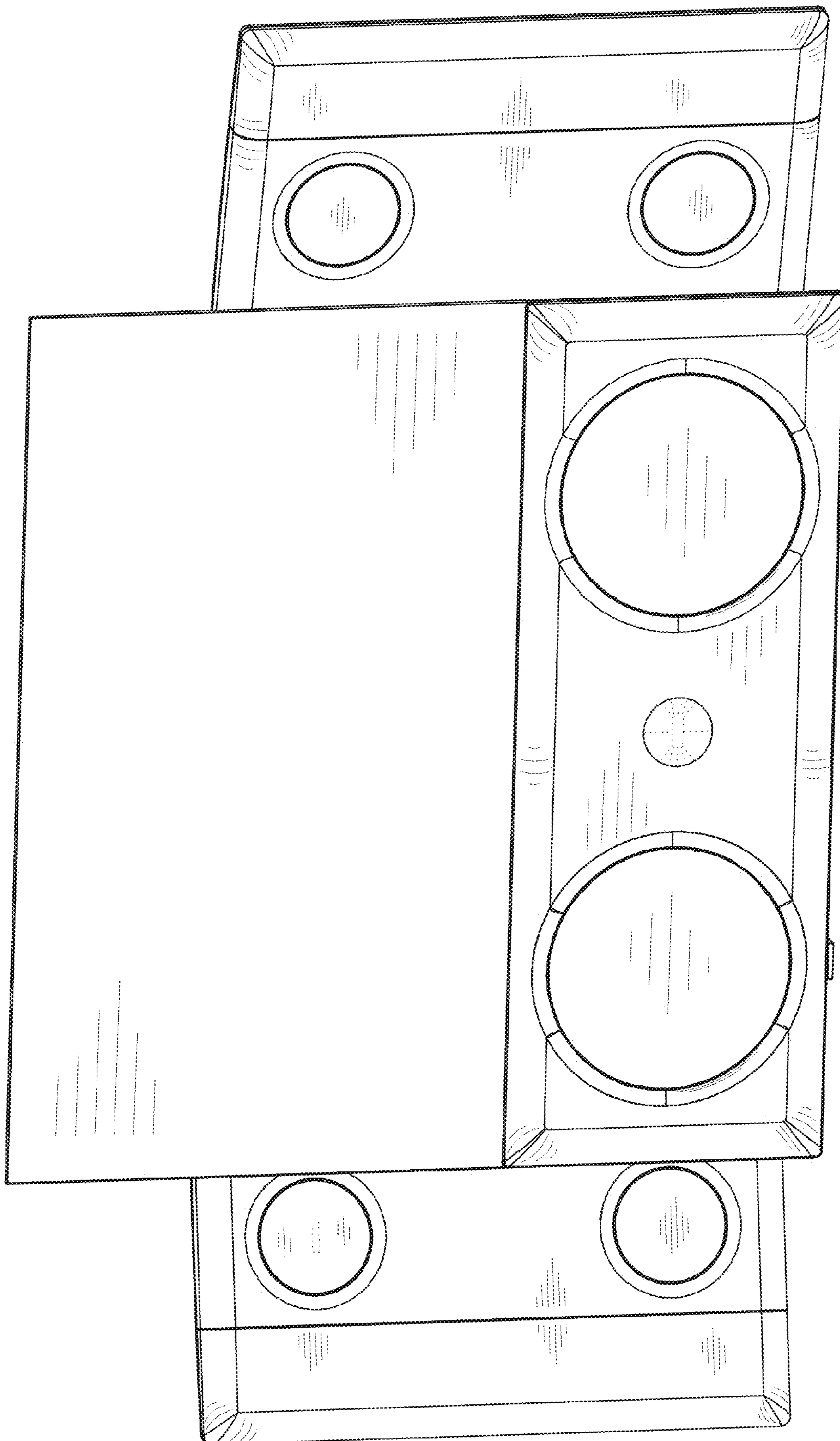


Fig. 1



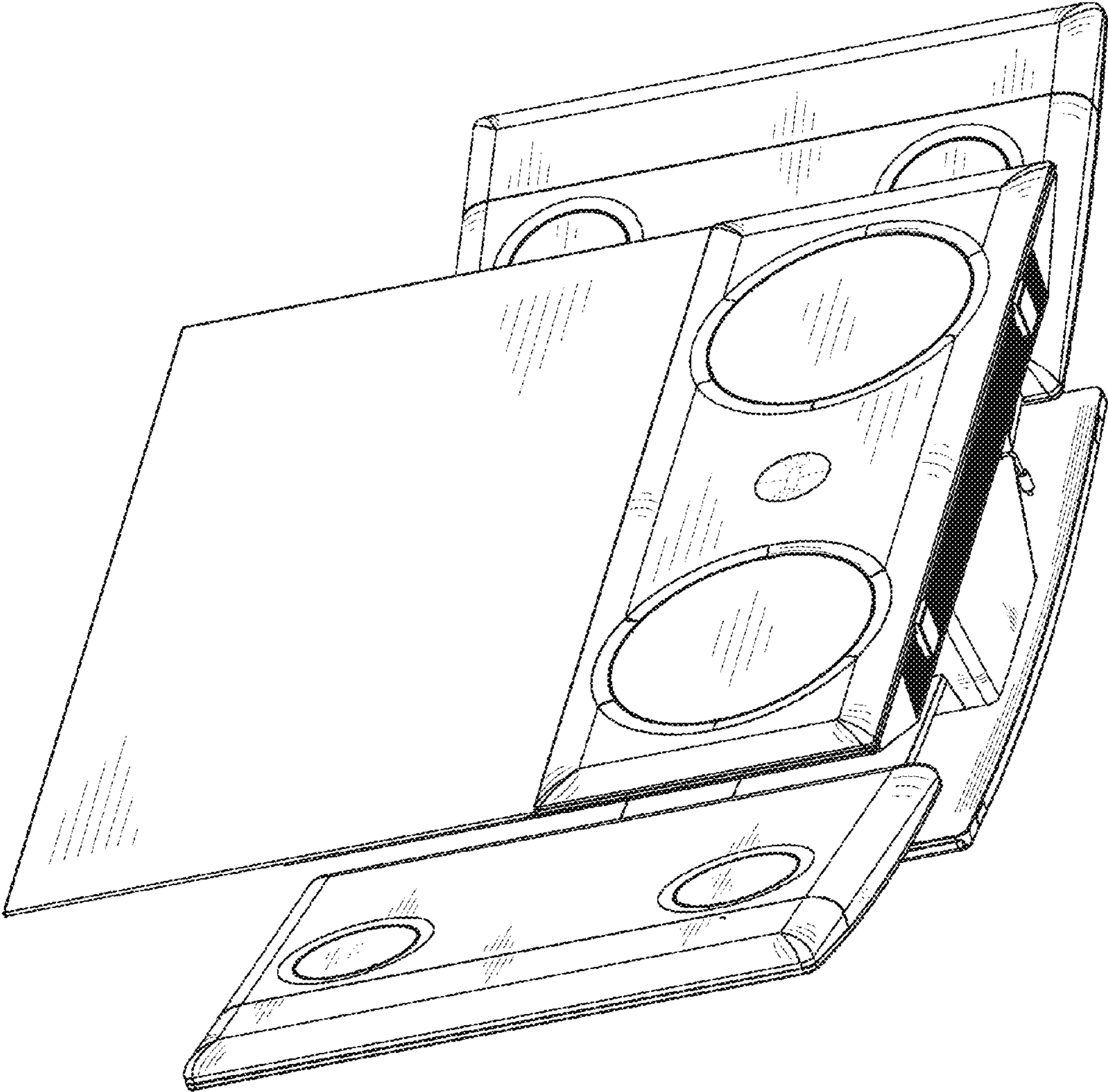


Fig. 2

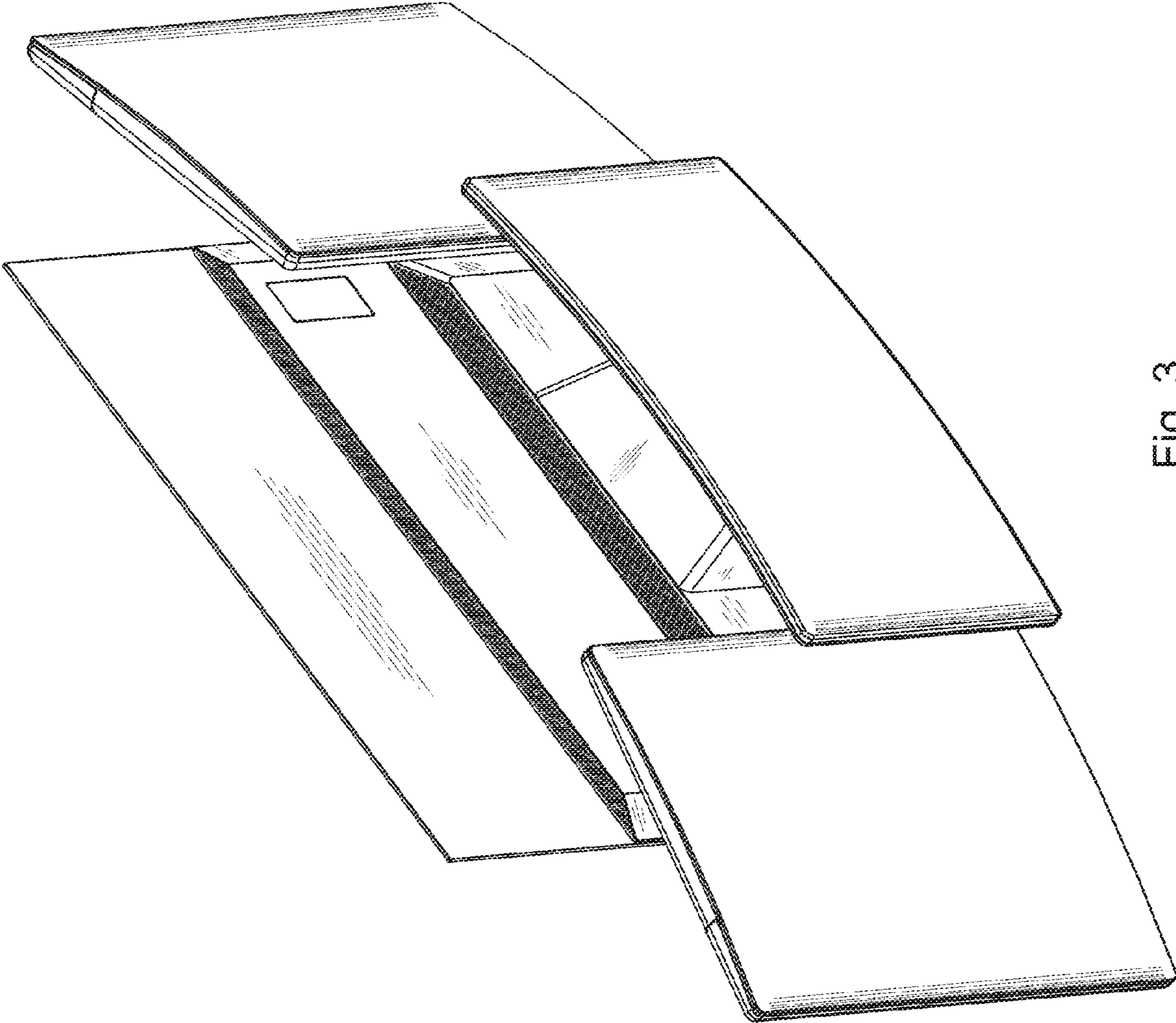


Fig. 3

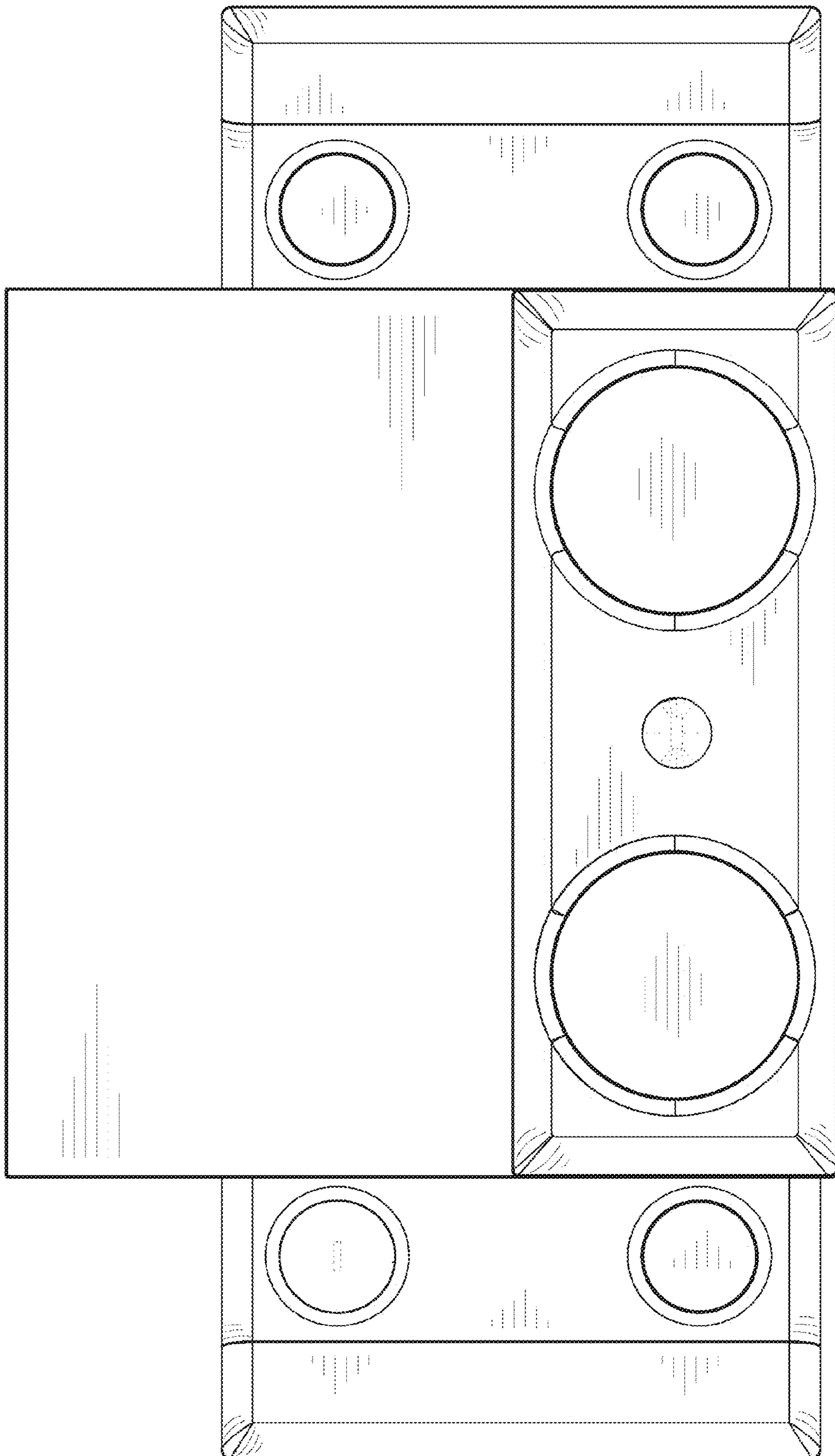


Fig. 4

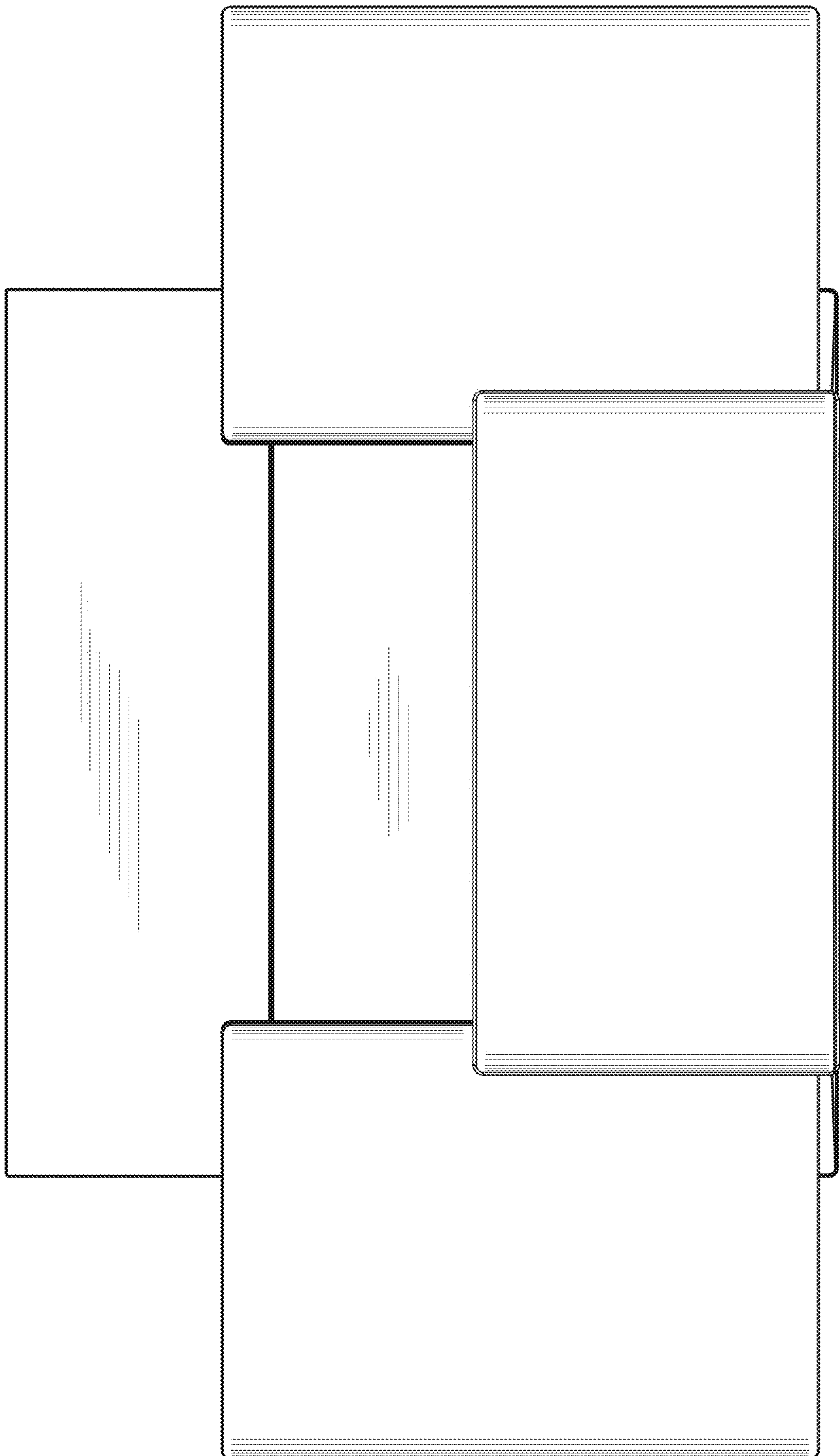


Fig. 5

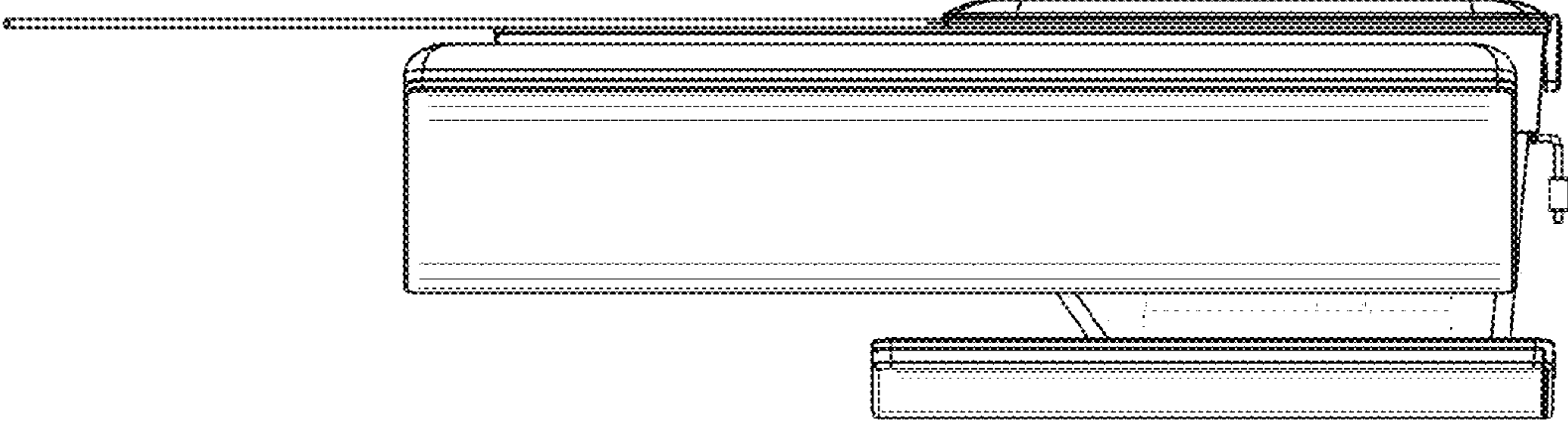


Fig. 6



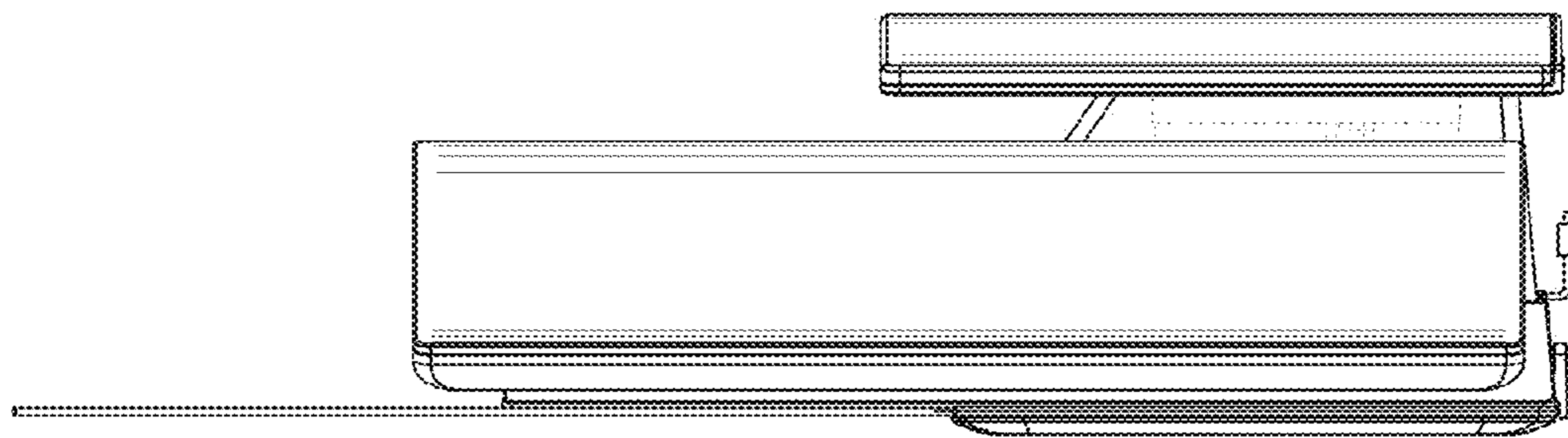


Fig. 7

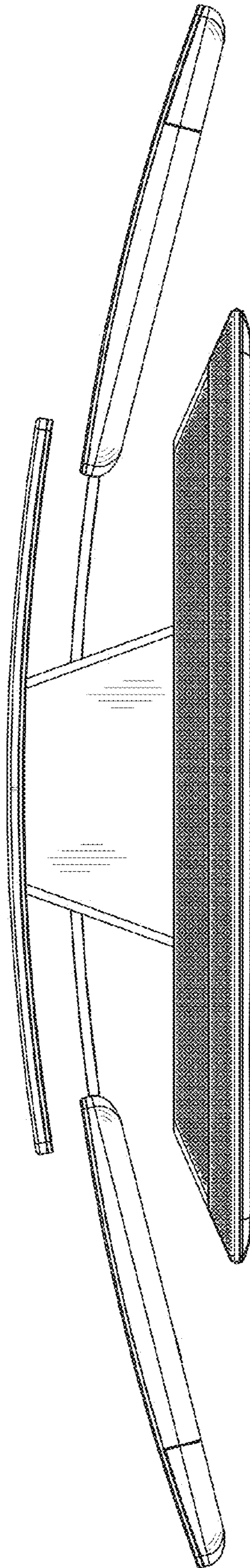


Fig. 8

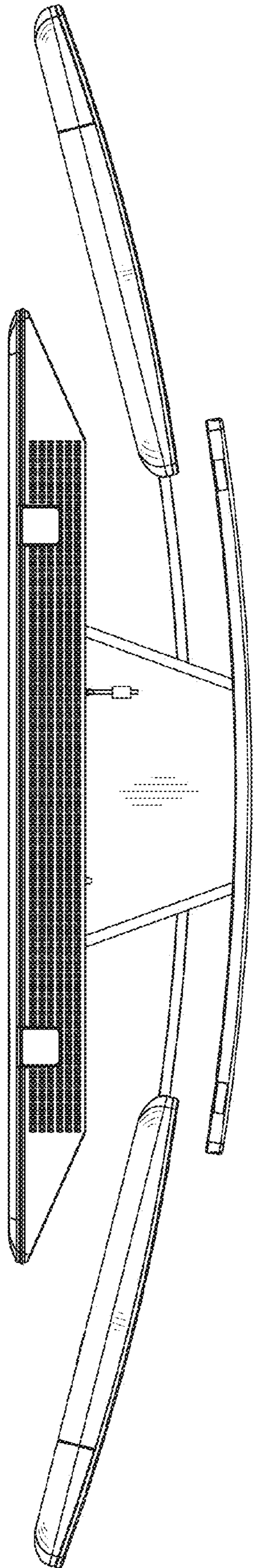


Fig. 9

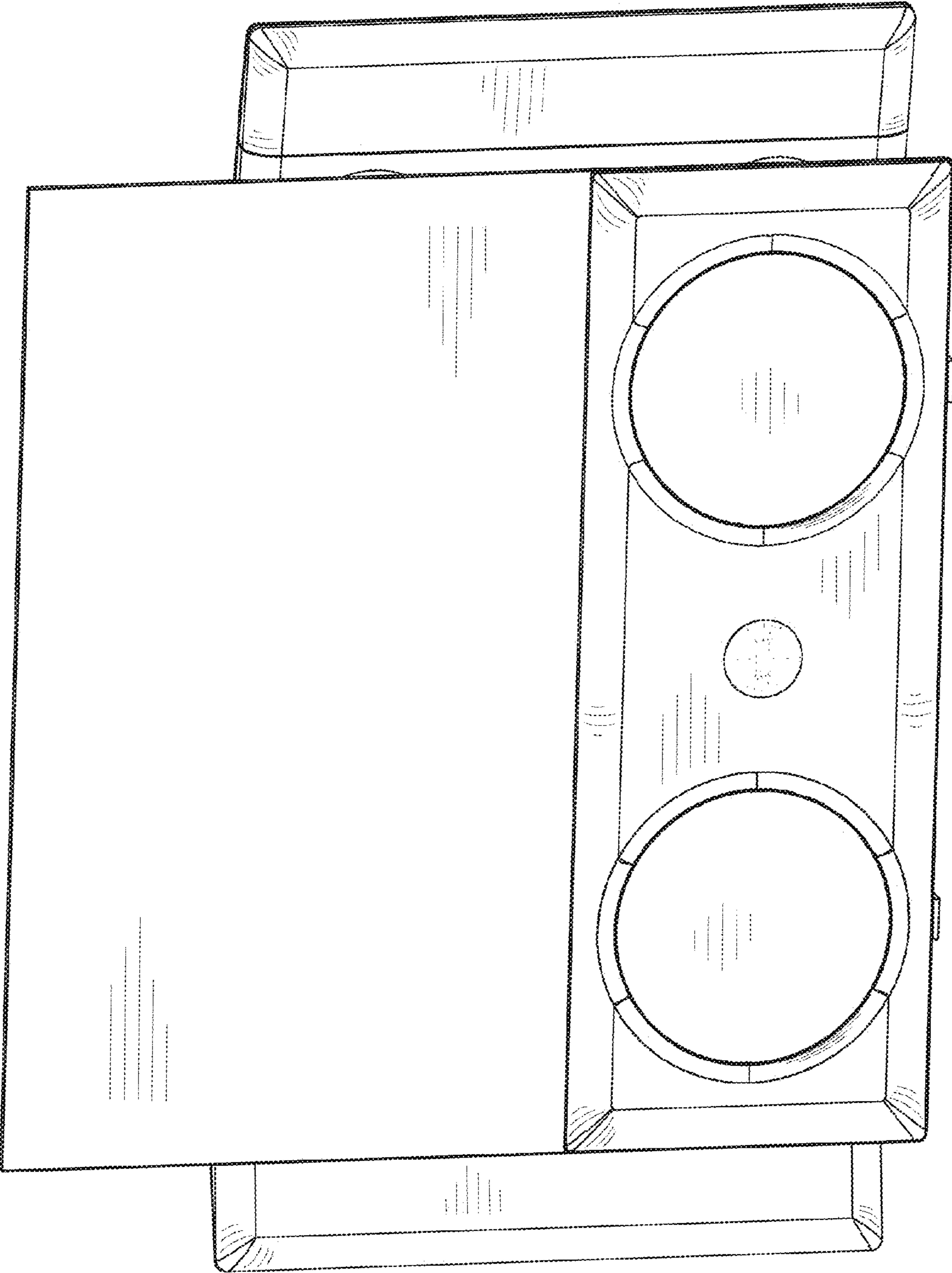


Fig. 10



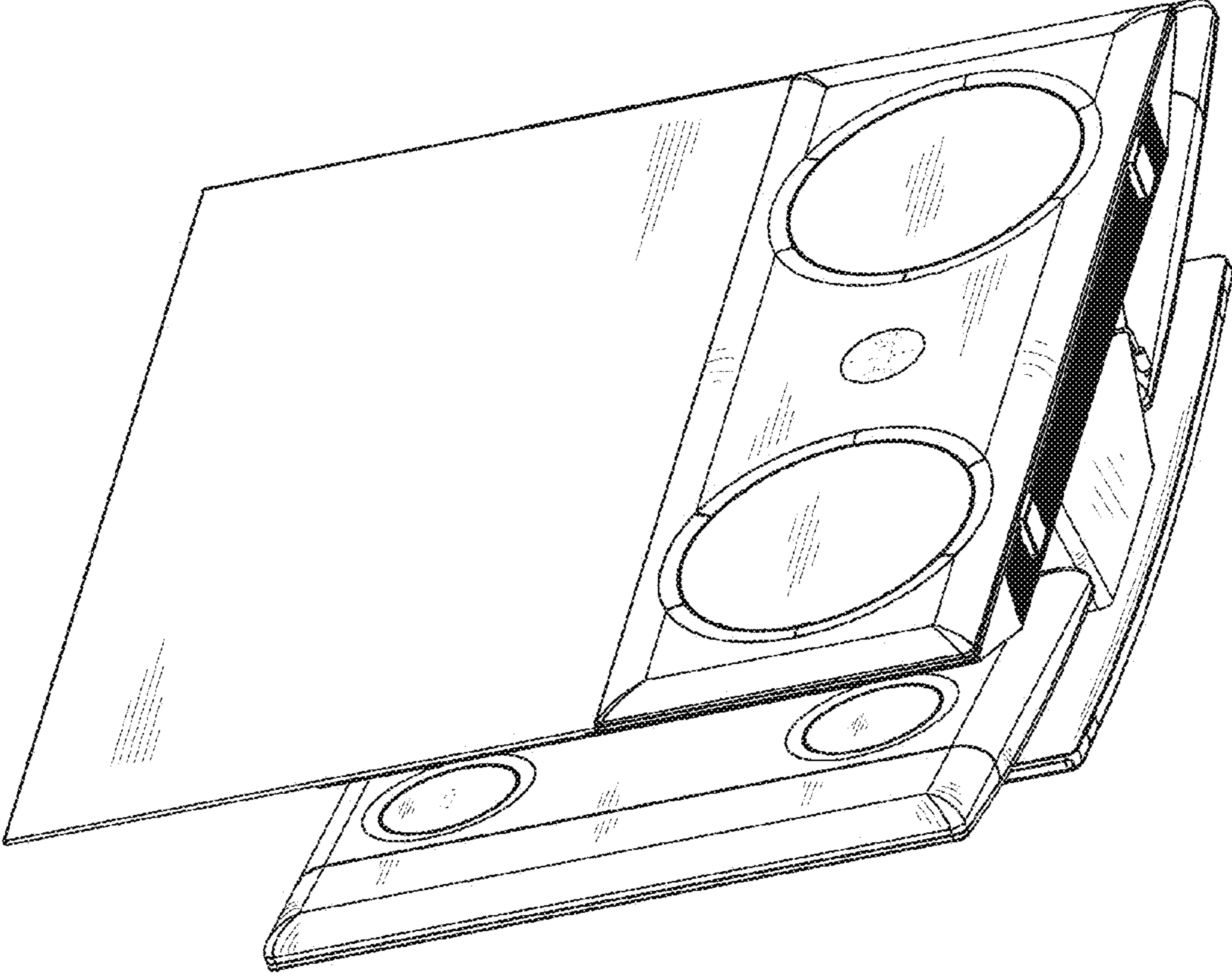


Fig. 11

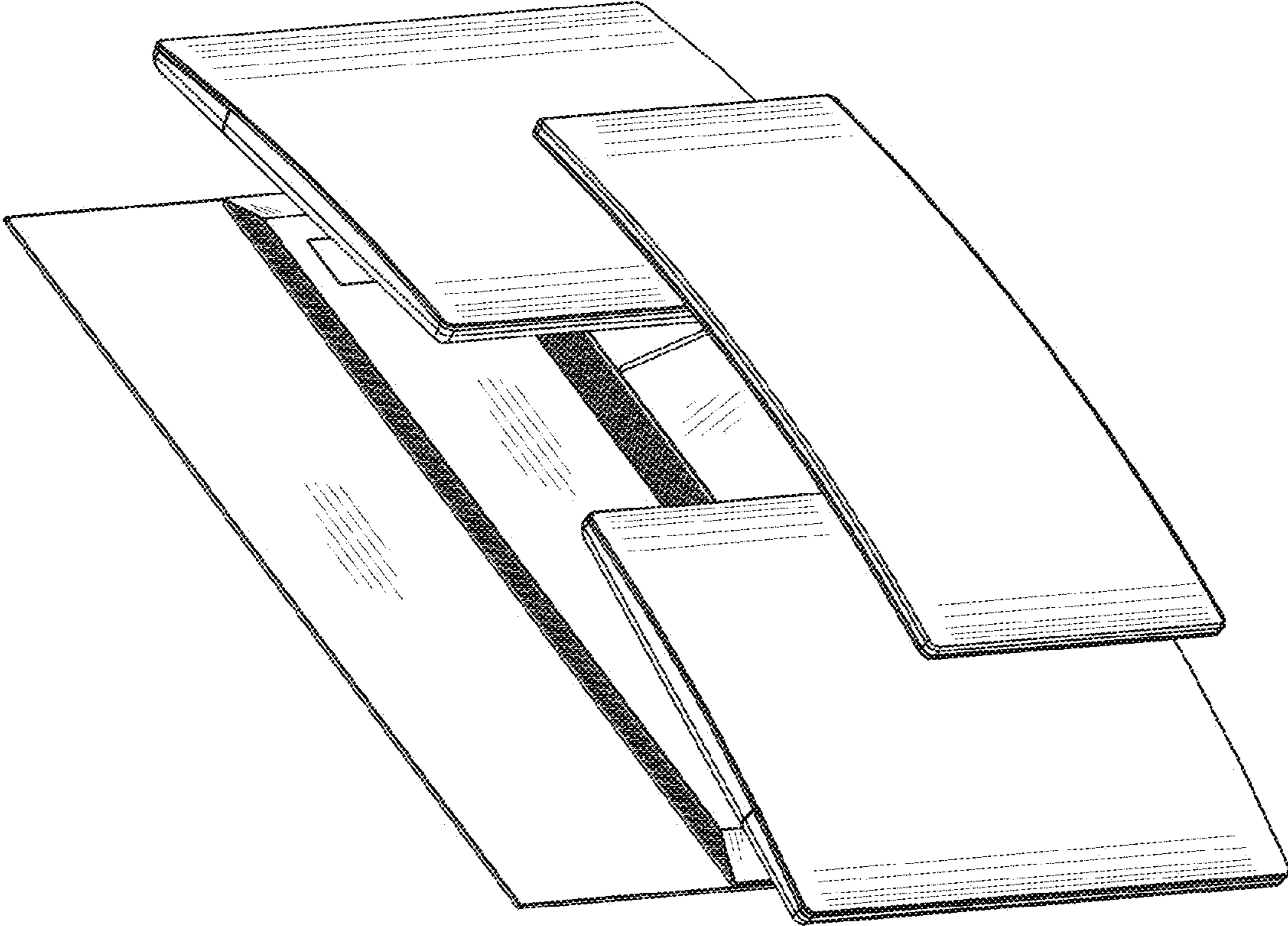


Fig. 12

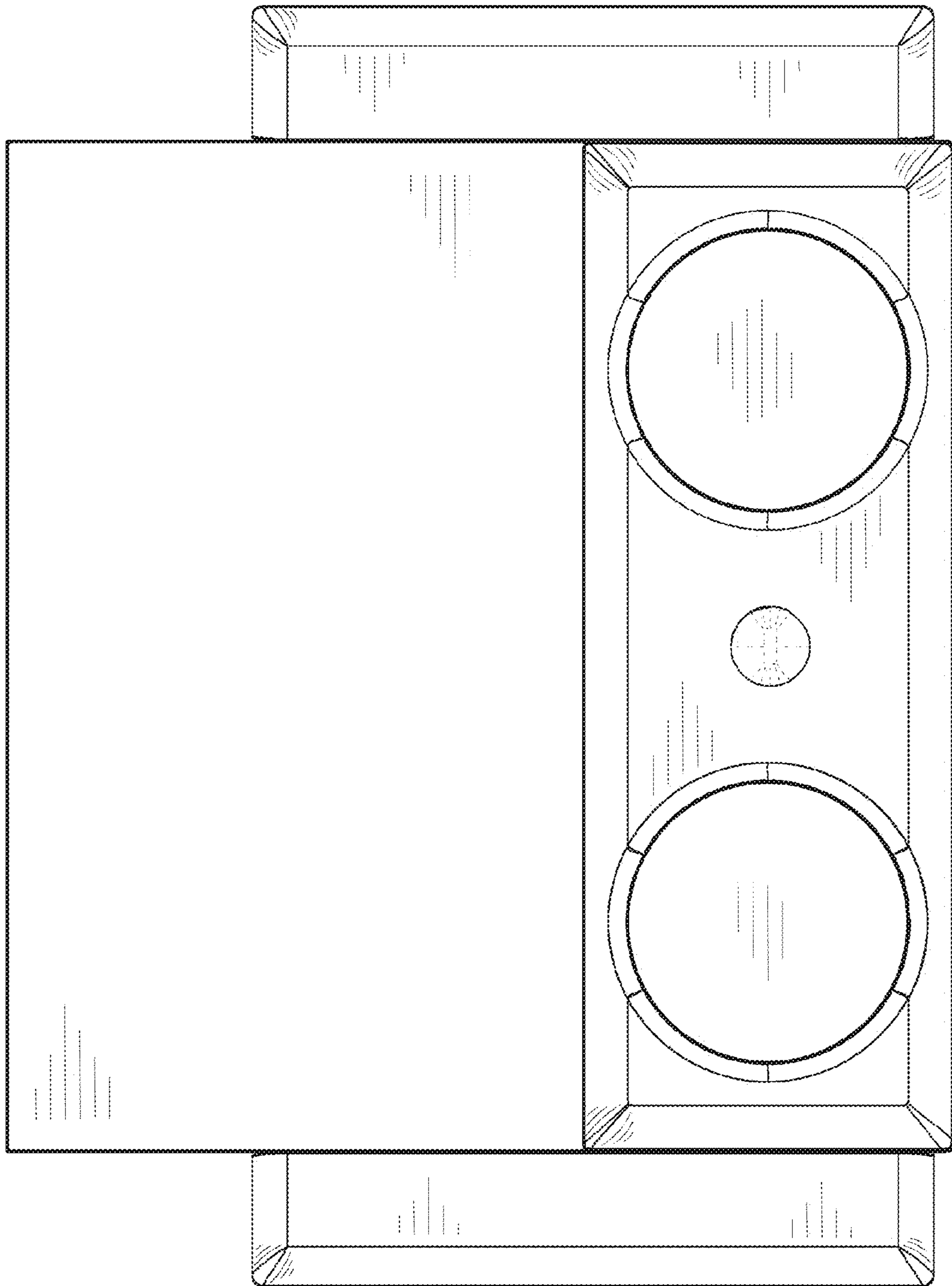


Fig. 13

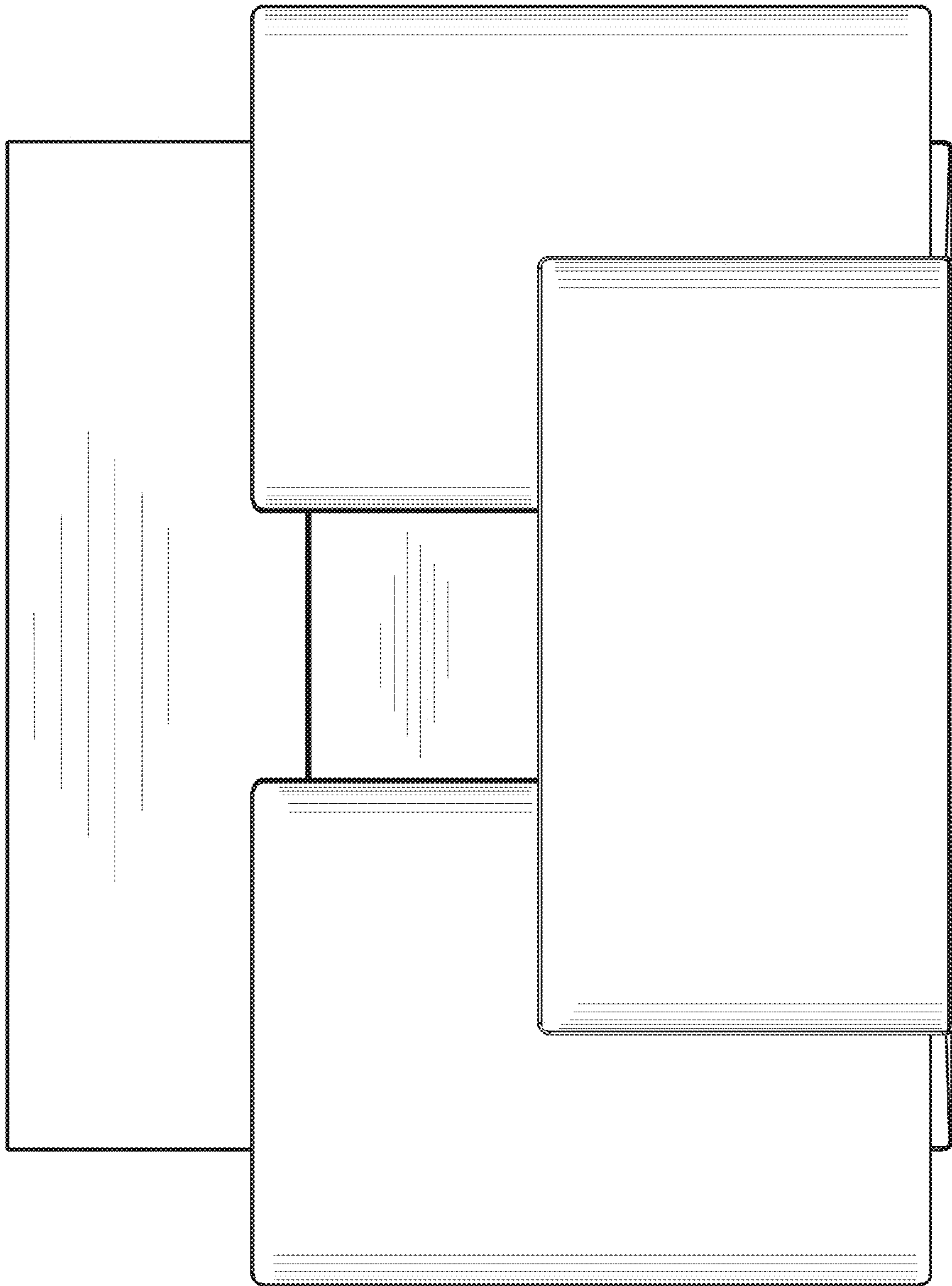


Fig. 14



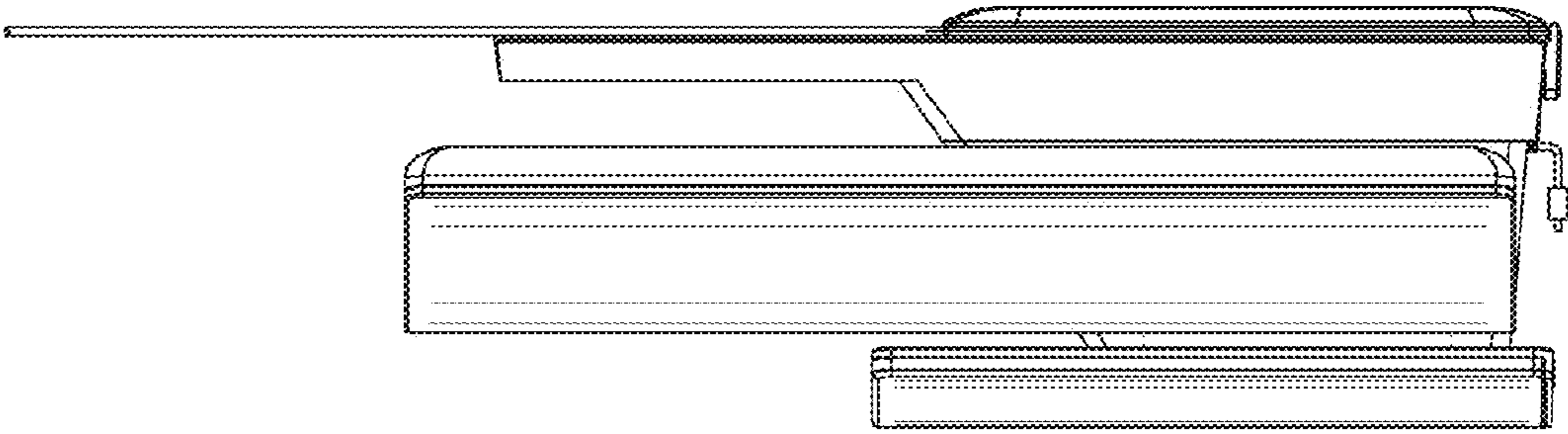


Fig. 15

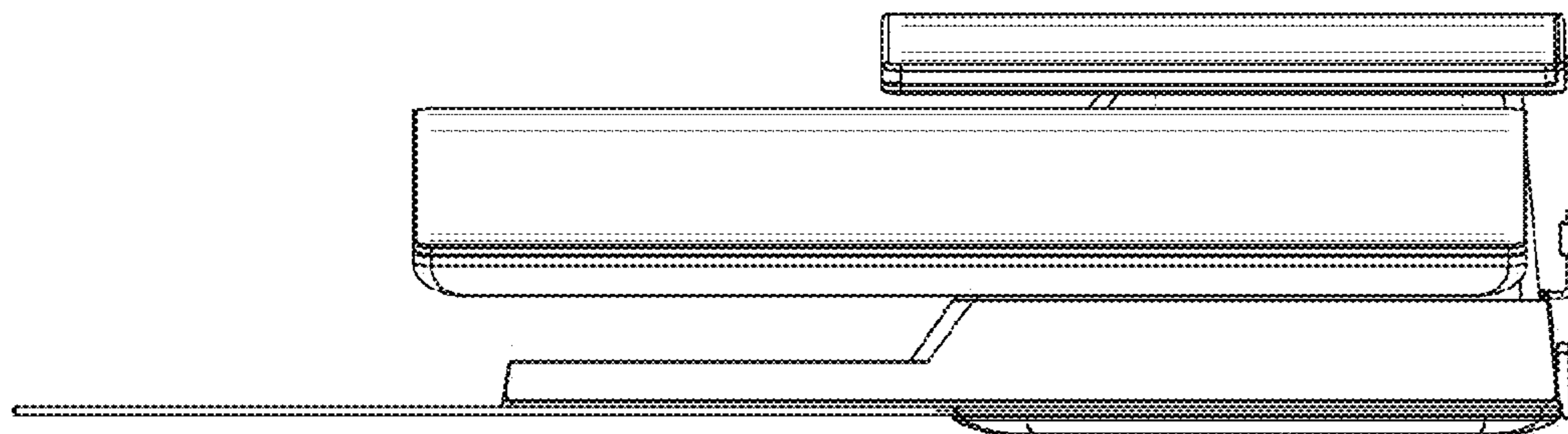


Fig. 16

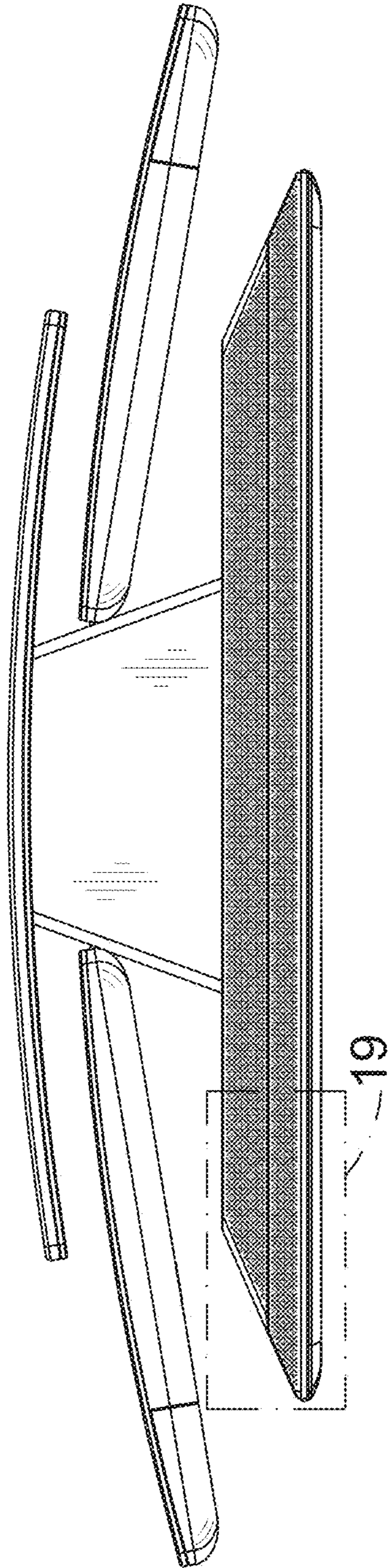


Fig. 17

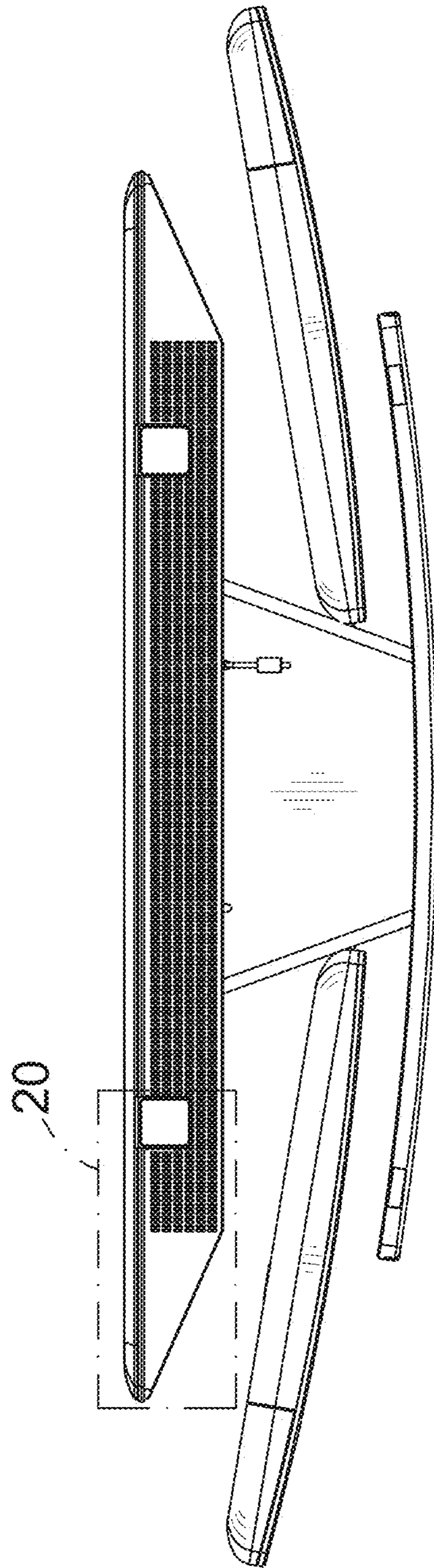


Fig. 18



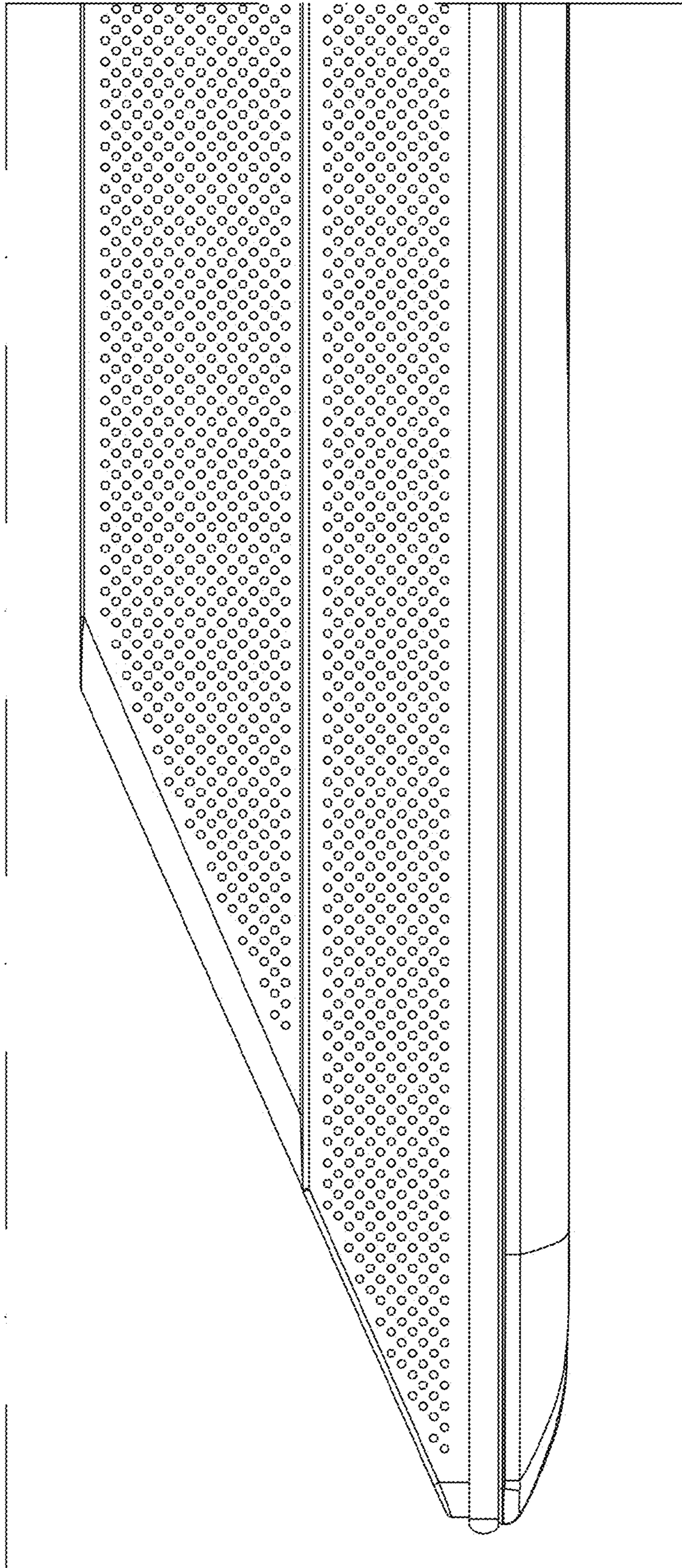


Fig. 19

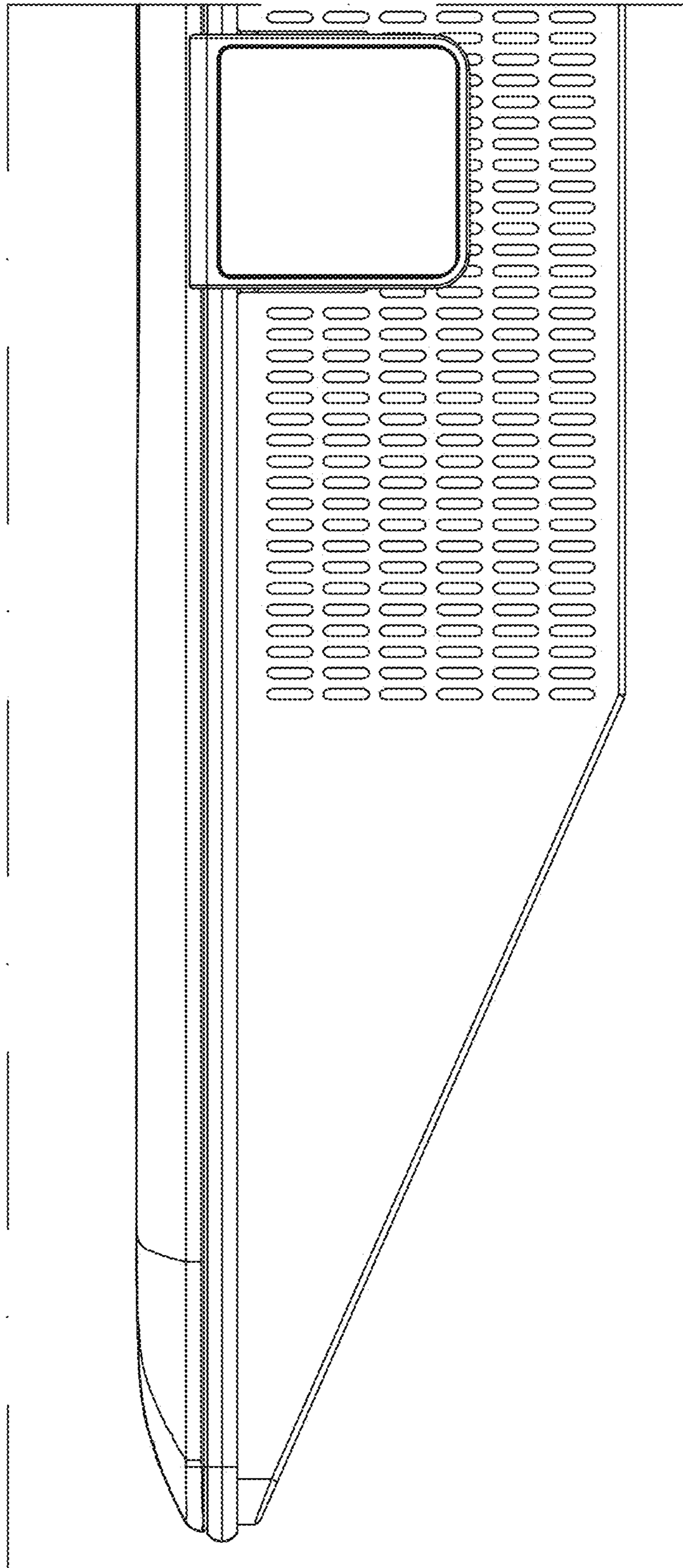


Fig. 20