



US00D920267S

(12) **United States Design Patent** (10) **Patent No.:** **US D920,267 S**
Choubey et al. (45) **Date of Patent:** **** May 25, 2021**

(54) **ELECTRICAL HOUSING**

(71) Applicant: **Facebook, Inc.**, Menlo Park, CA (US)

(72) Inventors: **Neeraj Choubey**, Belmont, CA (US);
Eric P. Aldenbrook, Cupertino, CA (US); **Mark Duncan Brinkerhoff**,
Campbell, CA (US); **Gary Robert Schultheis**, Scotts Valley, CA (US);
Ronald Scott Boeder, Livermore, CA (US); **Victor Carrasco**, San Jose, CA (US)

(73) Assignee: **Facebook, Inc.**, Menlo Park, CA (US)

(**) Term: **15 Years**

(21) Appl. No.: **29/759,711**

(22) Filed: **Nov. 24, 2020**

Related U.S. Application Data

(62) Division of application No. 29/744,707, filed on Jul. 30, 2020, now Pat. No. Des. 906,990, which is a division of application No. 29/728,613, filed on Mar. 19, 2020, now Pat. No. Des. 895,562, which is a division of application No. 29/592,848, filed on Feb. 2, 2017, now Pat. No. Des. 882,539.

(51) **LOC (13) Cl.** **13-03**

(52) **U.S. Cl.**
USPC **D13/184; D14/358**

(58) **Field of Classification Search**
USPC ... D13/184, 158, 159, 162, 123, 152, 139.3,
D13/179, 133; D14/238, 240
CPC ... H04W 88/08; H04W 88/085; H04W 88/00;
H04W 88/005; H04W 88/02; H04W
88/12; H04W 88/14; H04W 88/16; H04W
88/18; H04W 4/00; H04W 16/26; H01Q
1/02; H01Q 1/2291; H01Q 1/246; H01Q
1/42; H04B 1/38

See application file for complete search history.

(56) **References Cited**

U.S. PATENT DOCUMENTS

D312,244 S *	11/1990	Collins	D13/152
D360,620 S *	7/1995	Gehrs	D13/152
D367,646 S *	3/1996	Schneider	D13/152
5,497,416 A *	3/1996	Butler, III	H04Q 1/028 379/397

(Continued)

Primary Examiner — Keli L Hill

Assistant Examiner — Harold E Blackwell, II

(74) *Attorney, Agent, or Firm* — Baker Botts L.L.P.

(57) **CLAIM**

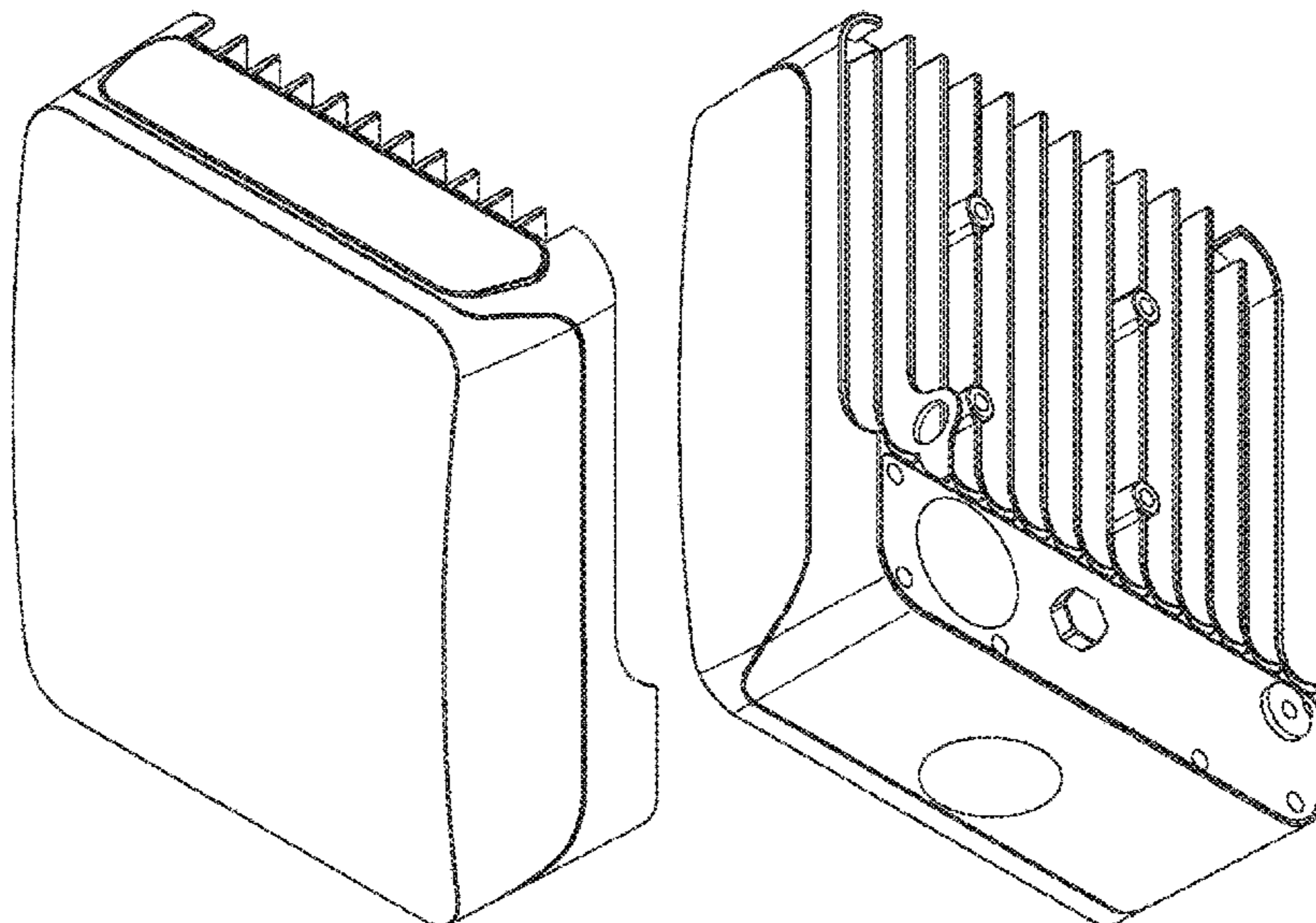
The ornamental design for an electrical housing, as shown and described.

DESCRIPTION

FIG. 1 is a view of an electrical housing showing the design.
FIG. 2 is another view thereof.
FIG. 3 is another view thereof.
FIG. 4 is another view thereof.
FIG. 5 is another view thereof.
FIG. 6 is another view thereof.
FIG. 7 is another view thereof.
FIG. 8 is another view thereof.
FIG. 9 is another view thereof.
FIG. 10 is another view thereof.
FIG. 11 is another view thereof.
FIG. 12 is another view thereof.
FIG. 13 is another view thereof.
FIG. 14 is another view thereof.
FIG. 15 is another view thereof.
FIG. 16 is another view thereof.
FIG. 17 is another view thereof; and,
FIG. 18 is another view thereof.

The shaded lines in the figures show contour and not surface ornamentation.

1 Claim, 8 Drawing Sheets



(56)

References Cited

U.S. PATENT DOCUMENTS

D655,280	S	*	3/2012	MacManus	D14/240
D721,349	S	*	1/2015	Sugai	D14/159
D742,864	S	*	11/2015	Kurosawa	D14/240
D783,579	S	*	4/2017	MacManus	D14/240
D783,580	S	*	4/2017	MacManus	D14/240
D784,969	S	*	4/2017	MacManus	D14/240
D784,970	S	*	4/2017	MacManus	D14/240
D789,361	S	*	6/2017	Ali	D14/358
D791,767	S	*	7/2017	Ali	D14/358
D798,296	S	*	9/2017	Ali	D14/358
D825,557	S	*	8/2018	Matsumiya	D14/358
10,044,098	B2	*	8/2018	Ali	H01Q 1/44
D837,208	S	*	1/2019	Ali	D14/358
D837,209	S	*	1/2019	Ali	D14/358
D837,210	S	*	1/2019	Ali	D14/358
D837,784	S	*	1/2019	Ali	D14/358
D856,291	S	*	8/2019	Sun	D14/125
D882,539	S	*	4/2020	Choubey	D13/184
D906,990	S	*	1/2021	Choubey	D13/184
2017/0244158	A1	*	8/2017	Ali	H04B 1/3827

* cited by examiner

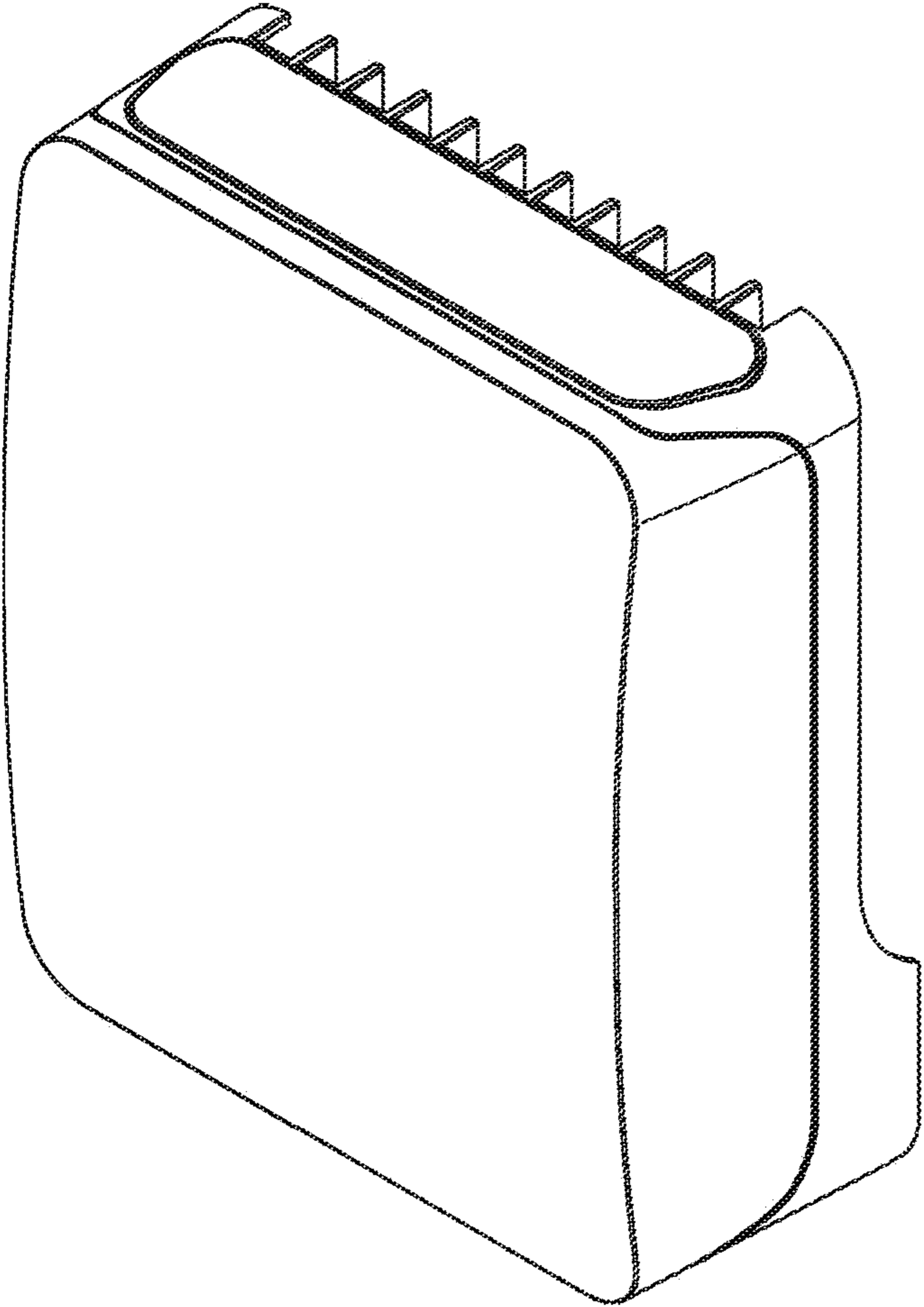


FIG. 1

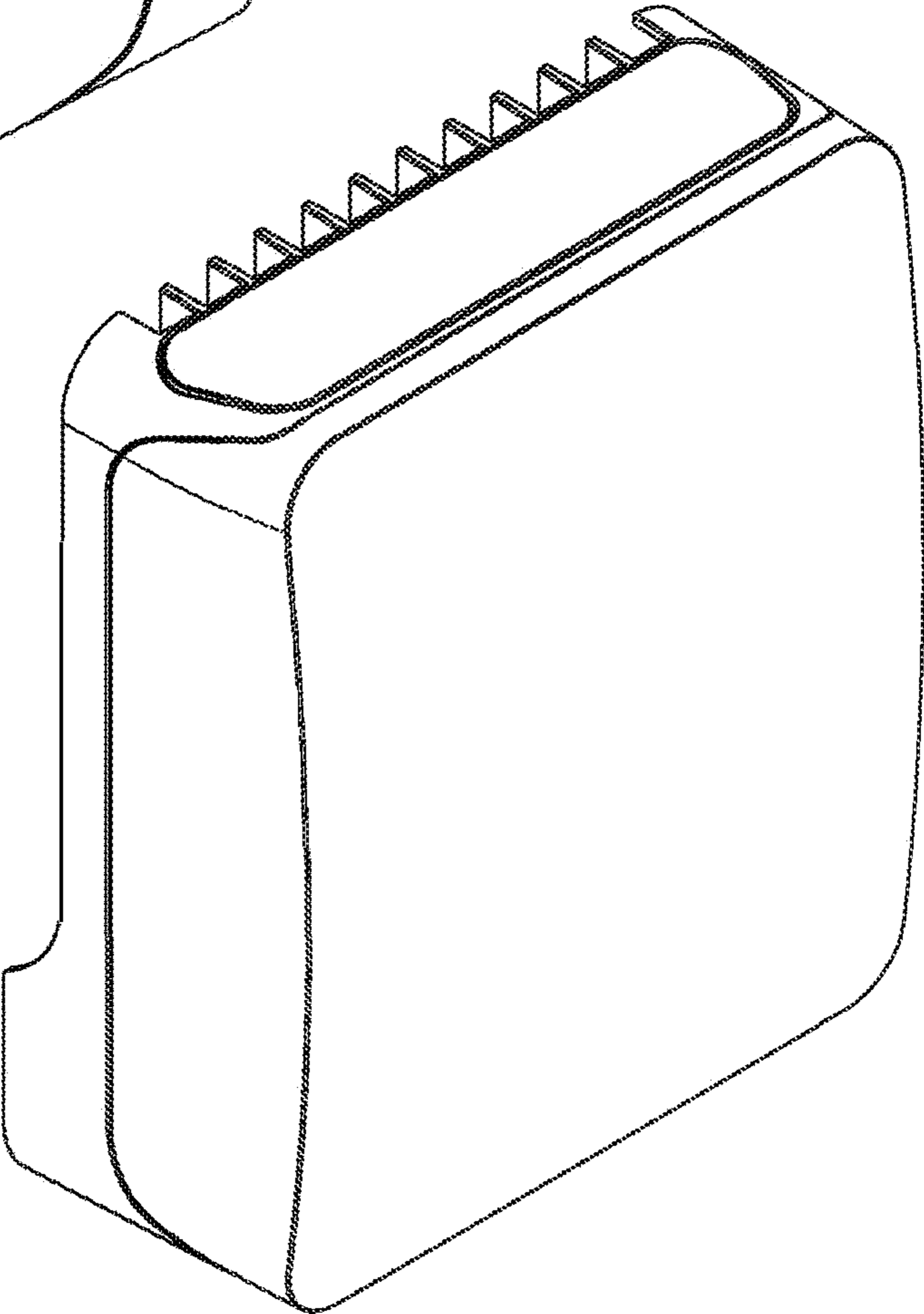


FIG. 2

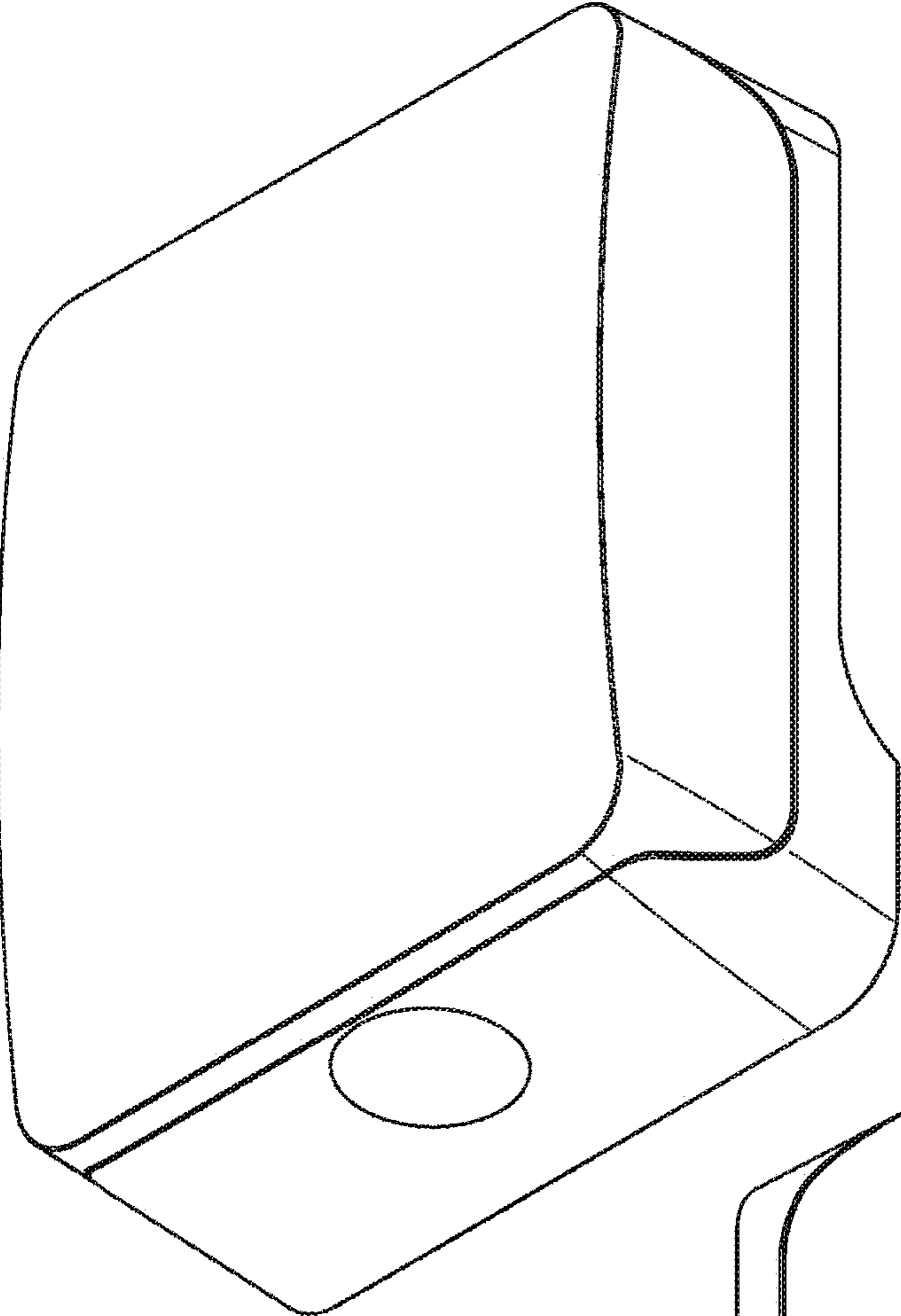


FIG. 3

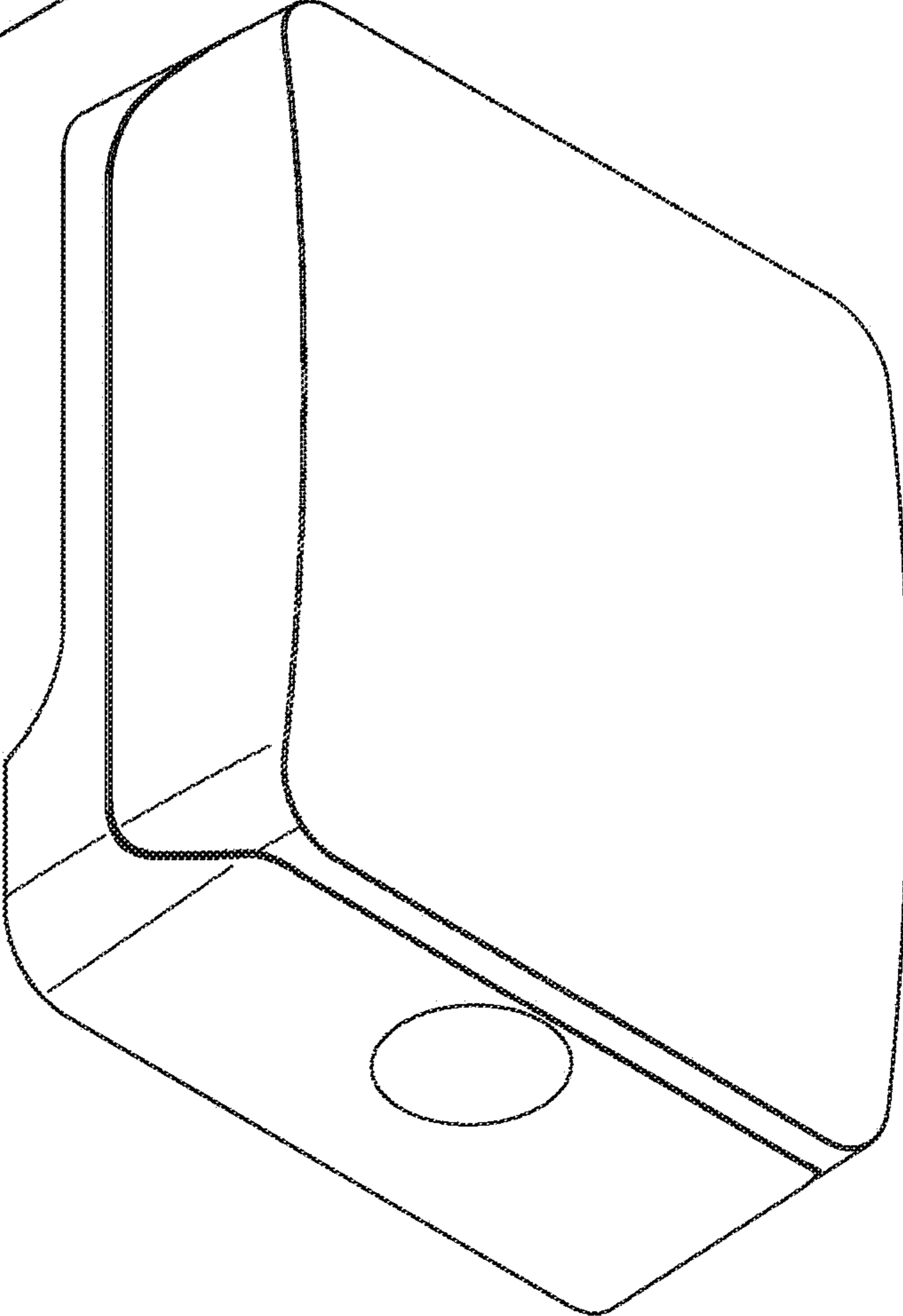


FIG. 4

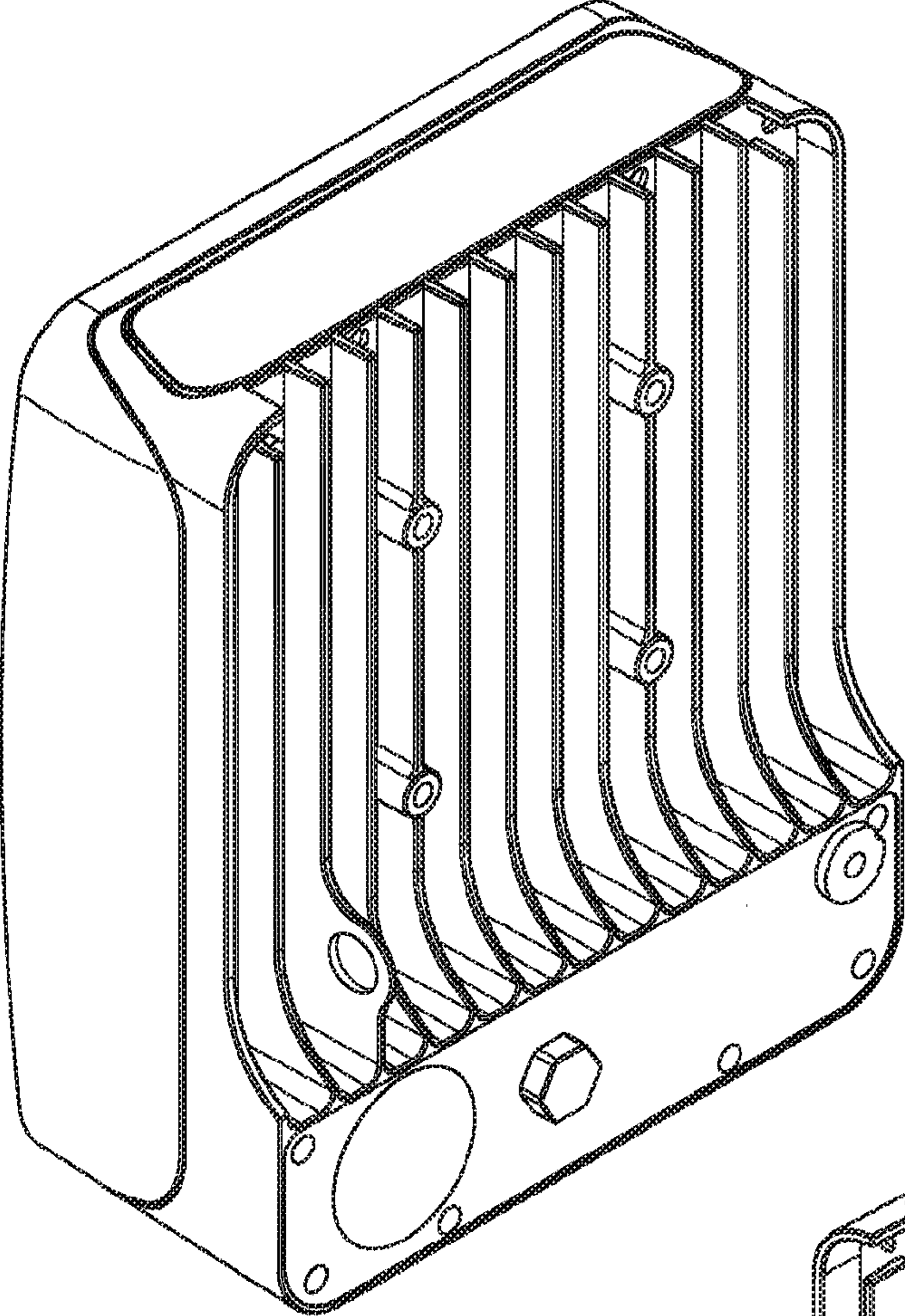


FIG. 5

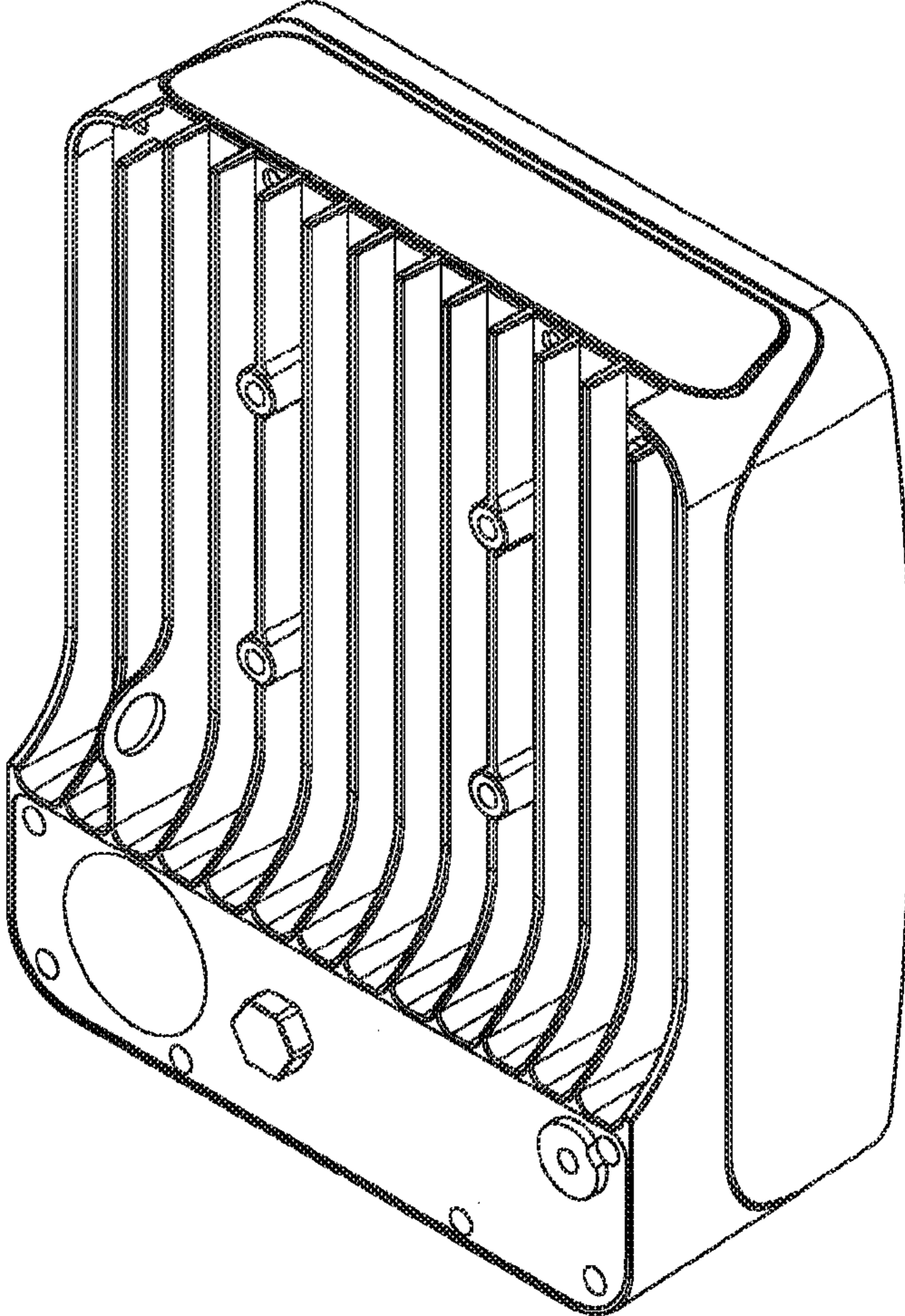


FIG. 6

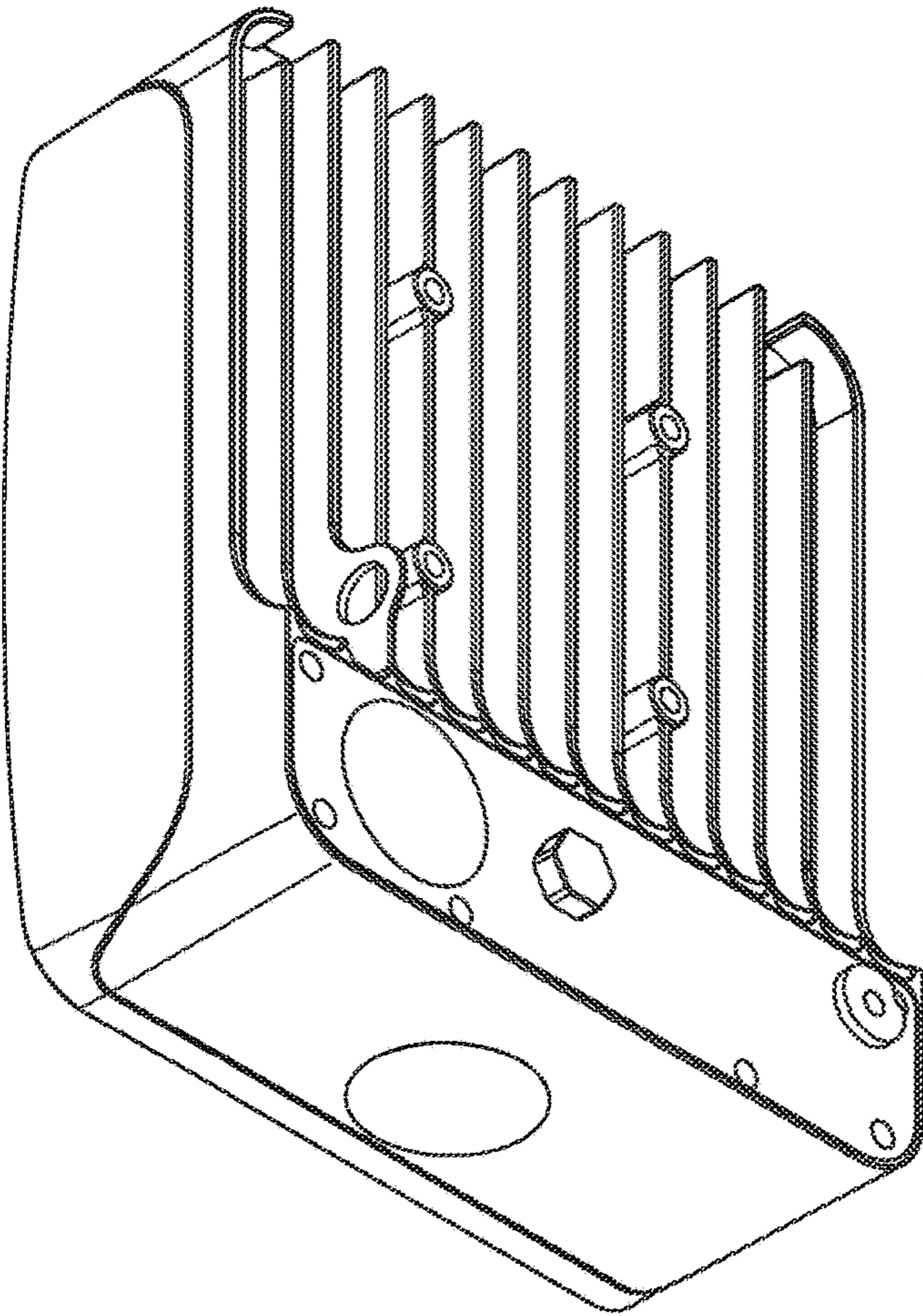


FIG. 7

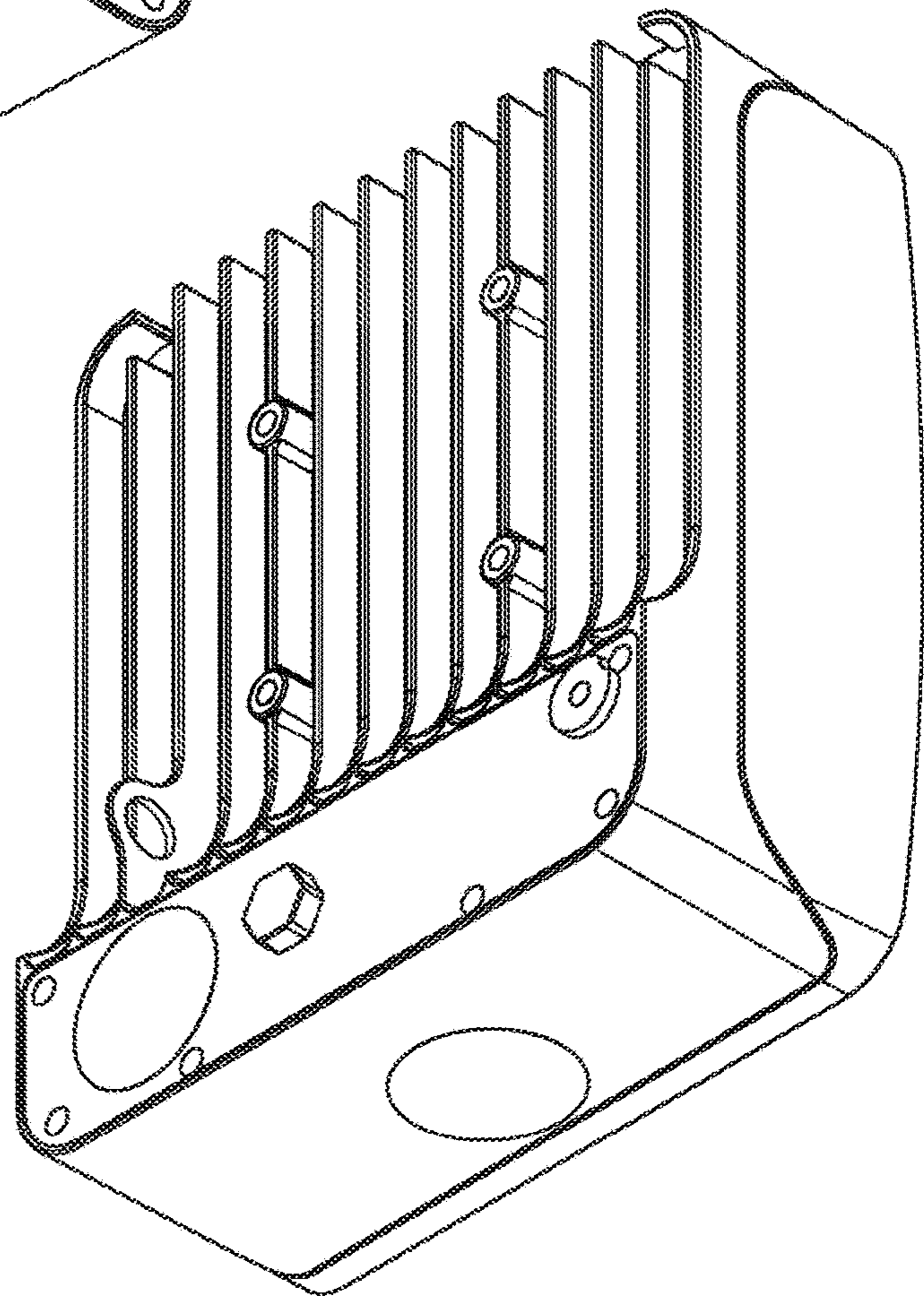


FIG. 8

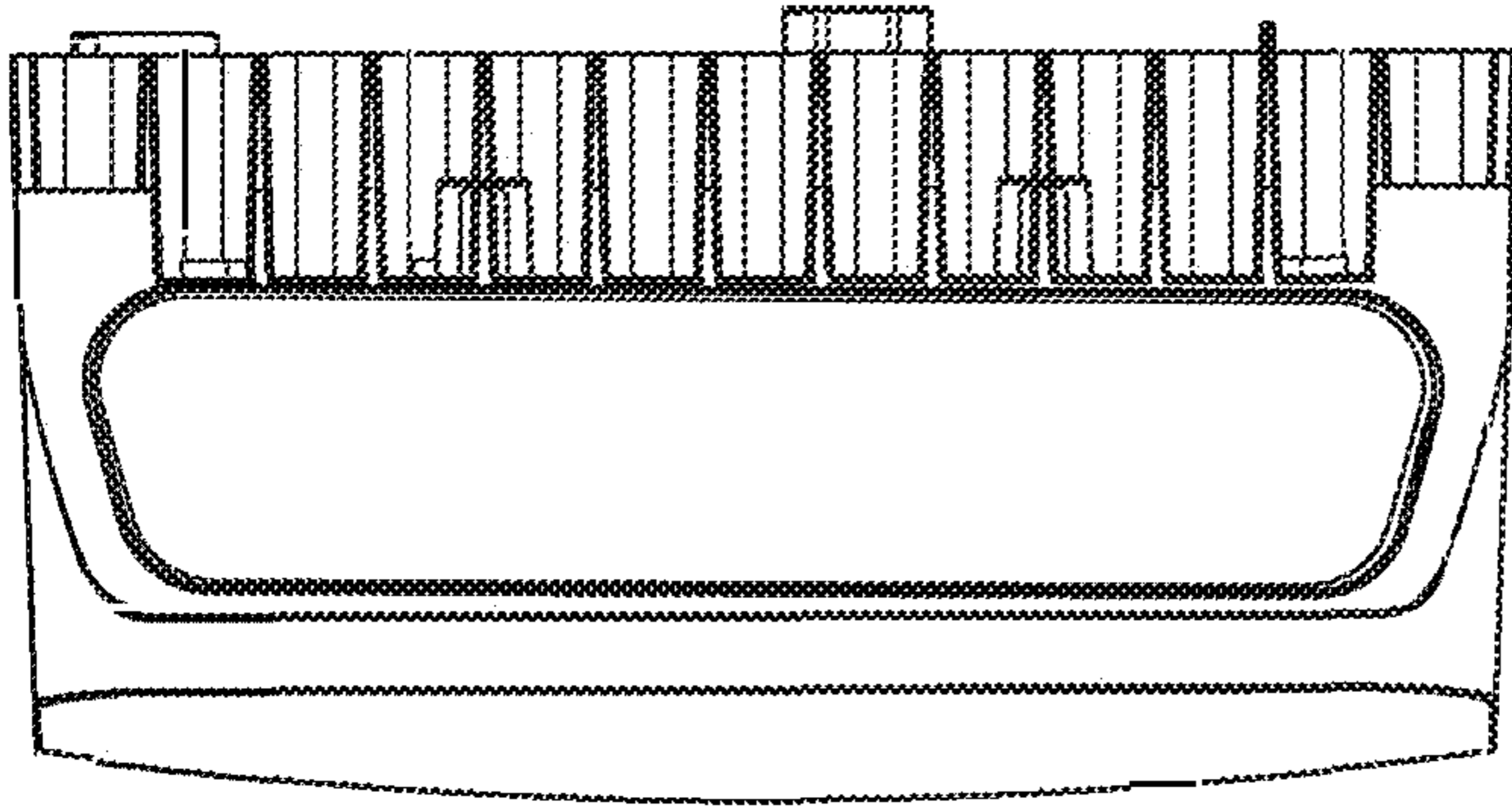


FIG. 9

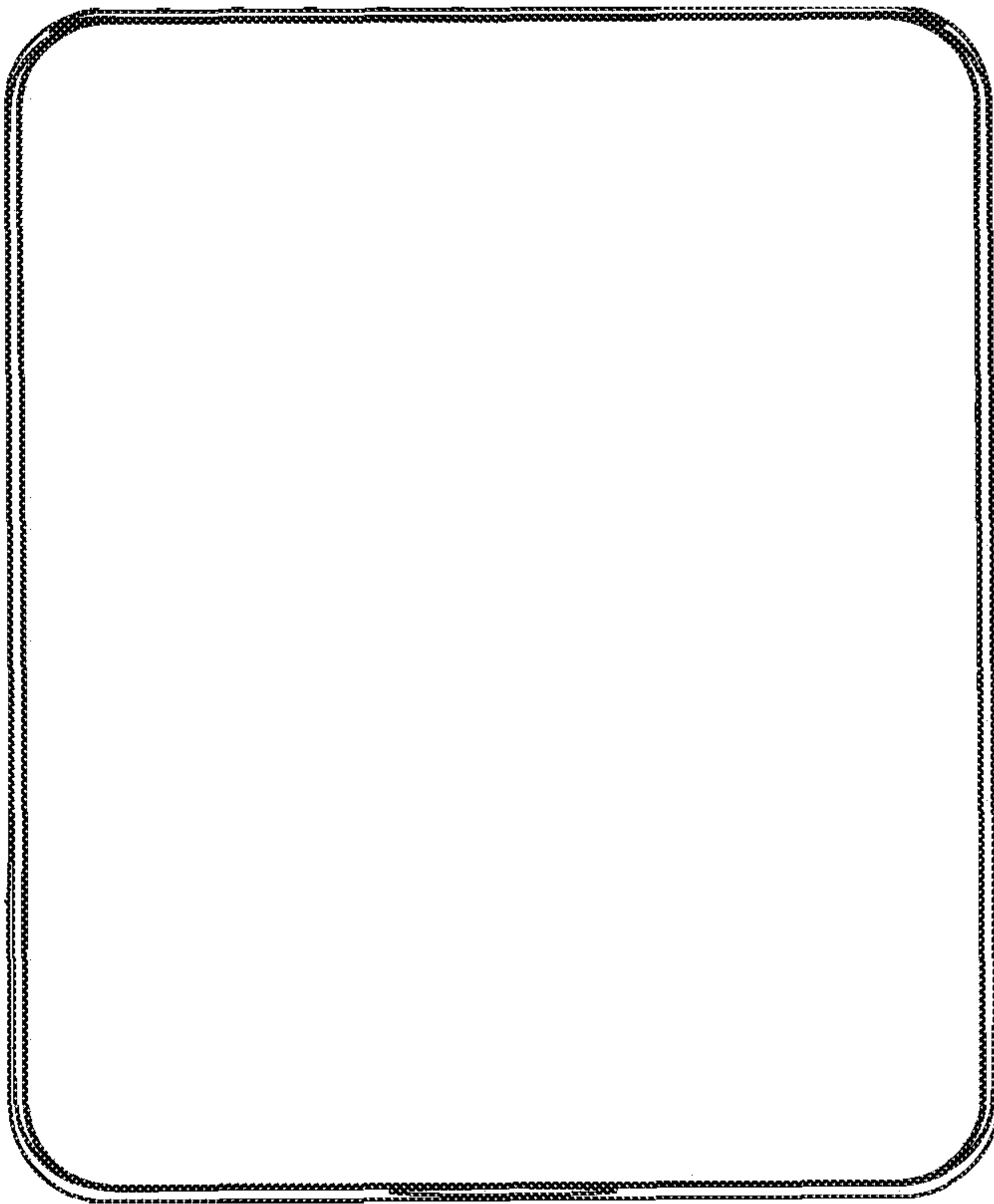


FIG. 10

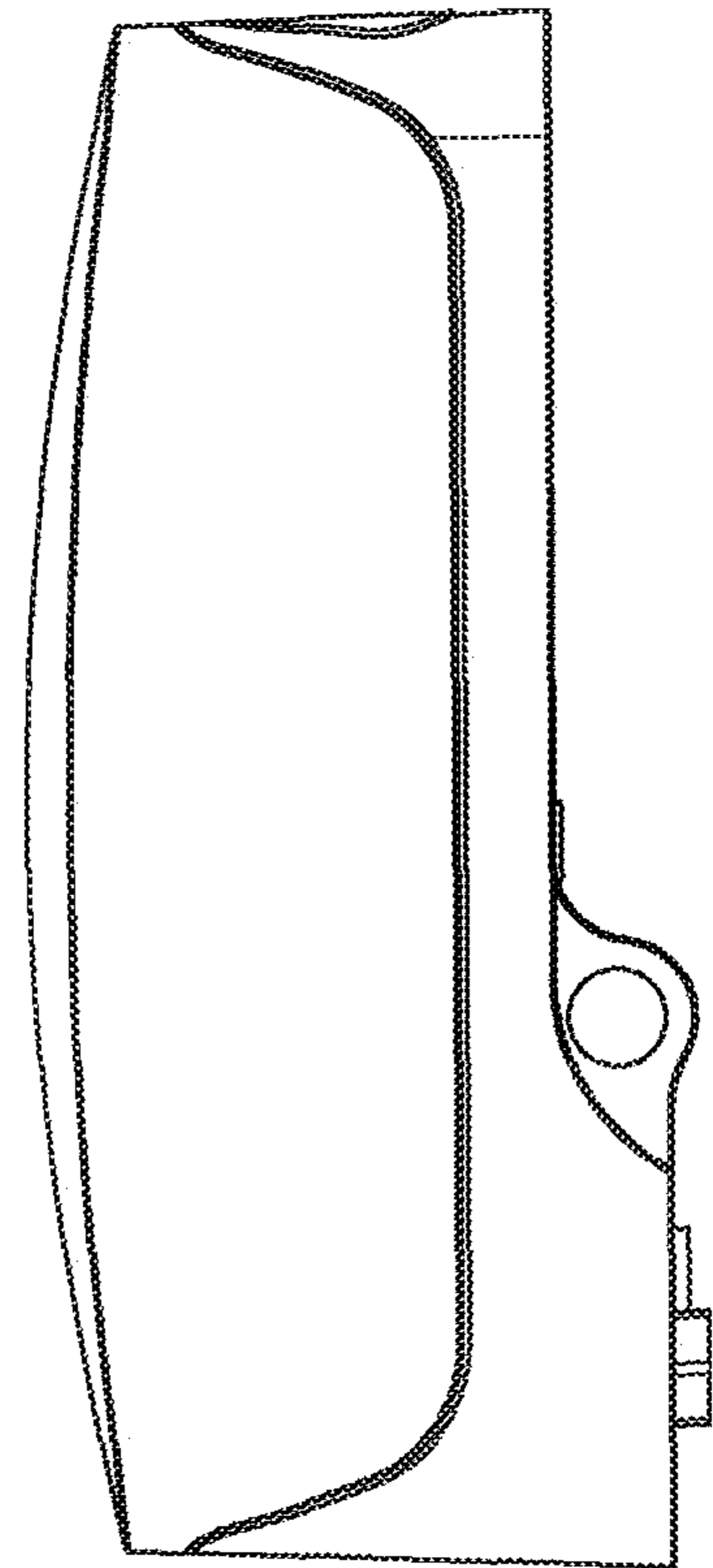


FIG. 11

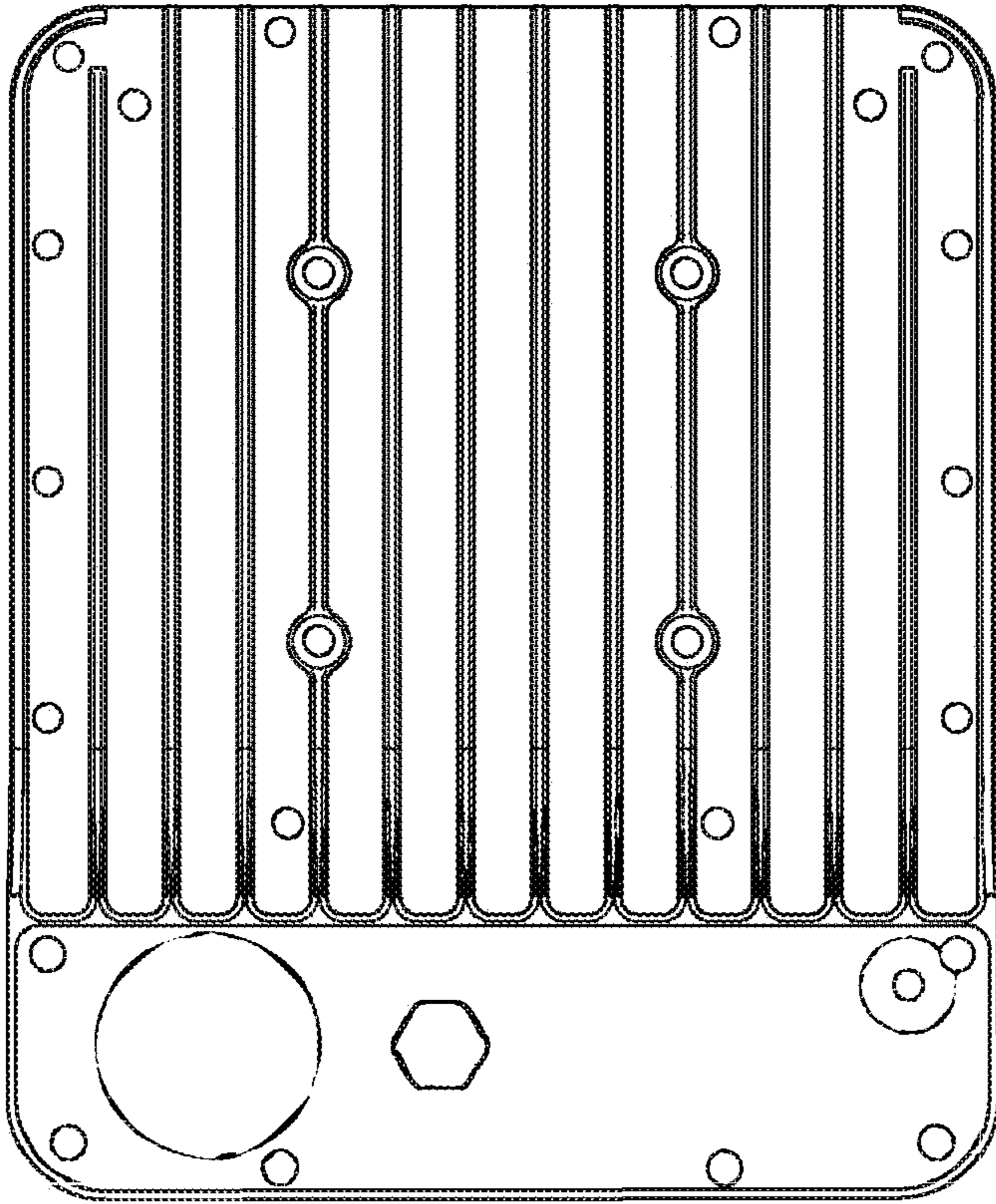


FIG. 12

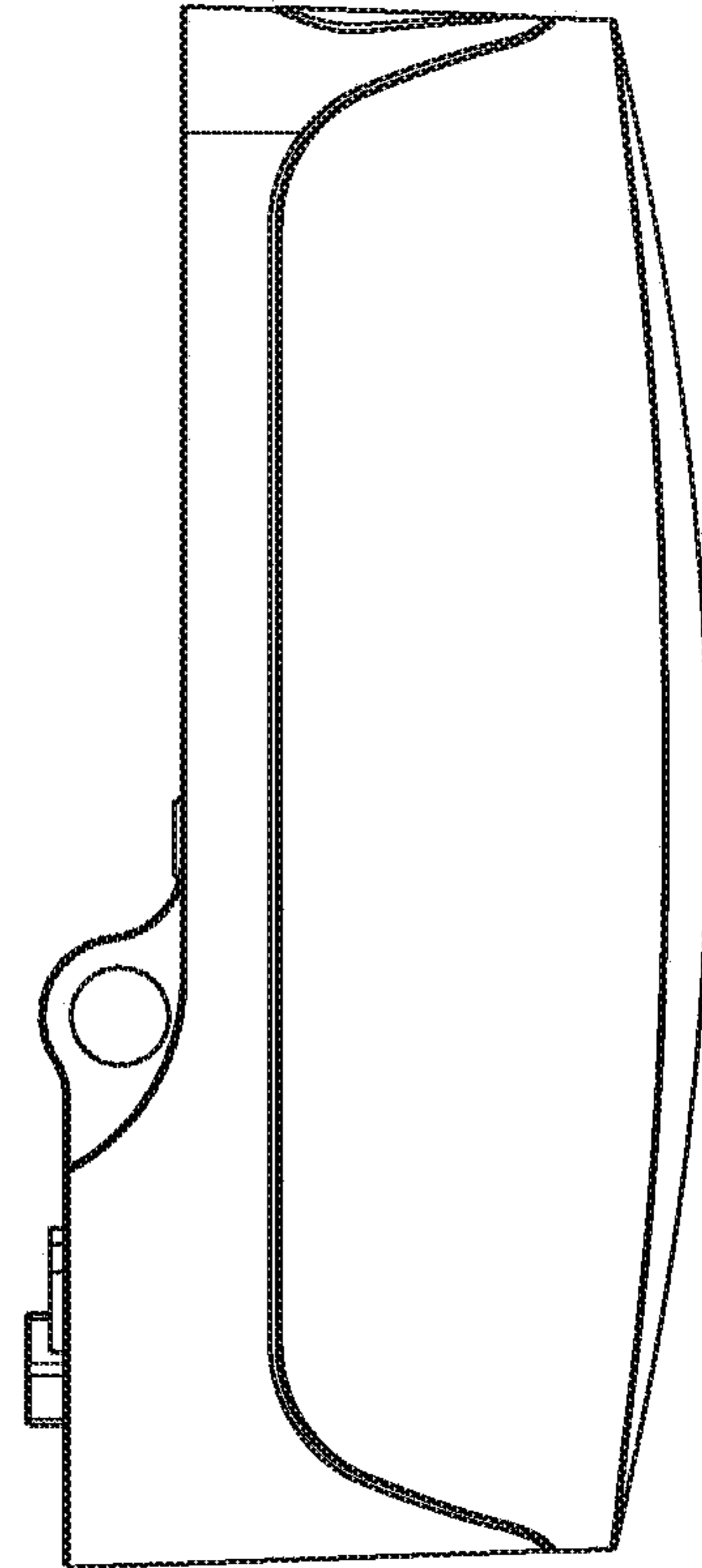


FIG. 13

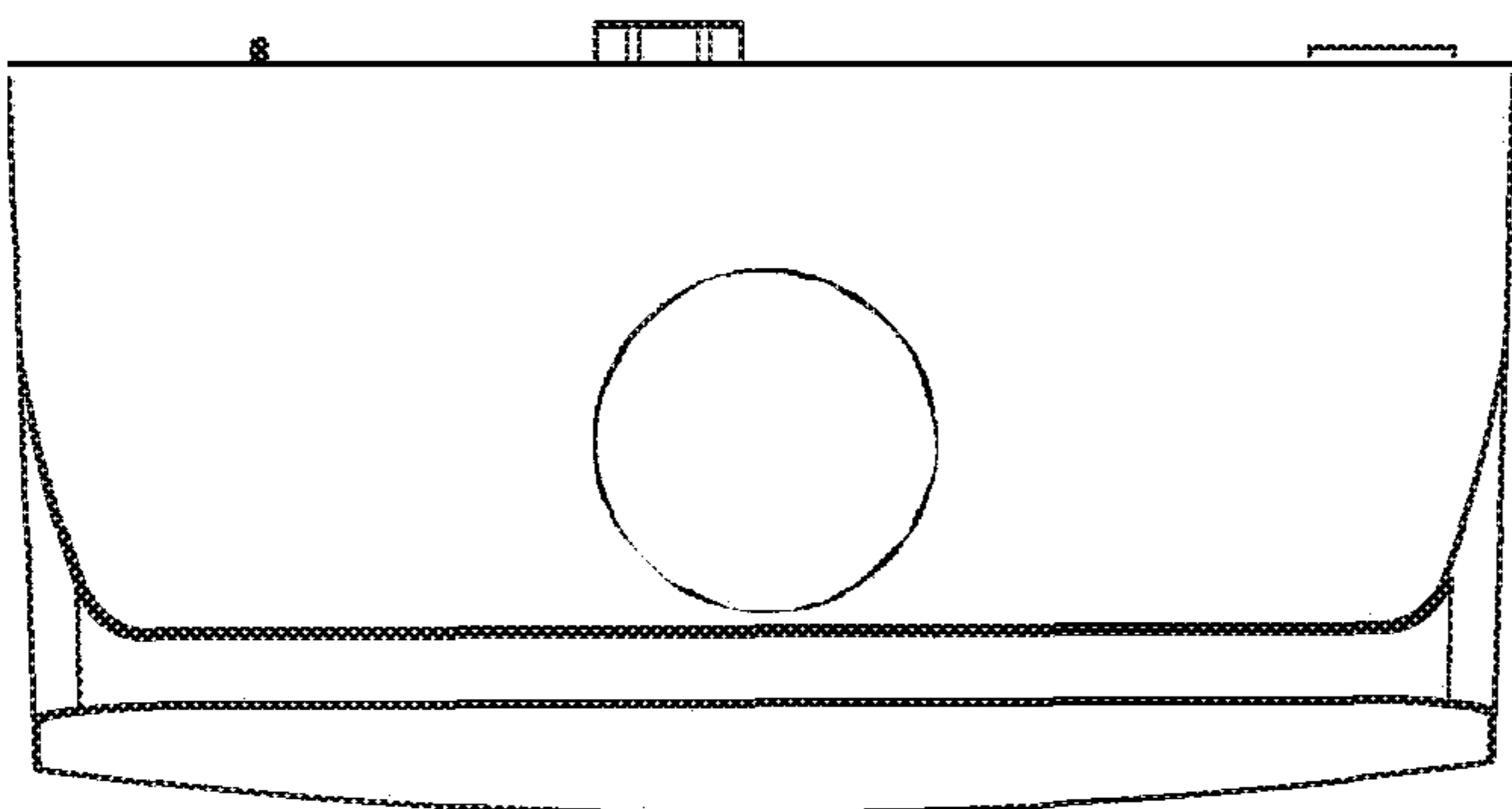


FIG. 14

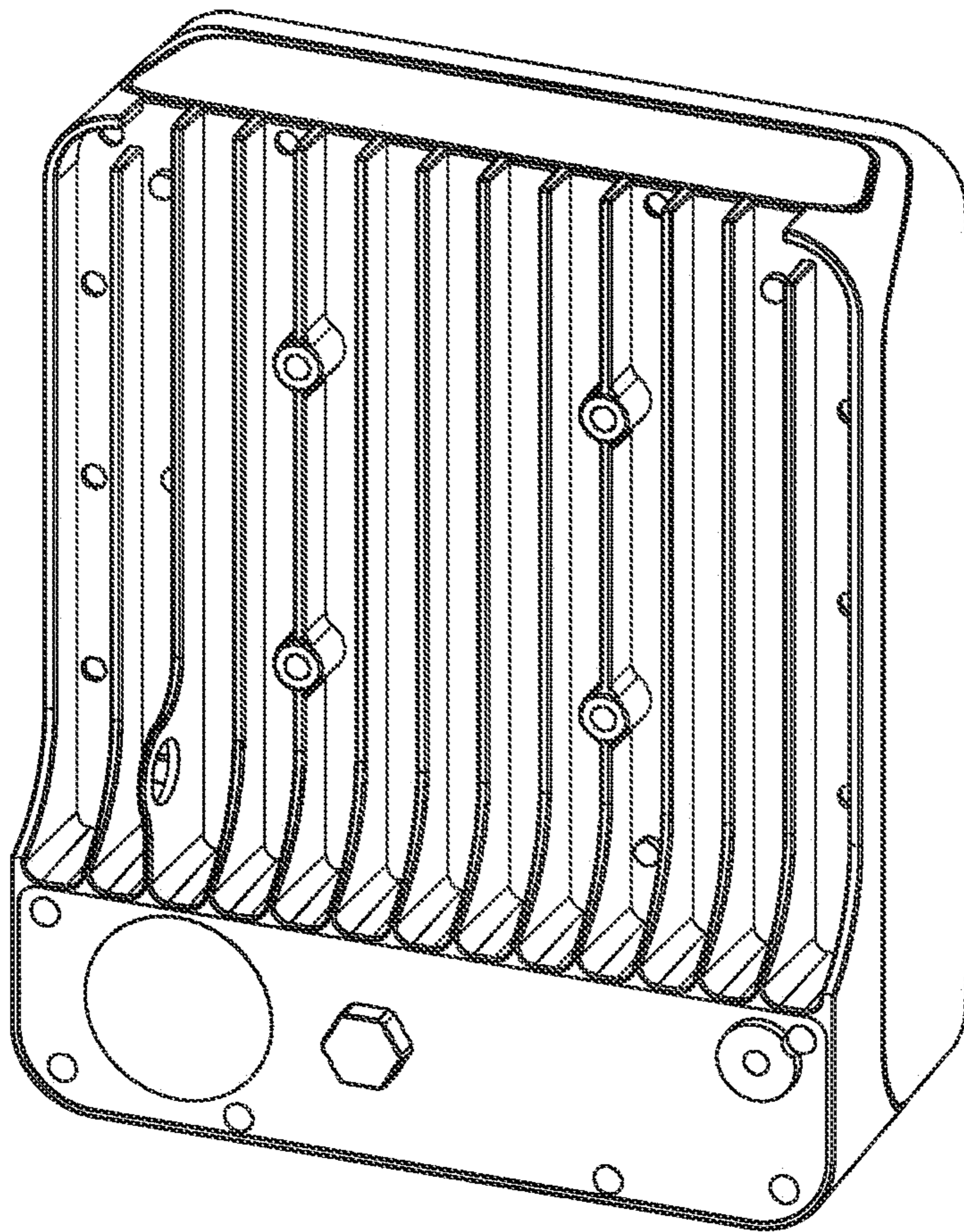


FIG. 15

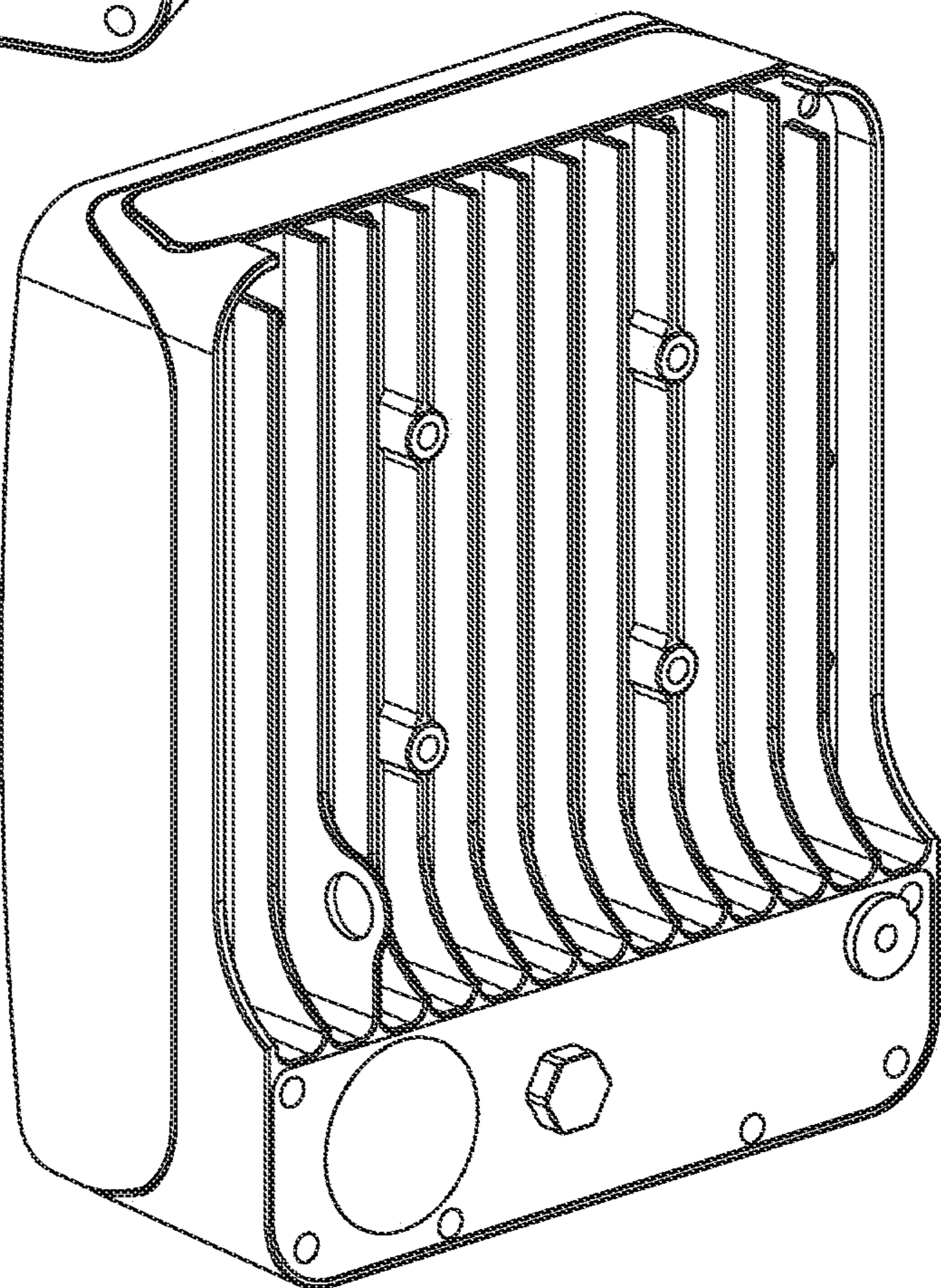


FIG. 16

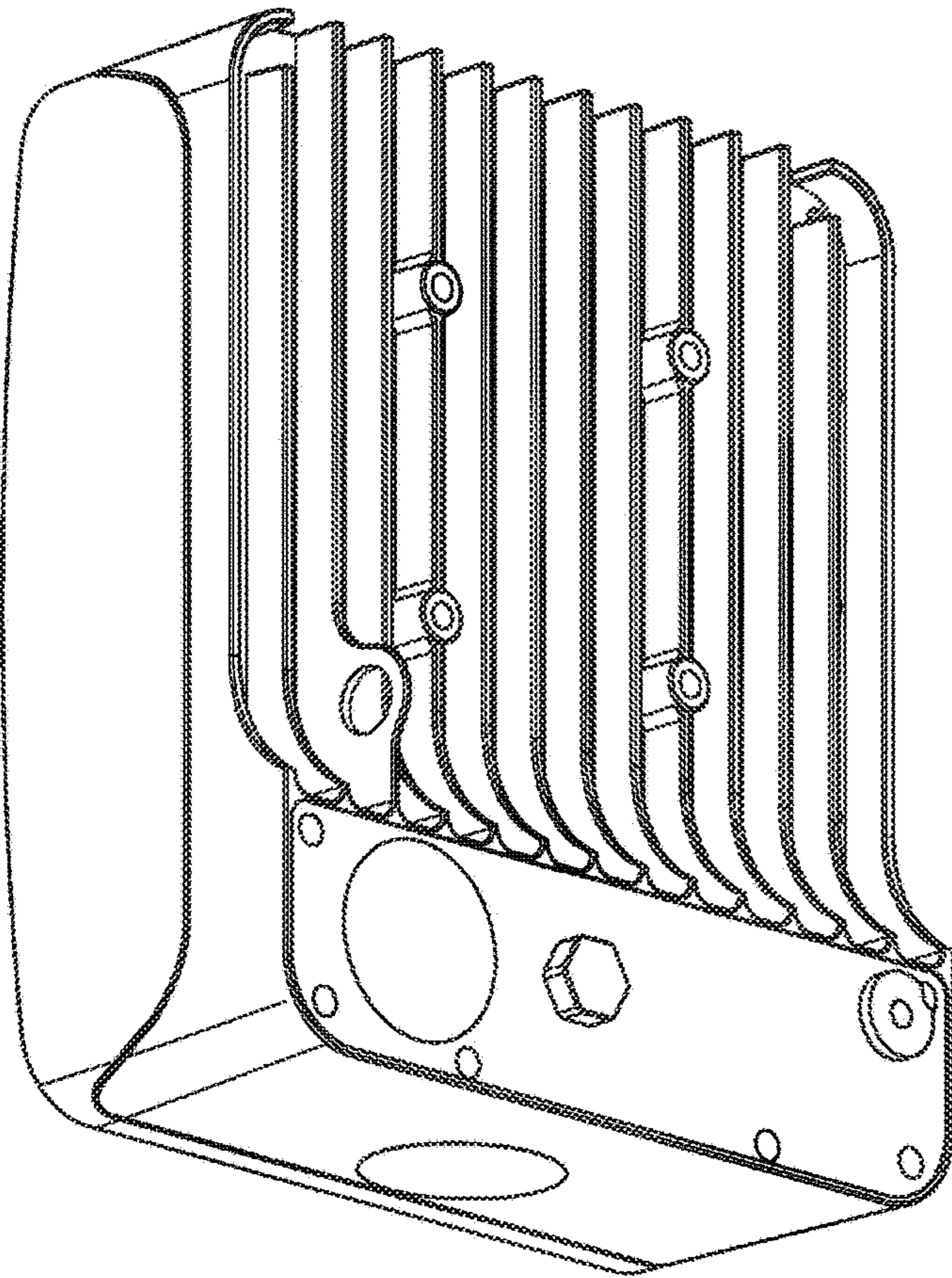


FIG. 17

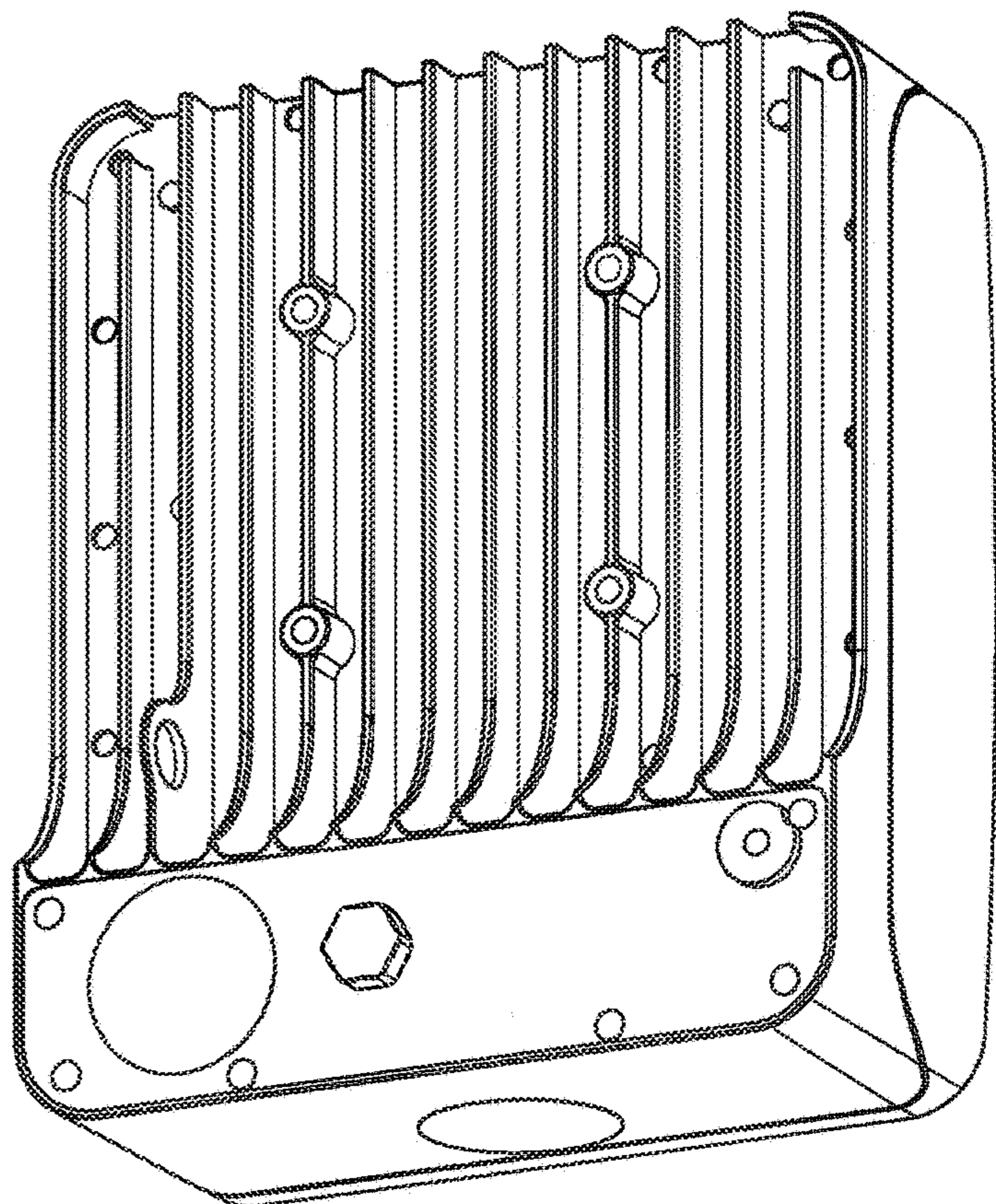


FIG. 18