



US00D920264S

(12) **United States Design Patent** (10) **Patent No.:** **US D920,264 S**
McBride et al. (45) **Date of Patent:** **** May 25, 2021**

(54) **SEMICONDUCTOR DEVICE**
(71) Applicant: **THE NOCO COMPANY**, Glenwillow, OH (US)
(72) Inventors: **James P. McBride**, Phoenix, AZ (US); **James Richard Stanfield**, Peoria, AZ (US)
(73) Assignee: **THE NOCO COMPANY**, Glenwillow, OH (US)
(**) Term: **15 Years**
(21) Appl. No.: **29/715,103**
(22) Filed: **Nov. 27, 2019**
(51) **LOC (13) Cl.** **13-03**
(52) **U.S. Cl.**
USPC **D13/182**
(58) **Field of Classification Search**
USPC D13/182
CPC H01L 21/00; H01L 21/02; H01L 21/4814; H01L 21/4846; H01L 21/4871; H01L 21/67144; H01L 2224/42; H01L 2224/43; H01L 2224/01; H01L 2224/08055; H01L 2224/08054; H01L 23/12; H01L 23/13; H01L 23/14; H01L 23/147; H01L 23/00; H01L 23/48; H01L 23/4926; H01L 23/495; H01L 23/49517; H01L 23/498; H01L 23/49805; H01L 23/49811; H01L 23/49861; H01L 23/49866; H01L 23/49872; H01L 23/49575; H01L 23/49579; H01L 2924/171; H01L 2924/1711; H01L 2924/1715; H01L 2924/181; H01L 2924/1811; H01L 2924/1815; H01L 2924/19042; H01L 2924/1905
See application file for complete search history.

(56) **References Cited**
U.S. PATENT DOCUMENTS
4,807,087 A * 2/1989 Sawaya H05K 3/308 361/773
4,916,519 A * 4/1990 Ward H01L 23/495 257/666

4,951,124 A * 8/1990 Sawaya H05K 3/308 257/692
D317,592 S * 6/1991 Yoshizawa D13/182
D345,731 S * 4/1994 Owens D13/182
5,563,441 A * 10/1996 Kato H01L 23/49548 257/666
D394,244 S * 5/1998 Majumdar D13/182
(Continued)

FOREIGN PATENT DOCUMENTS

DE 102019128825 A1 * 4/2020 H01S 5/02248

OTHER PUBLICATIONS

Semiconductor Device, Siddhi Electronics, <https://www.indiamart.com/proddetail/semiconductor-device-11687884748.html>. Jan. 2011 (Year: 2011).*
(Continued)

Primary Examiner — Elizabeth J Oswecki
(74) *Attorney, Agent, or Firm* — Vorys, Sater, Seymour & Pease LLP; William Klima

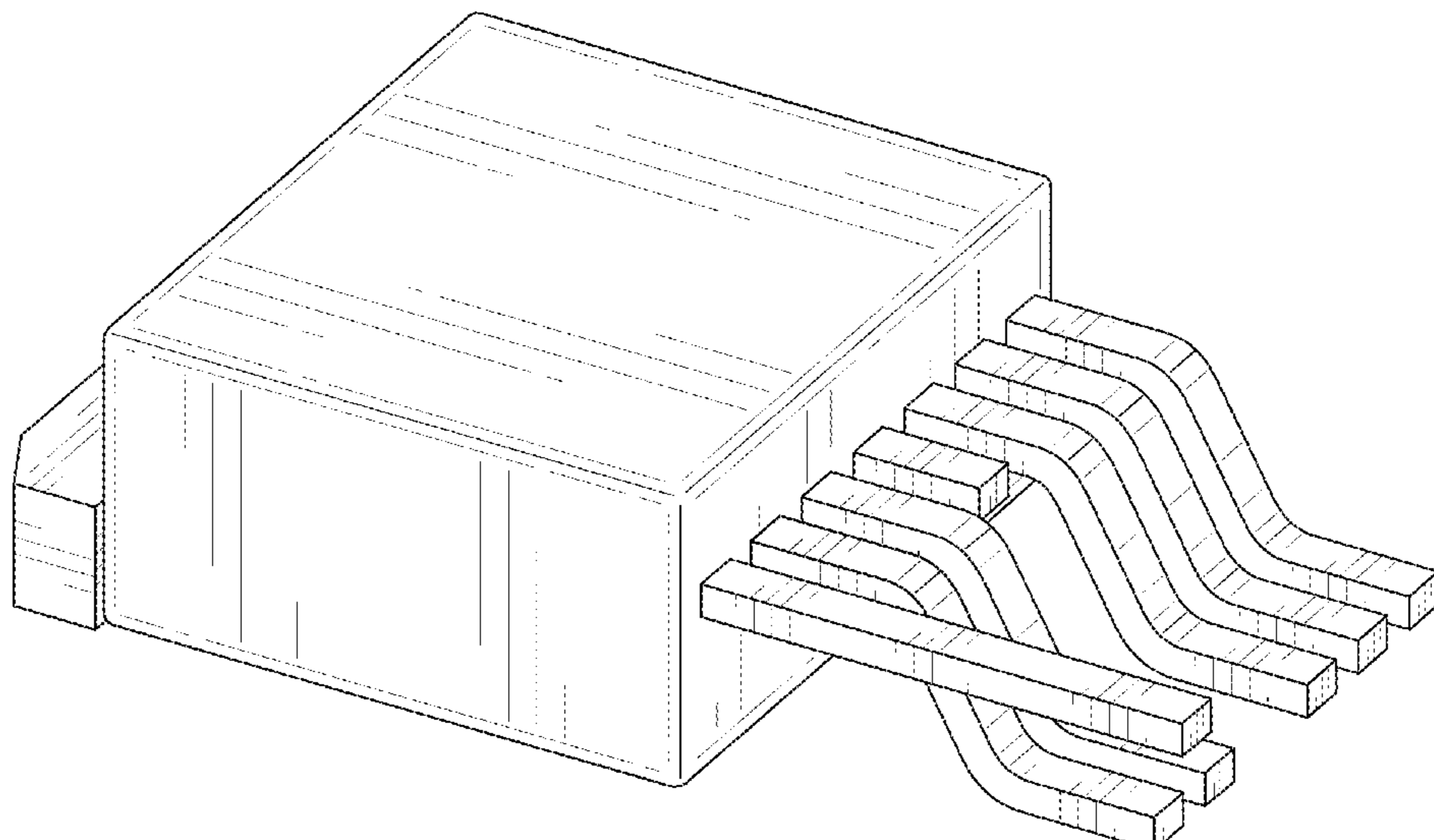
(57) **CLAIM**

The ornamental design for a semiconductor device, as shown and described.

DESCRIPTION

FIG. 1 is a perspective view of a semiconductor device showing our new design;
FIG. 2 is a left side view thereof;
FIG. 3 is a right side view thereof;
FIG. 4 is a rear view thereof;
FIG. 5 is a front view thereof;
FIG. 6 is a top view thereof; and,
FIG. 7 is a bottom view thereof.

1 Claim, 7 Drawing Sheets



(56)

References Cited

U.S. PATENT DOCUMENTS

D395,423 S * 6/1998 Koyama D13/182
 D395,638 S * 6/1998 Koyama D13/182
 D396,846 S * 8/1998 Nakayama D13/182
 D396,847 S * 8/1998 Nakayama D13/182
 D418,485 S * 1/2000 Kawafuji D13/182
 D421,969 S * 3/2000 Kawafuji D13/182
 D428,859 S * 8/2000 Kawafuji D13/182
 6,100,580 A * 8/2000 Murakami H01L 25/105
 D432,097 S * 10/2000 Song D13/182
 D448,739 S * 10/2001 Iwasaki D13/182
 D448,740 S * 10/2001 Iwasaki D13/182
 6,476,481 B2 * 11/2002 Woodworth H01L 23/49562
 D466,485 S * 12/2002 Maehara D13/182
 D470,463 S * 2/2003 Iwasaki D13/182
 D470,824 S * 2/2003 Iwasaki D13/182
 D472,530 S * 4/2003 Iwasaki D13/182
 D489,338 S * 5/2004 Seddon D13/182
 D505,399 S * 5/2005 Yoshida D13/182
 D505,400 S * 5/2005 Kawafuji D13/182
 D539,761 S * 4/2007 Takahashi D13/182
 D548,202 S * 8/2007 Takahashi D13/182

D548,203 S * 8/2007 Takahashi D13/182
 D717,253 S * 11/2014 Jo D13/182
 D717,254 S * 11/2014 Jo D13/182
 D717,255 S * 11/2014 Lim D13/182
 D717,256 S * 11/2014 Sohn D13/182
 D719,113 S * 12/2014 Sohn D13/182
 D770,994 S * 11/2016 Hasegawa D13/182
 D783,550 S * 4/2017 Hasegawa D13/182
 D824,866 S * 8/2018 Matsubara D13/182
 D859,334 S * 9/2019 Yokoyama D13/182
 D874,411 S * 2/2020 Kanda D13/182
 10,790,245 B2 * 9/2020 Kubo H01L 23/49838
 D902,877 S * 11/2020 Hirata D13/182
 2003/0042584 A1 * 3/2003 Yamaguchi H01L 23/49503
 2017/0133315 A1 * 5/2017 Kawazu H01L 23/047

OTHER PUBLICATIONS

Crystals Electronic Isolator Semiconductor, Connector Devices Private Limited, <https://www.indiamart.com/proddetail/crystals-electronic-isolator-semiconductor-7050210097.html>, Apr. 2008 (Year: 2008).*

* cited by examiner

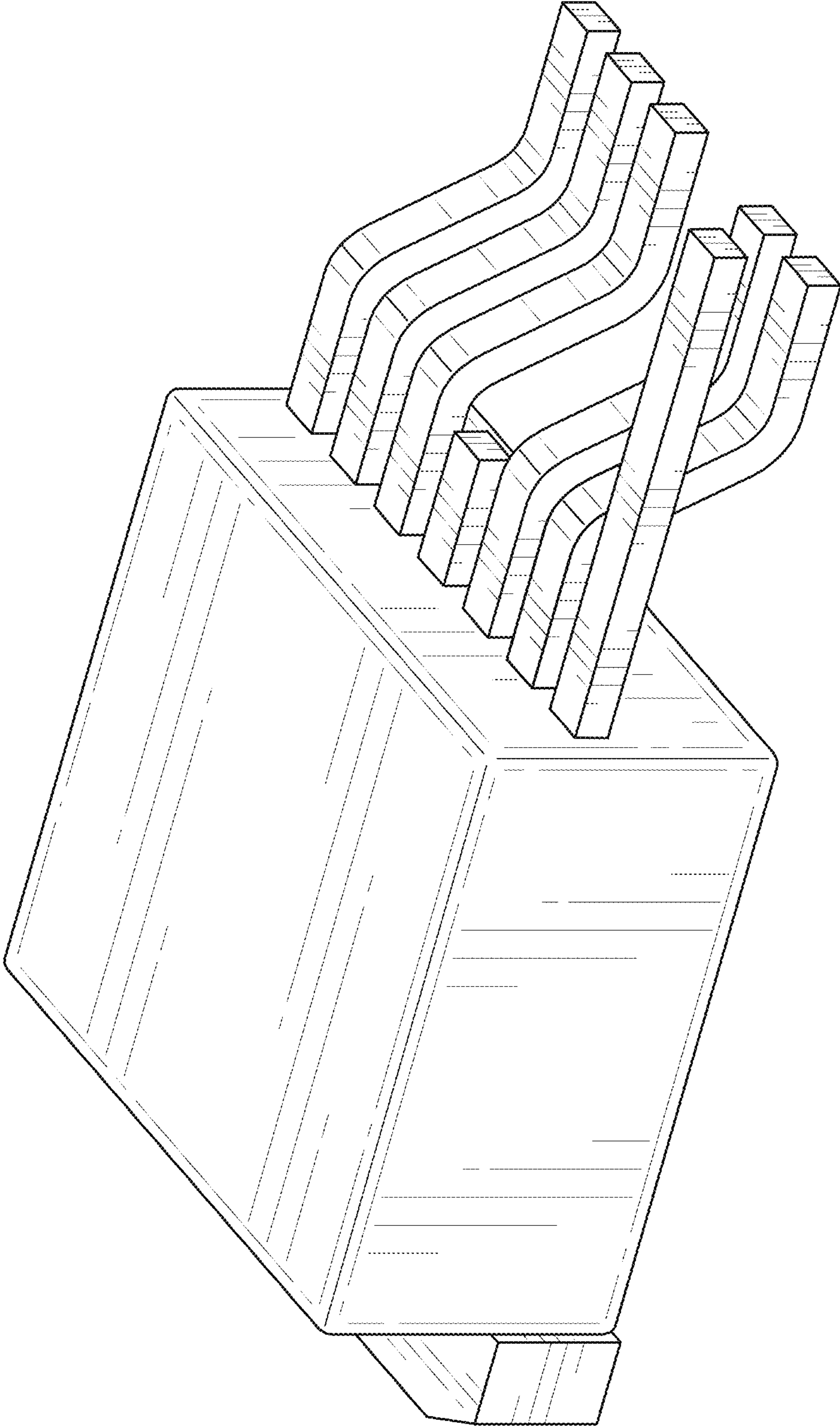


FIG. 1

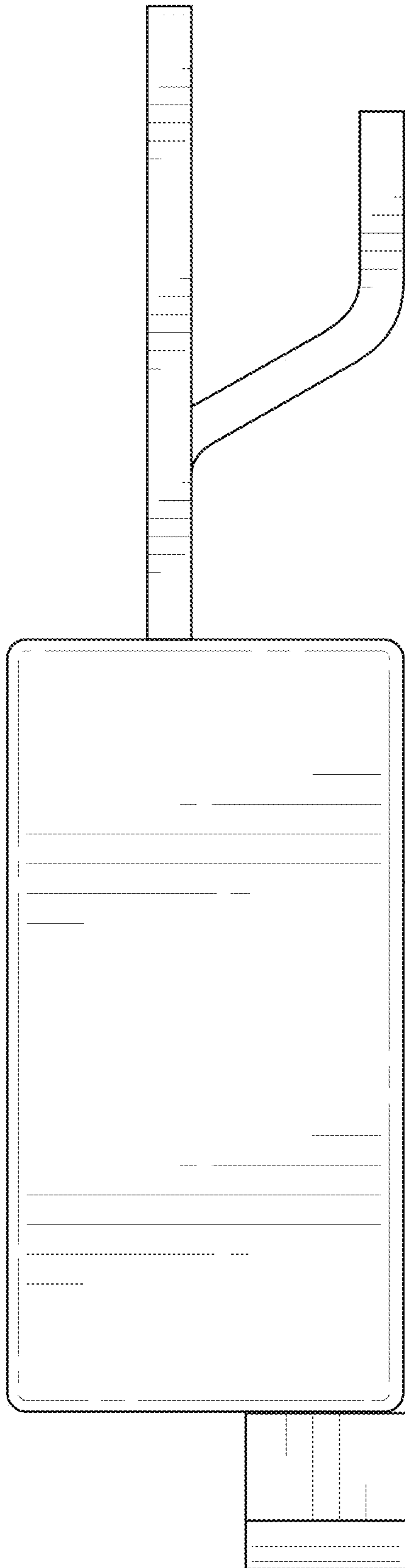


FIG. 2

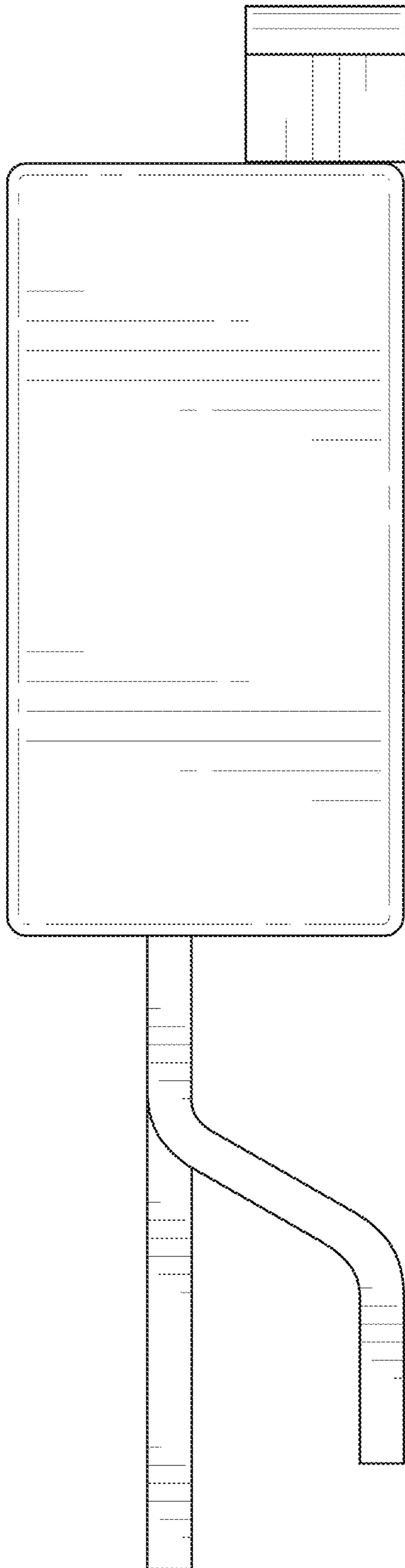


FIG. 3

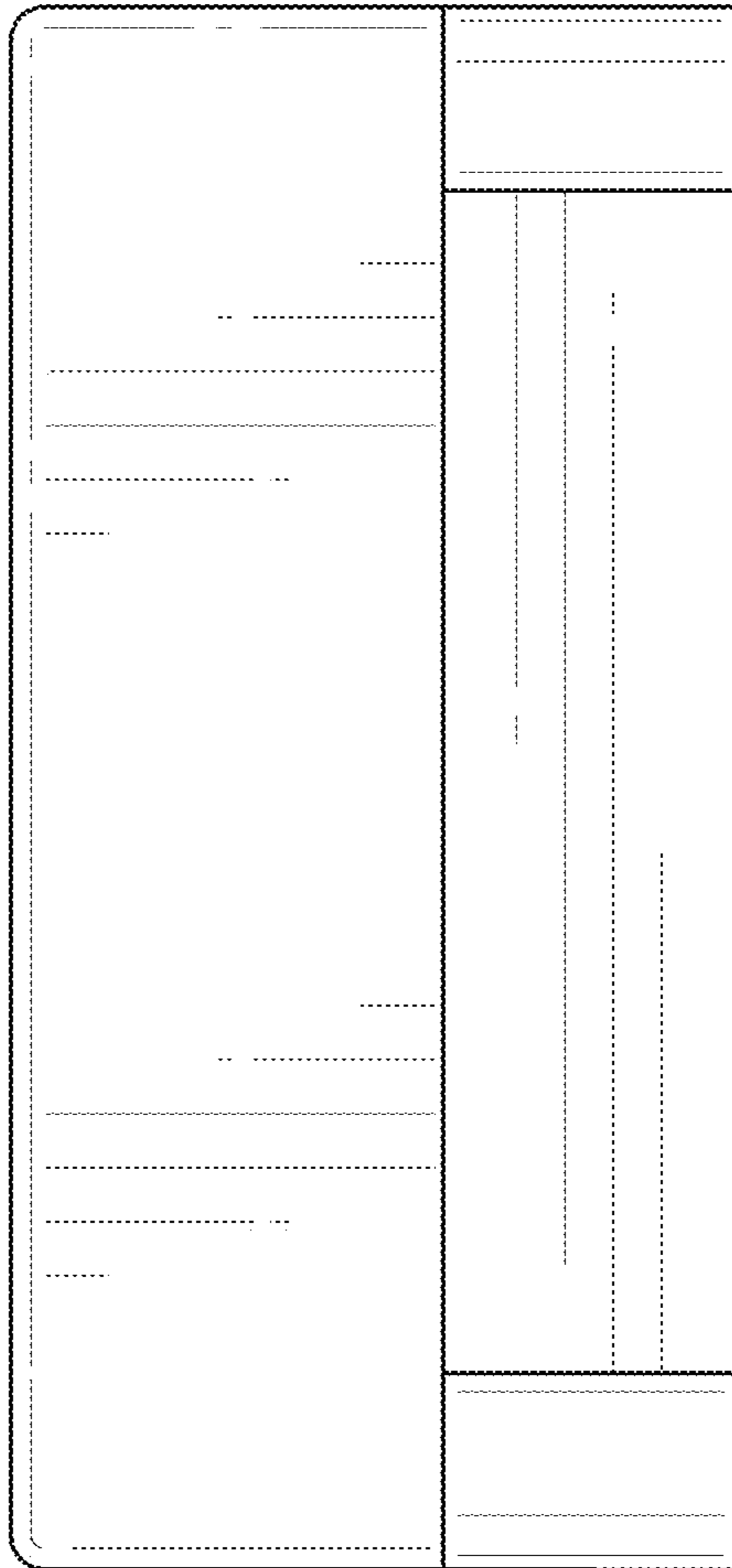


FIG. 4

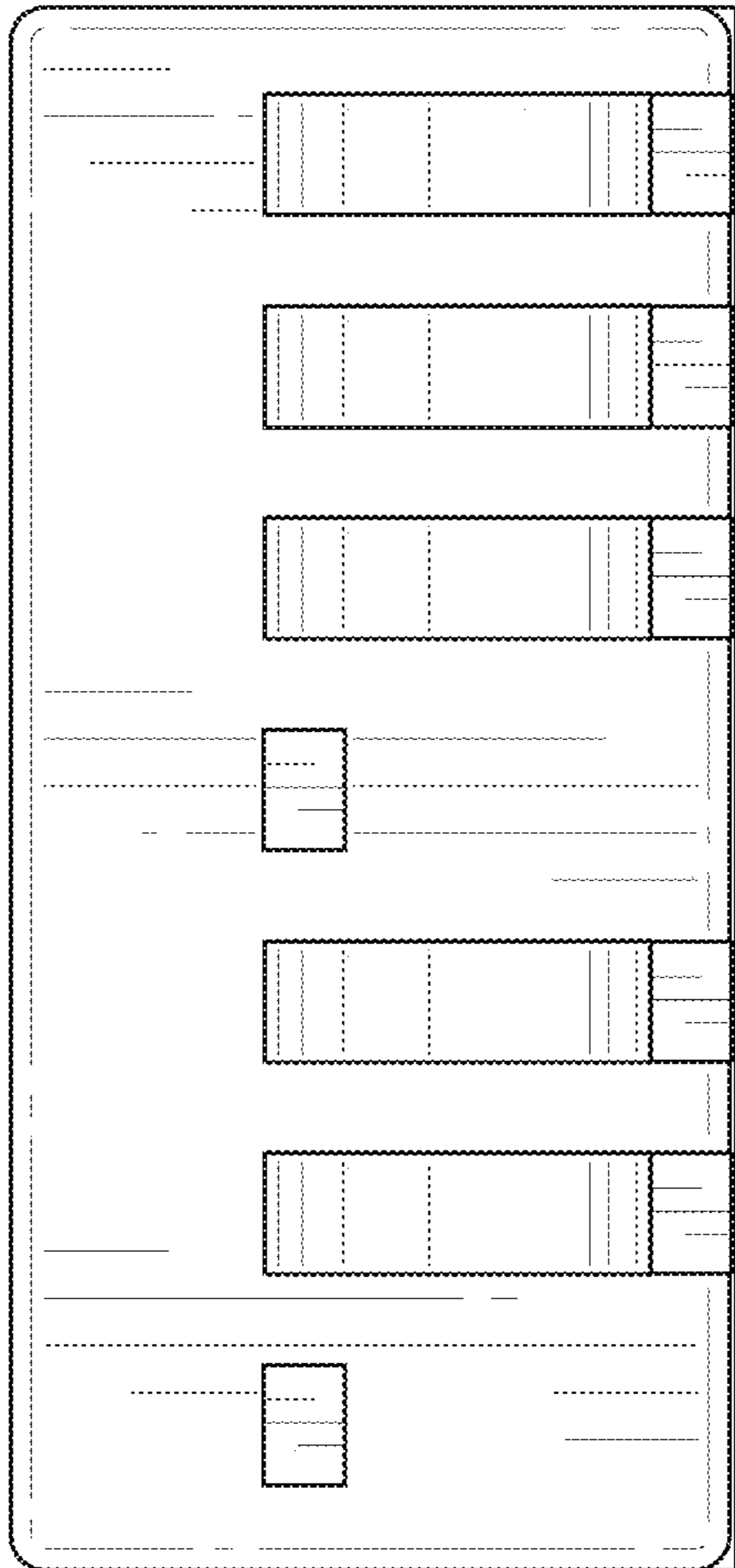


FIG. 5

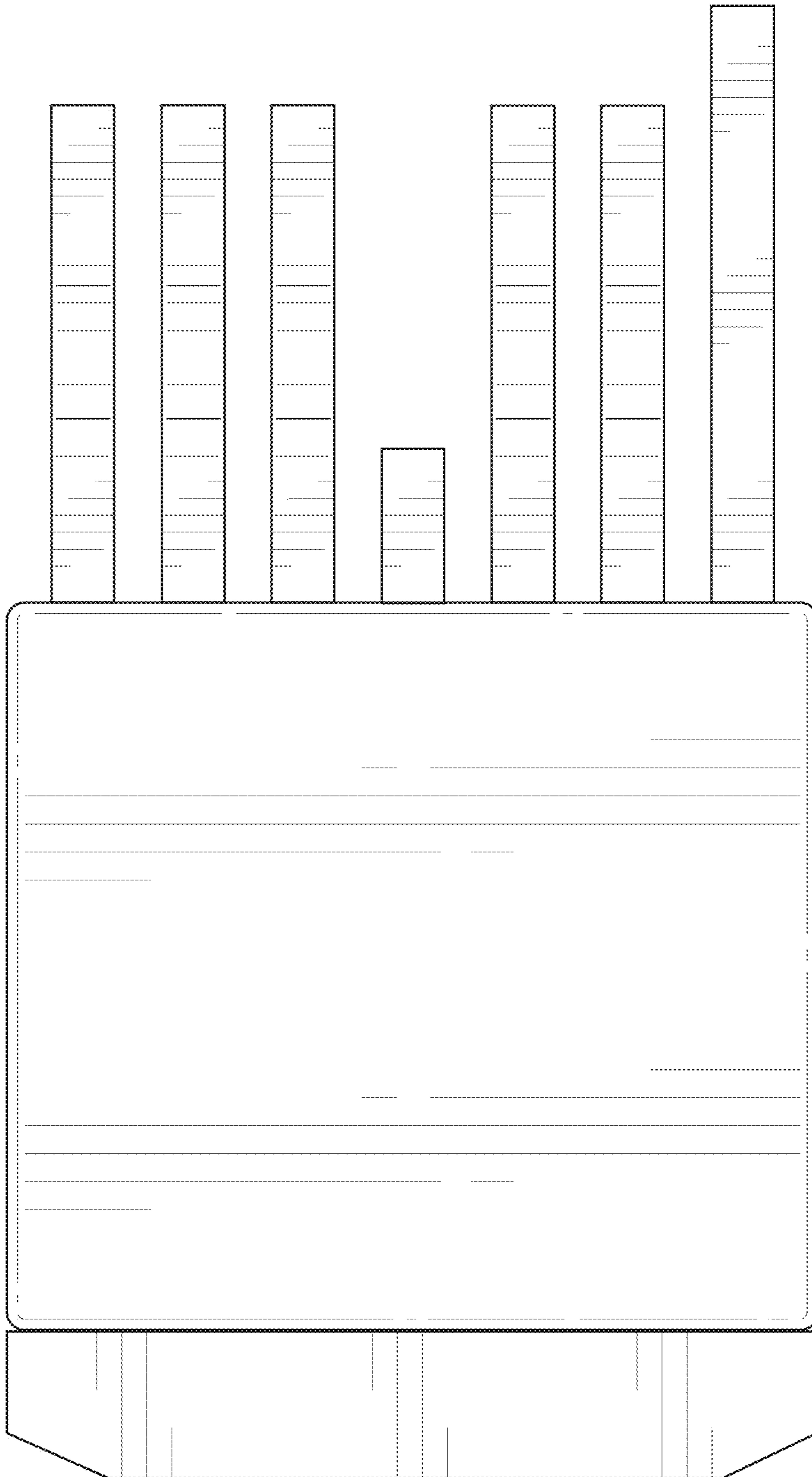


FIG. 6

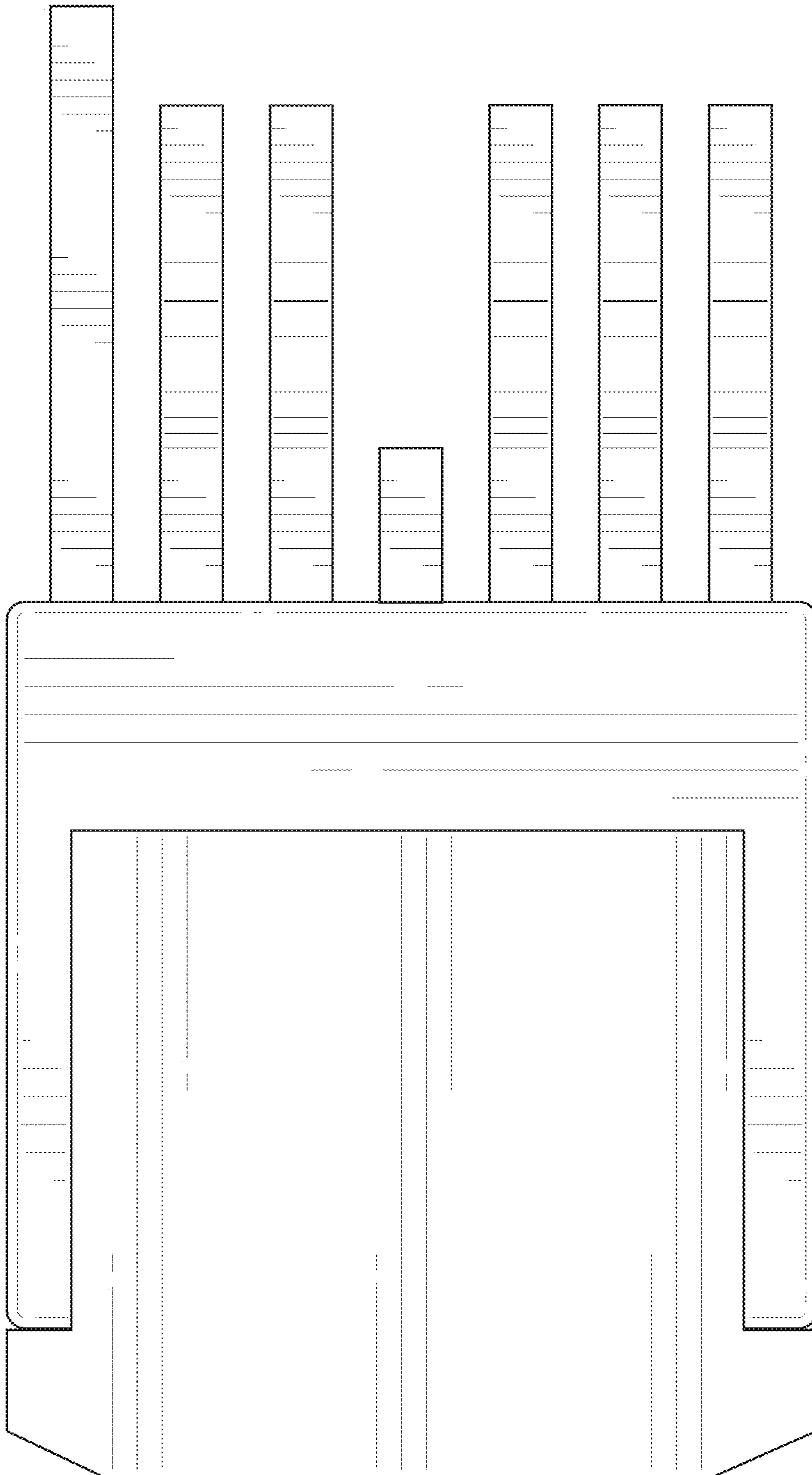


FIG. 7