



US00D920261S

(12) **United States Design Patent**
Isshiki et al.

(10) **Patent No.:** **US D920,261 S**

(45) **Date of Patent:** **** May 25, 2021**

(54) **REMOTE CONTROLLER FOR AIR
CONDITIONER**

11/0012; F24F 11/0086; F24F 11/0009;
F24F 2011/0057; F24F 2011/0073; F24F
2011/0091

(71) Applicant: **Toshiba Carrier Corporation,**
Kawasaki (JP)

See application file for complete search history.

(72) Inventors: **Masao Isshiki,** Tokyo (JP); **Masayuki
Horikawa,** Tokyo (JP); **Kaori Hoshino,**
Tokyo (JP)

(56) **References Cited**

U.S. PATENT DOCUMENTS

(73) Assignee: **TOSHIBA CARRIER
CORPORATION,** Kawasaki (JP)

D492,684 S *	7/2004	Ozolins	D14/374
D582,800 S *	12/2008	Comerford	D10/50
D661,662 S *	6/2012	Kikuchi	D13/168
D673,467 S *	1/2013	Lee	D10/50
D678,218 S *	3/2013	Sheen	D13/168
D678,219 S *	3/2013	Higashijima	D13/168
D684,872 S *	6/2013	Bias	D10/49
D727,180 S *	4/2015	Lai	D10/50
D729,793 S *	5/2015	Hickok	D14/126
D733,591 S *	7/2015	Golden	D10/50

(**) Term: **15 Years**

(21) Appl. No.: **29/677,121**

(22) Filed: **Jan. 17, 2019**

(Continued)

(30) **Foreign Application Priority Data**

Primary Examiner — Selina Sikder

Jul. 20, 2018 (JP) 2018-015866

(74) *Attorney, Agent, or Firm* — Westerman, Hattori,
Daniels & Adrian, LLP

(51) **LOC (13) Cl.** **14-03**

(57) **CLAIM**

(52) **U.S. Cl.**
USPC **D13/168; D10/50**

The ornamental design for a remote controller for air con-
ditioner, as shown and described.

(58) **Field of Classification Search**
USPC D13/162, 168; D6/300, 308; D10/49,
D10/50, 104.1, 106.1, 106.95; D14/126,
D14/129, 336, 337, 341, 371, 374, 375,
D14/218

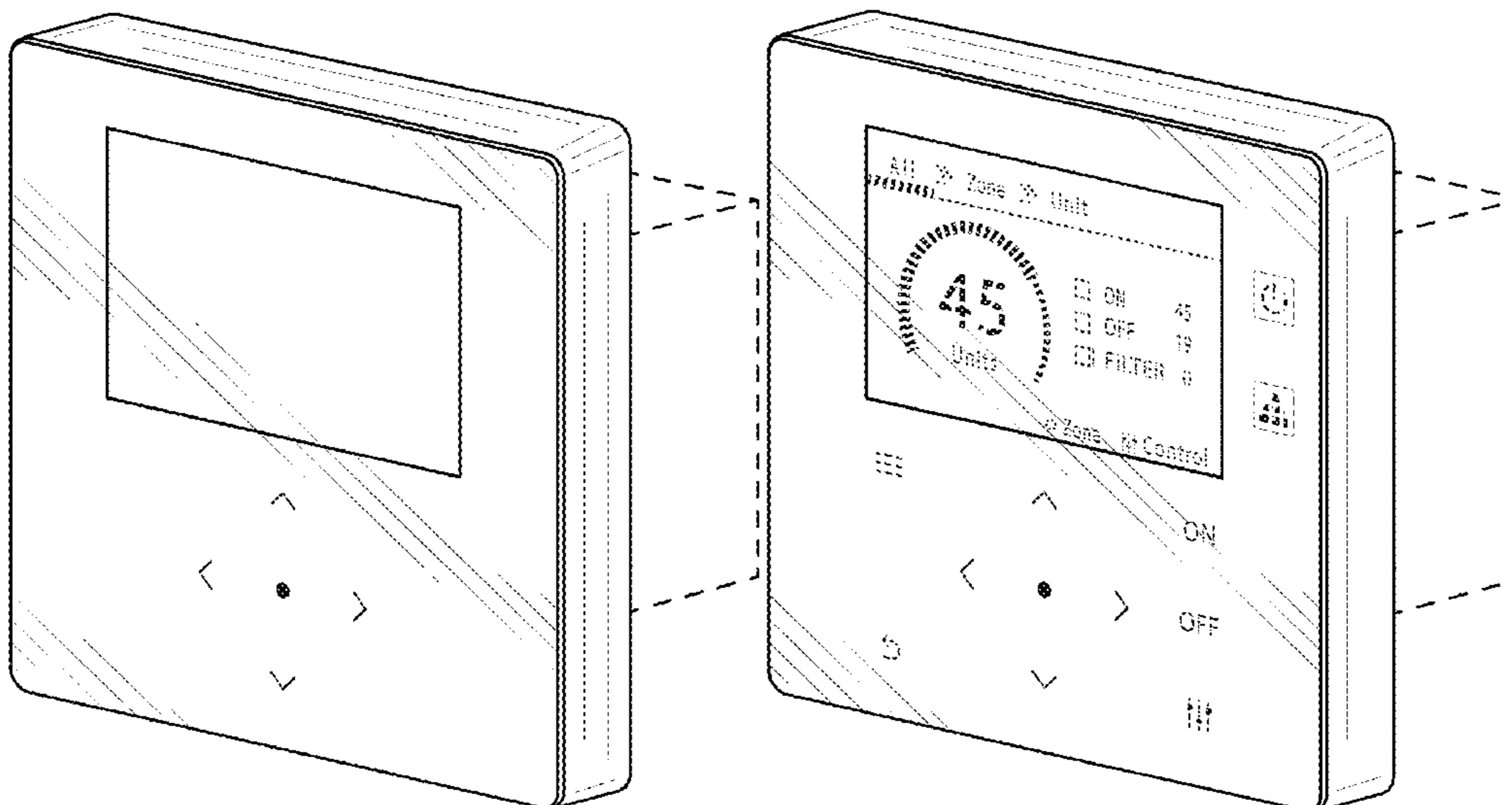
DESCRIPTION

CPC .. G05B 19/0426; G05B 19/409; G05B 15/02;
G06F 1/1601; G06F 3/041; G06F 3/044;
G06F 3/0482; G06F 3/0488; G06F
3/0489; G05D 23/1902; G05D 23/1905;
G05D 23/1931; H01H 9/02; H01H
9/0271; H01H 9/16; H01H 9/18; H01H
9/161; H01H 9/181; H01H 9/182; H01H
13/04; H01H 13/14; H01H 13/20; H01H
13/30; H01H 23/00; H01H 23/02; H01H
23/025; H05B 47/19; H05B 39/02; H05B
39/04; H05B 39/085; H05B 39/086;
H05B 39/088; F24F 11/00; F24F

FIG. 1 is a front perspective view of a remote controller for
air conditioner, showing our new design;
FIG. 2 is a front elevational view thereof;
FIG. 3 is a right side elevational view thereof, the left side
elevational view being a mirror image thereof;
FIG. 4 is a top plan view thereof, the bottom plan view being
a mirror image thereof;
FIG. 5 is a rear elevational view thereof; and,
FIG. 6 is a front perspective view thereof, showing a state of
use.

The broken line portions of the design are included to show
unclaimed portions and form no part of the claimed design.

1 Claim, 6 Drawing Sheets



(56)

References Cited

U.S. PATENT DOCUMENTS

D737,697 S * 9/2015 Bhattacharya D10/50
D738,229 S * 9/2015 Jiang D10/50
D738,232 S * 9/2015 Eyring D10/103
D738,756 S * 9/2015 Jiang D10/50
D741,269 S * 10/2015 Bhattacharya D10/50
D742,335 S * 11/2015 Yamaguchi D10/49
D748,504 S * 2/2016 Rump D10/50
D755,734 S * 5/2016 Kashimoto D13/168
D758,217 S * 6/2016 Kumfer D10/50
D764,418 S * 8/2016 Kashimoto D13/168
9,488,380 B2 * 11/2016 Ino G05D 23/1905
D809,942 S * 2/2018 Cool D10/50
D821,984 S * 7/2018 Mori D13/168
D822,621 S * 7/2018 Guan D13/162
D827,585 S * 9/2018 Sato D13/168
D830,860 S * 10/2018 Berman D10/50
D832,722 S * 11/2018 Farenski D10/50
2010/0106305 A1 * 4/2010 Pavlak F24F 11/30
700/276
2015/0354848 A1 * 12/2015 Abel F24F 11/62
236/1 C

* cited by examiner

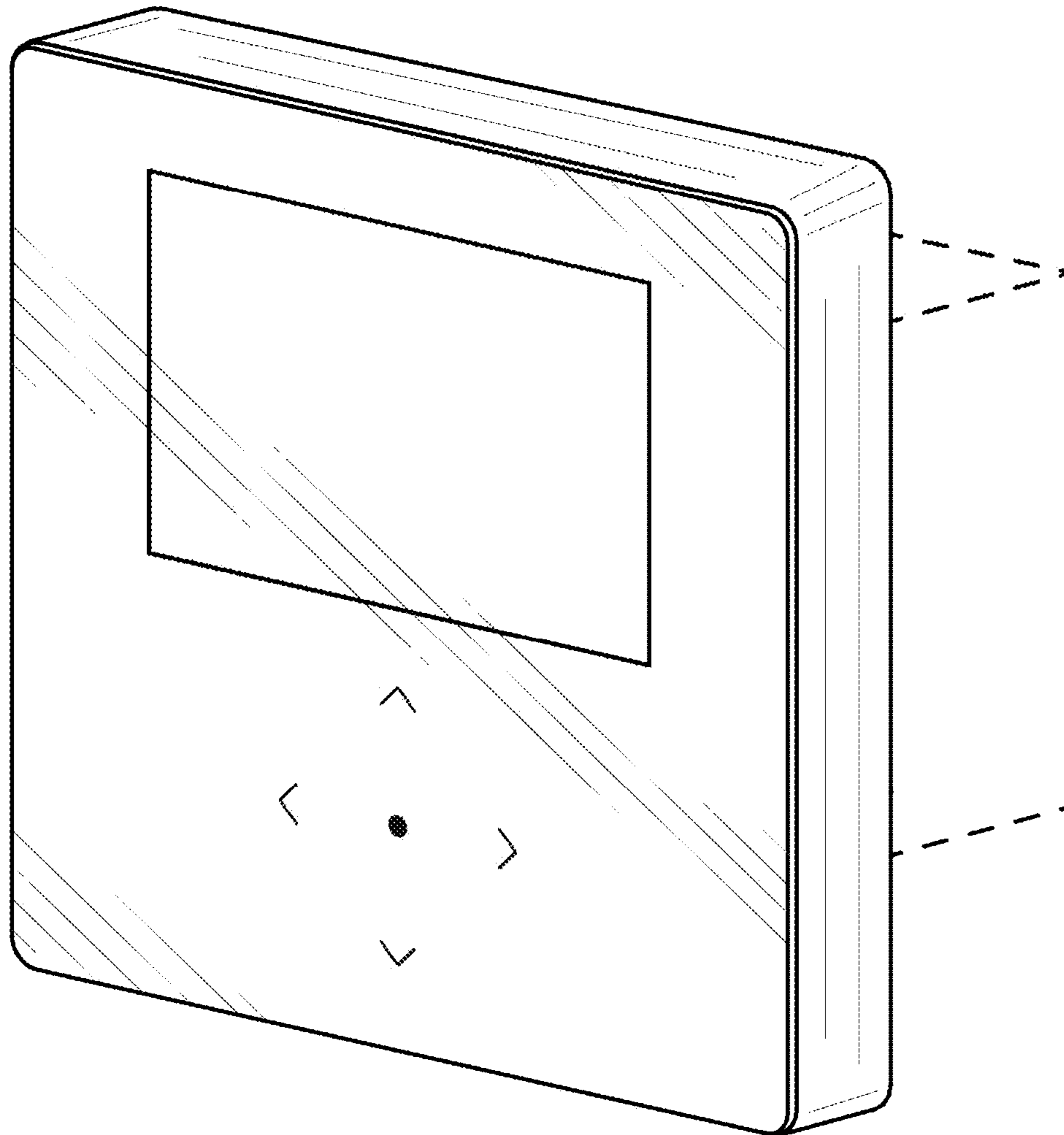


Fig. 1

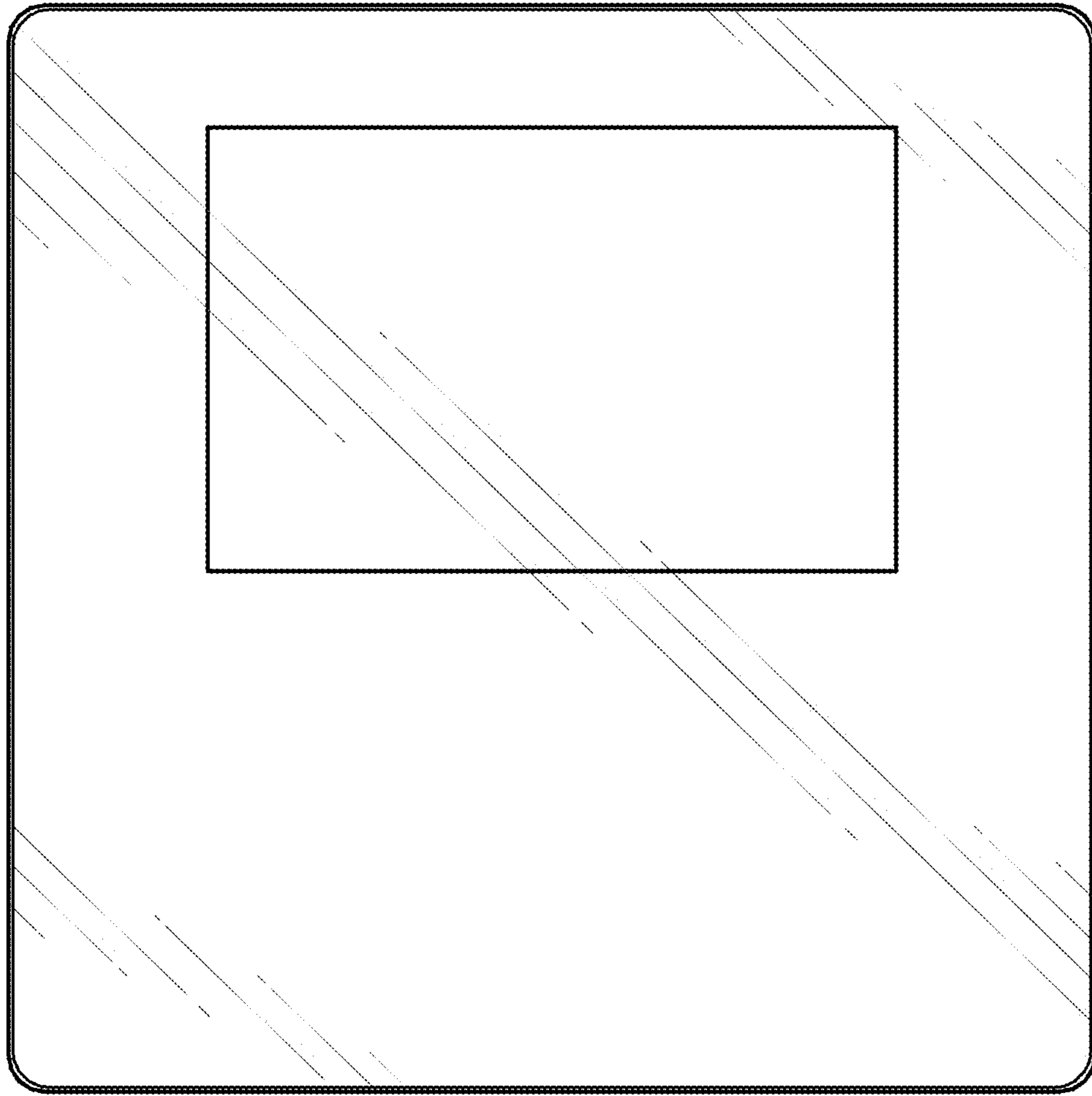


Fig. 2

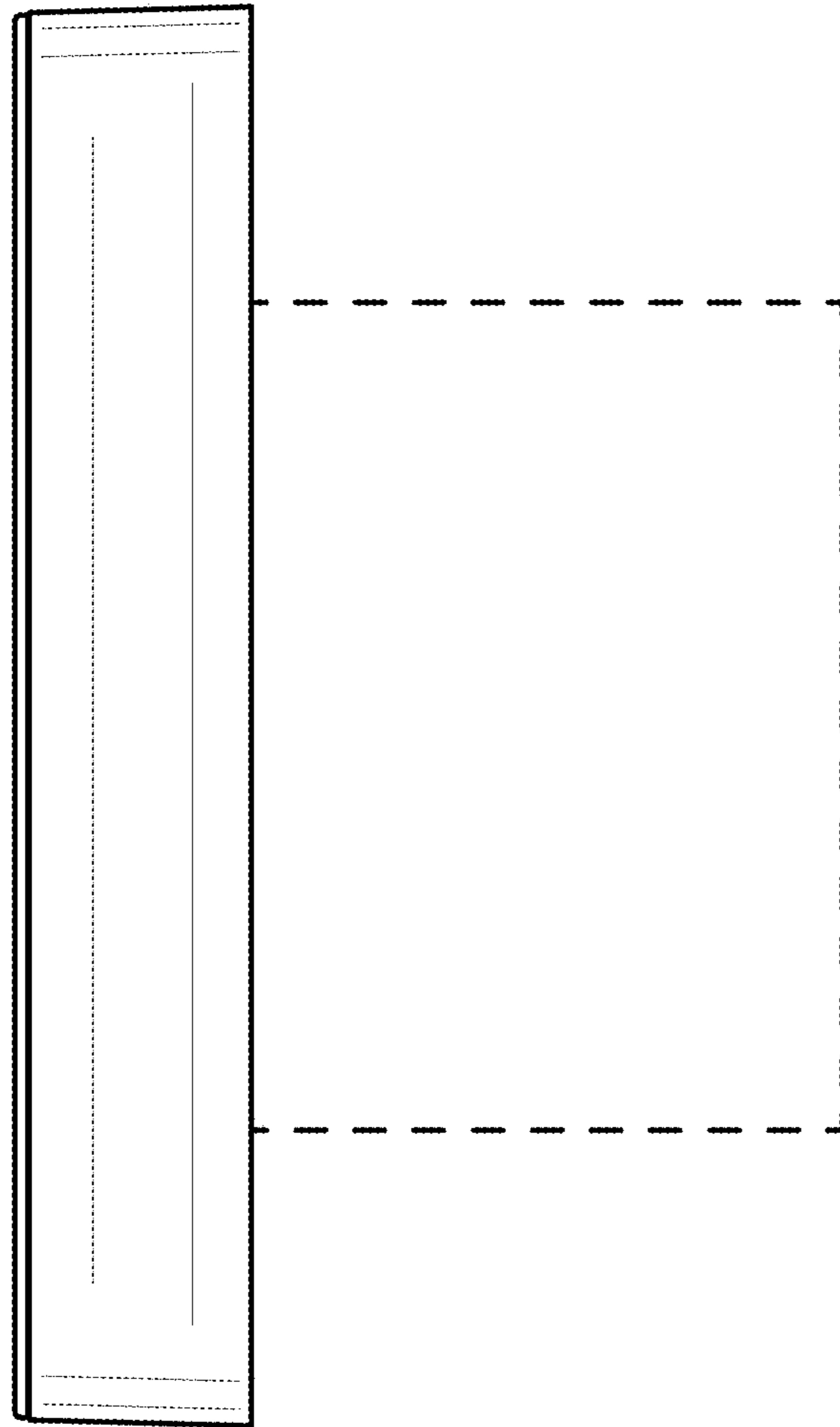


Fig. 3

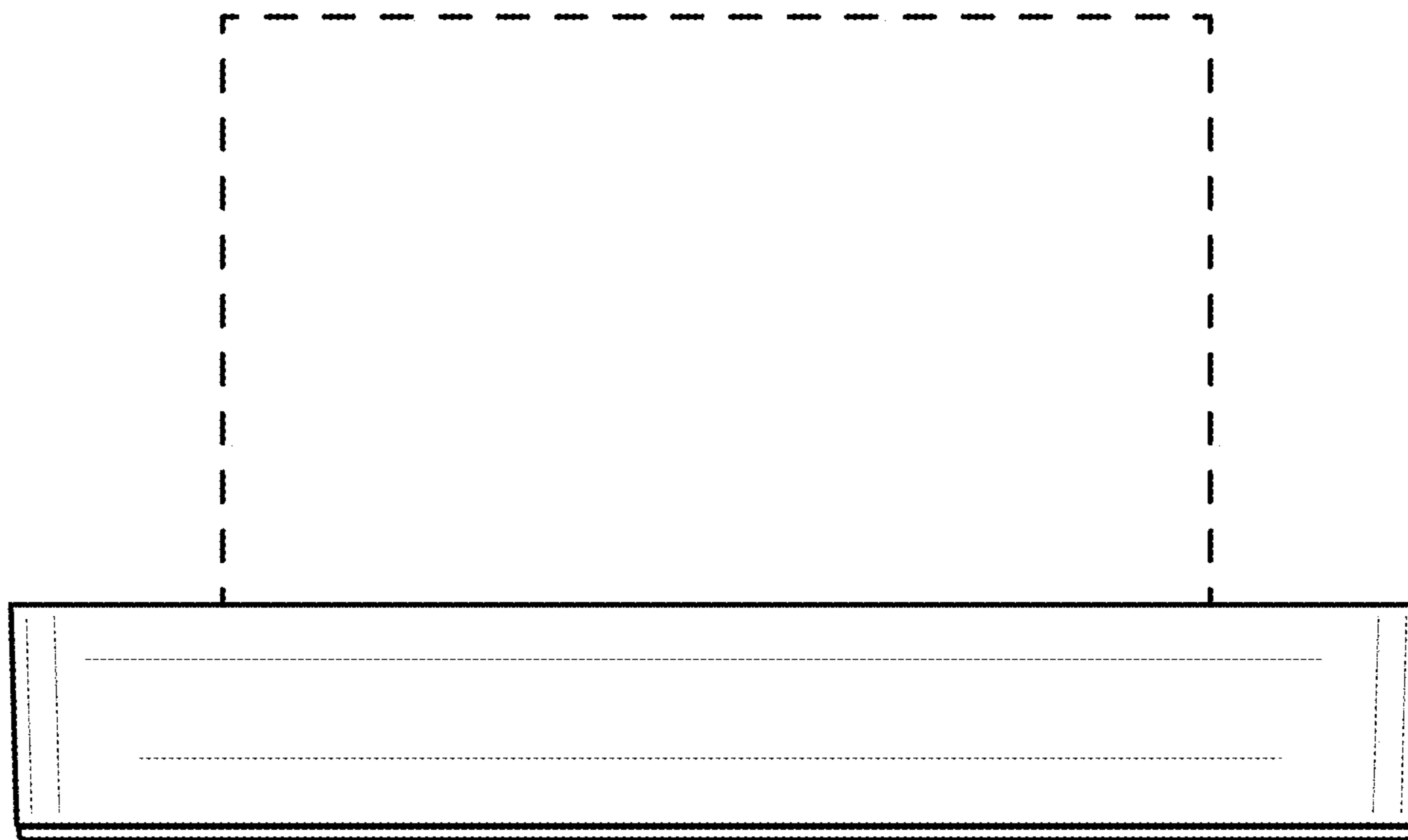


Fig. 4

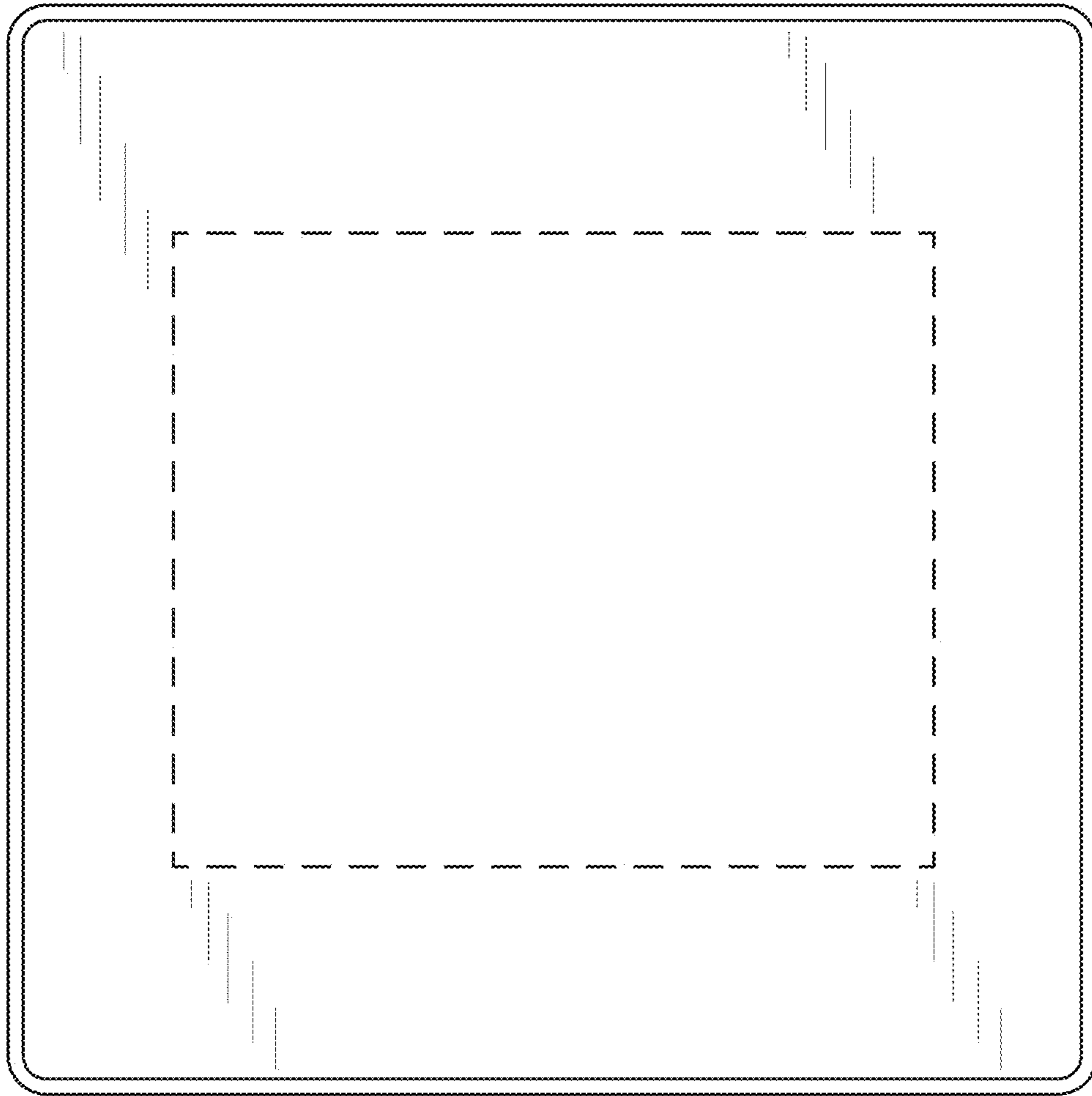


Fig. 5

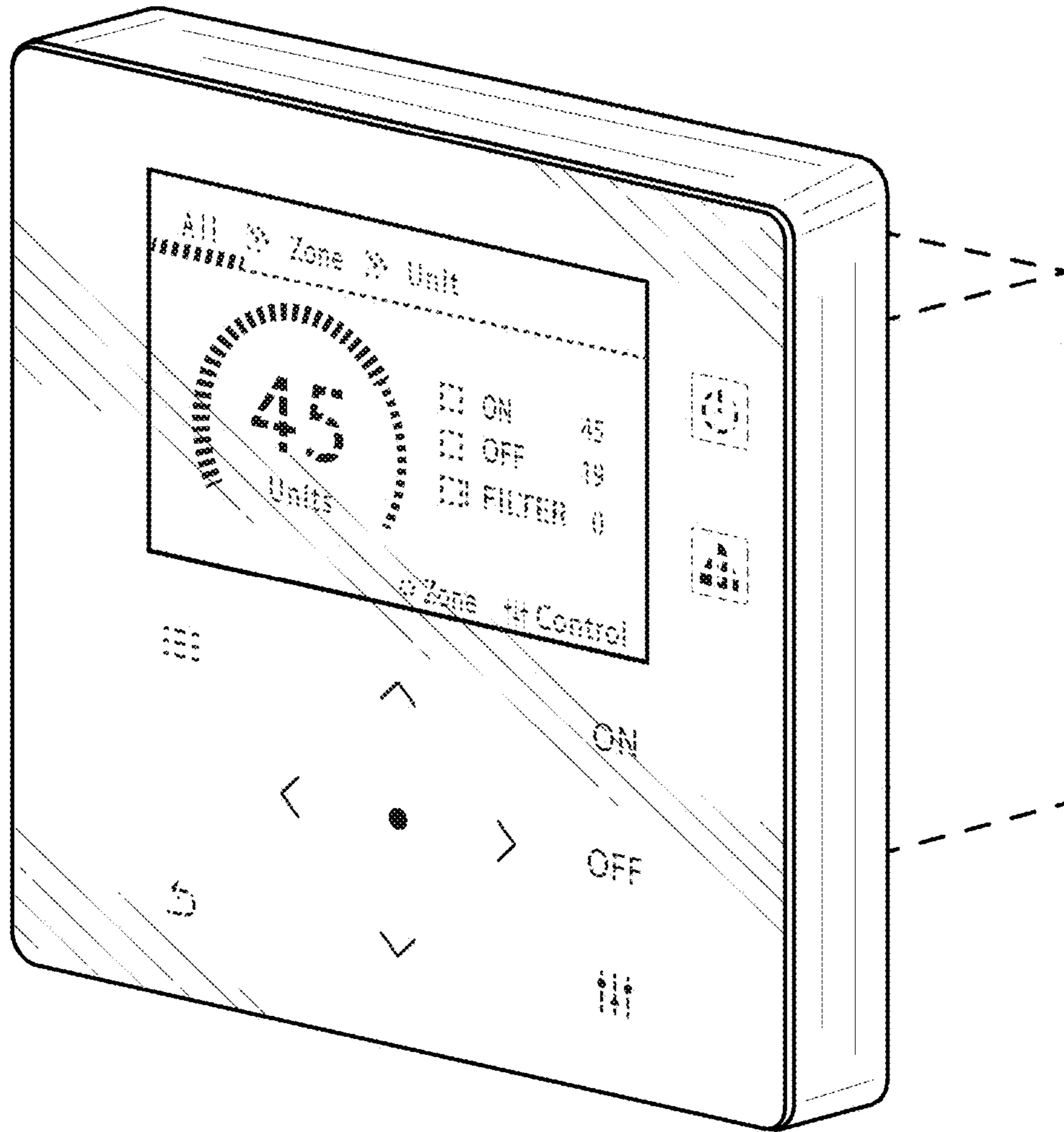


Fig. 6

UNITED STATES PATENT AND TRADEMARK OFFICE
CERTIFICATE OF CORRECTION

PATENT NO. : D920,261 S
APPLICATION NO. : 29/677121
DATED : May 25, 2021
INVENTOR(S) : Masao Isshiki et al.

Page 1 of 1

It is certified that error appears in the above-identified patent and that said Letters Patent is hereby corrected as shown below:

In the Drawings

Sheet 2 of 6 Change Fig. 2 To Be:

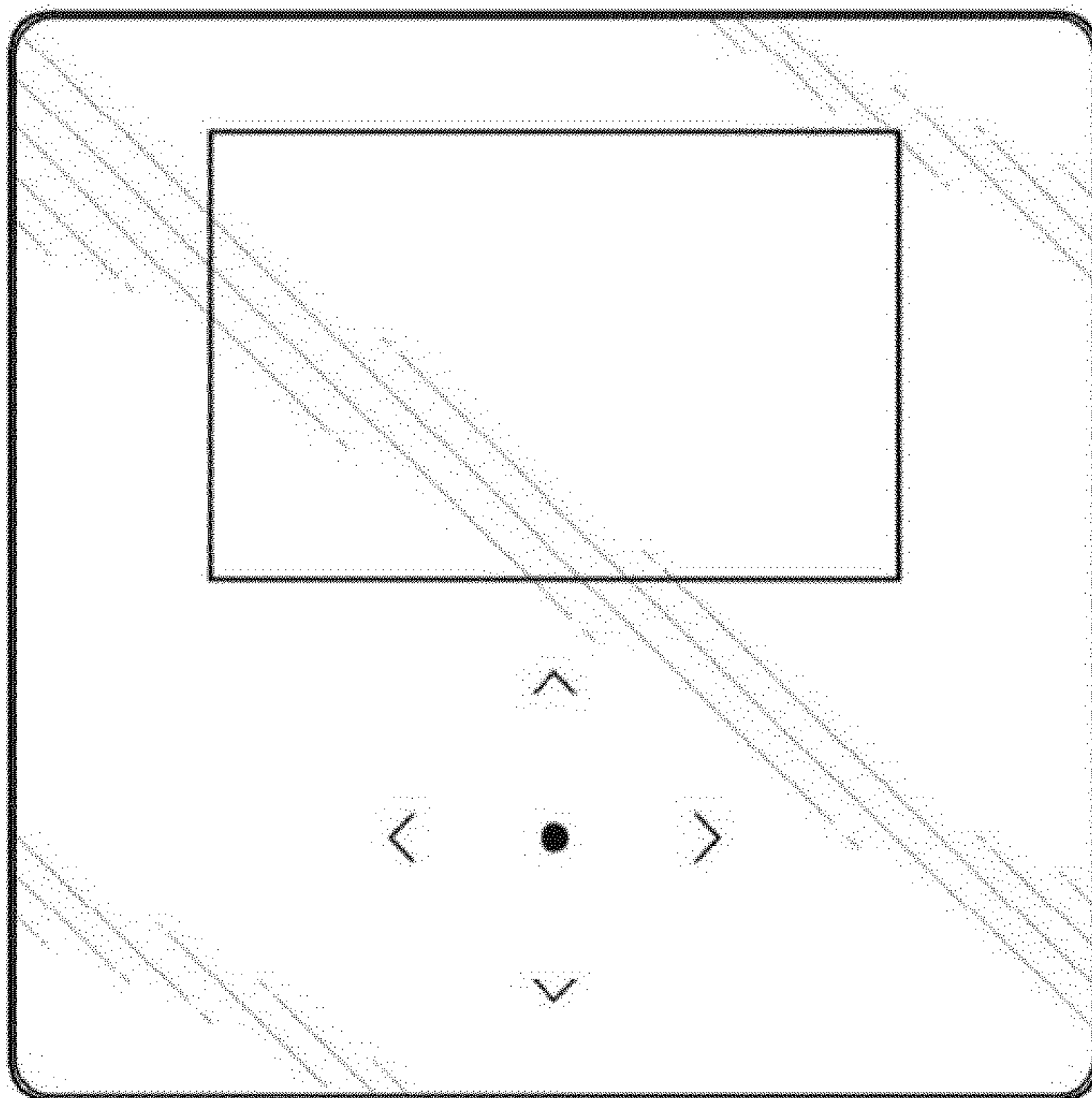


Fig. 2

Signed and Sealed this
Seventeenth Day of August, 2021

Drew Hirshfeld
*Performing the Functions and Duties of the
Under Secretary of Commerce for Intellectual Property and
Director of the United States Patent and Trademark Office*