



US00D920257S

(12) **United States Design Patent** (10) **Patent No.:** **US D920,257 S**  
**Fujiwara** (45) **Date of Patent:** **\*\* May 25, 2021**

(54) **HEADSHELL**

(71) Applicant: **Audio-Technica Corporation**, Tokyo (JP)

(72) Inventor: **Nobuyoshi Fujiwara**, Tokyo (JP)

(73) Assignee: **Audio-Technica Corporation**, Tokyo (JP)

(\*\*) Term: **15 Years**

(21) Appl. No.: **29/680,179**

(22) Filed: **Feb. 14, 2019**

(30) **Foreign Application Priority Data**

Aug. 21, 2018 (JP) ..... 2018-018133

(51) **LOC (13) Cl.** ..... **13-03**

(52) **U.S. Cl.**  
USPC ..... **D13/154**

(58) **Field of Classification Search**  
USPC ..... D13/120, 133, 146, 148, 149, 151, 153,  
D13/154, 157, 173, 199; D14/203, 261,  
D14/262, 263, 264

CPC ..... H04R 1/16; H04R 1/18; G11B 3/60  
See application file for complete search history.

(56) **References Cited**

**U.S. PATENT DOCUMENTS**

- 4,087,095 A \* 5/1978 Koda ..... G11B 3/121  
369/249.1
- D249,143 S \* 8/1978 Ohtomo ..... D14/203
- D252,330 S \* 7/1979 Leech ..... D14/203
- 4,435,800 A \* 3/1984 Dennis ..... G11B 3/08545  
369/225
- 4,490,816 A \* 12/1984 Kehl ..... G11B 3/06  
33/645
- D277,178 S \* 1/1985 Morita ..... D14/203

- D494,158 S \* 8/2004 Warden ..... D14/262
- D803,182 S \* 11/2017 Czaniecki ..... D14/203
- 9,997,175 B1 \* 6/2018 Liu ..... G11B 3/08577
- D879,740 S \* 3/2020 Wu ..... D14/203
- 2018/0247670 A1 \* 8/2018 Cheon ..... G11B 3/60
- 2018/0286435 A1 \* 10/2018 Son ..... G11B 3/38
- 2020/0058321 A1 \* 2/2020 Yamashiro ..... G11B 3/60

**FOREIGN PATENT DOCUMENTS**

JP 54156605 A \* 12/1979

**OTHER PUBLICATIONS**

“Audio-Technica AT-HS4 Universal Turntable Headshell”. Found online Jul. 10, 2020 at amazon.com. Reference dated Feb. 6, 2019. Retrieved from <https://www.amazon.com/Audio-Technica-AT-HS4-Universal-Turntable-Headshell/dp/B07N3RVMV4>. (Year: 2019).\*

(Continued)

*Primary Examiner* — Kendra Leslie Hamilton

*Assistant Examiner* — Amanda Christensen

(74) *Attorney, Agent, or Firm* — W & C IP

(57) **CLAIM**

The ornamental design for a headshell, as shown and described.

**DESCRIPTION**

FIG. 1 is a front elevation view of a headshell, showing my new design;

FIG. 2 is a rear elevation view thereof;

FIG. 3 is a left side elevation view thereof;

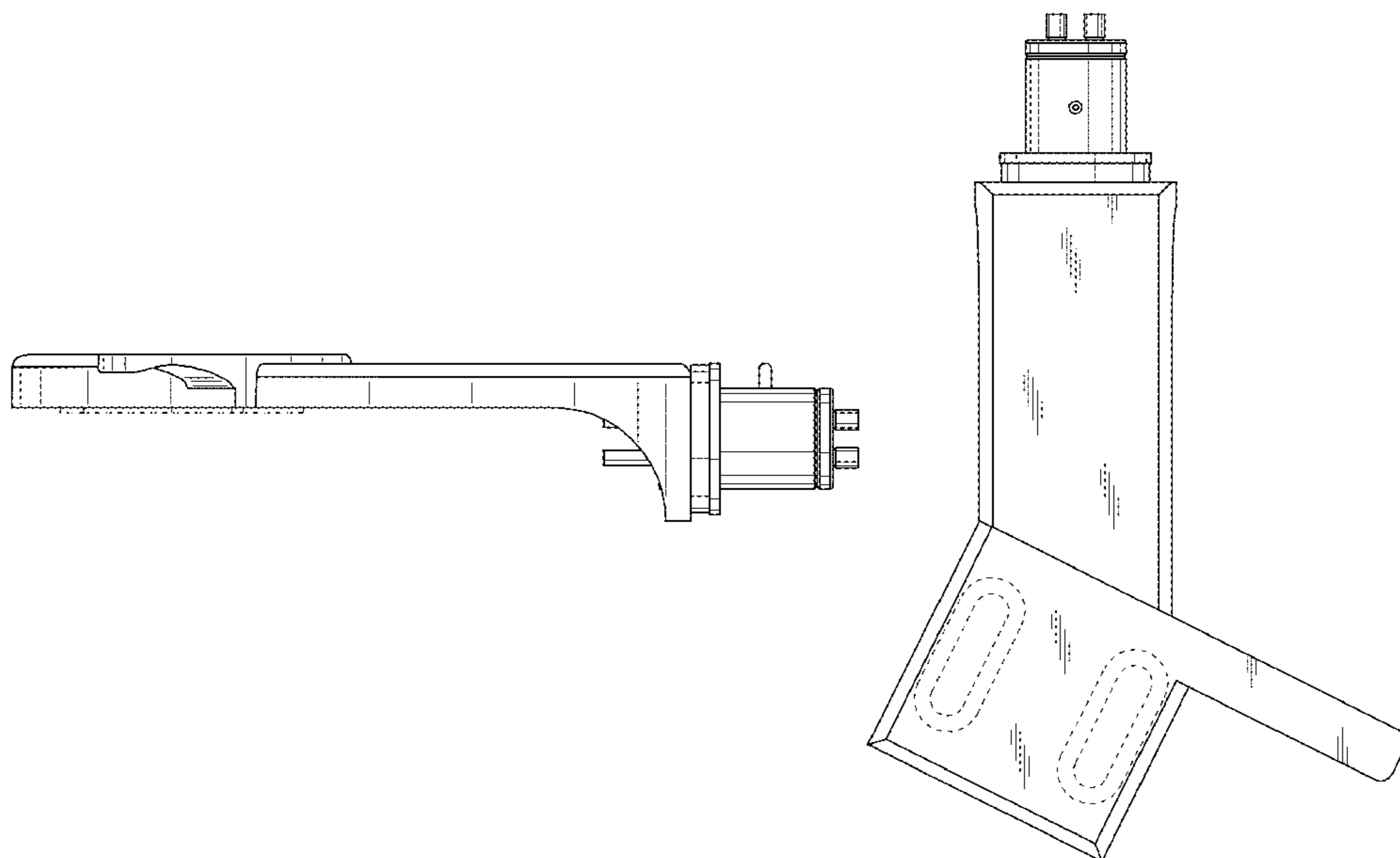
FIG. 4 is a right side elevation view thereof;

FIG. 5 is a top plan view thereof; and,

FIG. 6 is a bottom plan view thereof.

The equal-length broken lines in the drawings depict portions of the headshell that form no part of the claimed design.

**1 Claim, 4 Drawing Sheets**



(56)

**References Cited**

OTHER PUBLICATIONS

“Audio-Technica AT-HS3 Universal Angled Phono Headshell”. Found online Jul. 10, 2020 at amazon.com. Reference dated Apr. 10, 2018. Retrieved from [https://www.amazon.com/Audio-Technica-ATHS3-Turntable-Cartridge/dp/B06XHFNHTH/ref=pd\\_lpo\\_23\\_t\\_0/132-8872043-7311067](https://www.amazon.com/Audio-Technica-ATHS3-Turntable-Cartridge/dp/B06XHFNHTH/ref=pd_lpo_23_t_0/132-8872043-7311067). (Year: 2018).\*

“Straight Tonearm Headshell”. Found online Jul. 10, 2020 at amazon.com. Reference dated May 9, 2011. Retrieved from [https://www.turntableneedles.com/Straight-Tonearm-Headshell-for-Many-Japanese-Turntables\\_p\\_785.html](https://www.turntableneedles.com/Straight-Tonearm-Headshell-for-Many-Japanese-Turntables_p_785.html). (Year: 2011).\*

\* cited by examiner

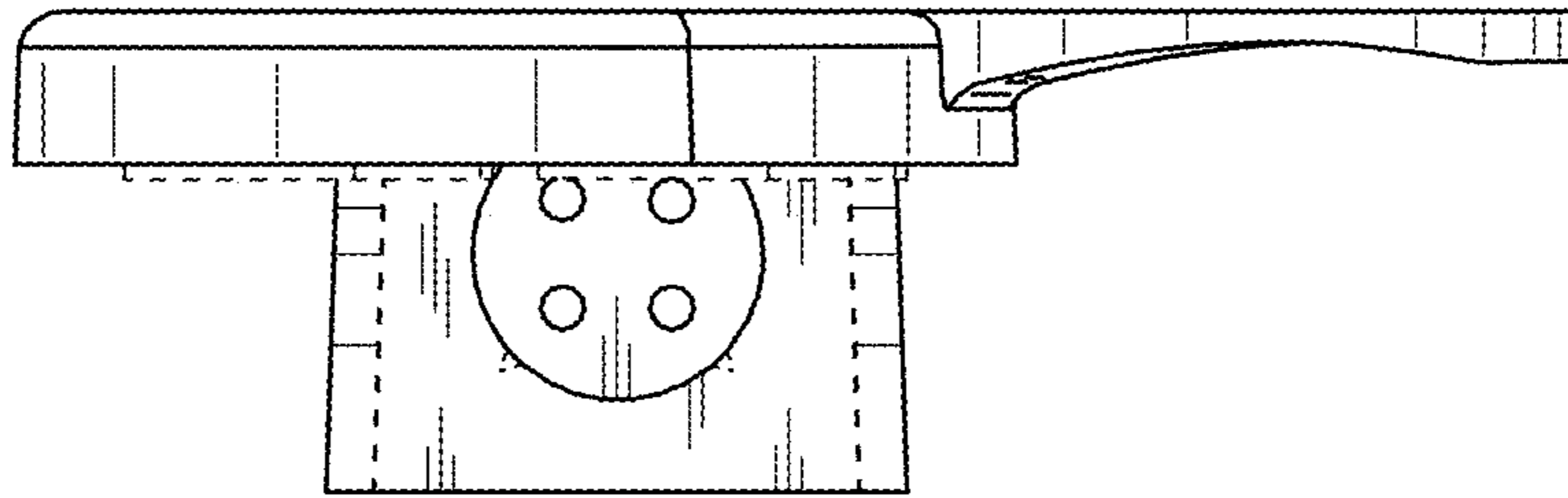


FIG. 1

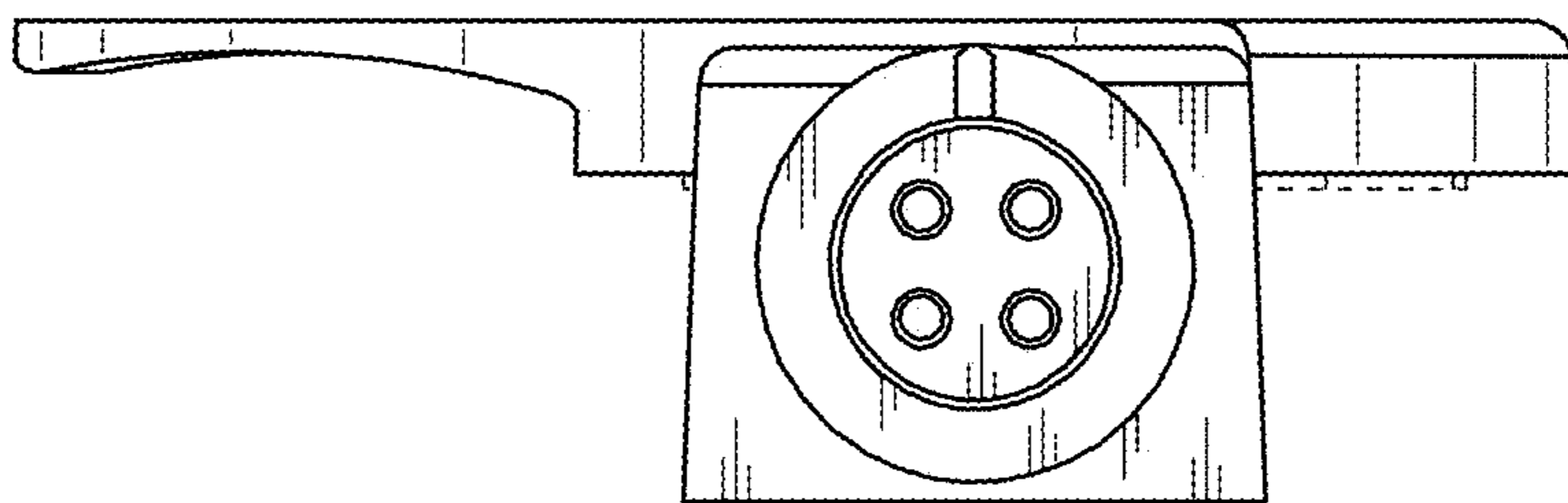


FIG. 2

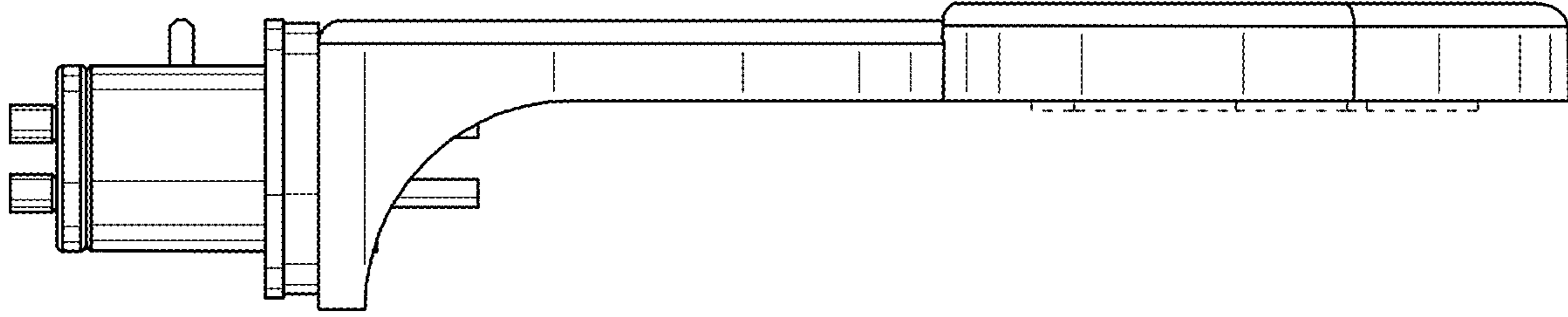


FIG. 3

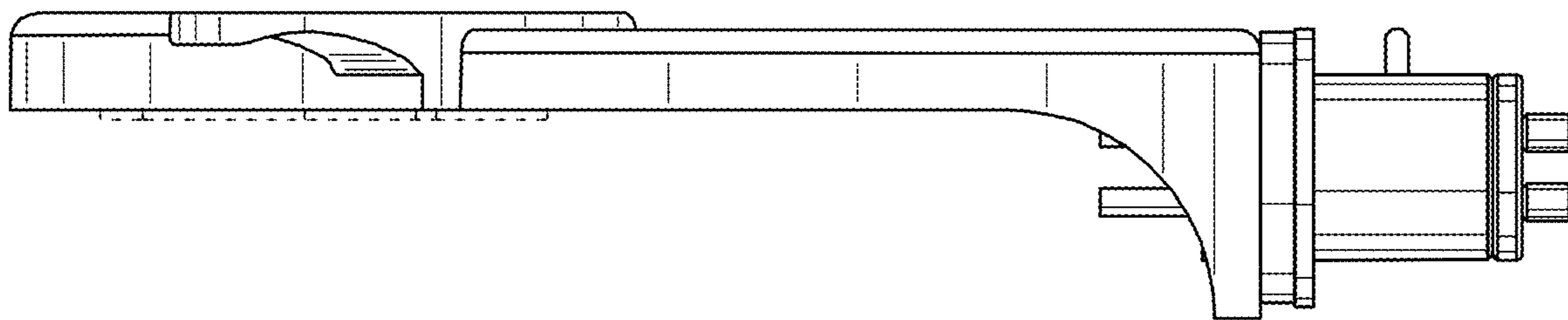


FIG. 4

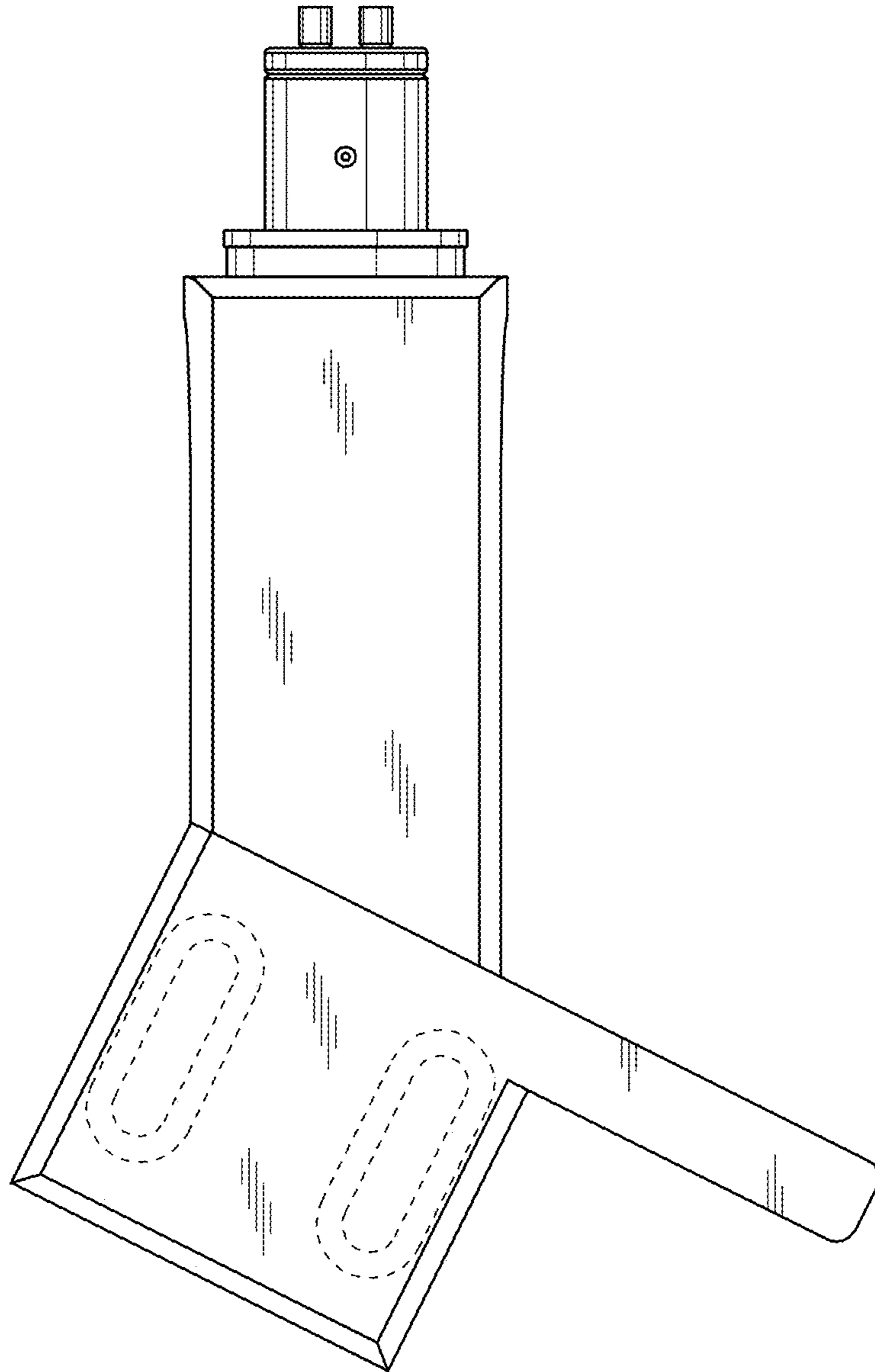


FIG. 5

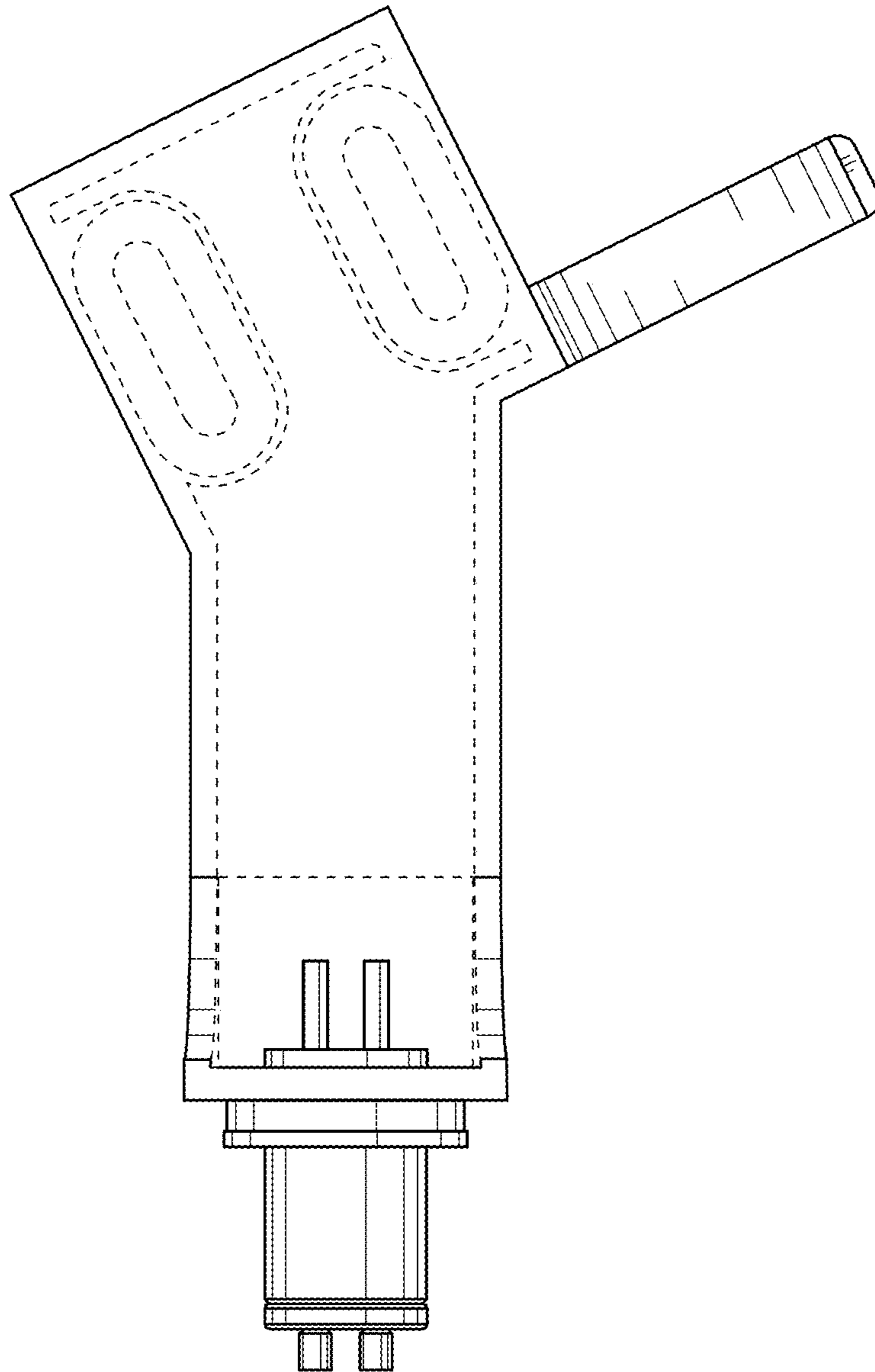


FIG. 6