



US00D920256S

(12) **United States Design Patent** (10) **Patent No.:** **US D920,256 S**  
**Turksu et al.** (45) **Date of Patent:** **\*\* May 25, 2021**

(54) **CONNECTOR PLUG FOR COMPUTER PORT**

(71) Applicant: **SARIANA, LLC**, San Diego, CA (US)

(72) Inventors: **Alan Turksu**, San Diego, CA (US);  
**Mustafa Burak Guclu**, San Diego, CA (US)

(73) Assignee: **SARIANA, LLC**, San Diego, CA (US)

(\*\*) Term: **15 Years**

(21) Appl. No.: **29/699,800**

(22) Filed: **Jul. 29, 2019**

**Related U.S. Application Data**

(63) Continuation of application No. 29/691,703, filed on May 17, 2019, now Pat. No. Des. 910,578.

(51) **LOC (13) Cl.** ..... **13-03**

(52) **U.S. Cl.**  
USPC ..... **D13/147**

(58) **Field of Classification Search**

USPC ... D13/103, 107, 118, 120, 123, 133, 137.1, D13/139.7, 146, 147, 151-158, 173, 177, D13/184, 199, 108, 110, 137.2-137.4, D13/139.1-139.8; D14/217, 238.1, 240, D14/242, 432-434, 435.1, 436, 438, 439, D14/448, 479, 480.1, 480.5, 480.7, 484.1, D14/137, 205, 206, 256, 357, 435; D16/219, 237  
CPC ..... H01R 27/00; H01R 27/02; H01R 25/00; H01R 25/03; H01R 25/003; H01R 13/02; H01R 13/665; H01R 13/6272; H01R 13/2492; H01R 12/592; H01R 9/0524; H01R 2101/00; H01R 13/502; H01R 13/5213; H01R 31/06; H01R 13/6205; H01R 13/7032; G02B 6/3887; G02B 6/387; G02B 6/4439; G02B 6/3893; G02B 6/3897; G06F 1/1632; G06F 13/4022; G06F 13/4282; G06F 16/2219; G06F 1/1628; G06F 1/263; G06F 1/266; H01B 7/0225; G06N 5/04

See application file for complete search history.

(56) **References Cited**

**U.S. PATENT DOCUMENTS**

D277,418 S 1/1985 Hemrich, Jr.  
5,153,988 A 10/1992 Mattis  
(Continued)

**OTHER PUBLICATIONS**

Semnica 3 in 1 USB C Hub Adapter, Aug. 25, 2020, [online], [Site visited Oct. 8, 2020], Available from Internet URL: [https://www.amazon.com/SEMNICA-Multiport-Charging-Ports%EF%BC%8CUSB-Adapter%EF%BC%8CCompatible/dp/B08GM154YG/ref=sr\\_1\\_49\\_sspa?dchild=1&keywords=USB+hub+adapter&qid=1602181737&sr=8-4](https://www.amazon.com/SEMNICA-Multiport-Charging-Ports%EF%BC%8CUSB-Adapter%EF%BC%8CCompatible/dp/B08GM154YG/ref=sr_1_49_sspa?dchild=1&keywords=USB+hub+adapter&qid=1602181737&sr=8-4) (Year: 2020).\*

(Continued)

*Primary Examiner* — Janice Hallmark

*Assistant Examiner* — Landon Thomas Cassell

(74) *Attorney, Agent, or Firm* — Wagenknecht IP Law Group PC

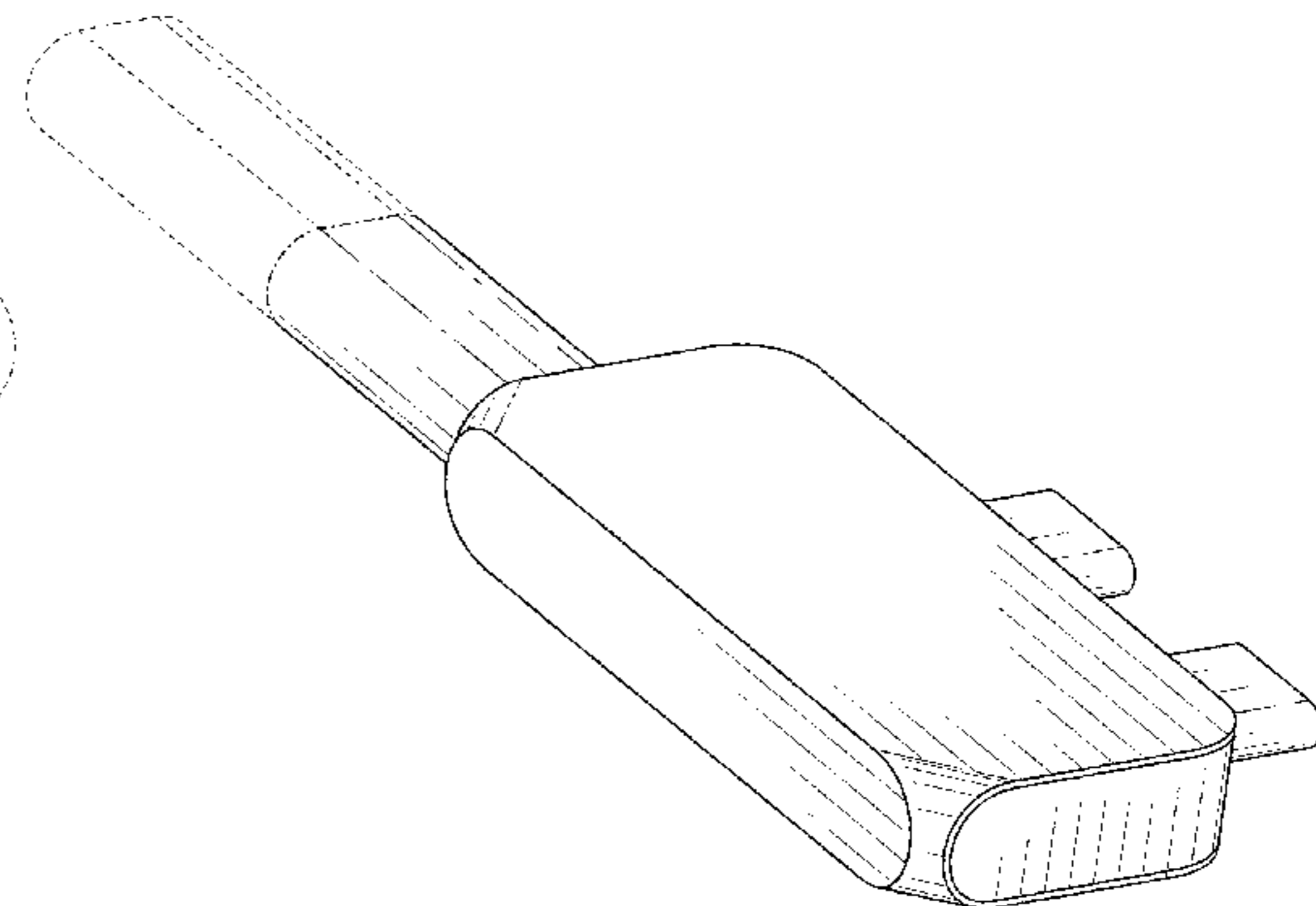
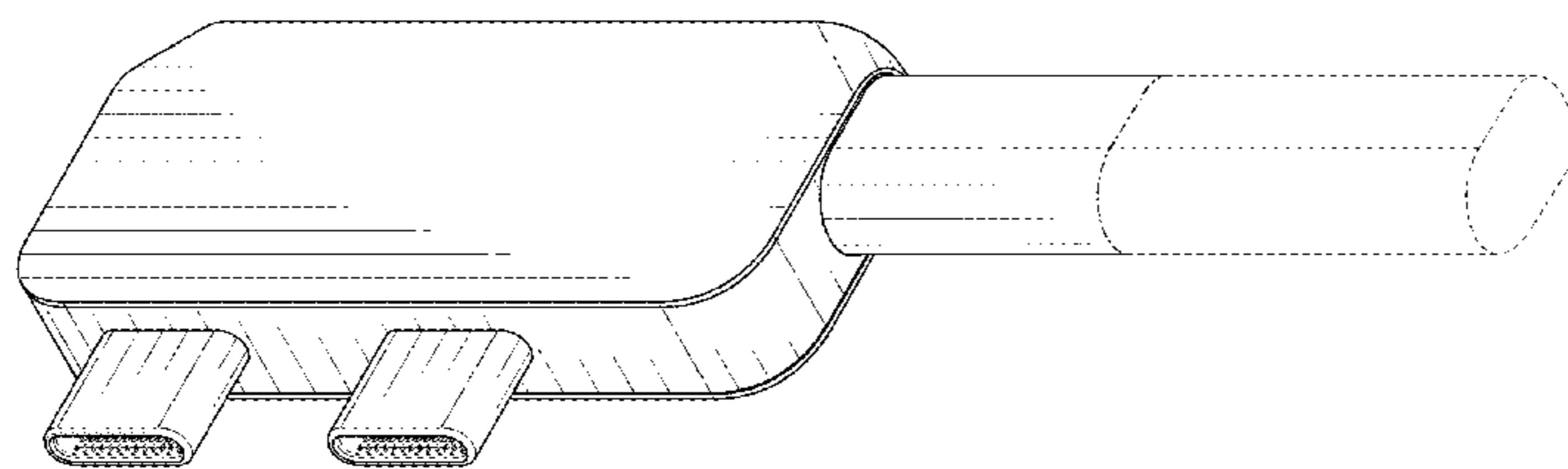
(57) **CLAIM**

The ornamental design for a connector plug for computer port, as shown and described.

**DESCRIPTION**

FIG. 1 is a top, left, rear perspective view of a connector plug for computer port showing our new design; FIG. 2 is a top plan view thereof; FIG. 3 is a bottom plan view thereof; FIG. 4 is a right side elevational view thereof; FIG. 5 is a left side elevational view thereof; FIG. 6 is a rear elevational view thereof; FIG. 7 is a front elevational view thereof; and, FIG. 8 is a top, front right perspective view thereof. The broken lines in the figures represent portions of the connector plug for computer port which form no part of the claimed design.

**1 Claim, 4 Drawing Sheets**



(56)

References Cited

U.S. PATENT DOCUMENTS

D520,502 S 5/2006 Xu  
 D542,289 S \* 5/2007 Diebel ..... D14/356  
 D588,545 S 3/2009 Andre  
 D641,753 S 7/2011 Obata  
 D642,529 S 8/2011 Su  
 D683,703 S 6/2013 Akana  
 D730,280 S 5/2015 Koebler  
 D735,157 S 7/2015 Moriya  
 D781,785 S 3/2017 Akana  
 D797,747 S \* 9/2017 Xu ..... D14/433  
 D800,730 S \* 10/2017 Liao ..... D14/433  
 D814,423 S 4/2018 Akana  
 D824,883 S 8/2018 Williamson  
 D829,719 S 10/2018 Shim  
 D830,366 S \* 10/2018 Turksu ..... D14/433  
 D847,811 S 5/2019 Kuo  
 D855,616 S \* 8/2019 Chin ..... D14/433  
 D864,208 S \* 10/2019 Duan ..... D14/433  
 D864,964 S \* 10/2019 Lyu ..... D14/433  
 D866,557 S 11/2019 Xiong  
 D867,302 S 11/2019 Zhu  
 D876,439 S \* 2/2020 Turksu ..... D14/433  
 D878,373 S \* 3/2020 Zhang ..... D14/433  
 D878,375 S \* 3/2020 Turksu ..... D14/433  
 D879,044 S 3/2020 Fan  
 D879,102 S \* 3/2020 Turksu ..... D14/433  
 D880,480 S 4/2020 Liao  
 D881,890 S 4/2020 Wen  
 D885,394 S \* 5/2020 Duan ..... D14/433

D885,395 S \* 5/2020 Duan ..... D14/433  
 D886,105 S \* 6/2020 Duan ..... D14/433  
 D890,181 S \* 7/2020 Liu ..... D14/433  
 D890,759 S \* 7/2020 Fan ..... D14/433  
 D891,433 S \* 7/2020 Chin ..... D14/433  
 D892,048 S 8/2020 Zhuang  
 D896,220 S 9/2020 Wu  
 D896,814 S 9/2020 Zhang  
 D897,957 S 10/2020 Yang  
 2018/0165053 A1 6/2018 Kuo  
 2020/0014161 A1 \* 1/2020 Liao ..... H05K 5/006  
 2020/0083653 A1 \* 3/2020 Zhou ..... H01R 12/721  
 2020/0266594 A1 8/2020 Chu

OTHER PUBLICATIONS

Moshi USB-C to Dual USBj-A, Nov. 30, 2017, [online], [Site visited Oct. 9, 2020], Available from Internet URL: [https://www.amazon.com/Moshi-USB-C-Adapter-type-c-macbook/dp/B07581YL4C/ref=sr\\_1\\_3?dchild=1&keywords=Moshi+USB-C+dual+port+adapter&qid=1602247350&s=electronics&sr=1-3](https://www.amazon.com/Moshi-USB-C-Adapter-type-c-macbook/dp/B07581YL4C/ref=sr_1_3?dchild=1&keywords=Moshi+USB-C+dual+port+adapter&qid=1602247350&s=electronics&sr=1-3) (Year: 2017).\*

Mono-price USB Type-C to SD 4.0, Jun. 11, 2017, [online], [Site visited Oct. 9, 2020], Available from Internet URL: [https://www.amazon.com/Monoprice-USB-Type-C-Card-Reader/dp/B071FBSVWJ/ref=sr\\_1\\_2?dchild=1&keywords=Monoprice+USB+Type-C+to+SD+4.0+Card+Reader&qid=1602246882&s=electronics&sr=1-2](https://www.amazon.com/Monoprice-USB-Type-C-Card-Reader/dp/B071FBSVWJ/ref=sr_1_2?dchild=1&keywords=Monoprice+USB+Type-C+to+SD+4.0+Card+Reader&qid=1602246882&s=electronics&sr=1-2) (Year: 2017).\*

\* cited by examiner

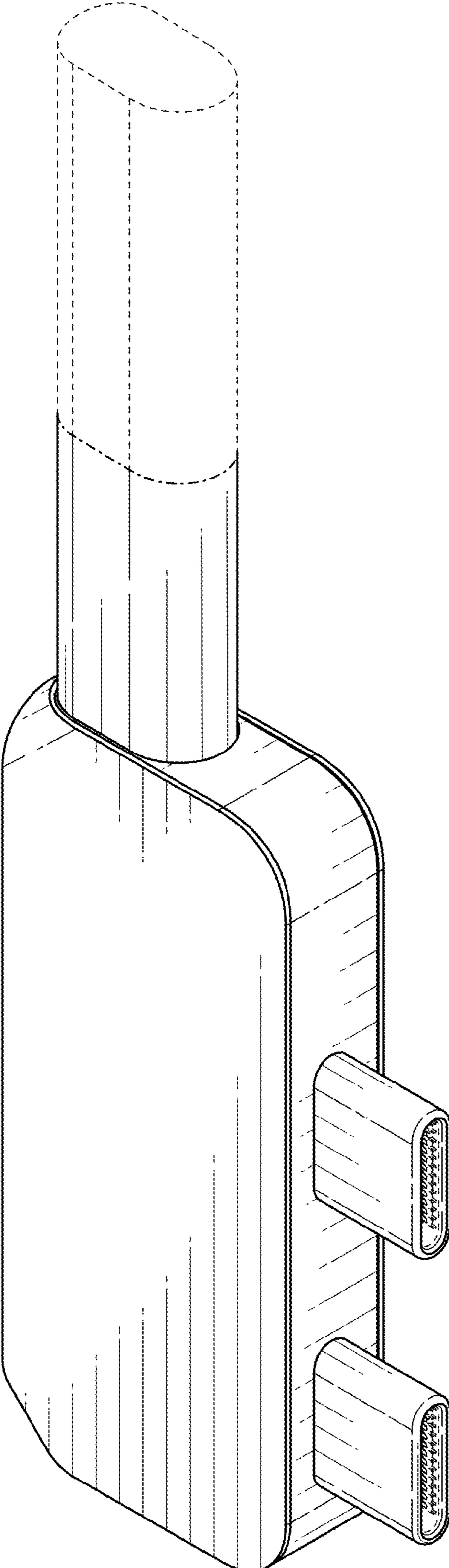


FIG. 1

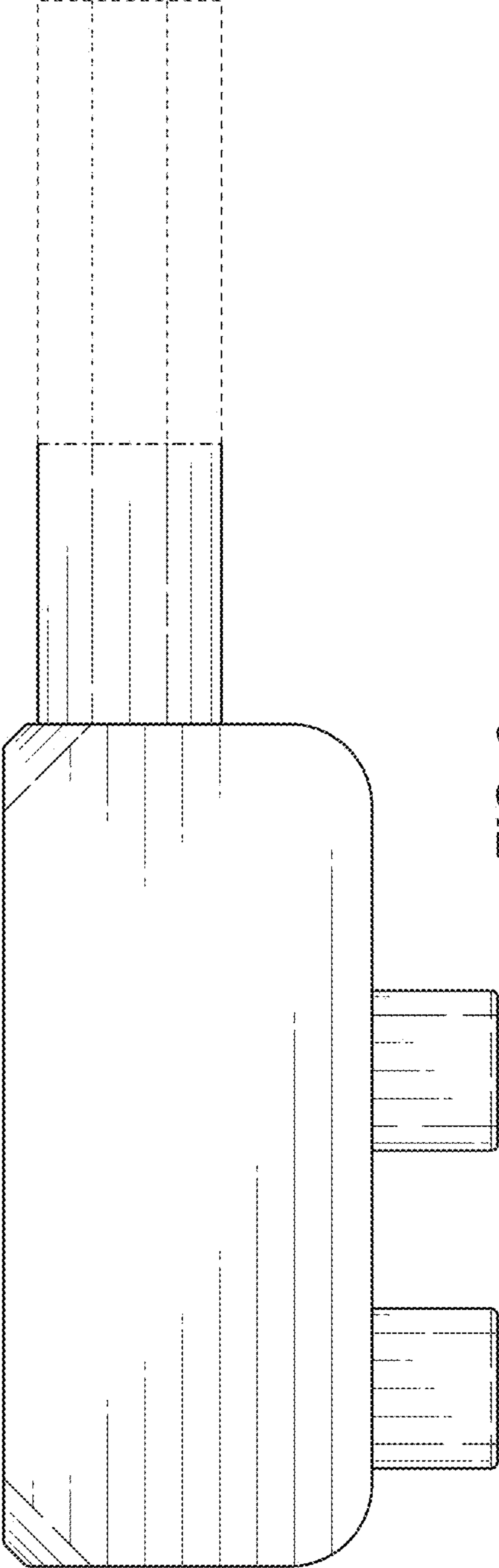


FIG. 2

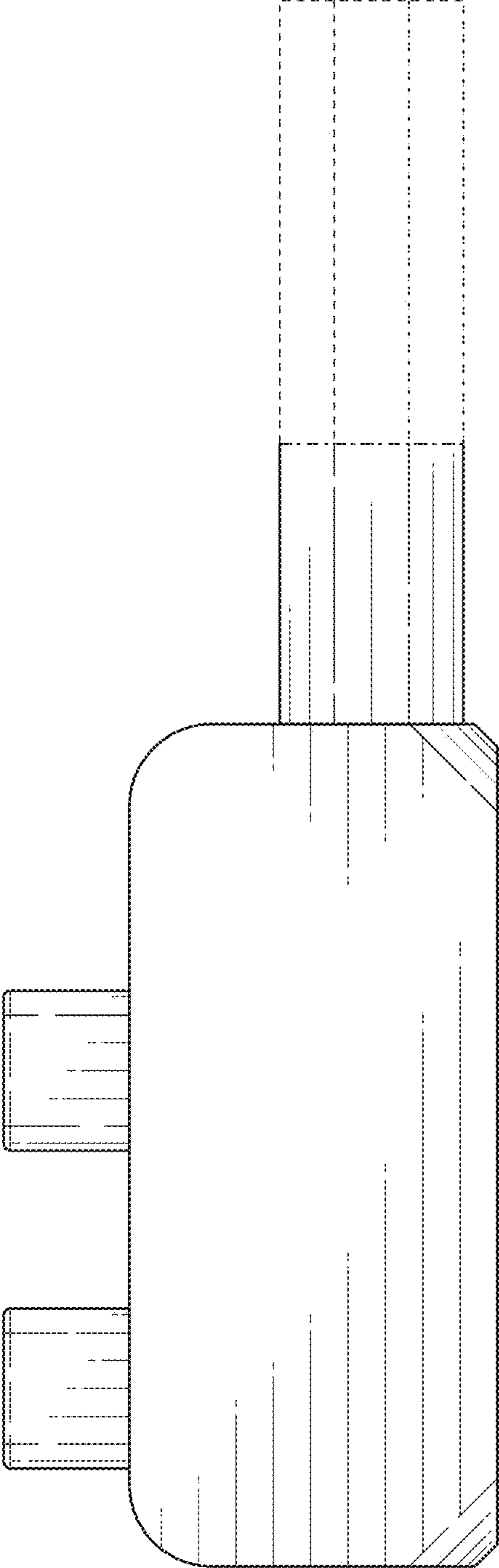


FIG. 3

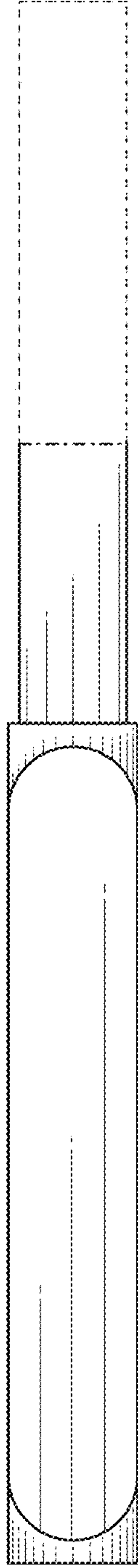


FIG. 4

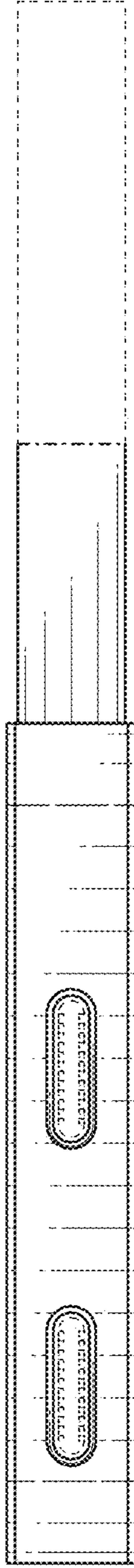


FIG. 5

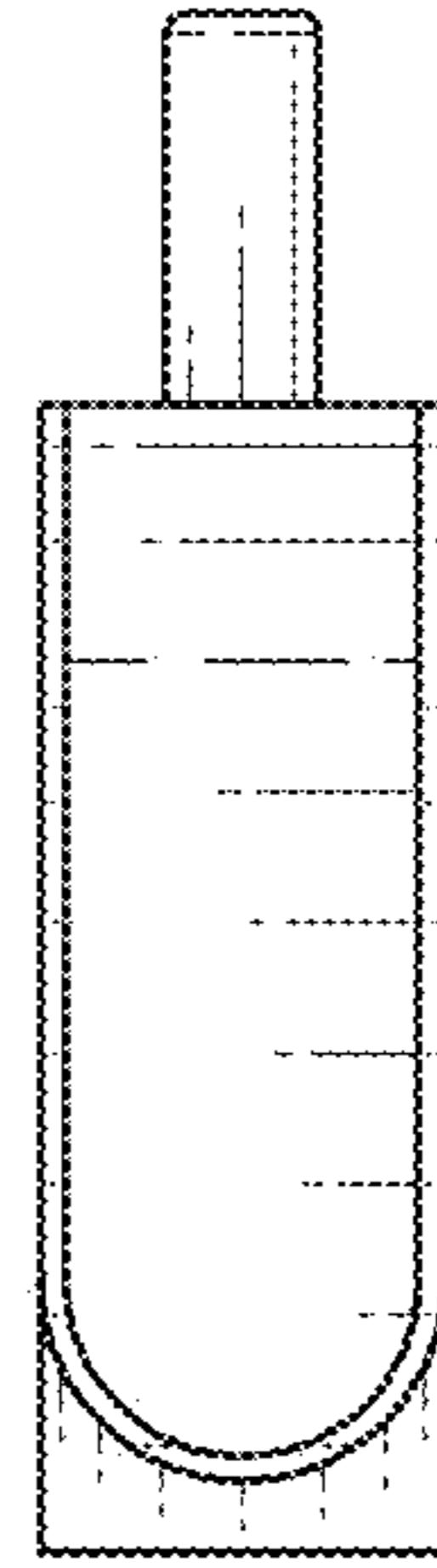


FIG. 7

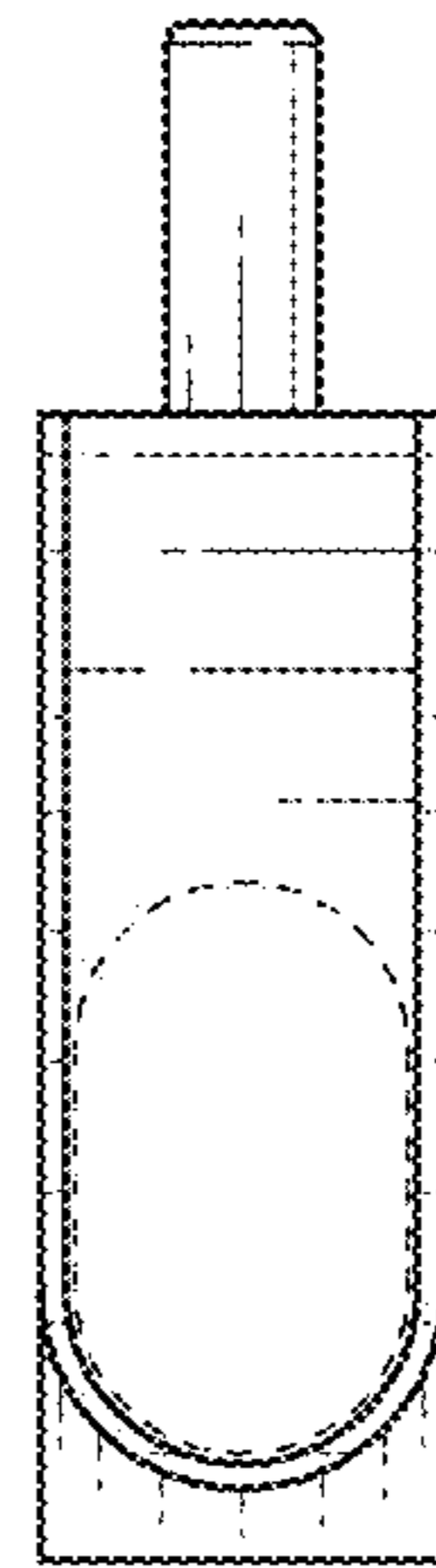


FIG. 6

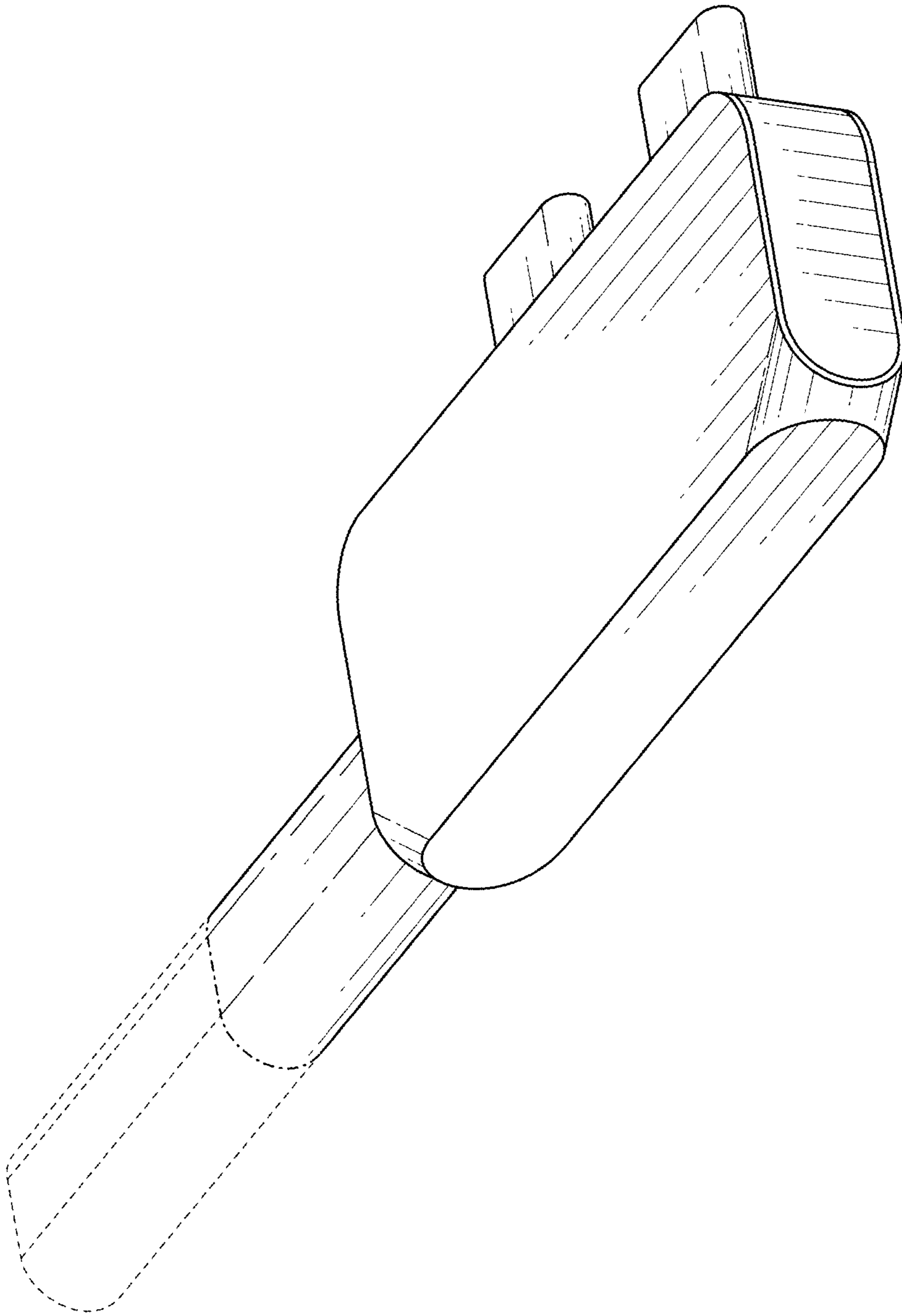


FIG. 8