



US00D920252S

(12) **United States Design Patent** (10) **Patent No.:** **US D920,252 S**
Liu (45) **Date of Patent:** **** May 25, 2021**

(54) **MAGNETIC ATTACHING USB CABLE**

(71) Applicant: **Shaogang Liu**, Shenzhen (CN)

(72) Inventor: **Shaogang Liu**, Shenzhen (CN)

(73) Assignee: **Shenzhen SuYi Technology Co., Ltd.**, Shenzhen (CN)

(**) Term: **15 Years**

(21) Appl. No.: **29/698,058**

(22) Filed: **Jul. 13, 2019**

(51) **LOC (13) Cl.** **13-03**

(52) **U.S. Cl.**
USPC **D13/133; D13/147; D14/433**

(58) **Field of Classification Search**
USPC D13/107, 118, 123, 133-135, 146, 147, D13/149, 151, 153, 154, 173, 183, 184, D13/199; D14/433
CPC G06F 1/18; G01R 19/165; H01R 11/30; H01R 13/60; H01R 13/62; H01R 13/6205; H01R 13/66; H01R 13/6683; H01R 31/06
See application file for complete search history.

(56) **References Cited**

U.S. PATENT DOCUMENTS

D716,235 S *	10/2014	Tien	D13/147
D739,824 S *	9/2015	Lin	D13/146
D811,343 S *	2/2018	Lau	D13/147
9,979,138 B1 *	5/2018	Chen	H01R 13/7137
D820,217 S *	6/2018	Li	D13/147
D824,388 S *	7/2018	Fawcett	D14/433
10,333,249 B1 *	6/2019	Wang	H01R 13/6205
D881,828 S *	4/2020	Zhang	D13/183
D889,416 S *	7/2020	Zhao	D13/153
D901,506 S *	11/2020	He	D14/433
2017/0194756 A1 *	7/2017	Chang	H01R 25/003

OTHER PUBLICATIONS

Magnetic Charging Cable,[4-Pack, 1ft/3ft/3ft/6ft] NKV, dated Mar. 24, 2020, [online], [site visited Dec. 17, 2020]. Available from

Internet, URL: <https://www.amazon.com/Magnetic-Charging-NKV-Cable%EF%BC%8C3A-Compatible/dp/B086992WGZ/> (Year: 2020).*
Acgicea Micro USB Type C Fast Charging 90 degree LED Magnetic Cable, dated Oct. 15, 2019, [online], [site visited Dec. 17, 2020]. Available from Internet, URL: <https://www.geekyviews.com/product/acgicea-micro-usb-type-c-fast-charging-90-degree-led-magnetic-cable-for-iphone-xr-x-xiaomi/#reviews> (Year: 2019).*
YICHUMY 6.6ft 90 Degree Magnetic 3 in 1 Charging Cable USB Charger Cable, dated Aug. 20, 2017, [online], [site visited Dec. 17, 2020]. Available from Internet, URL: <https://www.amazon.com/YICHUMY-Magnetic-Charging-Connectors-Indicator/dp/B07PNYDVF2?th=1> (Year: 2017).*
Tiiyoo Magnetic Charging Cable, dated Dec. 17, 2019, [online], [site visited Apr. 7, 2021]. Available from Internet, URL: <https://www.amazon.co.jp/-/en/Magnetic-Transmission-Smartphone-Lightning-Devices-4/dp/B082TN75VP/> (Year: 2019).*

* cited by examiner

Primary Examiner — Shawn T Gingrich

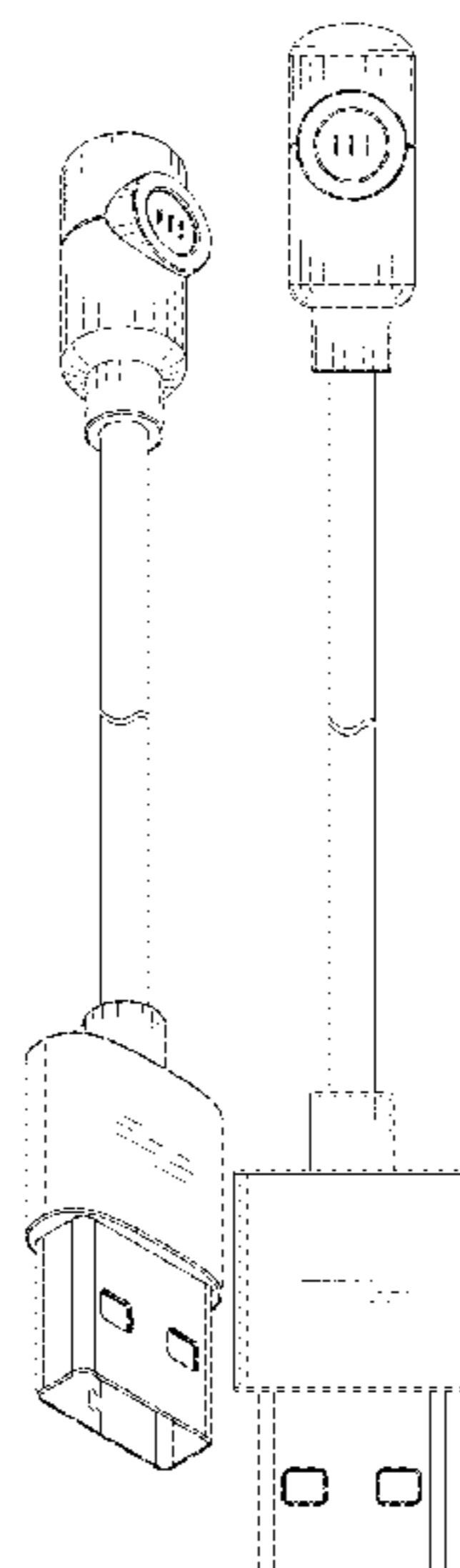
(57) **CLAIM**

The ornamental design for a magnetic attaching USB cable, as shown and described.

DESCRIPTION

FIG. 1 is a front perspective view of the magnetic attaching USB cable showing my new design;
FIG. 2 is a rear perspective view thereof;
FIG. 3 is a front elevational view thereof;
FIG. 4 is a rear elevational view thereof;
FIG. 5 is a left side elevational view thereof;
FIG. 6 is a right side elevational view thereof;
FIG. 7 is a top plan view thereof; and,
FIG. 8 is a bottom plan view thereof.
The magnetic attaching USB cable is shown with a symbolic break in its length. The appearance of any portion of the article between the break lines forms no part of the claimed design.

1 Claim, 7 Drawing Sheets



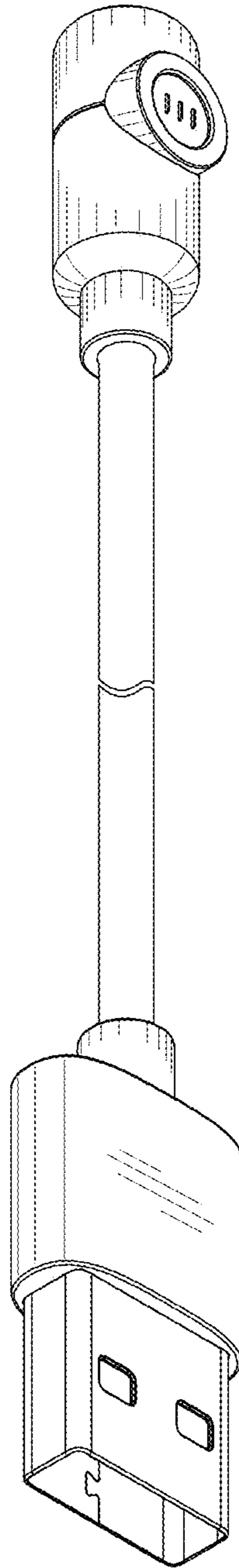


FIG.1

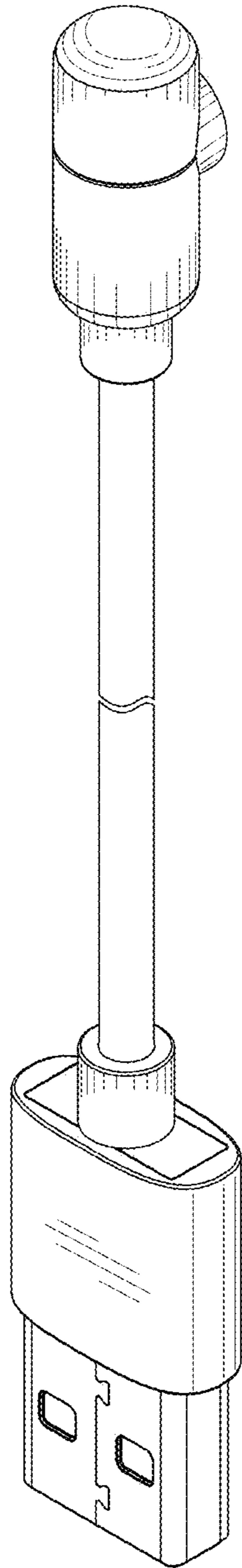


FIG.2

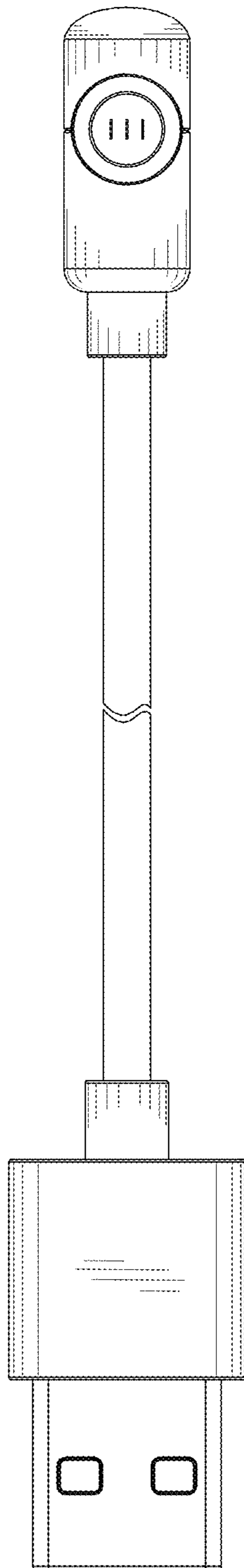


FIG.3

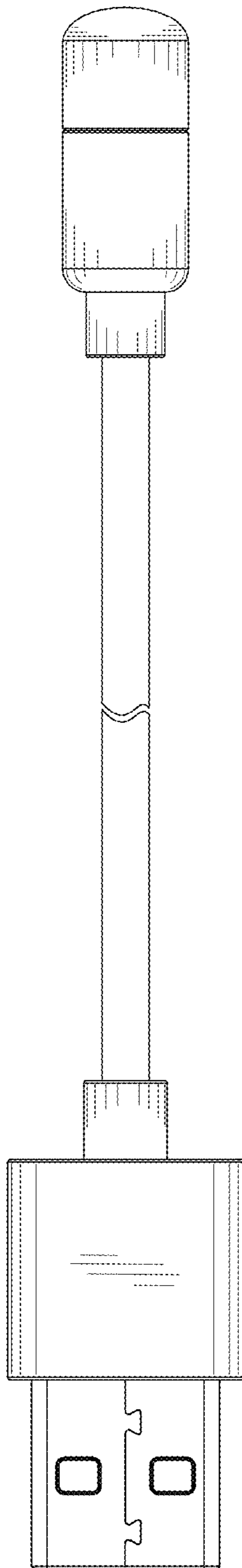


FIG.4

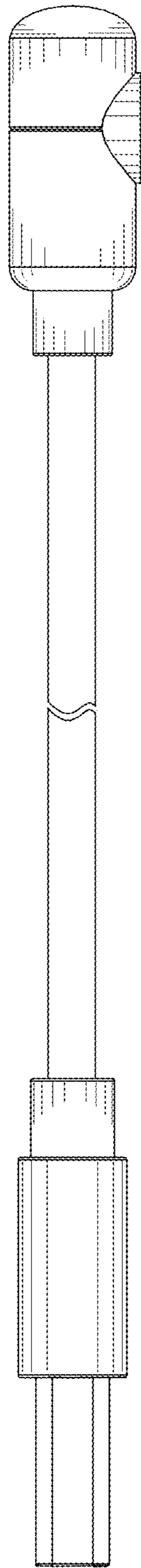


FIG.5

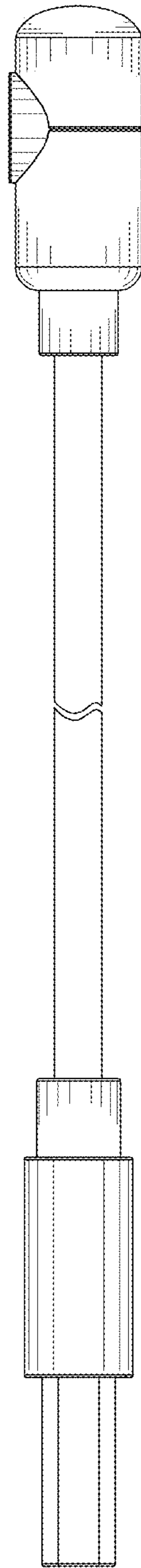


FIG.6

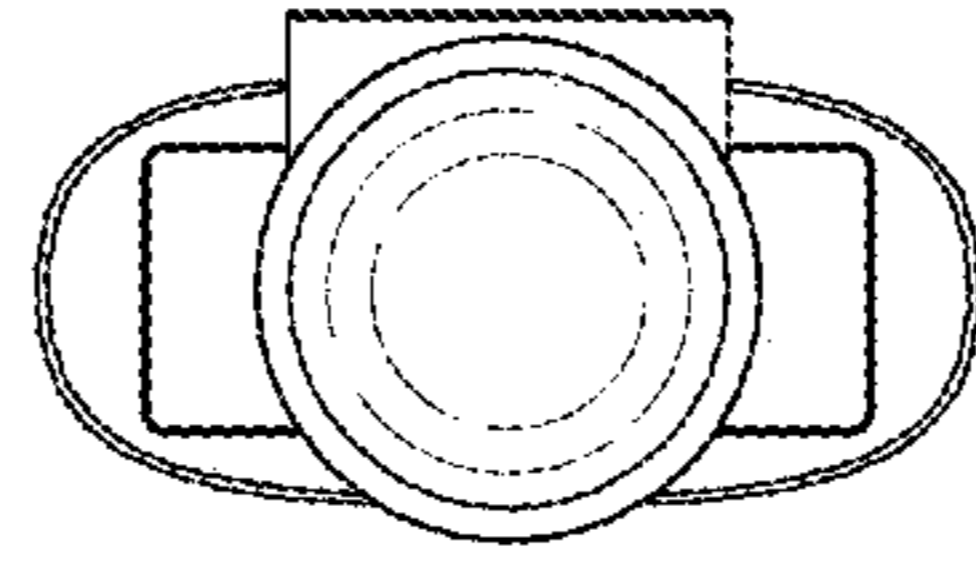


FIG. 7

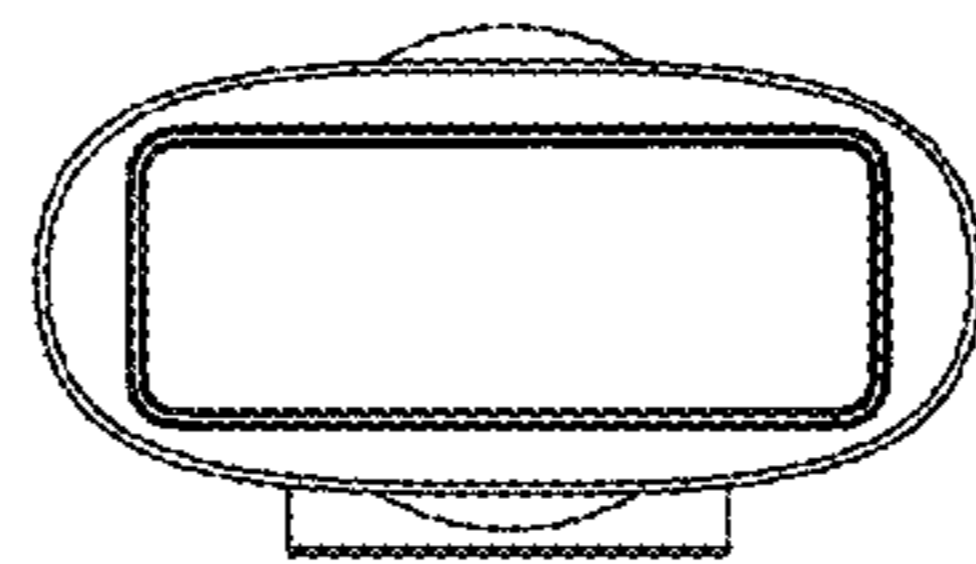


FIG. 8