



US00D920250S

(12) **United States Design Patent**
Gonzalez et al.

(10) **Patent No.:** **US D920,250 S**
(45) **Date of Patent:** **** May 25, 2021**

(54) **CONNECTOR**

datasheets/pdf/en-us/0310671010_CRIMP_HOUSINGS.pdf (Year: 2015).*

(71) Applicant: **Molex, LLC**, Lisle, IL (US)

Primary Examiner — Shawn T Gingrich

(72) Inventors: **Michael Gonzalez**, Lisle, IL (US);
Joseph D. Comerci, Lisle, IL (US);
Ishwarappa Ganamukhi, Bangalore (IN);
KrishnaPrasad Darbal Somanath, Bangalore (IN);
Manohara Ramakrishna Gowda, Bangalore (IN)

Assistant Examiner — Michael Chong

(74) *Attorney, Agent, or Firm* — Banner & Witcoff, Ltd.

(73) Assignee: **Molex, LLC**, Lisle, IL (US)

(57) **CLAIM**

The ornamental design for a connector, as shown and described.

(**) Term: **15 Years**

DESCRIPTION

(21) Appl. No.: **29/681,956**

FIG. 1 is a front perspective view of a connector showing our new design;

(22) Filed: **Feb. 28, 2019**

FIG. 2 is a rear perspective view thereof;

(51) **LOC (13) Cl.** **13-03**

FIG. 3 is a top view thereof;

(52) **U.S. Cl.**

FIG. 4 is a bottom view thereof;

USPC **D13/133; D13/147**

FIG. 5 is a right side view thereof;

(58) **Field of Classification Search**

USPC D13/133, 146, 147, 151, 153, 155, 156,
D13/184

FIG. 6 is a left side view thereof;

FIG. 7 is a front view thereof;

FIG. 8 is a rear view thereof;

(Continued)

FIG. 9 is a front perspective view of an alternate embodiment of a connector showing our new design;

(56) **References Cited**

U.S. PATENT DOCUMENTS

6,939,159 B1 * 9/2005 Klein H01R 13/6272

439/352

D530,281 S * 10/2006 Lord D13/147

(Continued)

FIG. 10 is a rear perspective view thereof;

FIG. 11 is a top view thereof;

FIG. 12 is a bottom view thereof;

FIG. 13 is a right side view thereof;

FIG. 14 is a left side view thereof;

FIG. 15 is a front view thereof; and,

FIG. 16 is a rear view thereof.

FOREIGN PATENT DOCUMENTS

CN 305633274 * 3/2020

TW D175791 5/2016

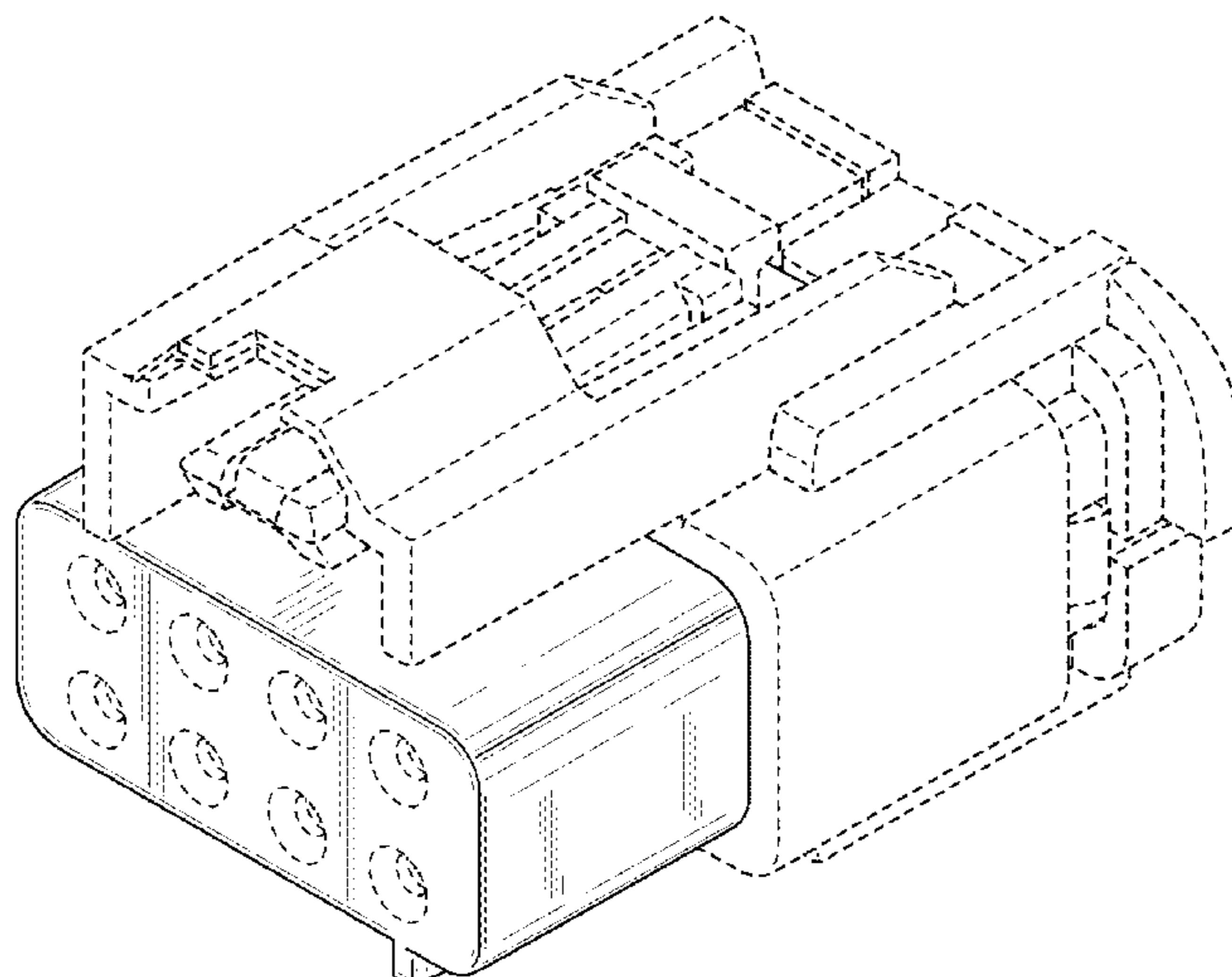
(Continued)

The broken lines immediately adjacent to the shaded areas represent the bounds of the claimed design and form no part thereof. The unshaded broken line features within the shaded area form no part of the claimed design. The broken lines depicting the remainder of the connector show features that form no part of the claimed design. In FIGS. 9-16, the connector is shown with a symbolic break in length. The appearance of any portion of the connector between the break lines indicated by brackets forms no part of the claimed design.

OTHER PUBLICATIONS

Receptacle, Dec. 14, 2015, [online], [site visited Jun. 18, 2020], Available from Internet URL: <https://www.molex.com/webdocs/>

1 Claim, 16 Drawing Sheets



(58) **Field of Classification Search**

CPC H01R 13/02; H01R 13/436; H01R 13/502;
H01R 13/504; H01R 13/506; H01R
13/62; H01R 13/64; H01R 13/641

See application file for complete search history.

(56) **References Cited**

U.S. PATENT DOCUMENTS

D560,613 S * 1/2008 McEvoy D13/147
D561,107 S * 2/2008 Cuff D13/147
D561,108 S * 2/2008 Cuff D13/147
D561,698 S * 2/2008 Cuff D13/147
D562,775 S * 2/2008 Cuff D13/147
9,847,597 B2 * 12/2017 Uttarkar H01R 13/6272
D810,689 S * 2/2018 Takano D13/147
D811,345 S * 2/2018 Takano D13/147
D835,044 S 12/2018 Ramanna et al.
D848,952 S * 5/2019 Gregori D13/147
D848,953 S * 5/2019 Gregori D13/147
10,468,804 B2 * 11/2019 Kawamura H01R 13/15
D883,225 S * 5/2020 Asano D13/147
D892,052 S * 8/2020 Kuroiwa D13/133
D892,059 S * 8/2020 Zhang D13/147
10,804,637 B2 * 10/2020 Gonzalez Delgadillo
H01R 13/506
2020/0227859 A1 * 7/2020 Nobukuni H01R 13/5202

FOREIGN PATENT DOCUMENTS

TW D180283 12/2016
TW D187631 1/2018

* cited by examiner

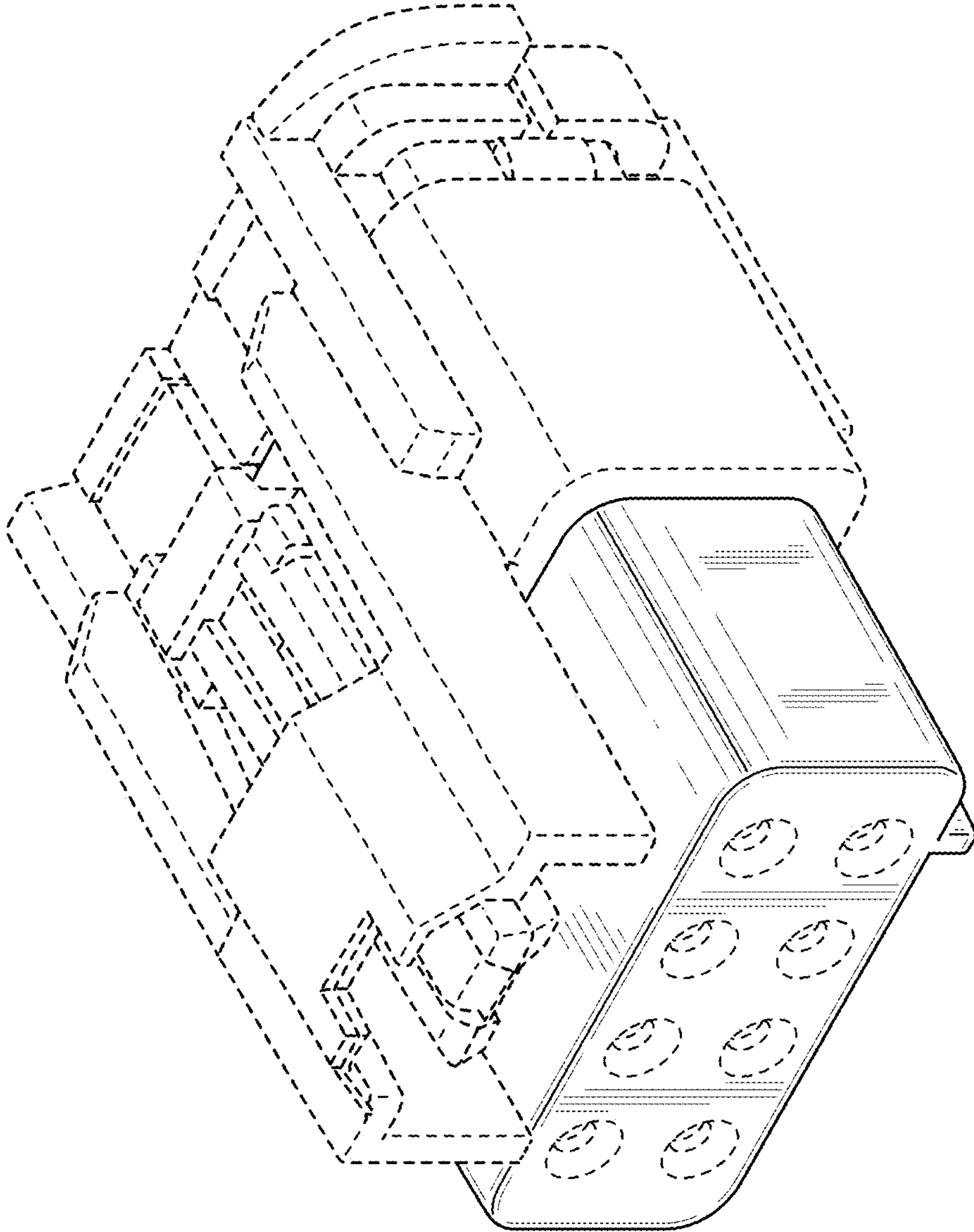


FIG. 1

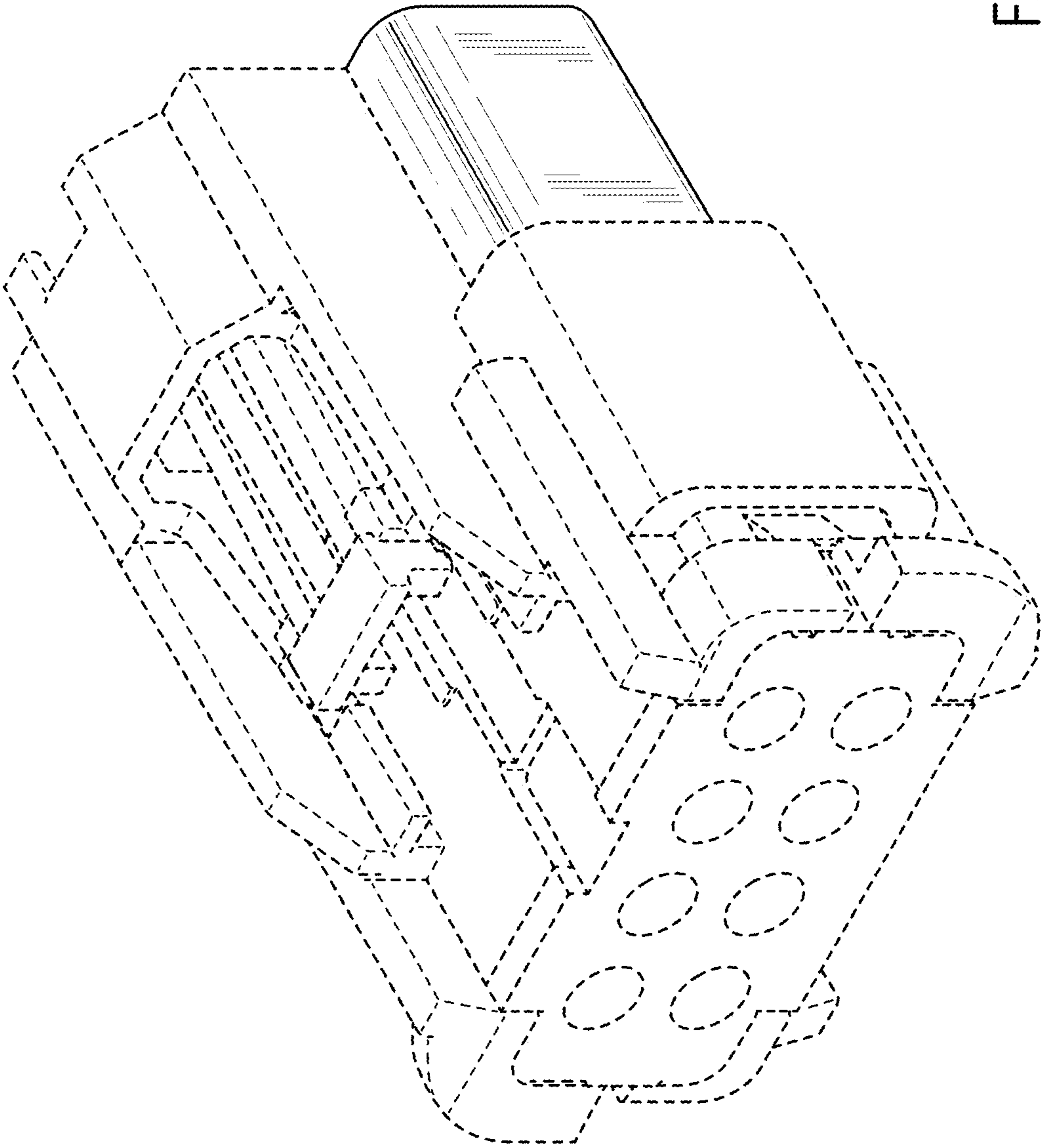


FIG. 2

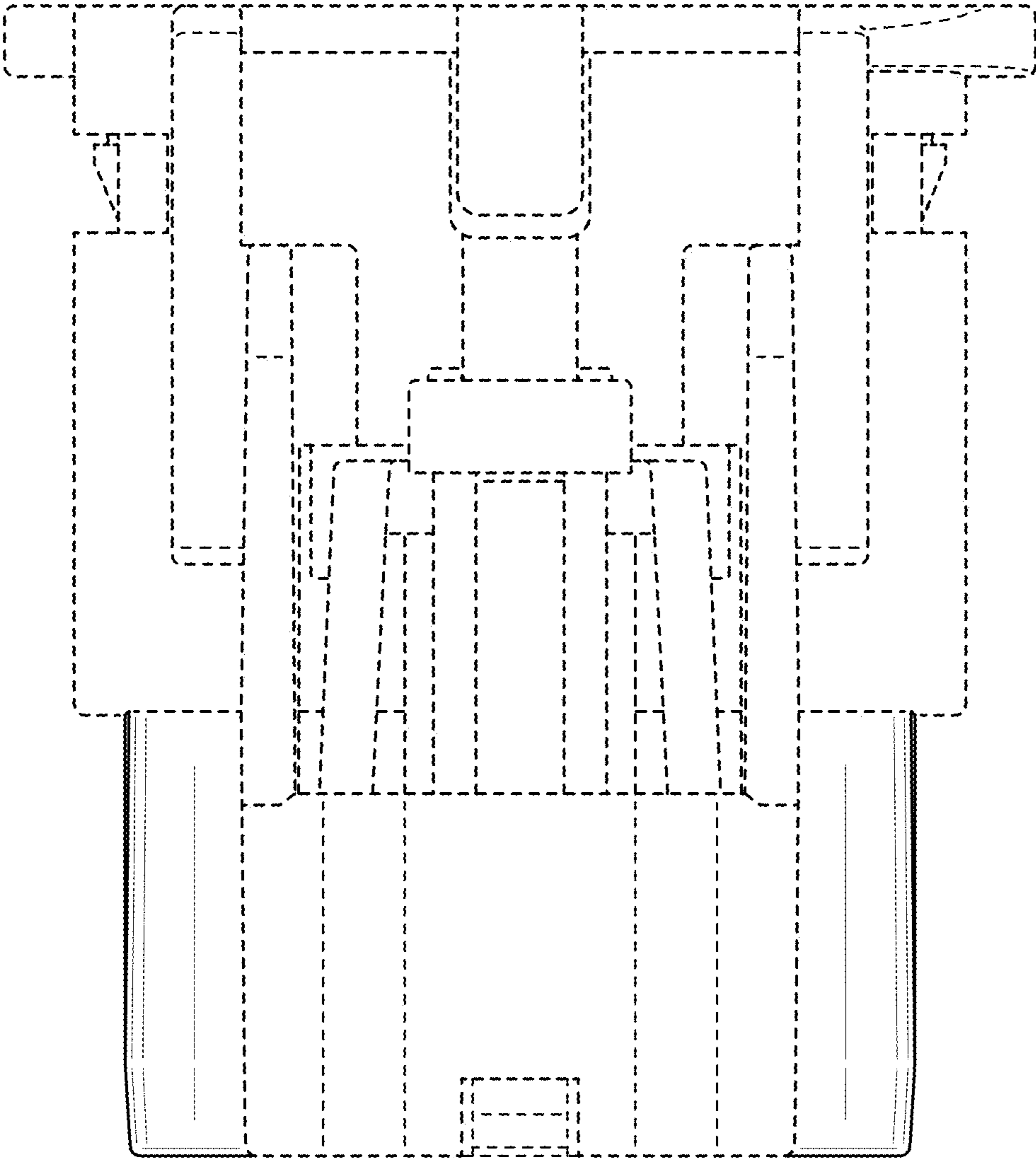


FIG. 3

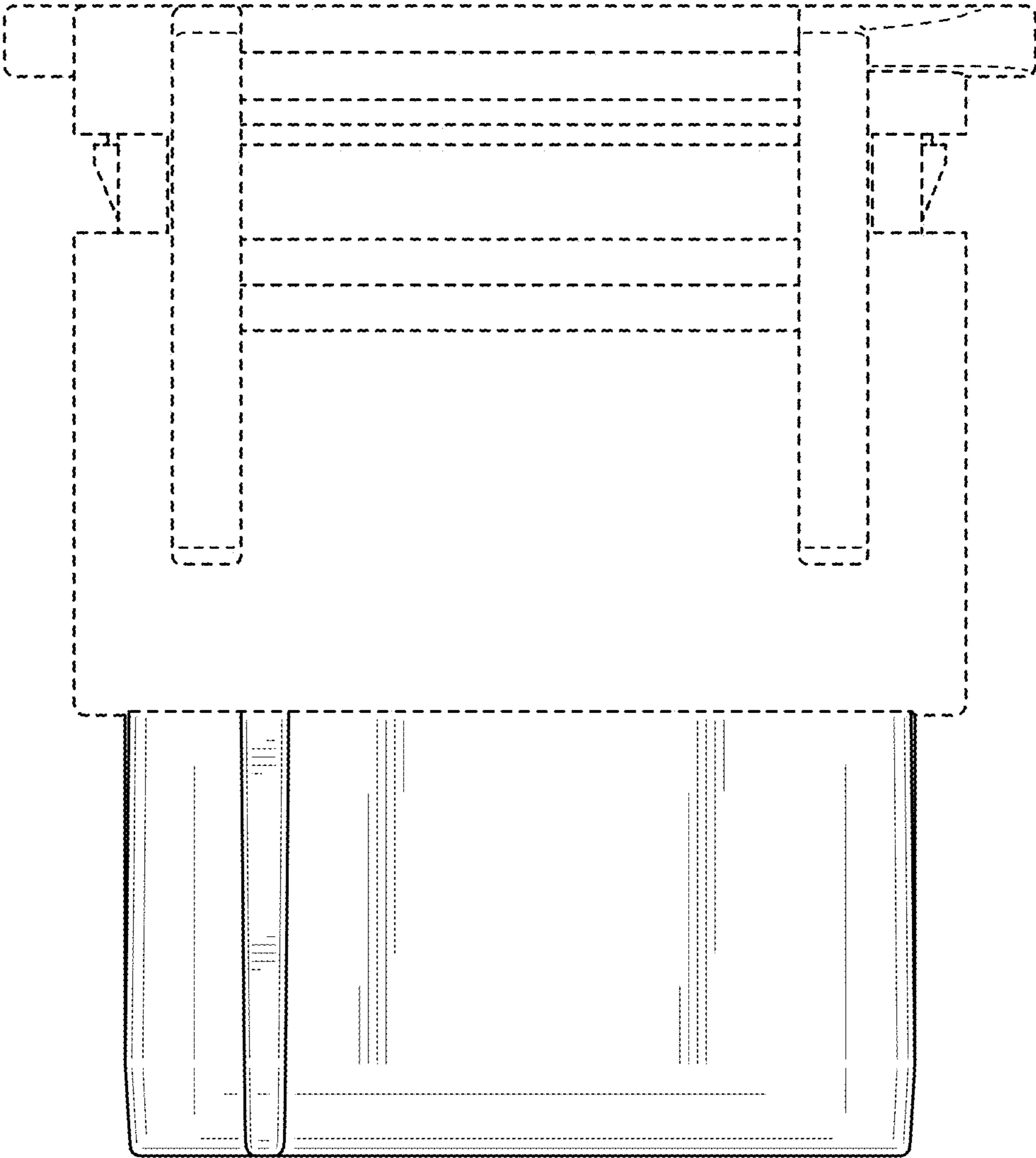


FIG. 4

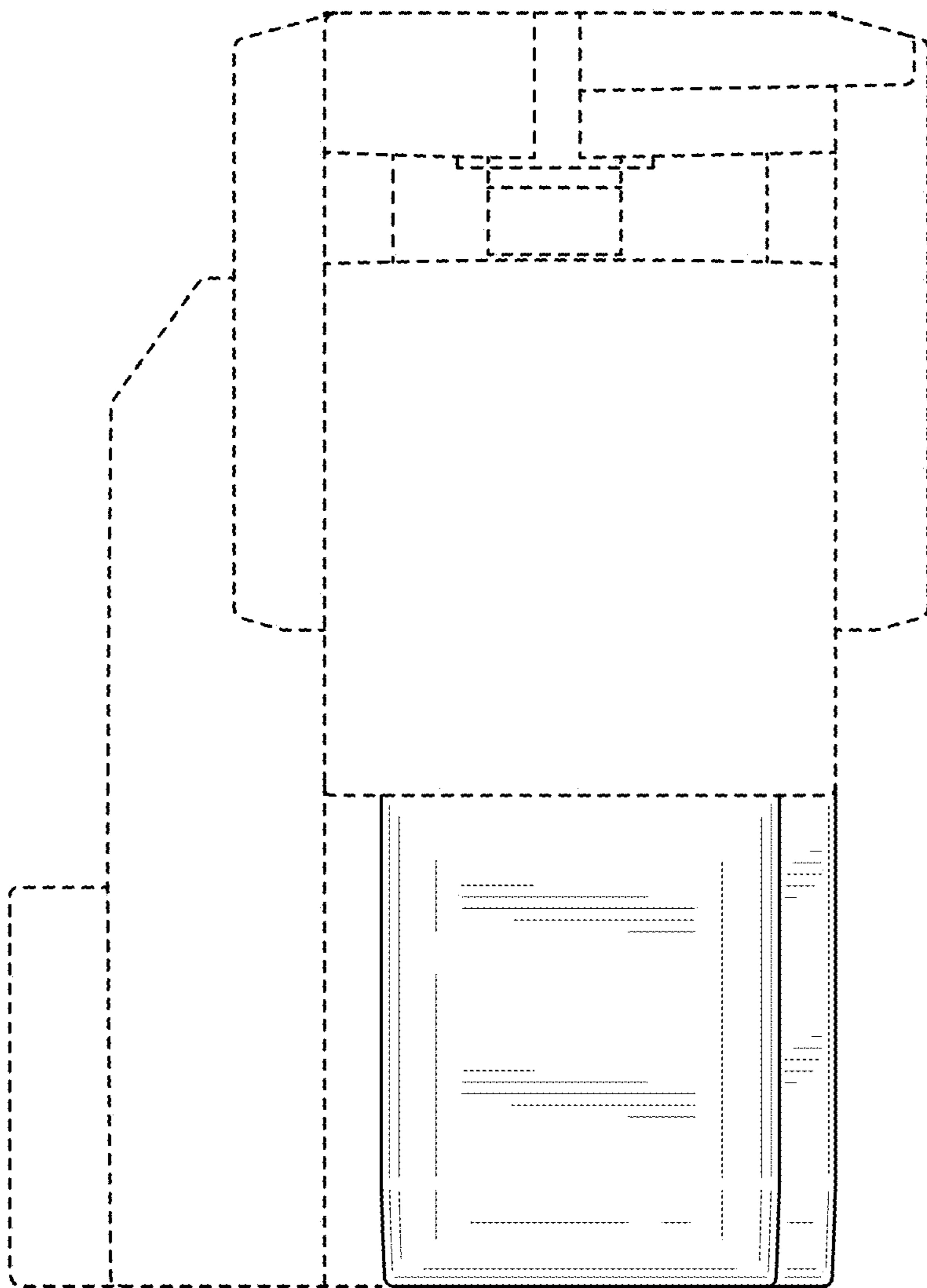


FIG. 5

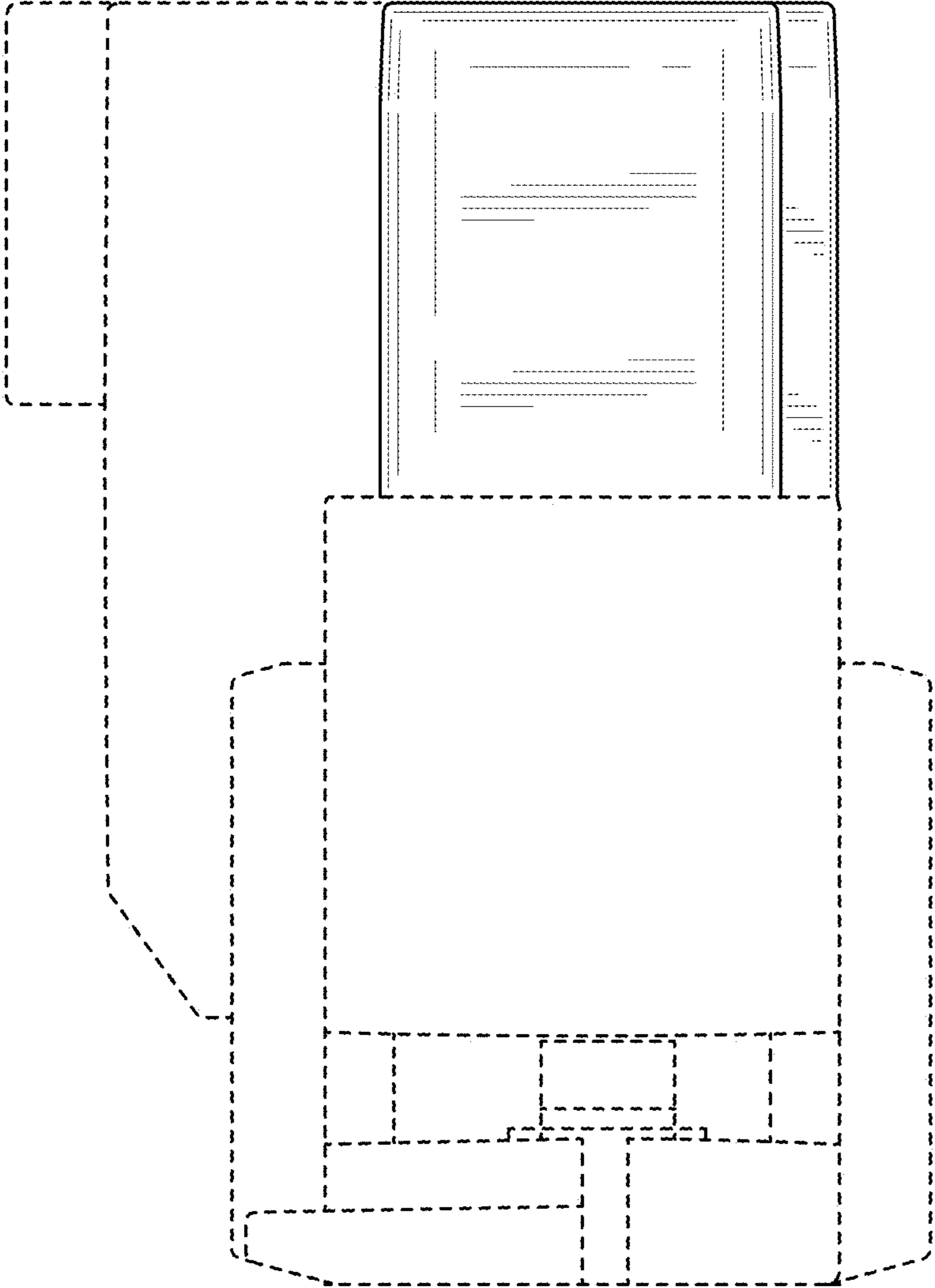


FIG. 6

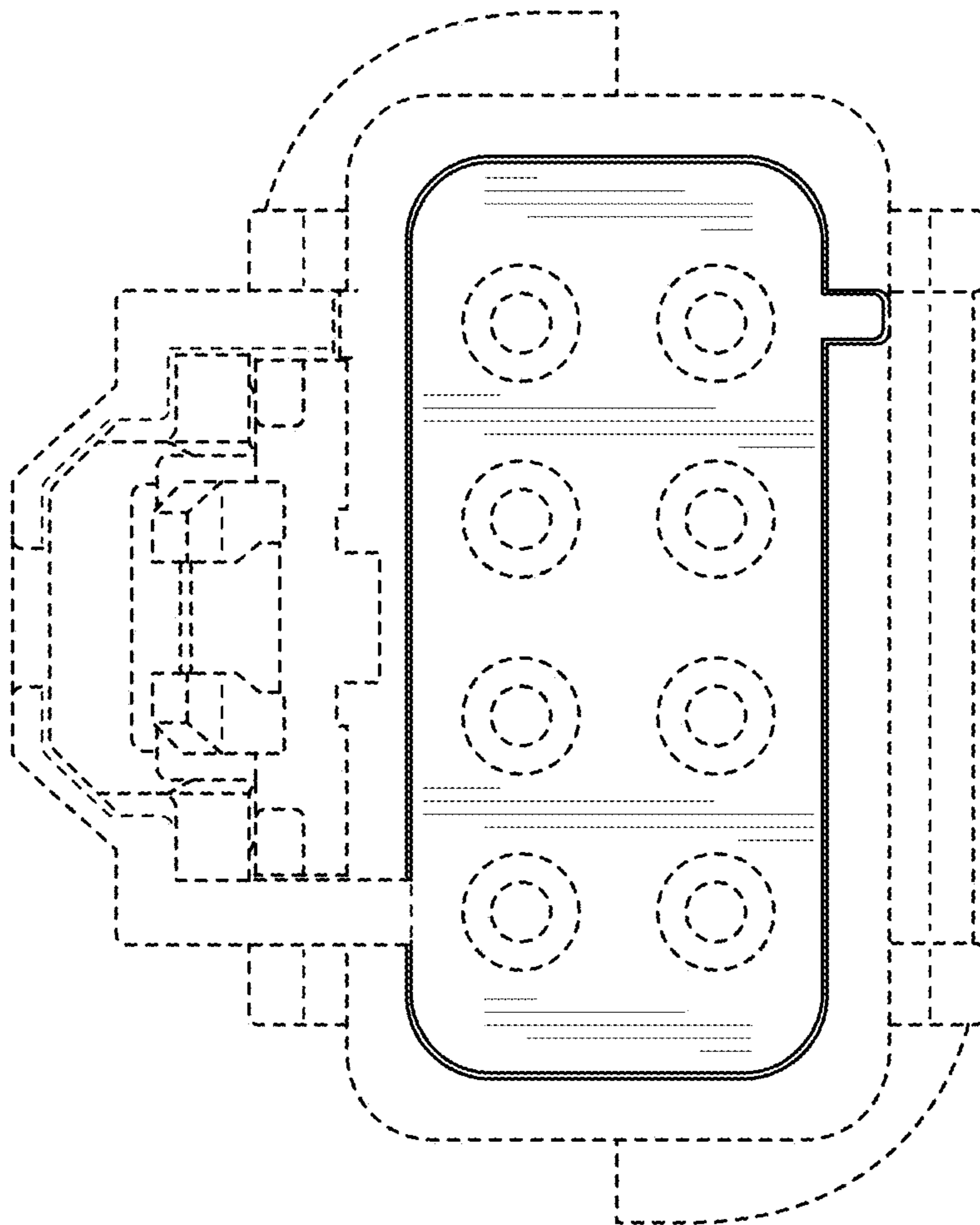


FIG. 7

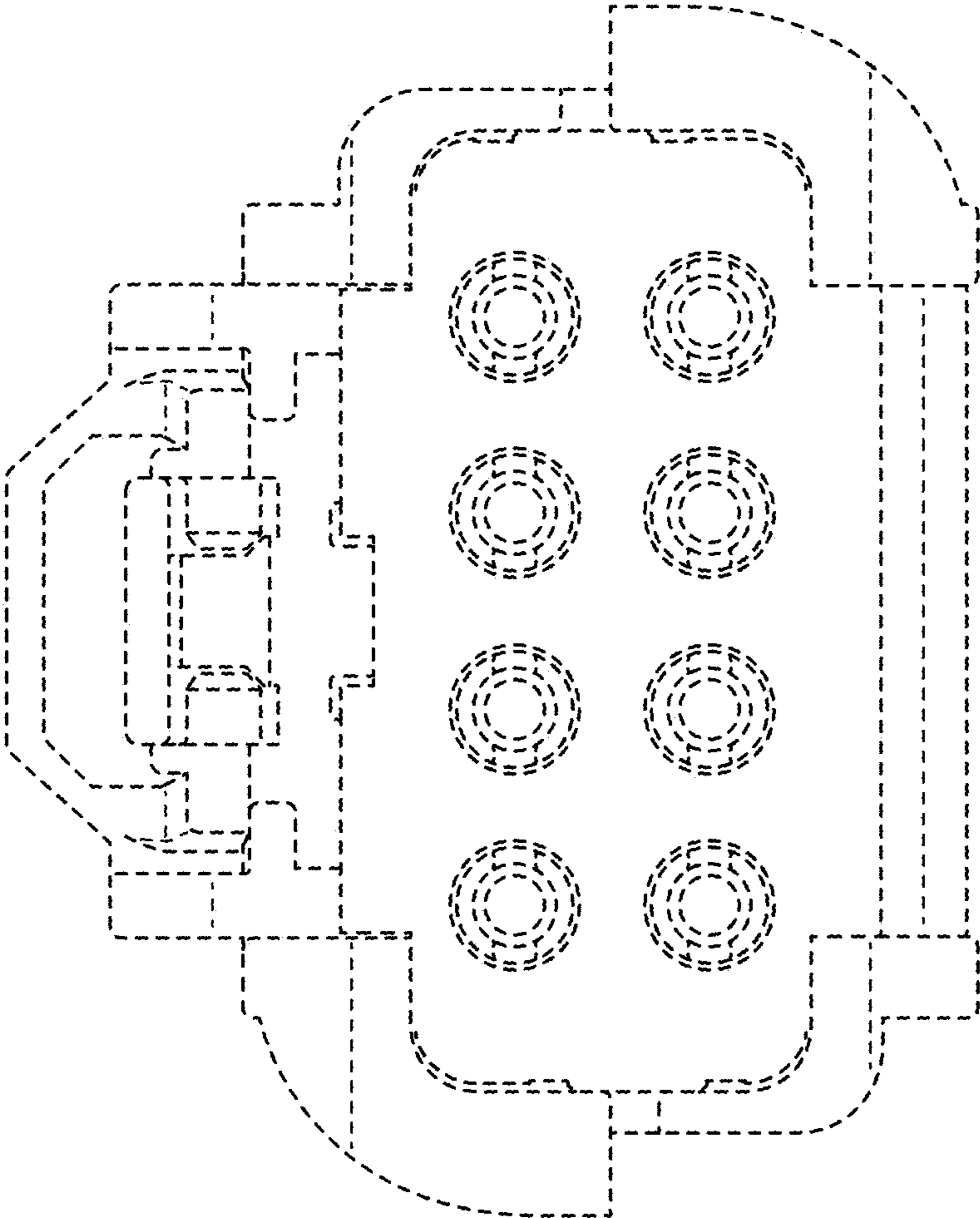


FIG. 8

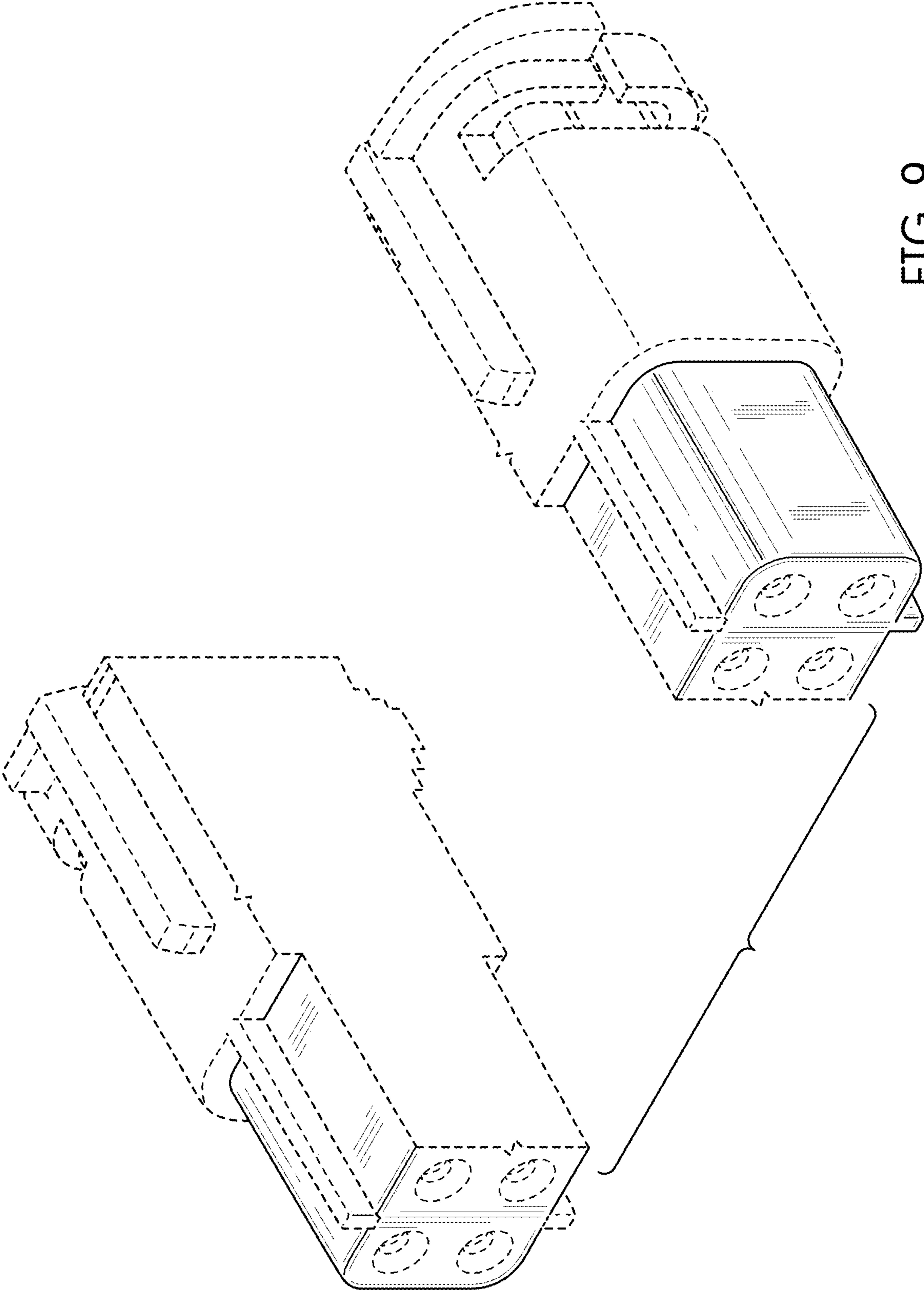


FIG. 9

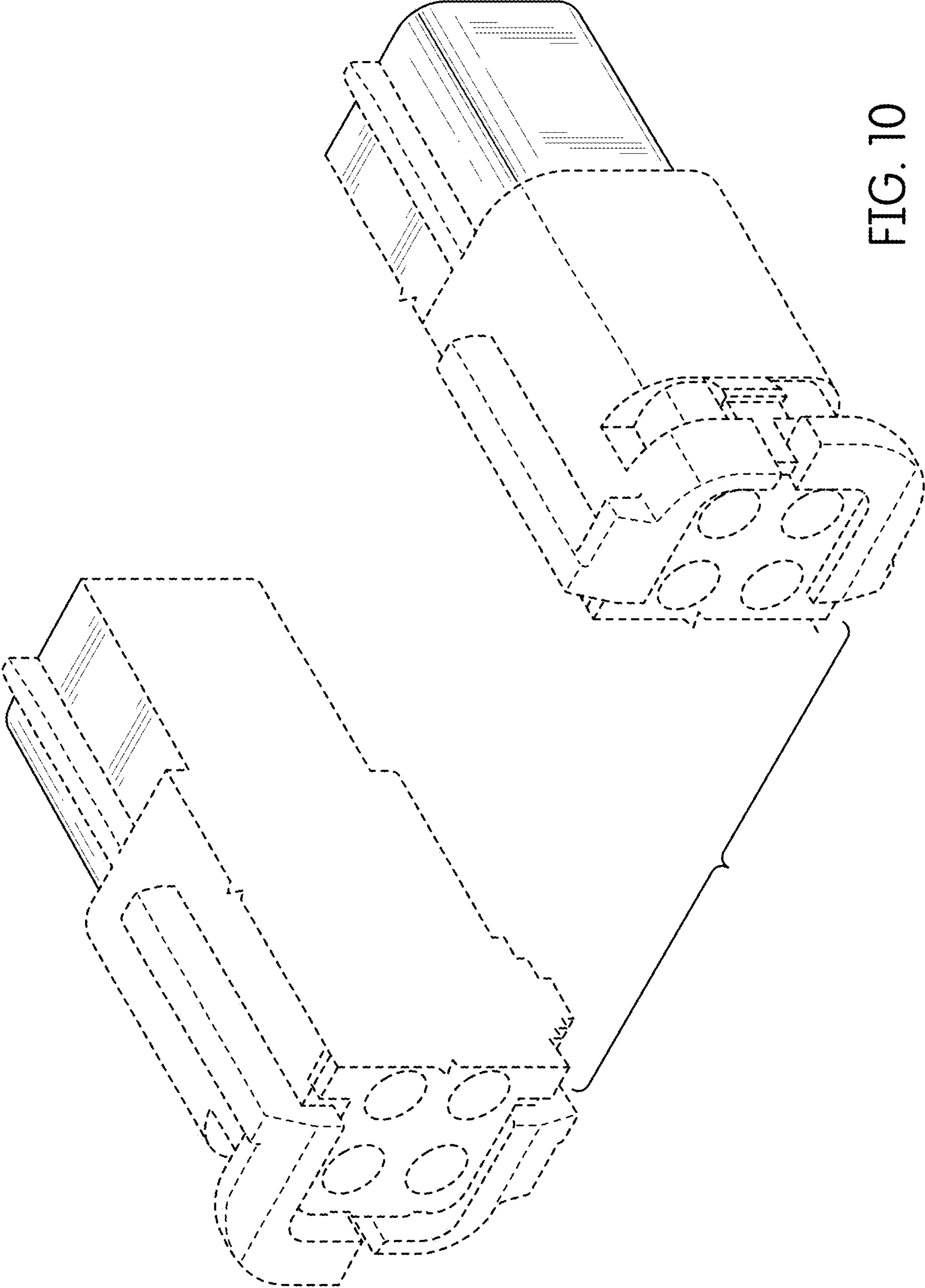


FIG. 10

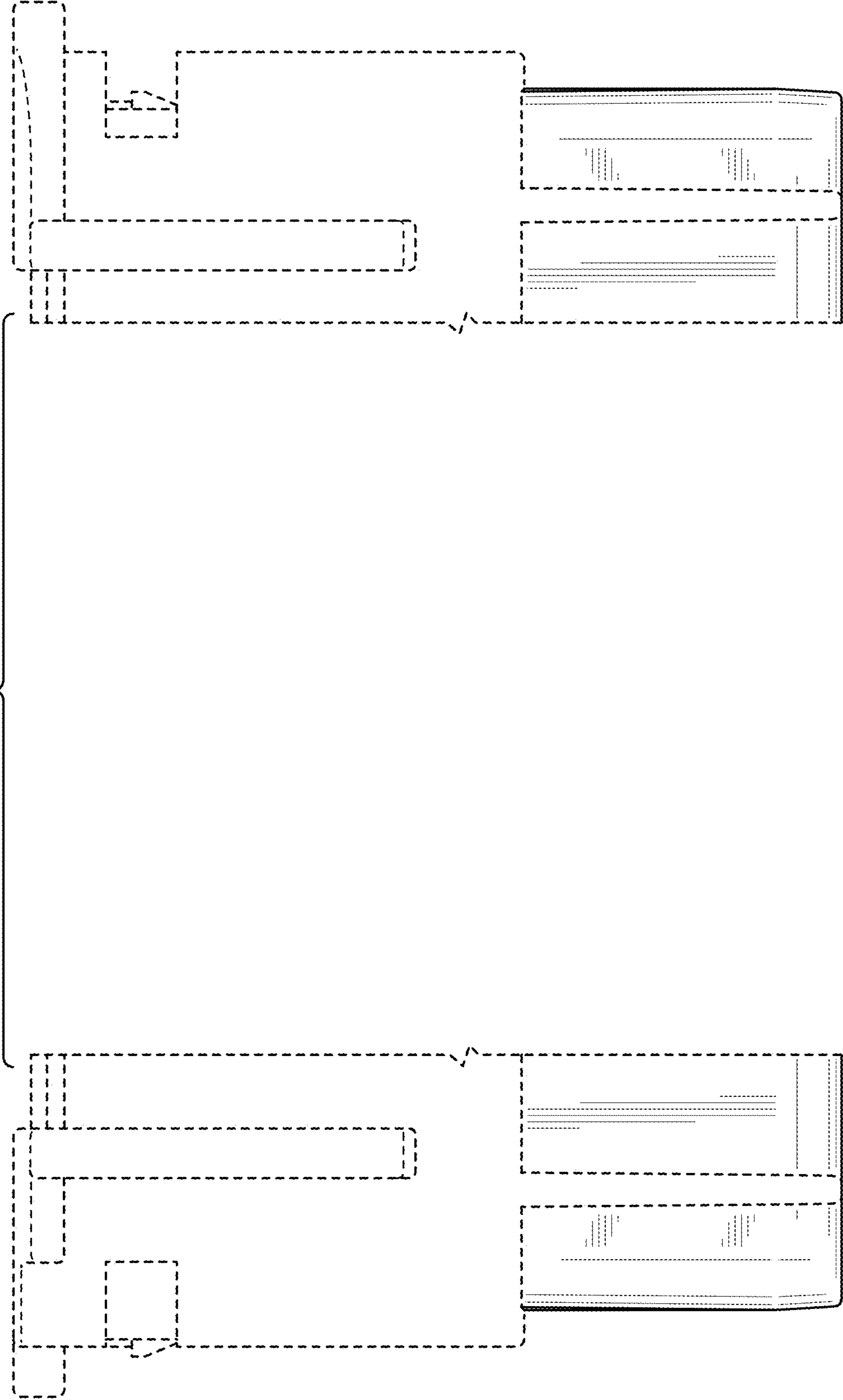


FIG. 11

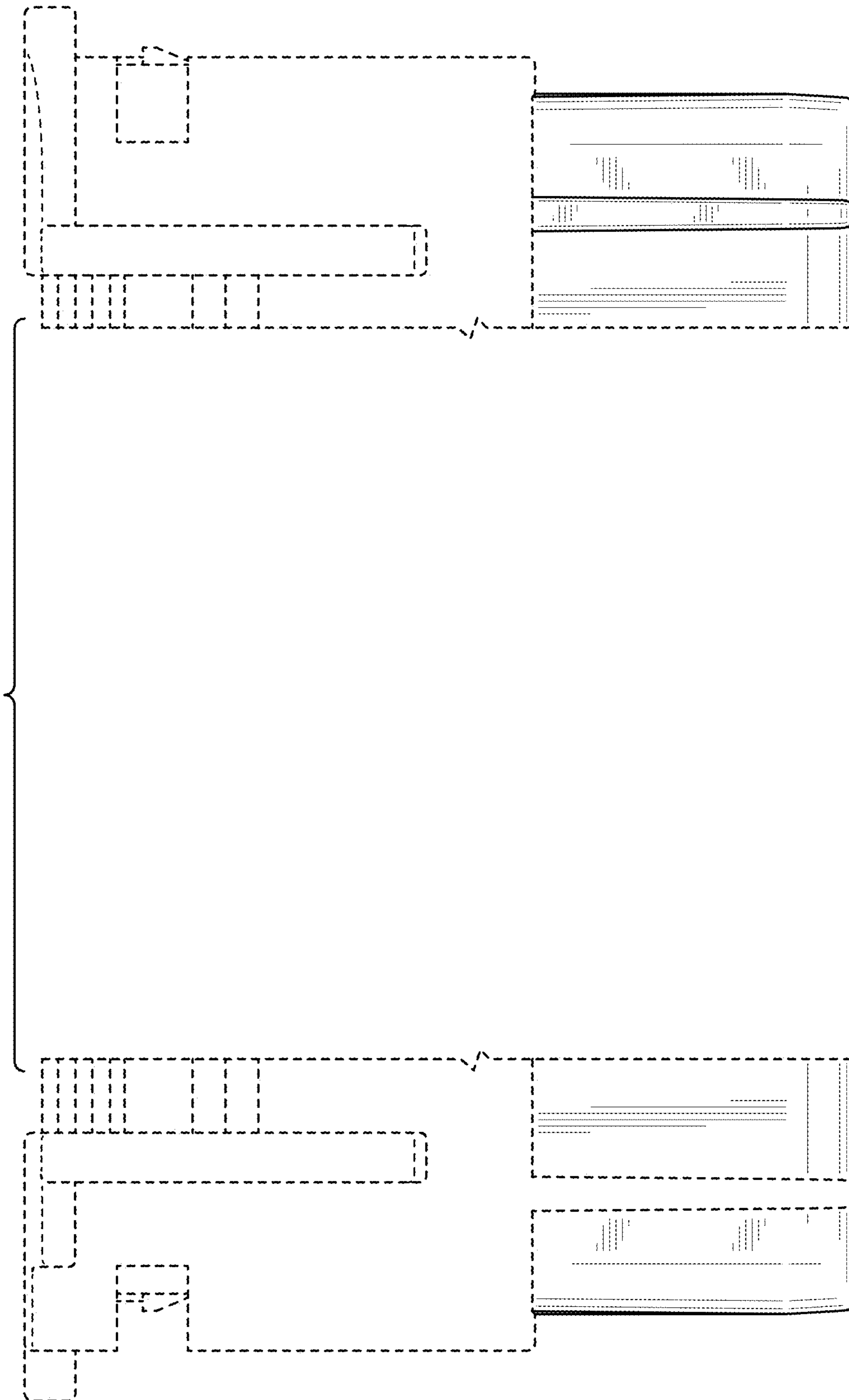


FIG. 12

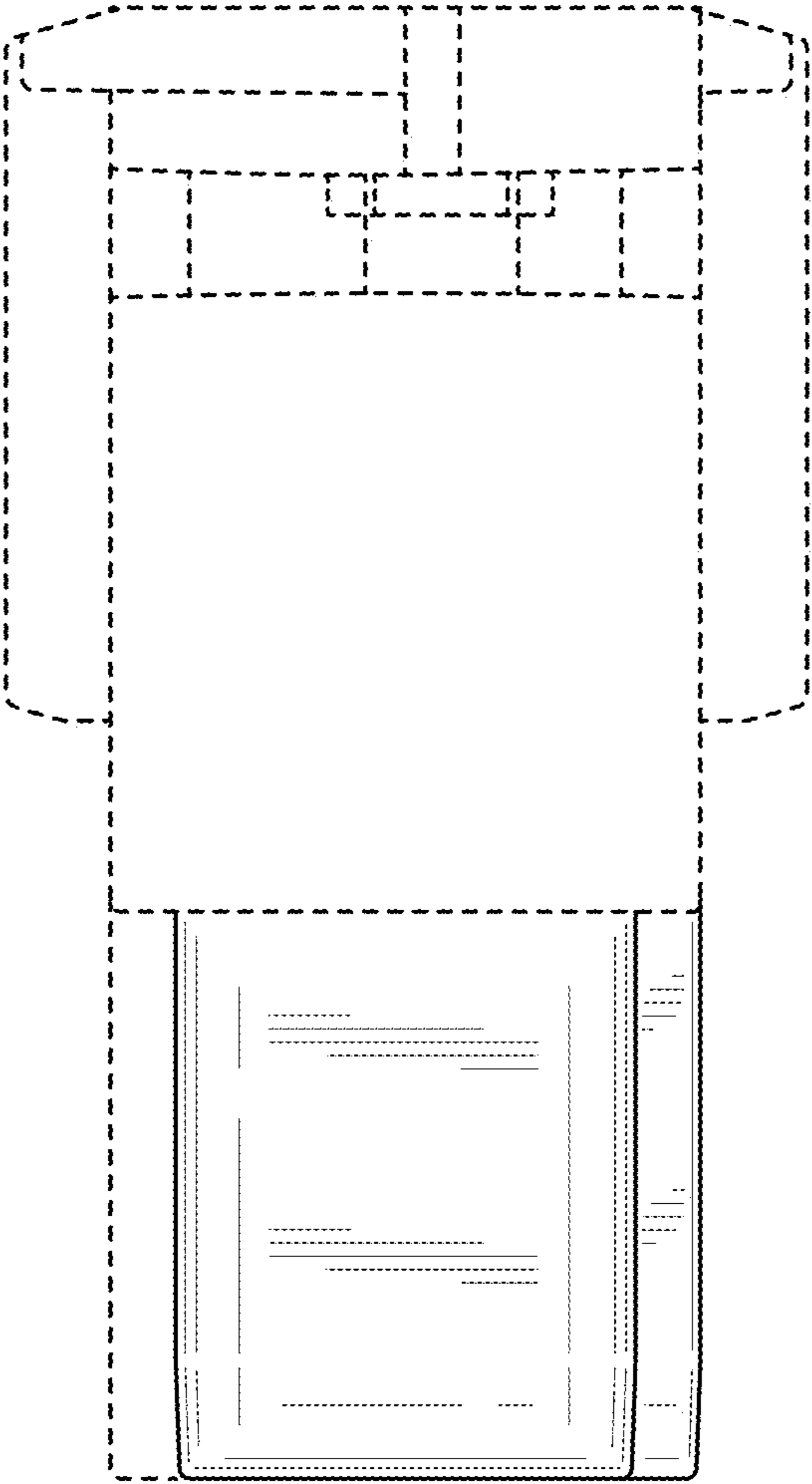


FIG. 13

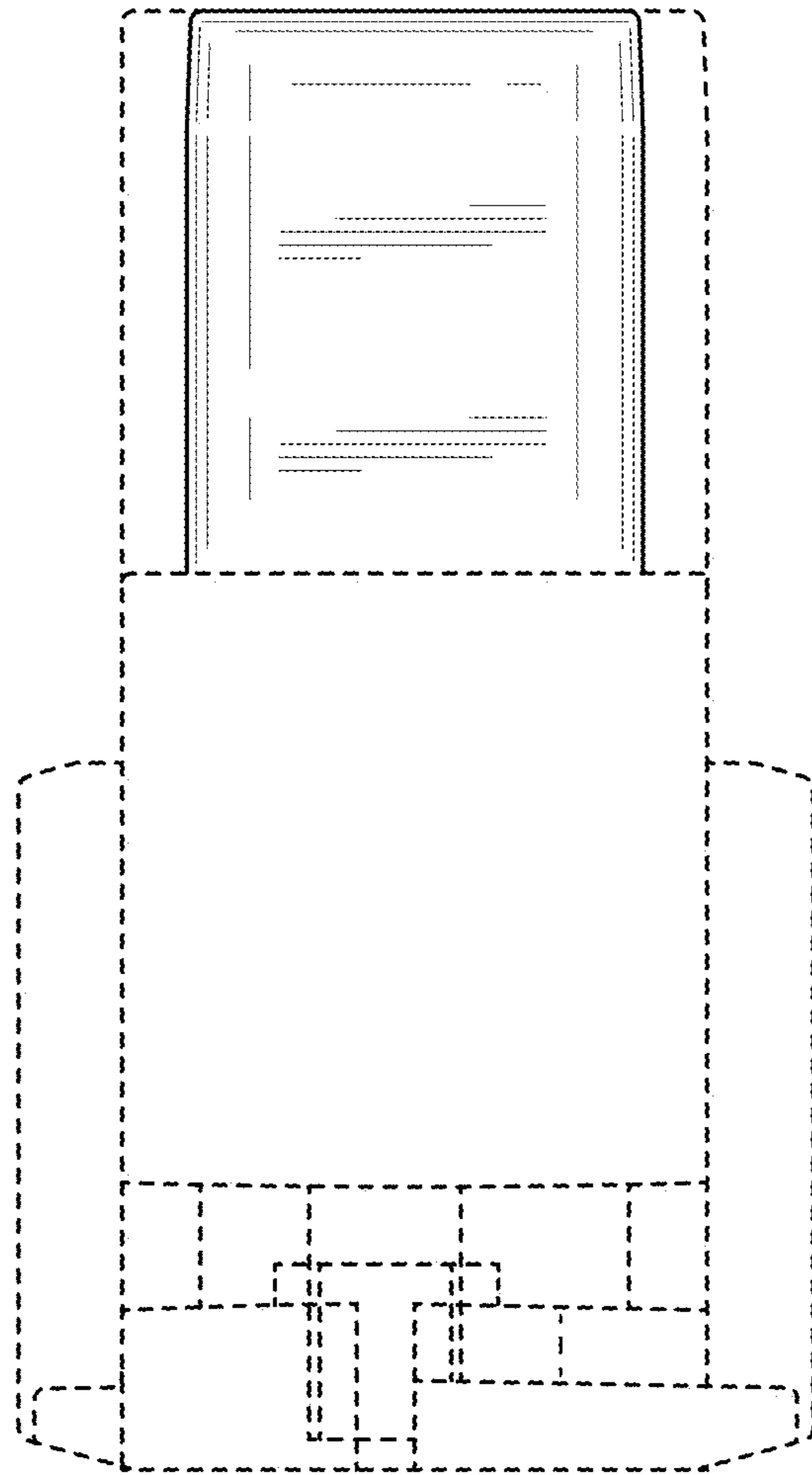


FIG. 14

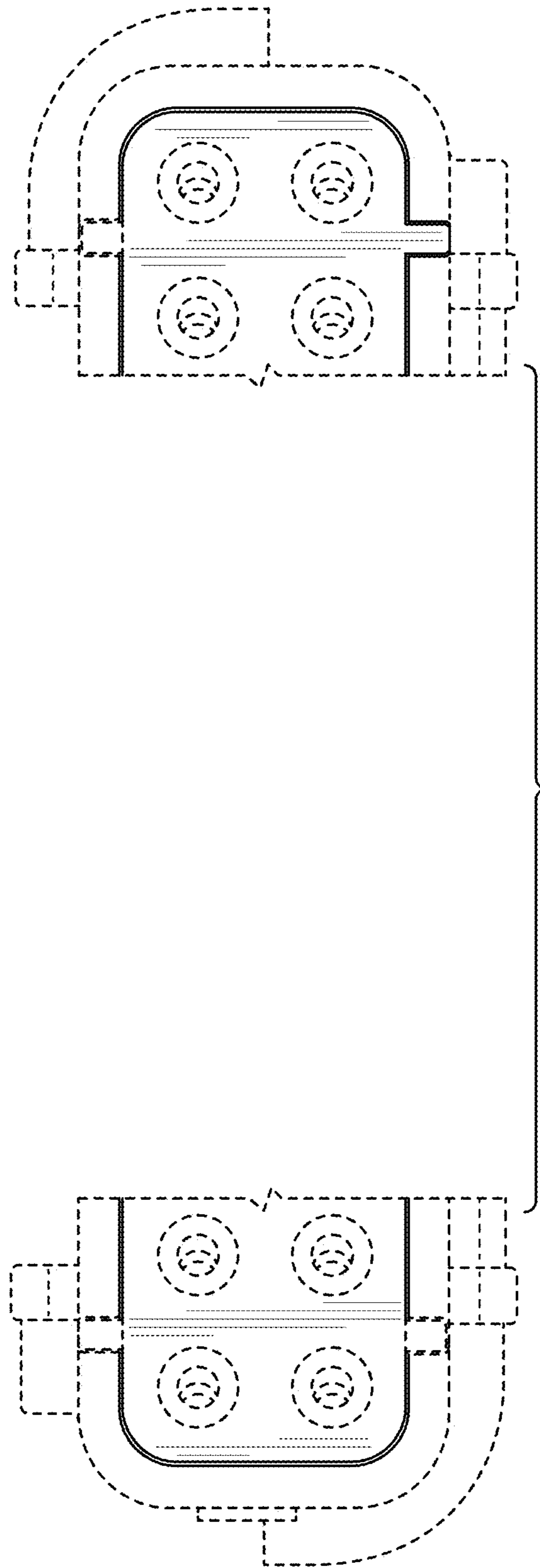


FIG. 15

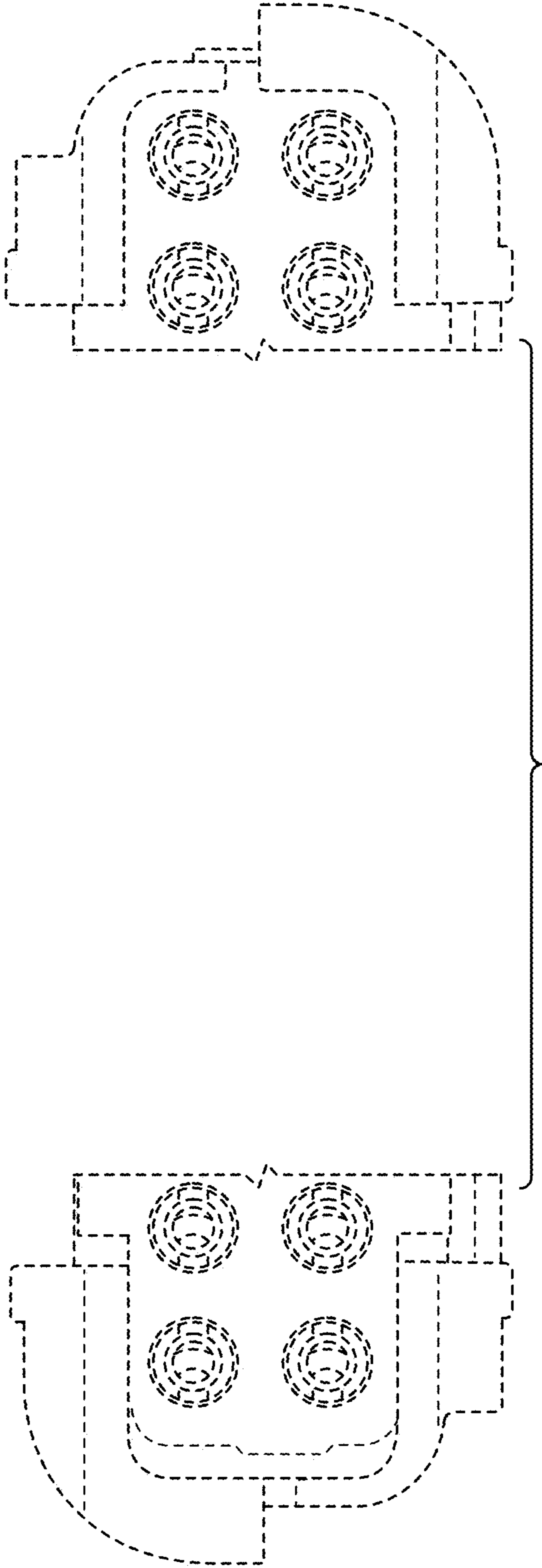


FIG. 16