



US00D920247S

(12) **United States Design Patent** (10) **Patent No.:** **US D920,247 S**  
**Liu** (45) **Date of Patent:** **\*\* May 25, 2021**

(54) **CURRENT TRANSDUCER**  
(71) Applicant: **LEM Intellectual Property SA,**  
Fribourg (CH)

(72) Inventor: **Xuyang Liu,** Beijing (CN)

(\*\*) Term: **15 Years**

(21) Appl. No.: **35/508,918**

(22) Filed: **Sep. 24, 2019**

(80) **Hague Agreement Data**

Int. Filing Date: **Sep. 24, 2019**

Int. Reg. No.: **DM/204500**

Int. Reg. Date: **Sep. 24, 2019**

Int. Reg. Pub. Date: **Mar. 27, 2020**

(51) **LOC (13) Cl.** ..... **13-02**

(52) **U.S. Cl.**  
USPC ..... **D13/110**

(58) **Field of Classification Search**  
USPC ..... D13/110, 101, 117, 123; D10/79  
CPC .. G01R 19/0092; G01R 15/202; H02J 7/0045  
See application file for complete search history.

(56) **References Cited**

**U.S. PATENT DOCUMENTS**

6,222,342 B1 \* 4/2001 Eggert ..... H02J 7/0045  
320/105  
D607,763 S \* 1/2010 Morel ..... D10/79  
D613,686 S \* 4/2010 Mueller ..... D13/110  
D684,927 S \* 6/2013 Sage ..... D13/110  
D685,325 S \* 7/2013 Hayashi ..... D13/110  
D685,734 S \* 7/2013 Sage ..... D13/110

D686,989 S \* 7/2013 Hayashi ..... D13/110  
D688,626 S \* 8/2013 Ye ..... D13/110  
D751,034 S \* 3/2016 Ye ..... D13/110  
D795,806 S \* 8/2017 Delmaere ..... D13/110  
D803,154 S \* 11/2017 Delmaere ..... D13/110  
D828,298 S \* 9/2018 Claeys ..... D13/110  
D830,300 S \* 10/2018 Morel ..... D13/110  
D840,336 S \* 2/2019 Labbe ..... D13/110  
D850,375 S \* 6/2019 Mouchet ..... D13/110  
D855,020 S \* 7/2019 Zhao ..... D13/110  
D856,928 S \* 8/2019 Mouchet ..... D13/110  
D860,940 S \* 9/2019 Delmaere ..... D13/110  
D861,604 S \* 10/2019 Mouchet ..... D13/110  
D864,865 S \* 10/2019 Mouchet ..... D13/110  
D867,288 S \* 11/2019 Claeys ..... D13/110  
D884,628 S \* 5/2020 Mouchet ..... D13/110  
10,914,763 B2 \* 2/2021 Mouchet ..... G01R 19/0092  
2015/0309082 A1 \* 10/2015 Labbe ..... G01R 15/202  
324/117 R

\* cited by examiner

*Primary Examiner* — Rhea Shields

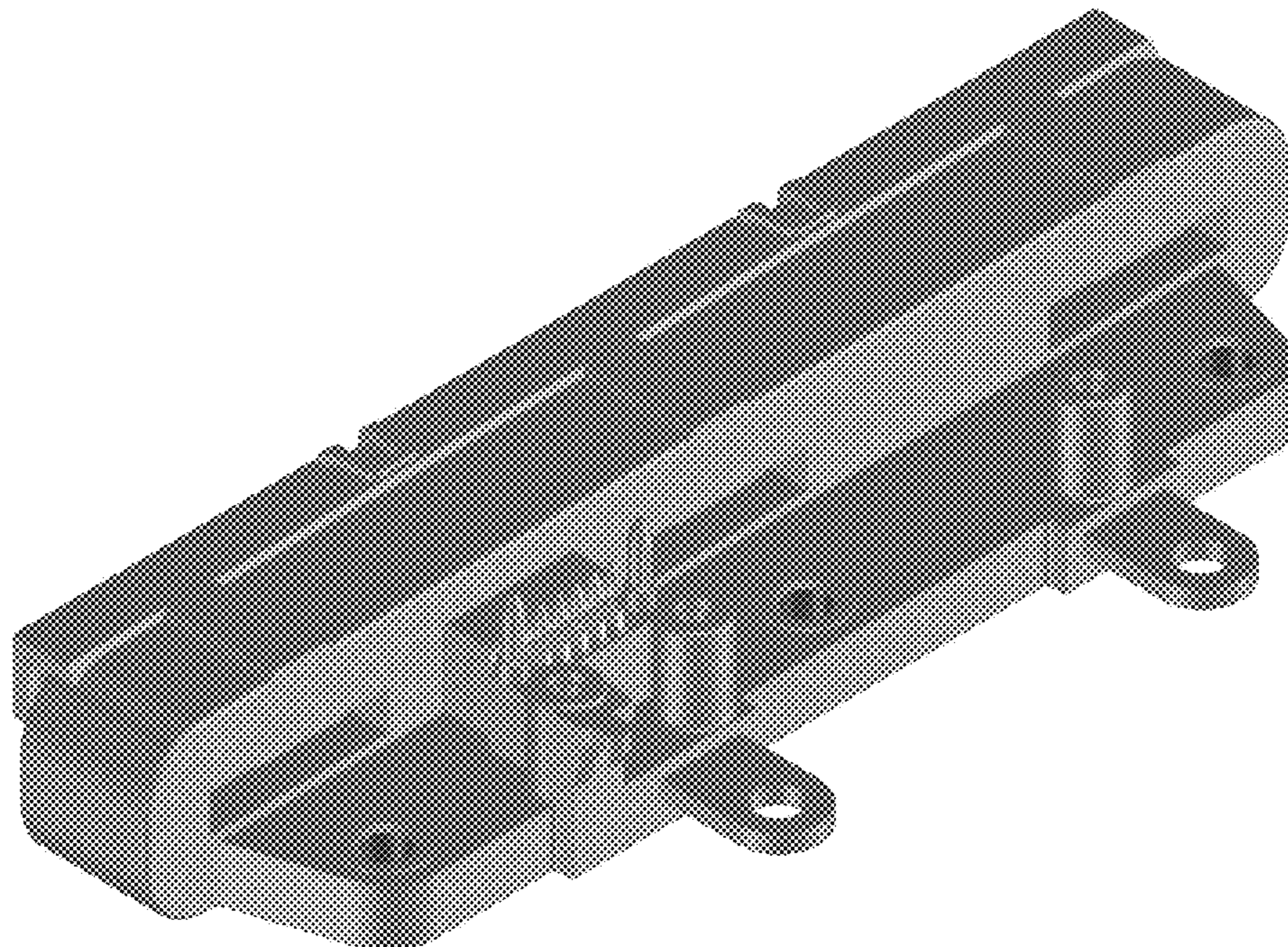
(57) **CLAIM**

The ornamental design for a current transducer, as shown and described.

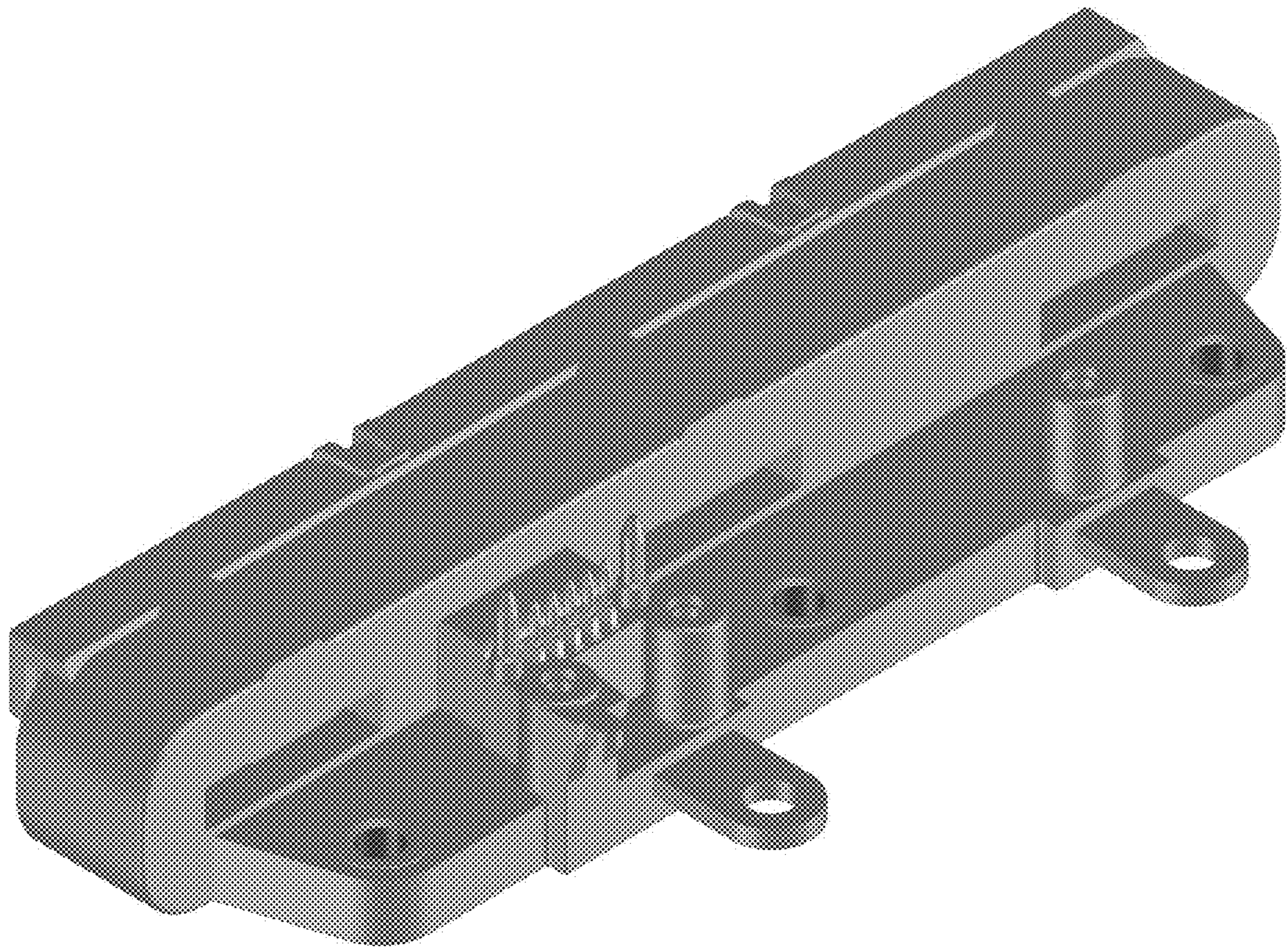
**DESCRIPTION**

- 1. Current transducer
- 1.1 : Perspective
- 1.2 : Perspective
- 1.3 : Front
- 1.4 : Back
- 1.5 : Top
- 1.6 : Bottom
- 1.7 : Left
- 1.8 : Right

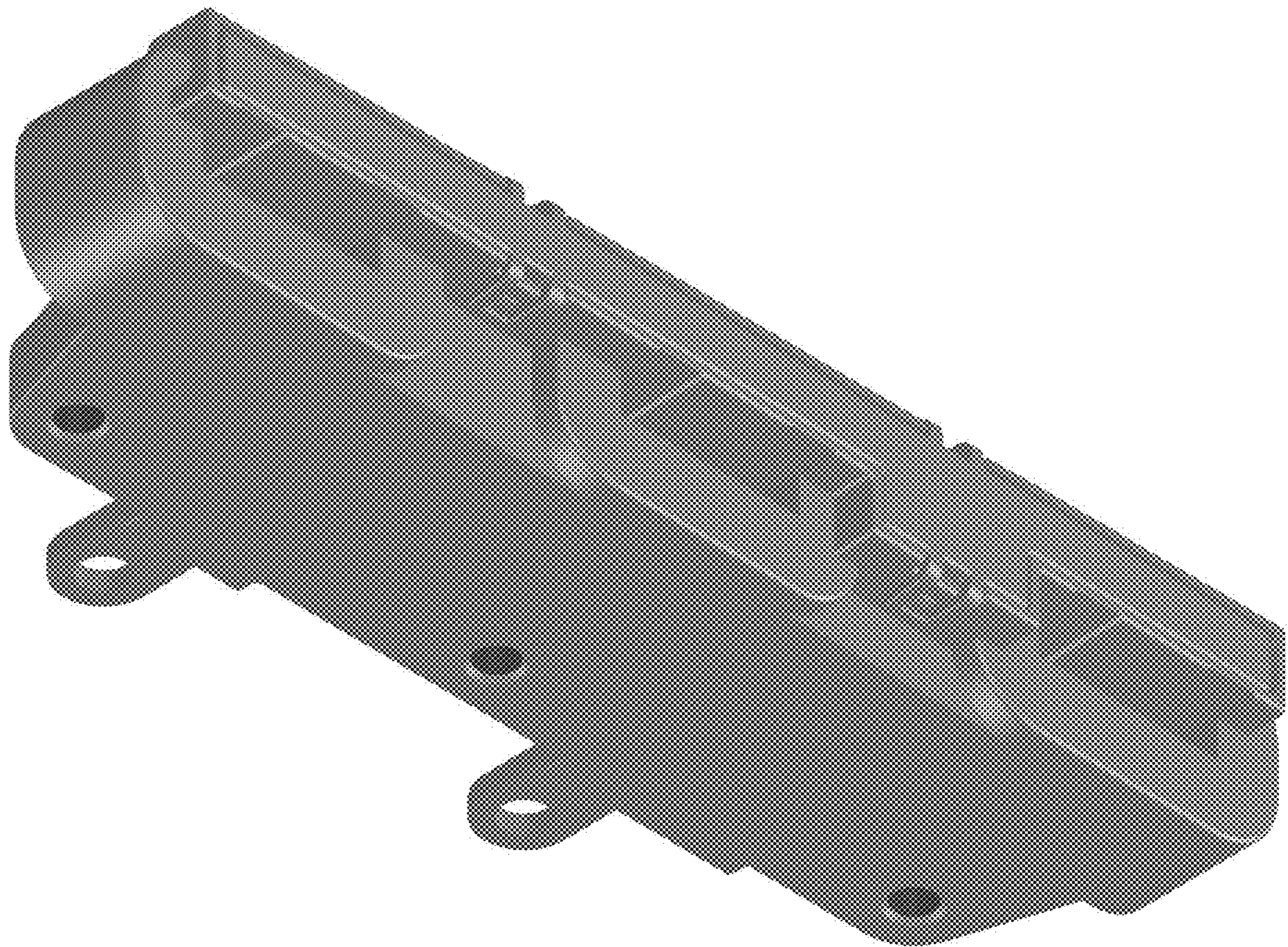
**1 Claim, 8 Drawing Sheets**



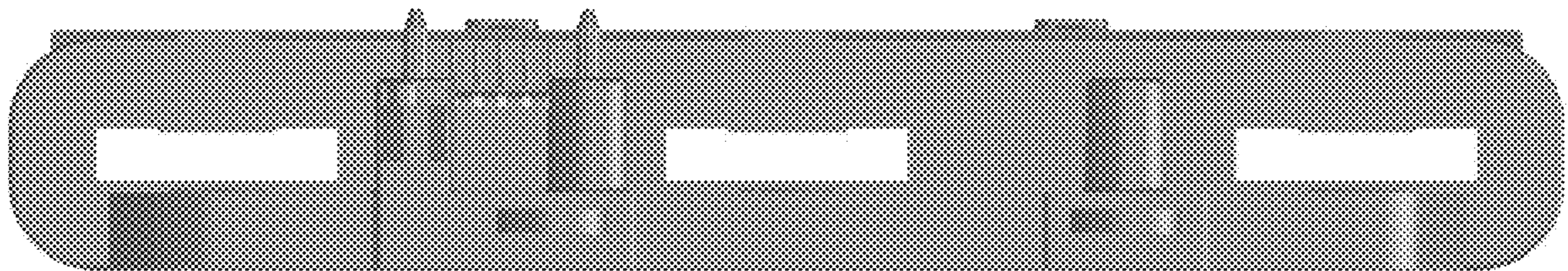
1.1



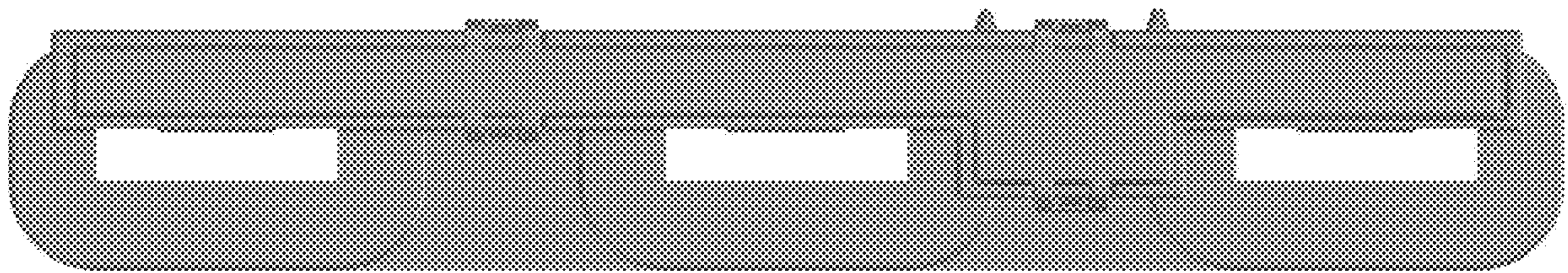
1.2



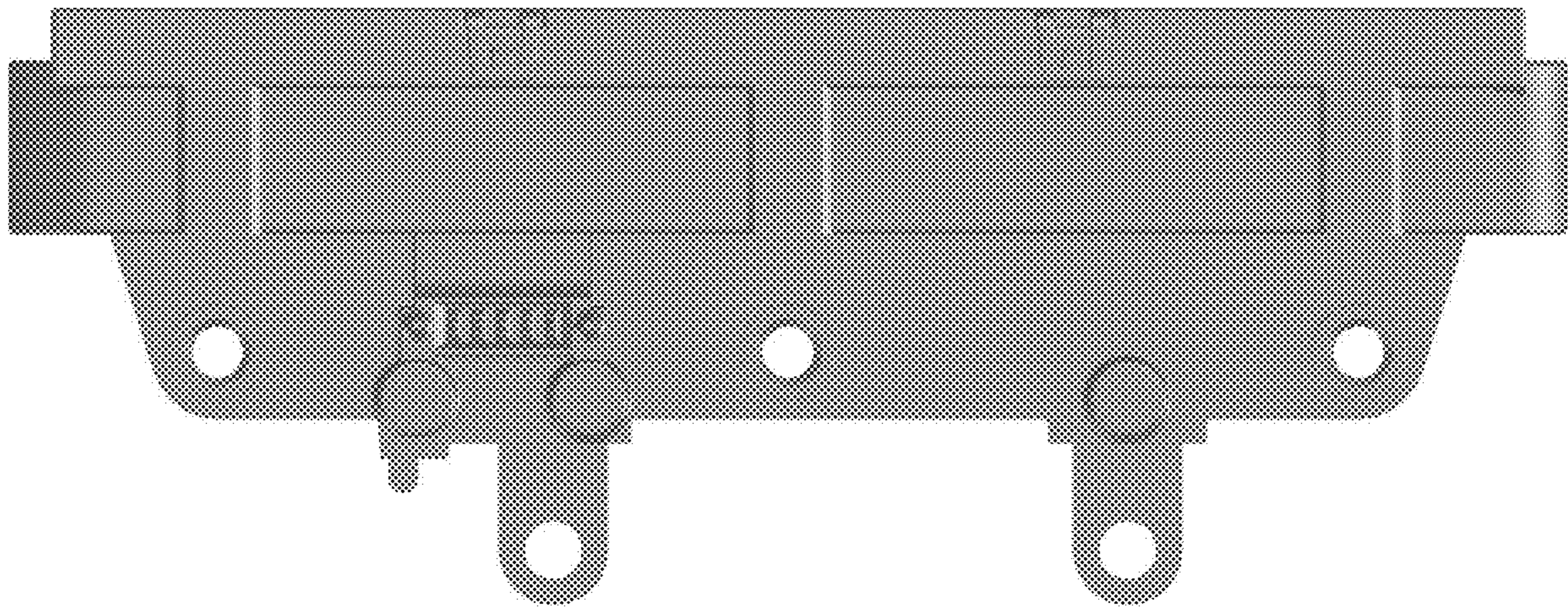
1.3



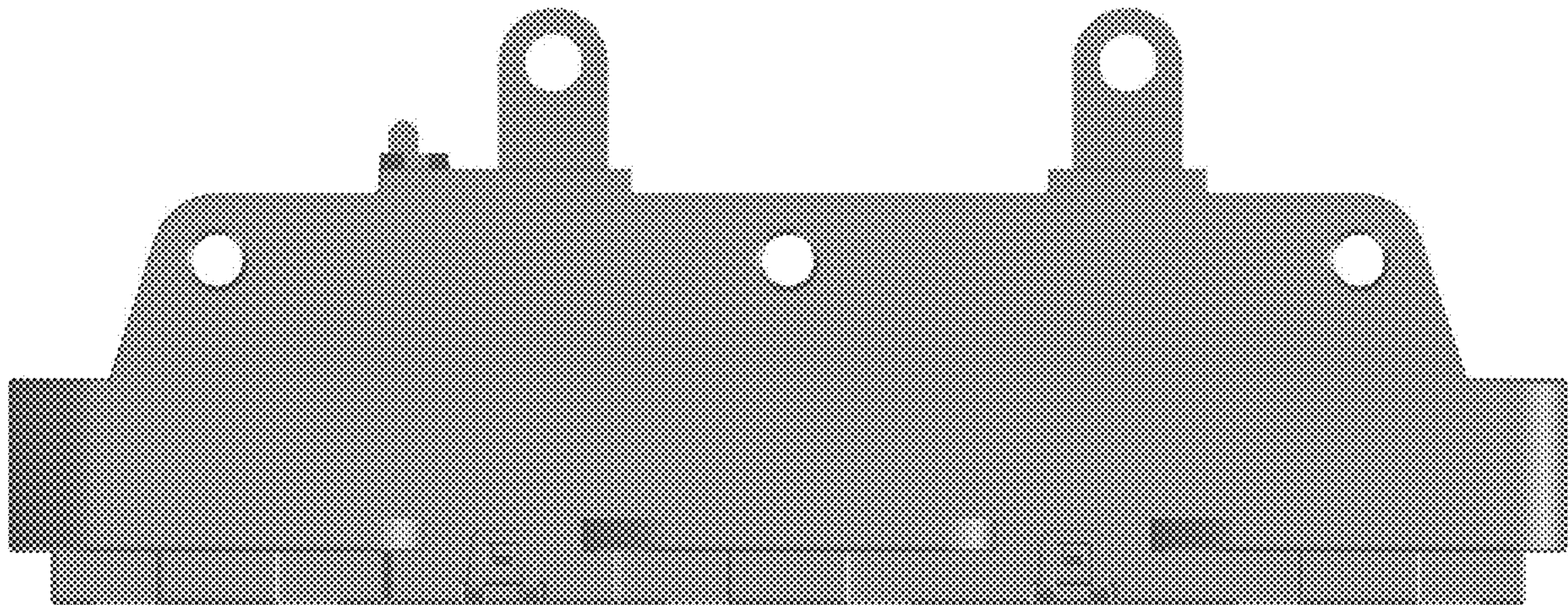
1.4



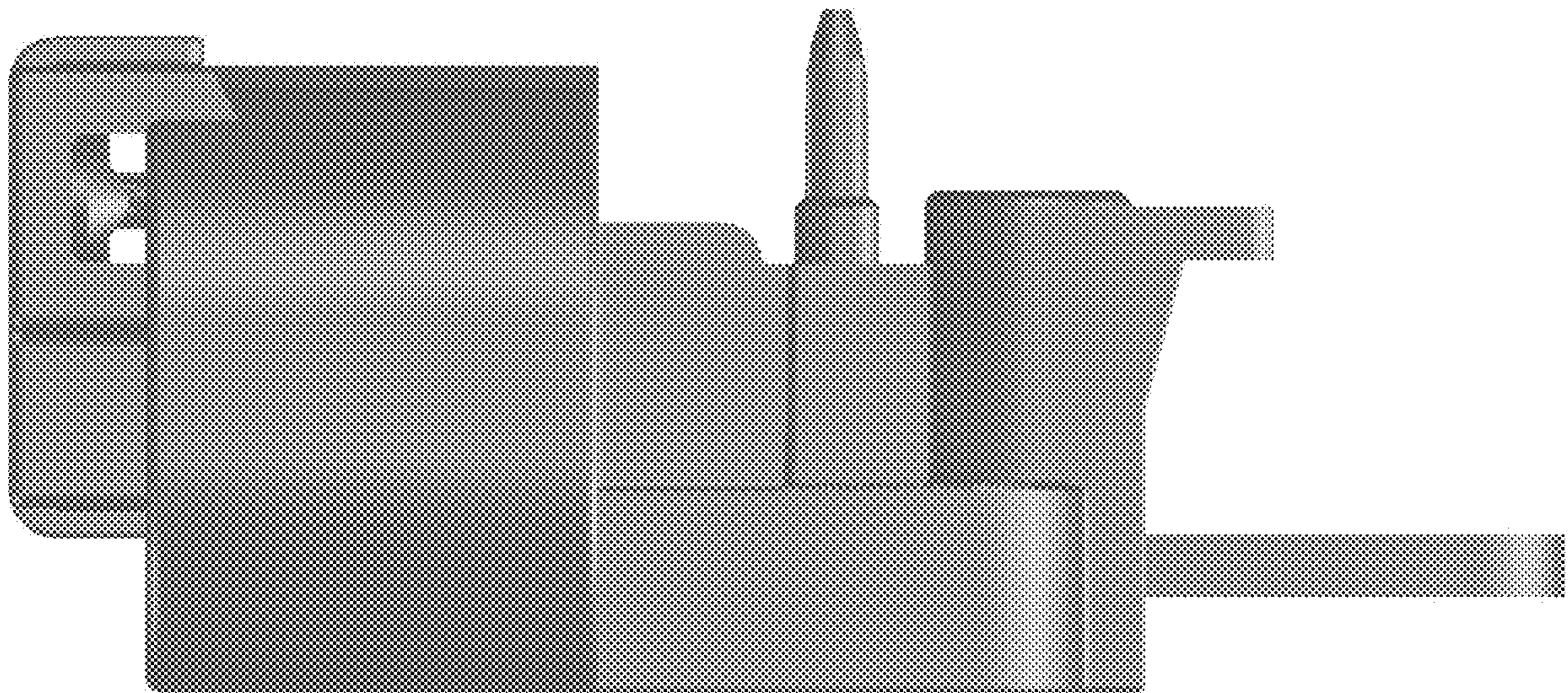
1.5



1.6

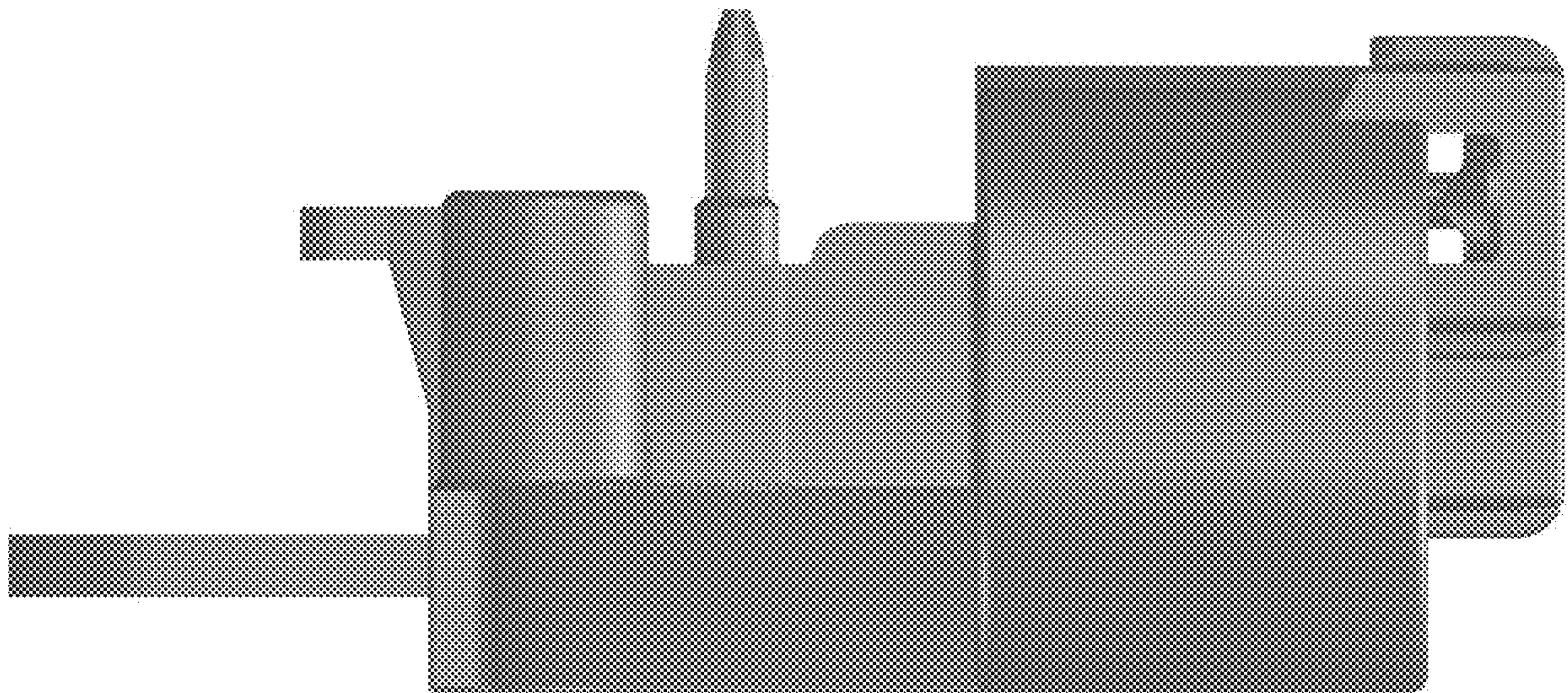


1.7





1.8



UNITED STATES PATENT AND TRADEMARK OFFICE  
**CERTIFICATE OF CORRECTION**

PATENT NO. : D920,247 S  
APPLICATION NO. : 35/508918  
DATED : May 25, 2021  
INVENTOR(S) : Xuyang Liu

Page 1 of 1

It is certified that error appears in the above-identified patent and that said Letters Patent is hereby corrected as shown below:

On the Title Page

(71) Applicant should read: LEM International SA, Plan-Les-Ouates (CH)

(73) Assignee should read: LEM International SA, Plan-Les-Ouates (CH)

Signed and Sealed this  
Twenty-first Day of September, 2021



Drew Hirshfeld  
*Performing the Functions and Duties of the  
Under Secretary of Commerce for Intellectual Property and  
Director of the United States Patent and Trademark Office*