

US00D920245S

(12) **United States Design Patent** (10) **Patent No.:** **US D920,245 S**
Tachibana et al. (45) **Date of Patent:** **** May 25, 2021**

(54) **INVERTER**

(56) **References Cited**

(71) Applicant: **Mitsubishi Electric Corporation,**
Tokyo (JP)

U.S. PATENT DOCUMENTS

(72) Inventors: **Atsuki Tachibana,** Tokyo (JP); **Tetsuo Tanaka,** Tokyo (JP); **Hidenori Suzuki,** Tokyo (JP); **Yoshiki Takahara,** Tokyo (JP); **Atsuhiko Tsuchiya,** Tokyo (JP); **Atsuhiko Suzuki,** Tokyo (JP)

4,620,263	A	10/1986	Ito	
D303,372	S	*	9/1989	Kondo D13/110
D318,845	S	*	8/1991	Plumeret D13/123
5,497,289	A		3/1996	Sugishima et al.
D372,017	S		7/1996	Suematsu et al.
D438,176	S	*	2/2001	Cornu D13/162
D449,817	S	*	10/2001	Takeuchi D13/110
D455,399	S		4/2002	Imamura et al.
D455,714	S	*	4/2002	Kim D13/110
D457,492	S	*	5/2002	Kim D13/110
D494,132	S		8/2004	Song
D502,914	S	*	3/2005	Higuchi D13/110
D502,916	S	*	3/2005	Higuchi D13/110

(73) Assignee: **Mitsubishi Electric Corporation,**
Tokyo (JP)

(**) Term: **15 Years**

(Continued)

(21) Appl. No.: **29/771,592**

Primary Examiner — Derrick E Holland

(22) Filed: **Feb. 24, 2021**

(74) *Attorney, Agent, or Firm* — Studebaker & Brackett
PC

Related U.S. Application Data

(62) Division of application No. 29/722,730, filed on Jan. 31, 2020.

(57) **CLAIM**

The ornamental design for an inverter, as shown and described.

Foreign Application Priority Data

(30) Sep. 9, 2019 (JP) 2019-020082
Sep. 9, 2019 (JP) 2019-020083
Sep. 9, 2019 (JP) 2019-020084

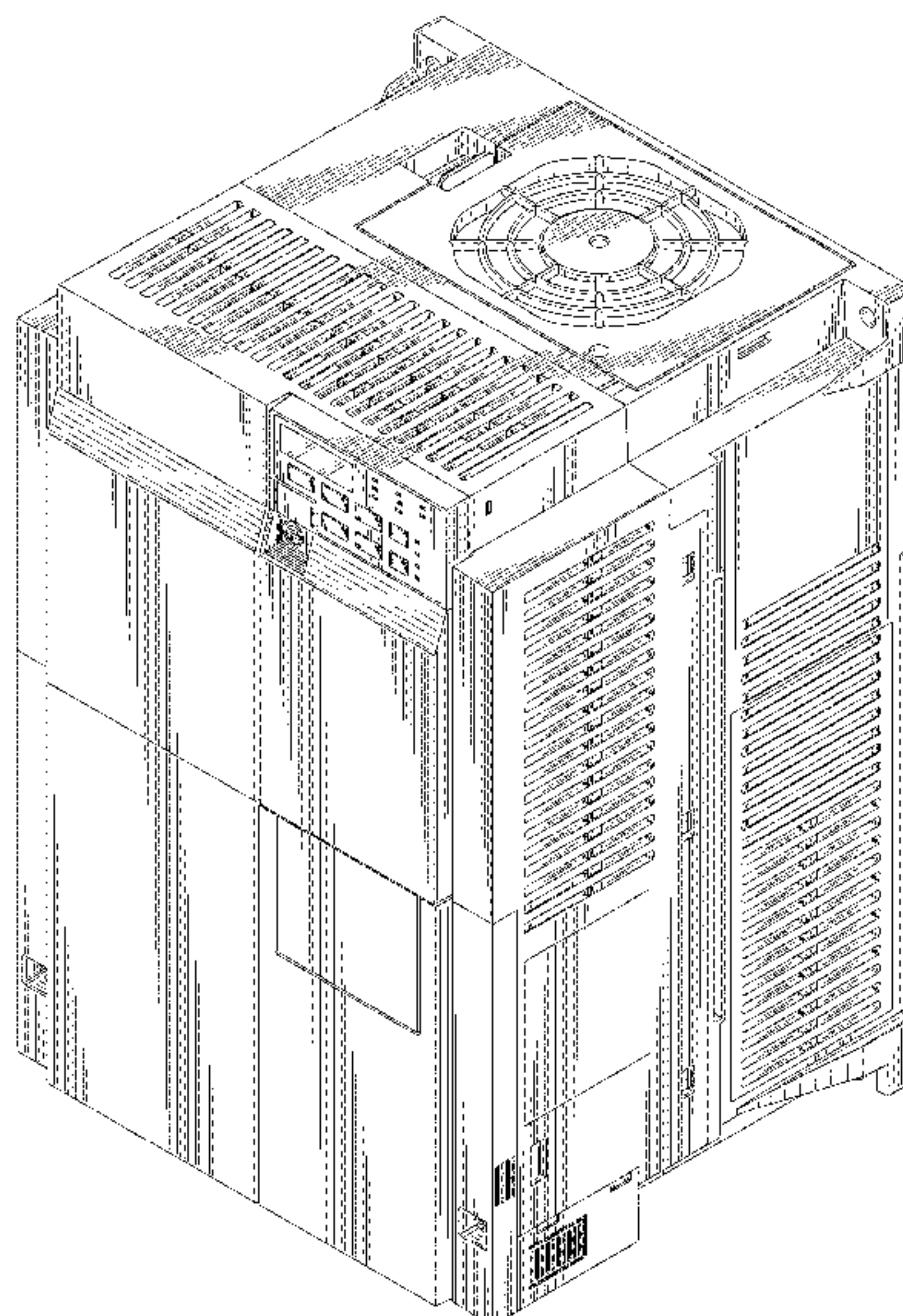
DESCRIPTION

(51) **LOC (13) Cl.** **13-02**
(52) **U.S. Cl.**
USPC **D13/110**

(58) **Field of Classification Search**
USPC D13/110, 101, 123, 158, 162, 164, 184,
D13/199; D15/149
CPC H02M 7/00; H02M 7/02; H02M 7/003;
H05K 5/00; H05K 5/02; H05K 5/03;
H05K 5/0017; H05K 7/00; H05K 7/1427;
H05K 7/20918
See application file for complete search history.

FIG. 1. is a front, right side, and top perspective view of an inverter showing our new design;
FIG. 2. is a rear, left side, and bottom perspective view thereof;
FIG. 3. is a front view thereof;
FIG. 4. is a rear view thereof;
FIG. 5. is a top plan view thereof;
FIG. 6. is a bottom plan view thereof;
FIG. 7. is a right side view thereof;
FIG. 8. is a left side view thereof; and,
FIG. 9. is an enlarged view of a part 9 shown in FIG. 3.
The broken lines shown represent portions of the inverter and form no part of the claimed design.
The dash-dot broken lines represent boundaries of the enlarged parts and form no part of the claimed design.

1 Claim, 9 Drawing Sheets



(56)

References Cited

U.S. PATENT DOCUMENTS

D541,744 S * 5/2007 Virolainen D13/110
D558,141 S 12/2007 Kwon
D569,795 S 5/2008 Higuchi
D675,565 S 2/2013 Choi
D684,533 S 6/2013 Nakahira et al.
D707,176 S 6/2014 Choi
D745,847 S 12/2015 Ho et al.
2010/0247301 A1* 9/2010 Hatozaki H05K 7/20918
415/182.1
2012/0305744 A1* 12/2012 Chen G06F 1/181
248/672
2017/0150654 A1* 5/2017 Kubo H05K 7/20909

* cited by examiner

FIG. 1

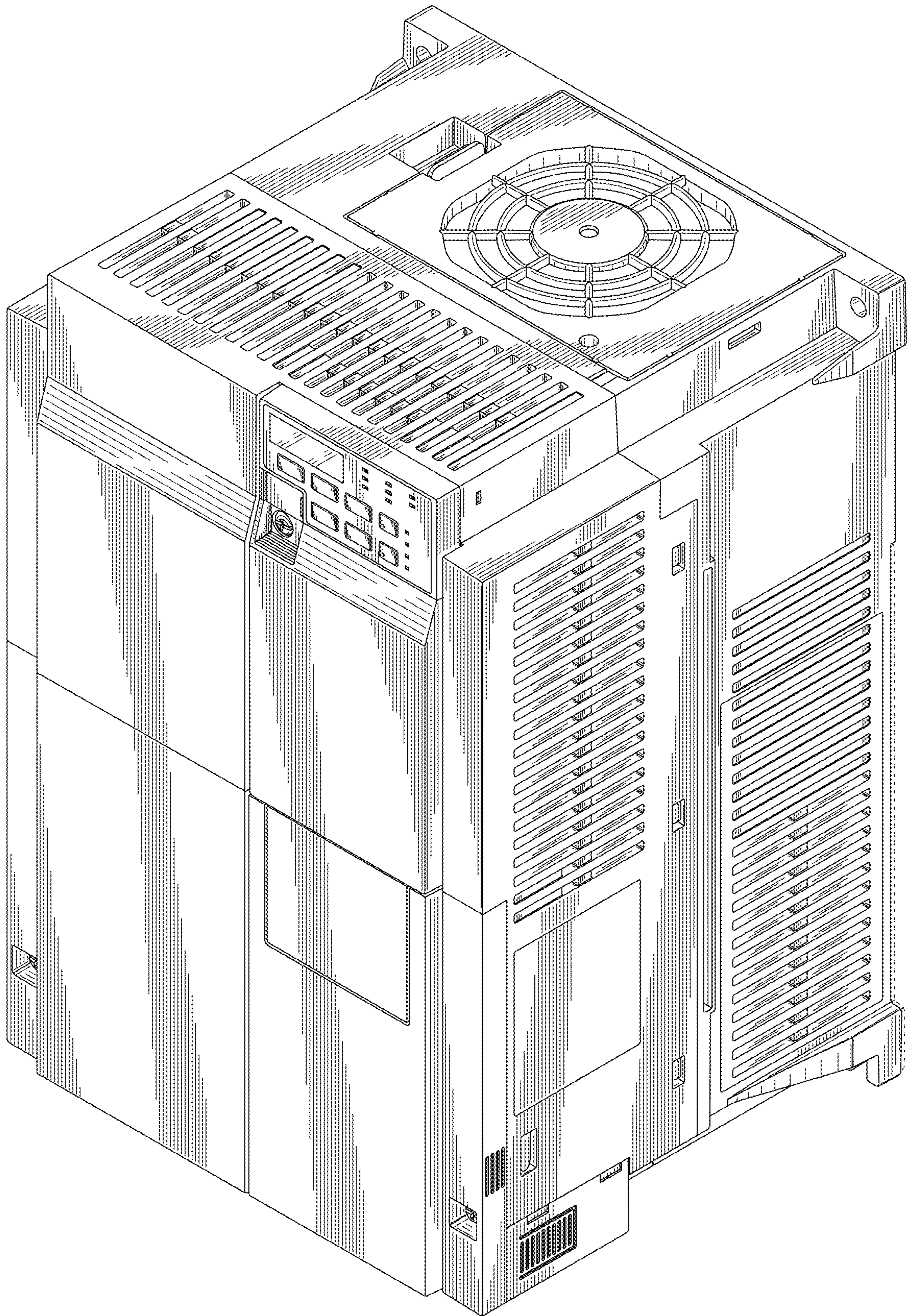


FIG. 2

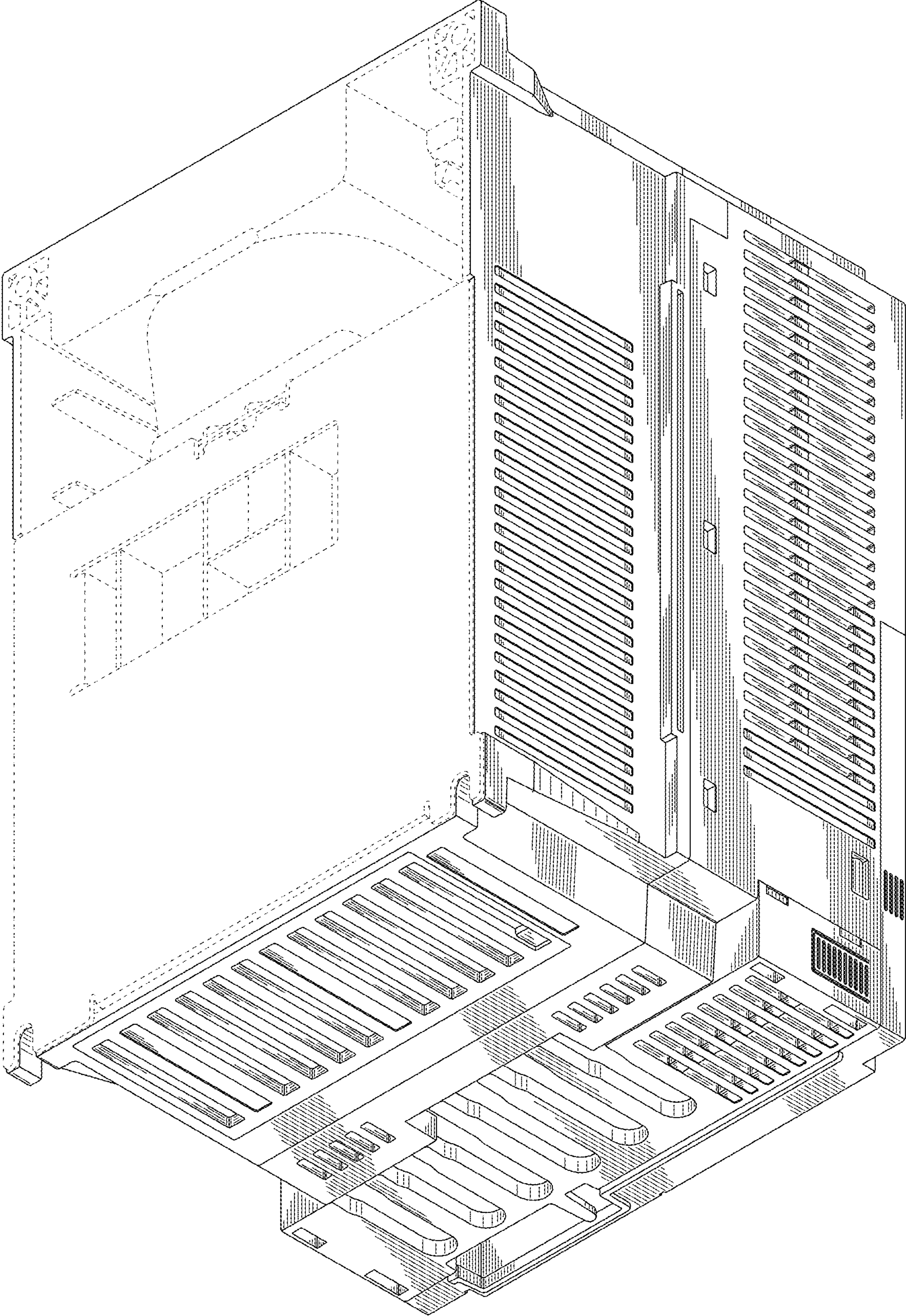


FIG. 3

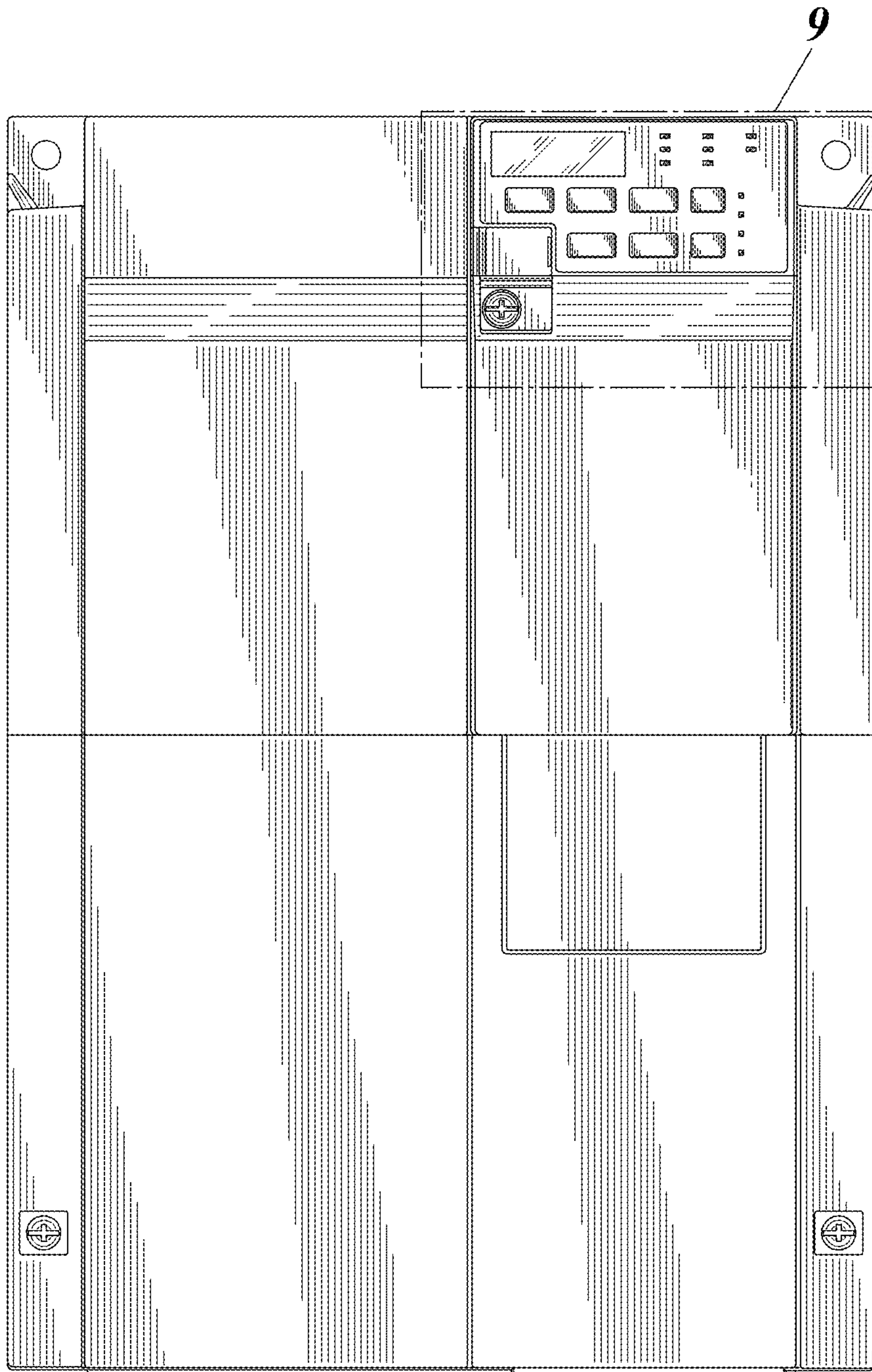


FIG. 4

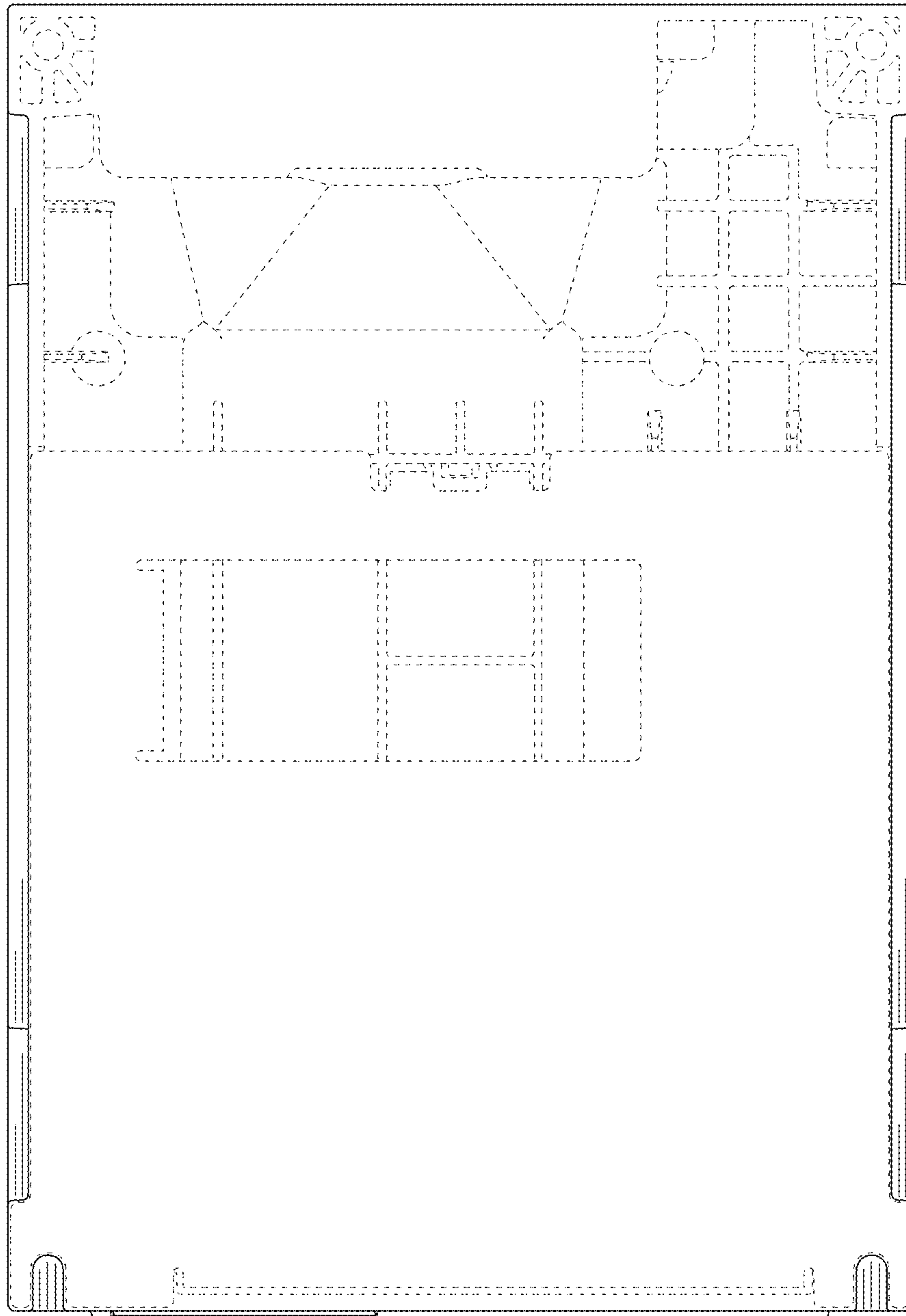


FIG. 5

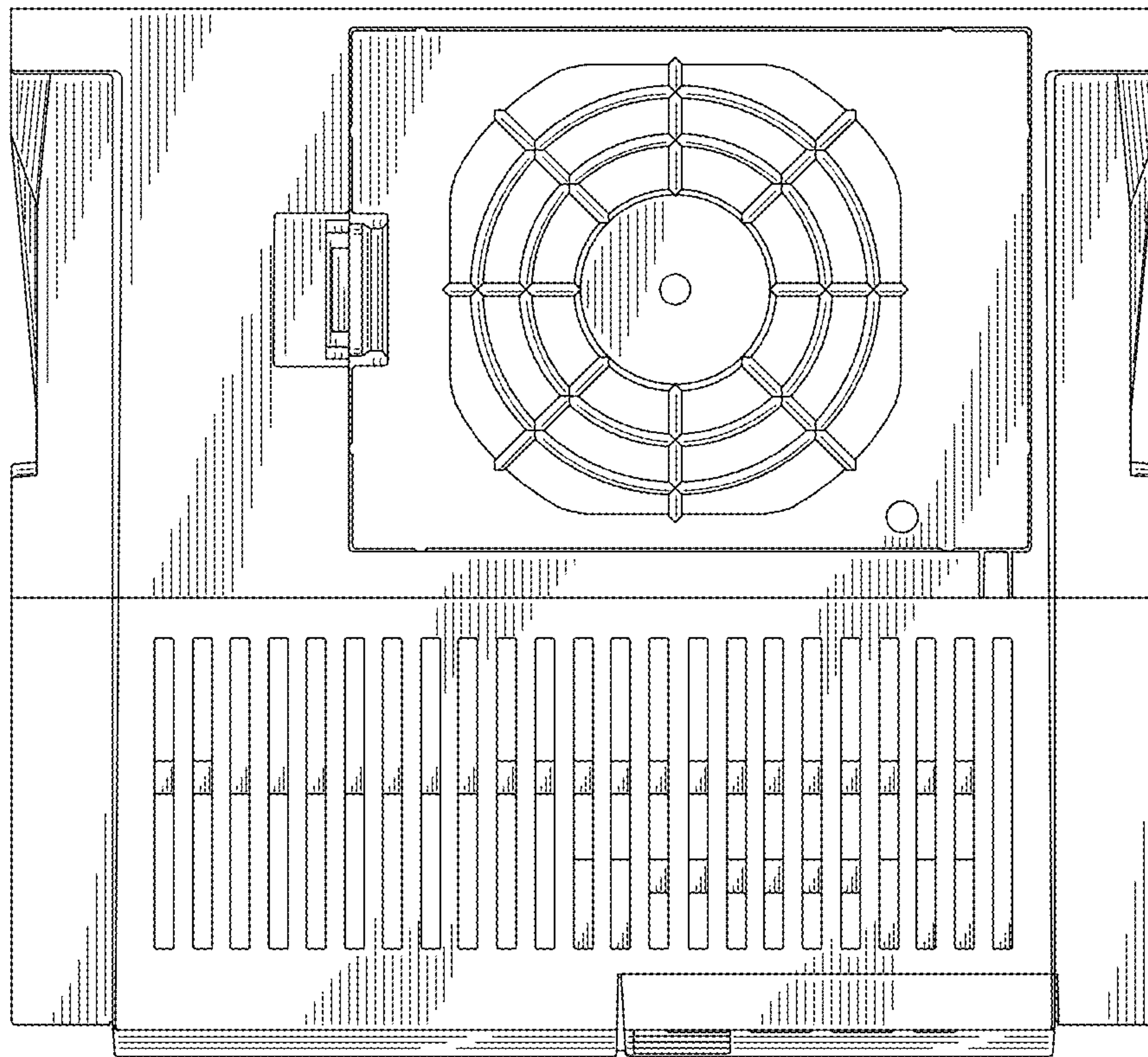


FIG. 6

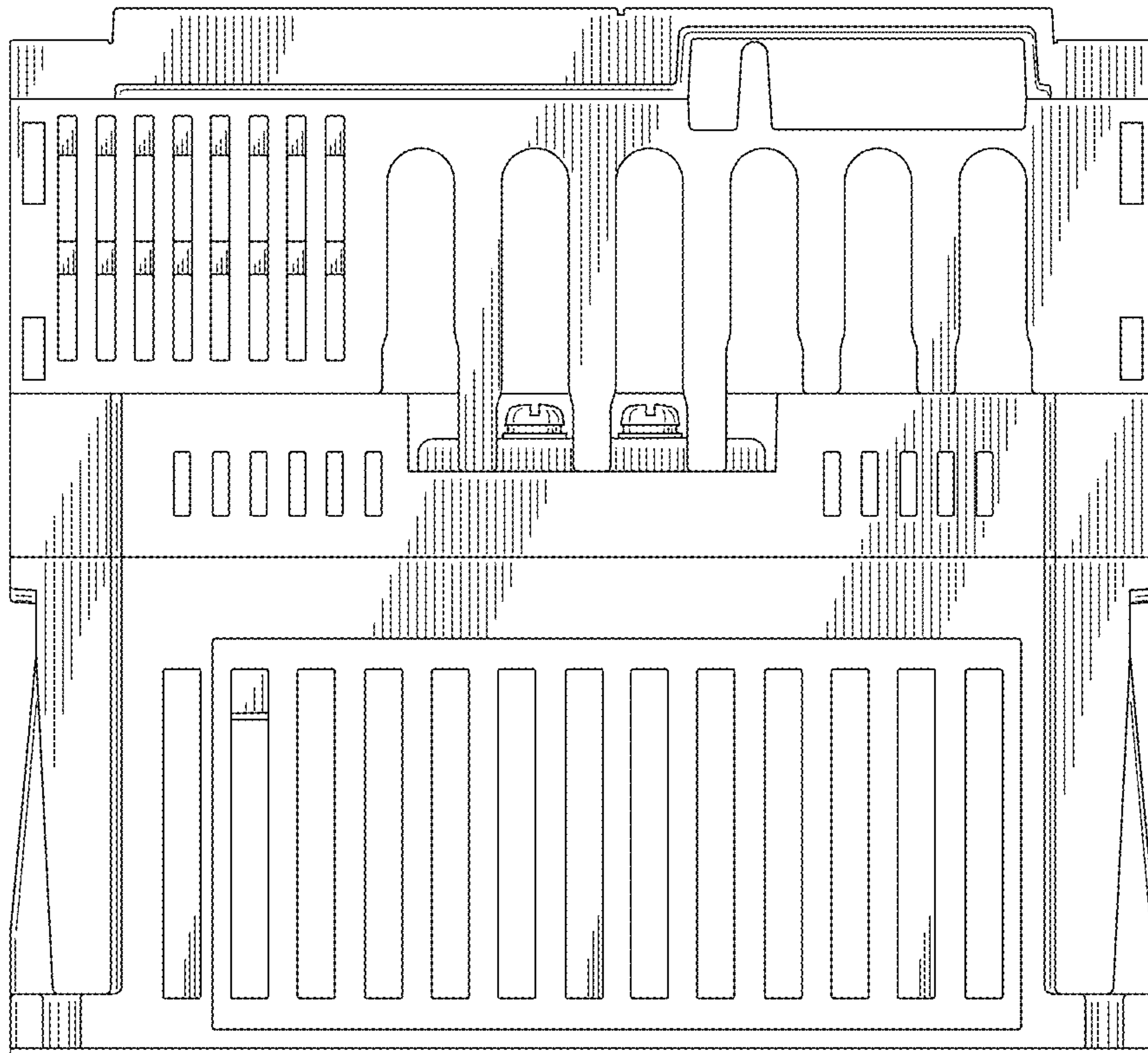


FIG. 7

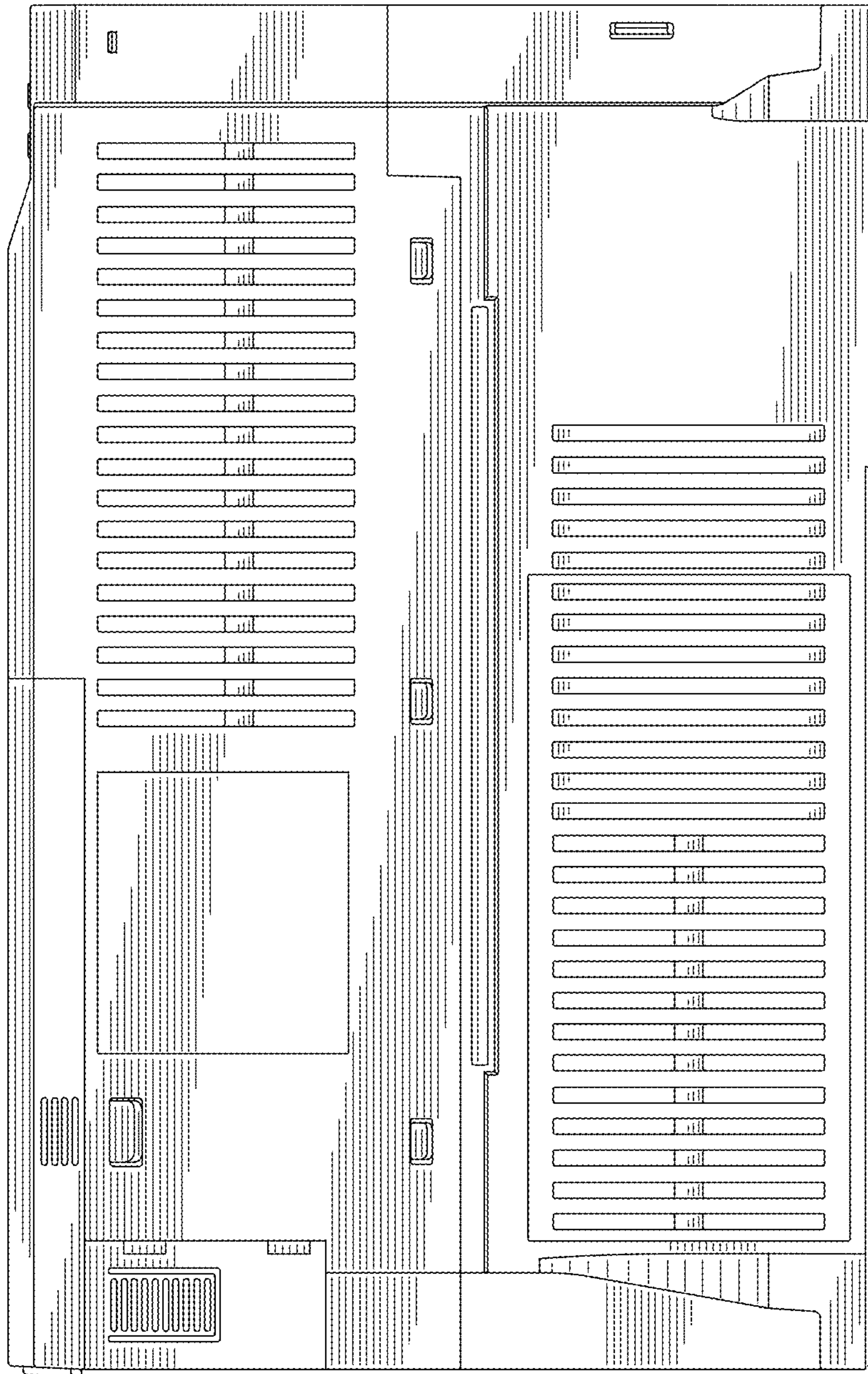


FIG. 8

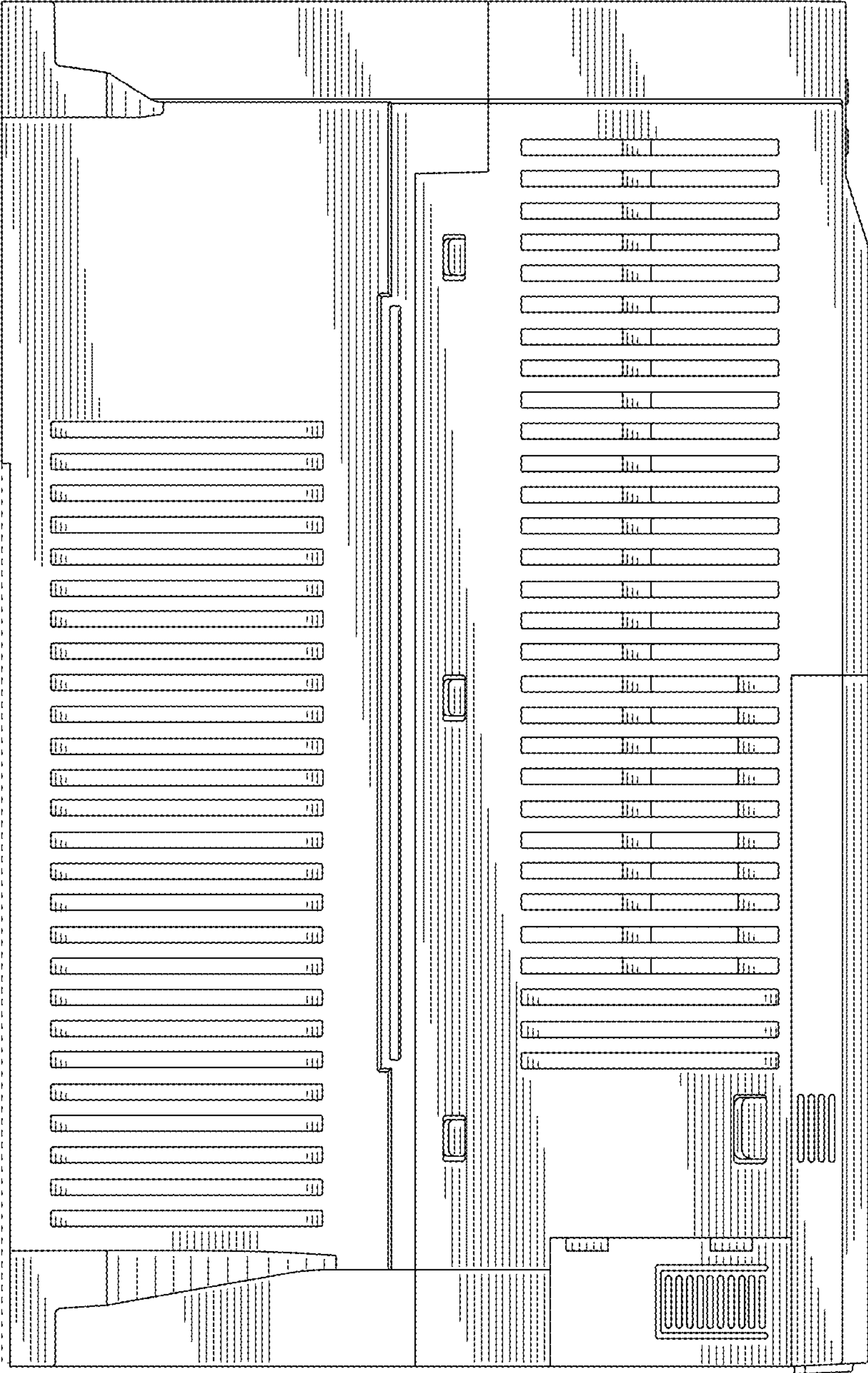


FIG. 9

