



US00D920240S

(12) **United States Design Patent** (10) **Patent No.:** **US D920,240 S**
Xiao et al. (45) **Date of Patent:** **** May 25, 2021**

(54) **CHARGER**
(71) Applicant: **SHENZHEN QIANHAI YIZE ELECTRONIC COMMERCE CO., LTD.**, Shenzhen (CN)
(72) Inventors: **Jia Xiao**, Shenzhen (CN); **Jinhong Wu**, Shenzhen (CN)
(73) Assignee: **SHENZHEN QIANHAI YIZE ELECTRONIC COMMERCE CO., LTD.**, Shenzhen (CN)
(**) Term: **15 Years**

D776,053 S * 1/2017 Barnard D13/108
D788,094 S * 5/2017 Kim D14/253
D788,762 S * 6/2017 Kim D14/253
D789,348 S * 6/2017 Kim D14/253
D816,027 S * 4/2018 Chen D13/108
D851,587 S * 6/2019 Schmidt D13/108
D852,134 S * 6/2019 Mei D13/108
D852,135 S * 6/2019 Mei D13/108
D855,566 S * 8/2019 Chen D13/108
D857,626 S * 8/2019 Zhang D13/108
D884,622 S * 5/2020 Huang D13/108
D886,051 S * 6/2020 Chen D13/108
D886,059 S 6/2020 Hu
D892,046 S * 8/2020 Peng D13/108
D893,422 S * 8/2020 Xiao D13/108
D911,277 S * 2/2021 Shang D13/108

* cited by examiner

(21) Appl. No.: **29/767,382**

(22) Filed: **Jan. 22, 2021**

Primary Examiner — Rosemary K Tarcza

(30) **Foreign Application Priority Data**

Sep. 18, 2020 (EM) 008173140-0002
Sep. 18, 2020 (EM) 008173140-0003

(51) **LOC (13) Cl.** **13-02**

(52) **U.S. Cl.**
USPC **D13/108**

(58) **Field of Classification Search**
USPC D13/103, 107–110, 118–119, 184, 199;
D14/251, 253, 432, 434
CPC .. H02J 50/00; H02J 50/10; H02J 50/12; H02J
50/80; H02J 7/025; H02J 7/005; H02J
7/0026; H02J 7/0042; H02J 7/0044; H02J
7/0045; H02J 7/0013; H02J 7/0003; H02J
50/40; H02J 50/402; H02J 7/007; H02J
7/0027

See application file for complete search history.

(56) **References Cited**

U.S. PATENT DOCUMENTS

D559,484 S * 1/2008 Fjellman D13/108
D762,650 S * 8/2016 Dang D14/434

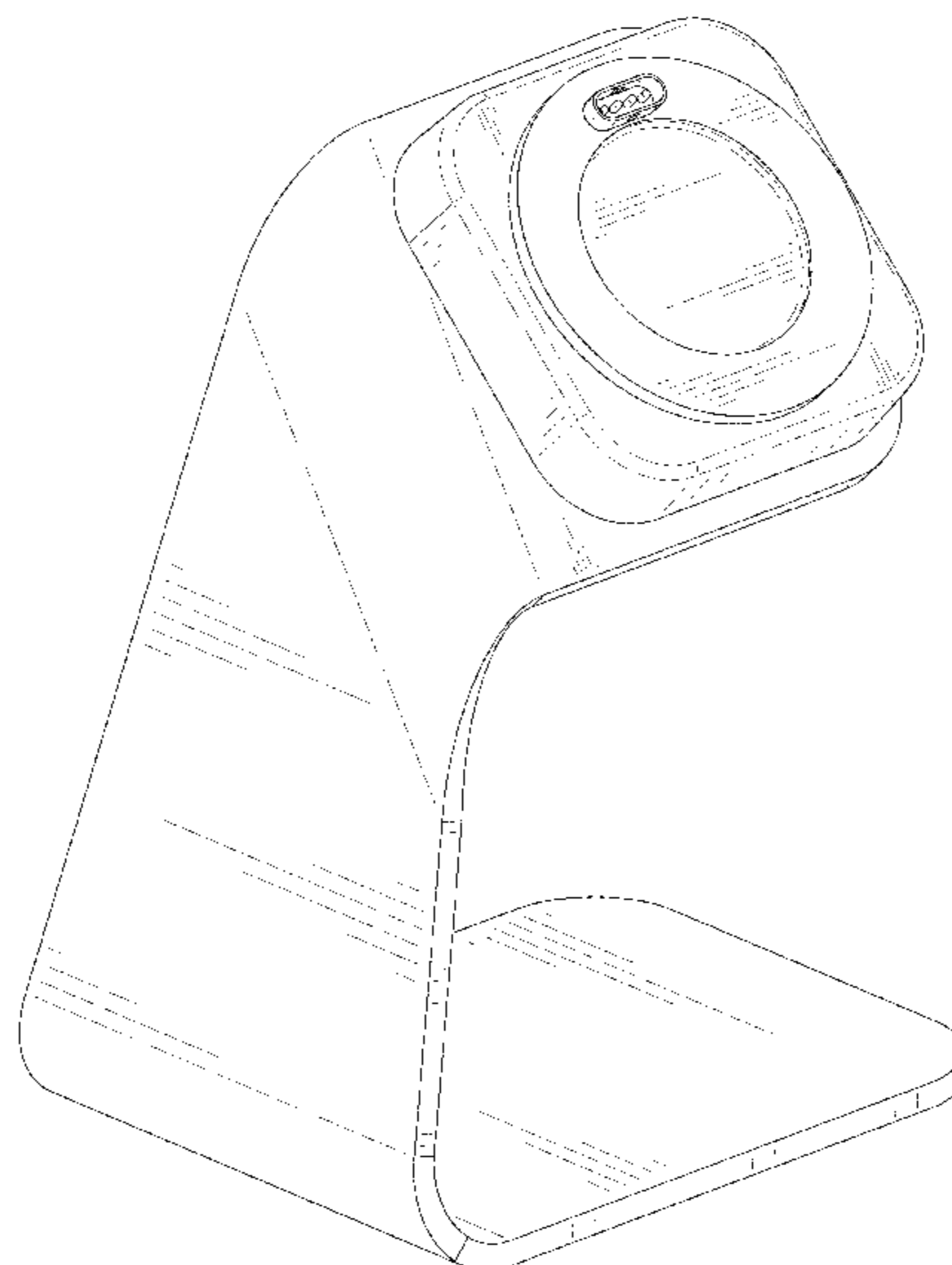
(57) **CLAIM**

The ornamental design for a charger, as shown and described.

DESCRIPTION

FIG. 1 is a perspective view of a charger showing my new design;
FIG. 2 is another perspective view thereof;
FIG. 3 is a front elevational view thereof;
FIG. 4 is a rear elevational view thereof;
FIG. 5 is a left side elevational view thereof;
FIG. 6 is a right side elevational view thereof;
FIG. 7 is a top plan view thereof; and,
FIG. 8 is a bottom plan view thereof.
The broken lines in the drawings depict boundaries and portions of the charger that form no part of the claimed design.

1 Claim, 8 Drawing Sheets



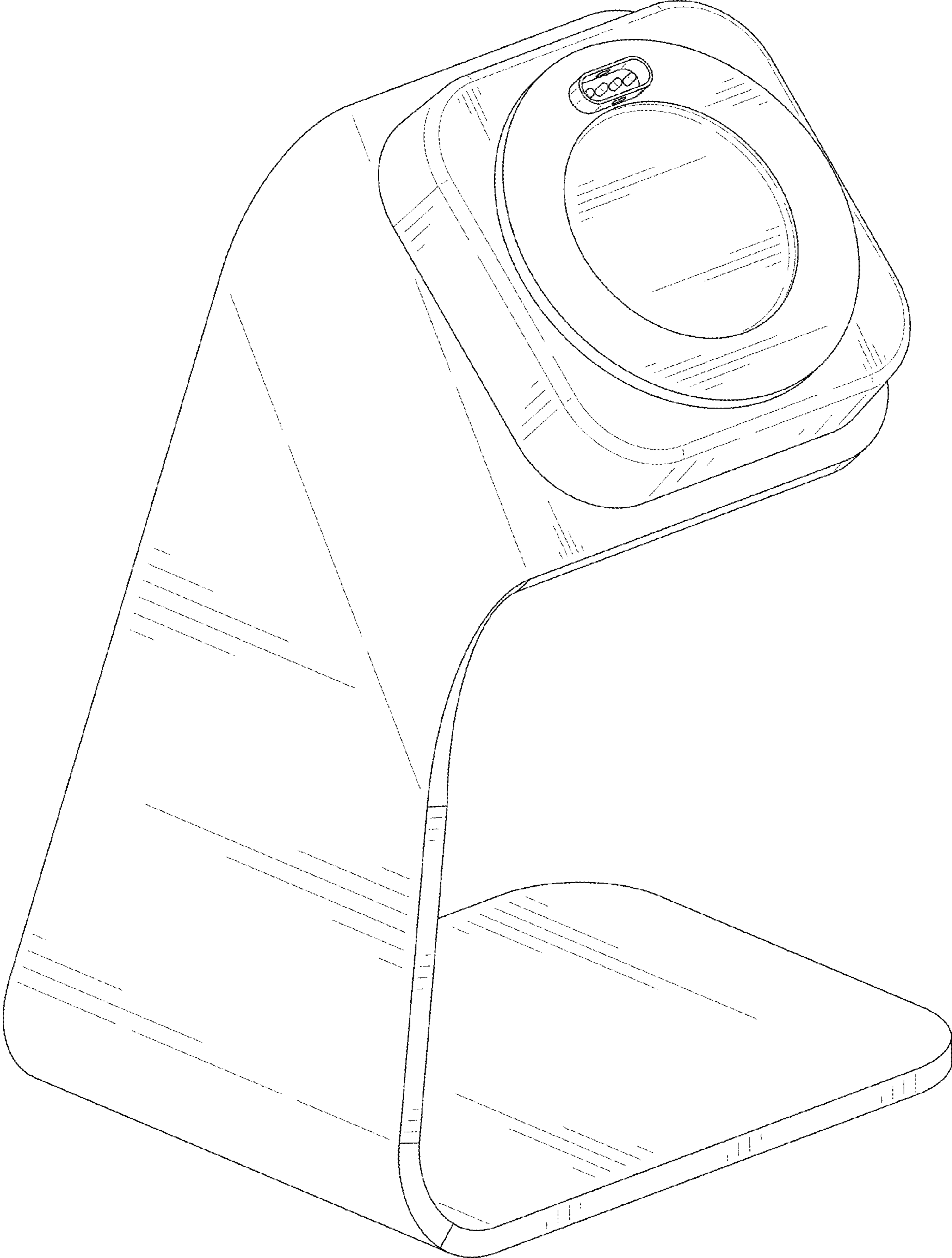


FIG. 1

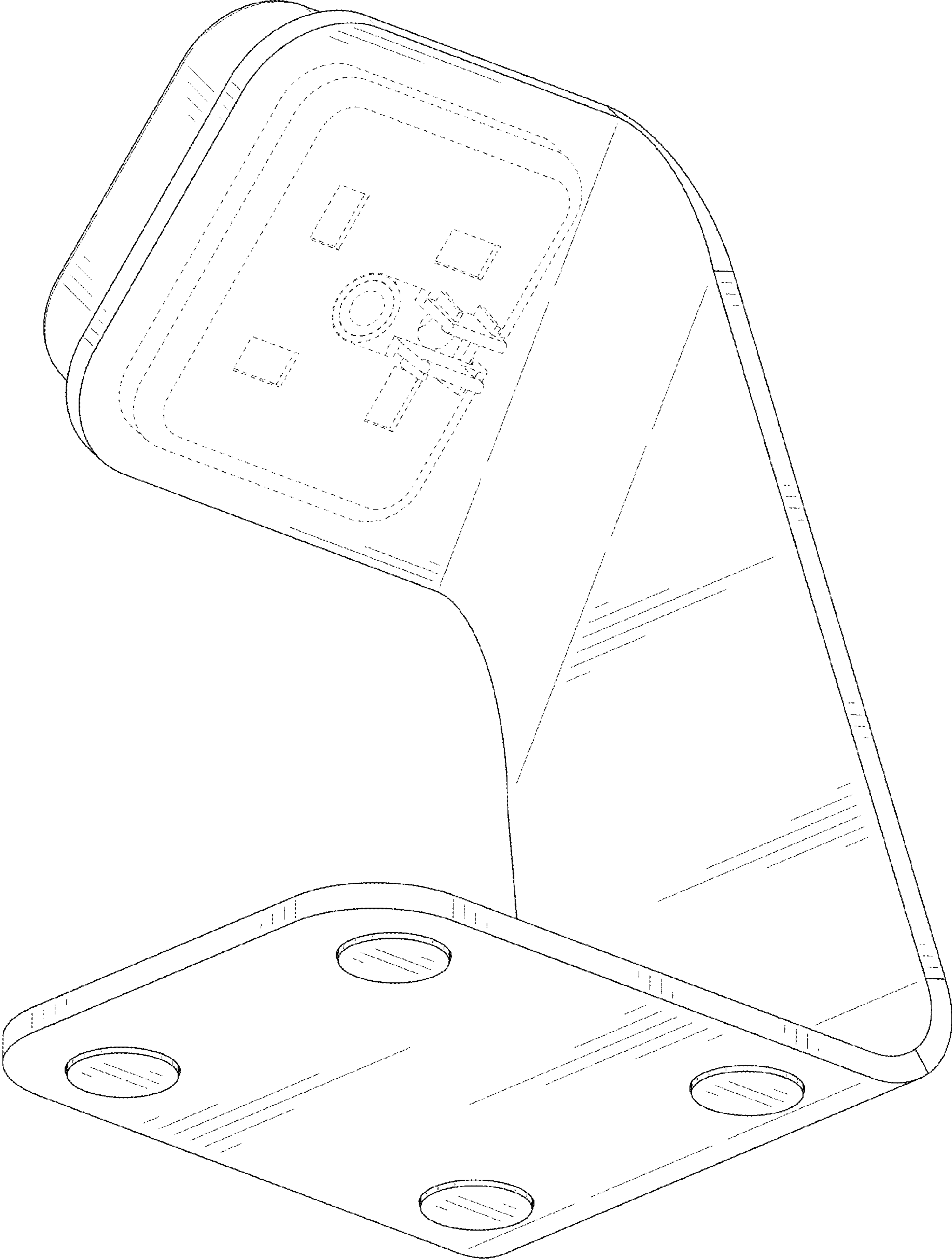


FIG. 2

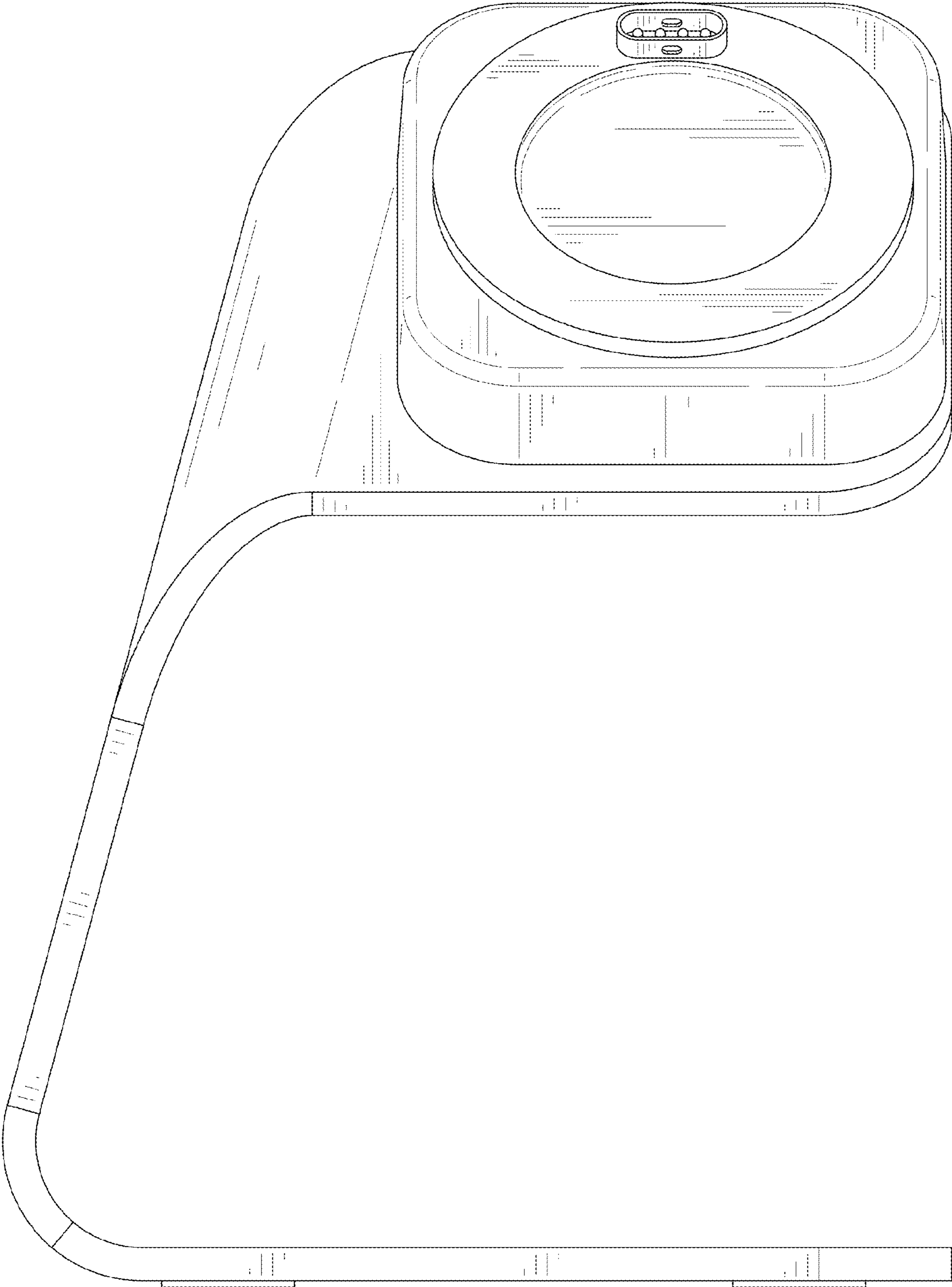


FIG. 3

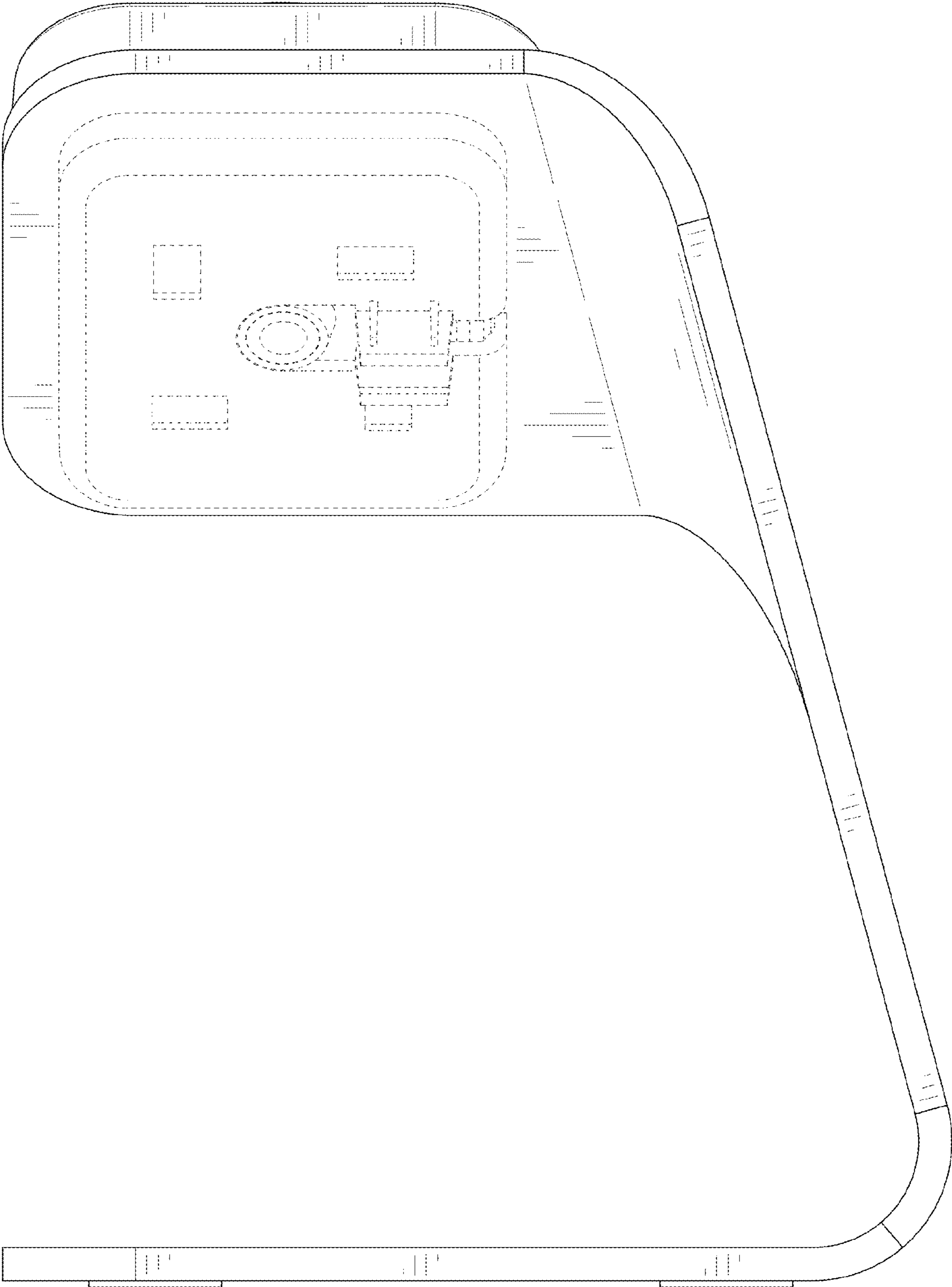


FIG. 4

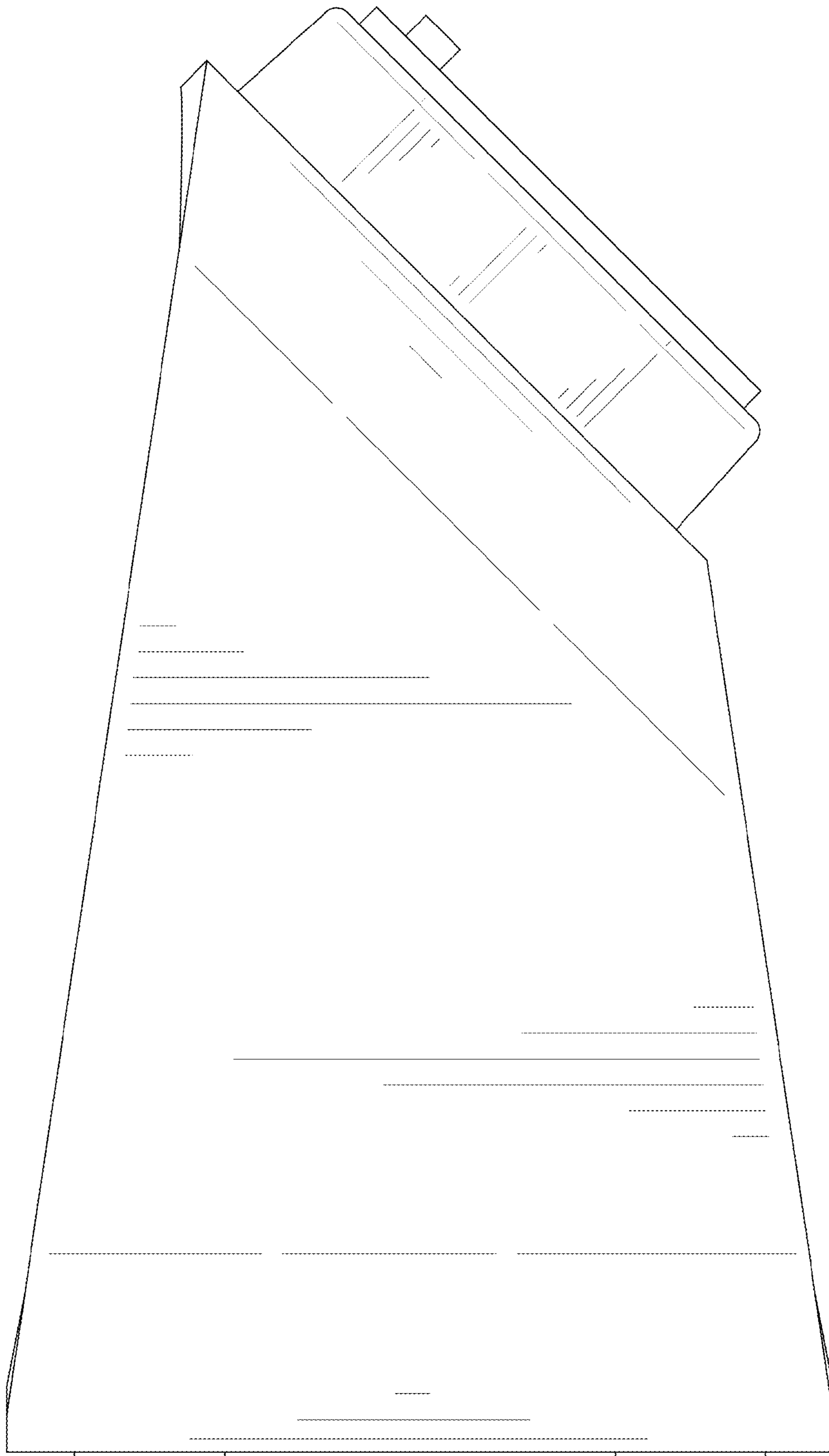


FIG. 5

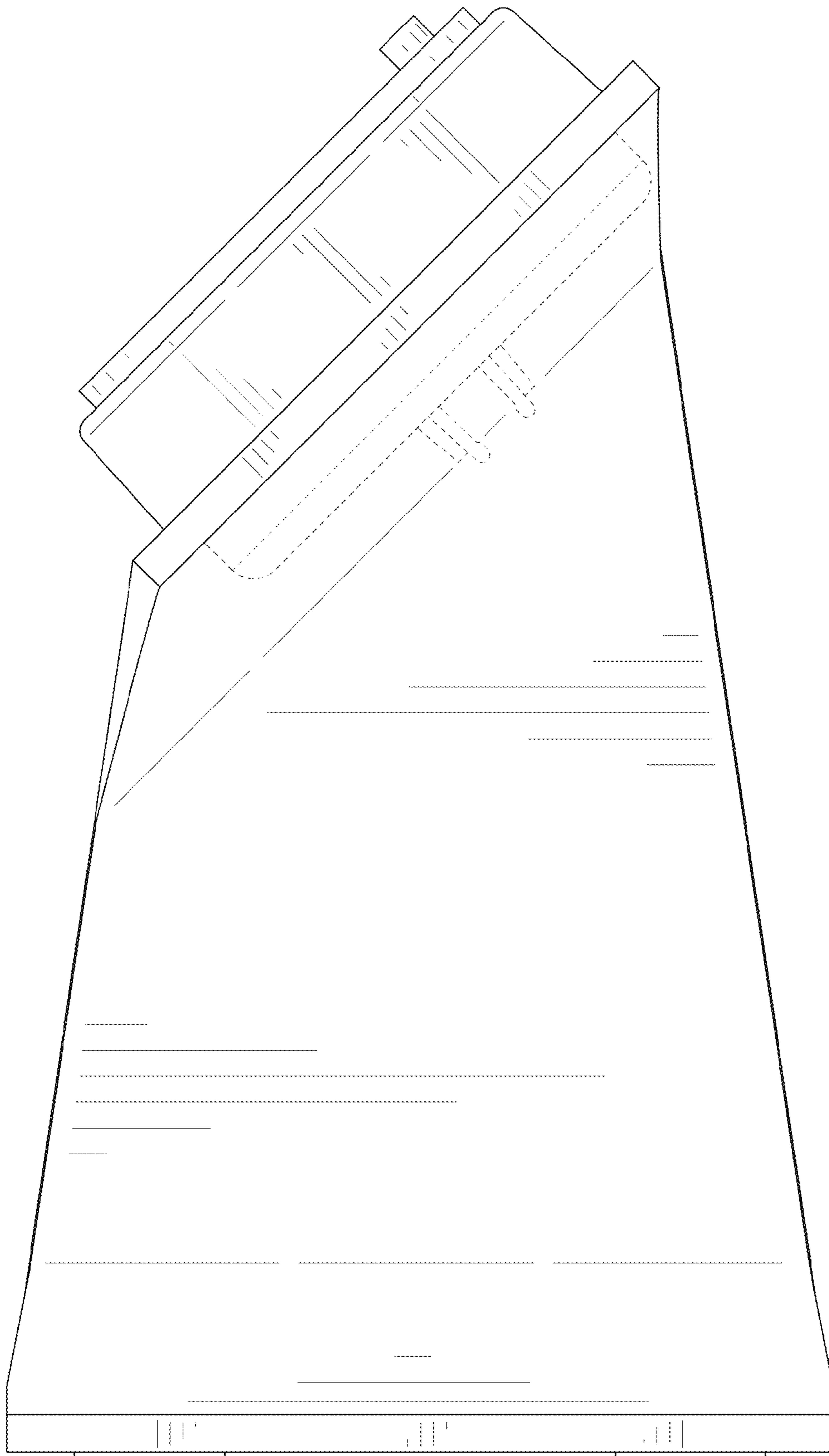


FIG. 6

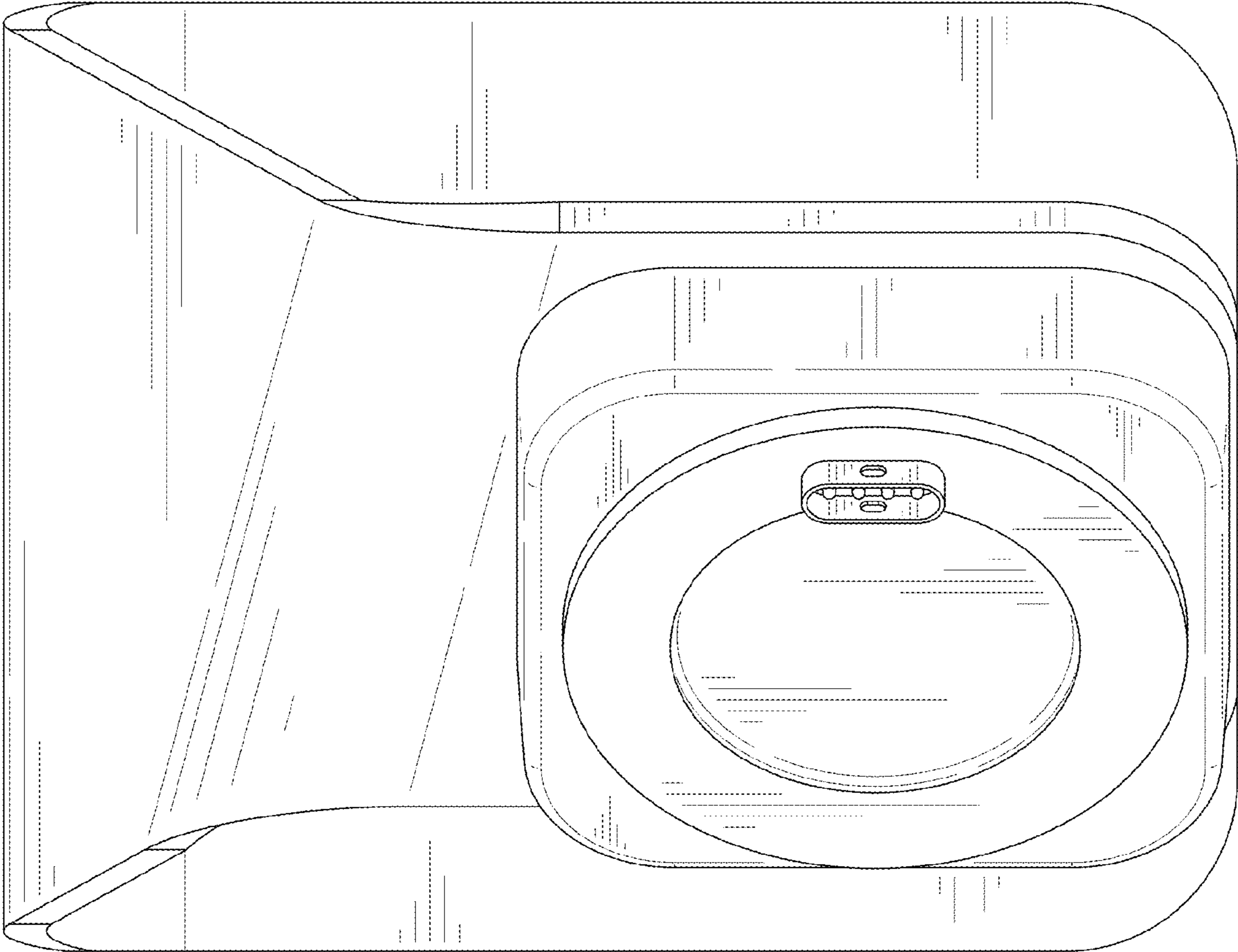


FIG. 7

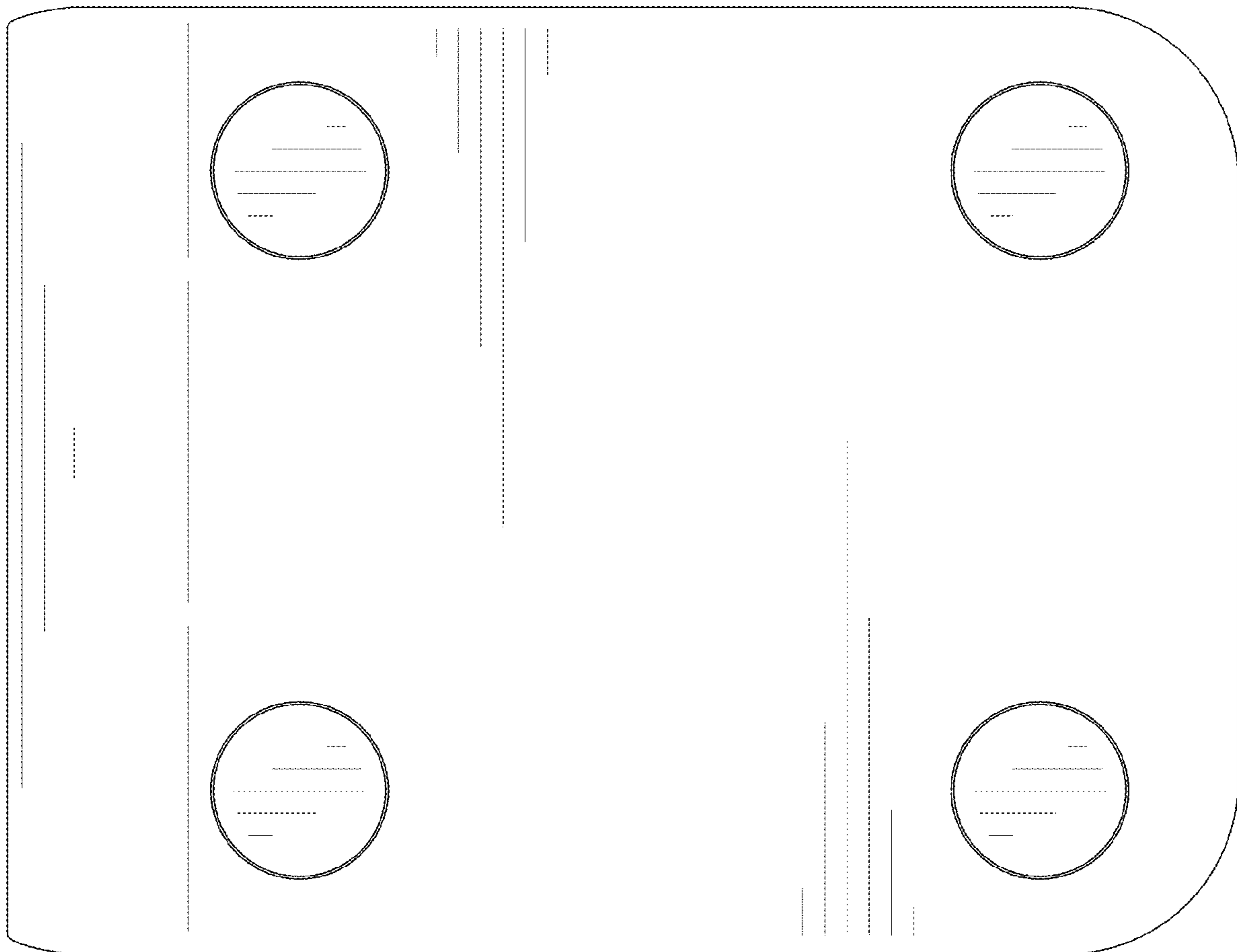


FIG. 8