



US00D920239S

(12) **United States Design Patent**  
**Cheng**

(10) **Patent No.:** **US D920,239 S**

(45) **Date of Patent:** **\*\* May 25, 2021**

(54) **WIRELESS CHARGER**

(71) Applicant: **HK SHUNWEI INTERNATIONAL TRADING LIMITED**, Hong Kong (CN)

(72) Inventor: **Jihang Cheng**, Hong Kong (CN)

(73) Assignee: **HK SHUNWEI INTERNATIONAL TRADING LIMITED**, Hong Kong (CN)

(\*\*) Term: **15 Years**

(21) Appl. No.: **29/762,517**

(22) Filed: **Dec. 17, 2020**

(51) **LOC (13) Cl.** ..... **13-02**

(52) **U.S. Cl.**  
USPC ..... **D13/108**

(58) **Field of Classification Search**  
USPC ..... D13/103, 107–110, 118–119, 184, 199;  
D14/251, 253, 432, 434  
CPC .. H02J 50/00; H02J 50/10; H02J 50/12; H02J 50/80; H02J 7/025; H02J 7/005; H02J 7/0026; H02J 7/0042; H02J 7/0044; H02J 7/0045; H02J 7/0013; H02J 7/0003; H02J 50/40; H02J 50/402

See application file for complete search history.

(56) **References Cited**

**U.S. PATENT DOCUMENTS**

D813,805 S *	3/2018	Zhong	.....	D13/108
D814,413 S *	4/2018	Zhong	.....	D13/108
D826,851 S *	8/2018	Wang	.....	D13/108
D840,997 S *	2/2019	Chen	.....	D14/253

D845,896 S	4/2019	Hu	
D852,134 S *	6/2019	Mei	..... D13/108
D852,135 S *	6/2019	Mei	..... D13/108
D855,566 S *	8/2019	Chen	..... D13/108
D859,308 S	9/2019	Connell et al.	
D868,691 S	12/2019	Sun	
D873,216 S *	1/2020	Zhang	..... D13/108
D875,043 S *	2/2020	Yi	..... D13/108
D877,072 S *	3/2020	Yin	..... D13/108
D879,035 S *	3/2020	Li	..... D13/108
D881,123 S *	4/2020	Zhang	..... D13/108
D884,621 S *	5/2020	Feng	..... D13/108
D886,056 S *	6/2020	Zhang	..... D13/108
D911,277 S *	2/2021	Shang	..... D13/108
D915,277 *	4/2021	Peng	..... D13/108

\* cited by examiner

*Primary Examiner* — Rosemary K Tarcza

(57) **CLAIM**

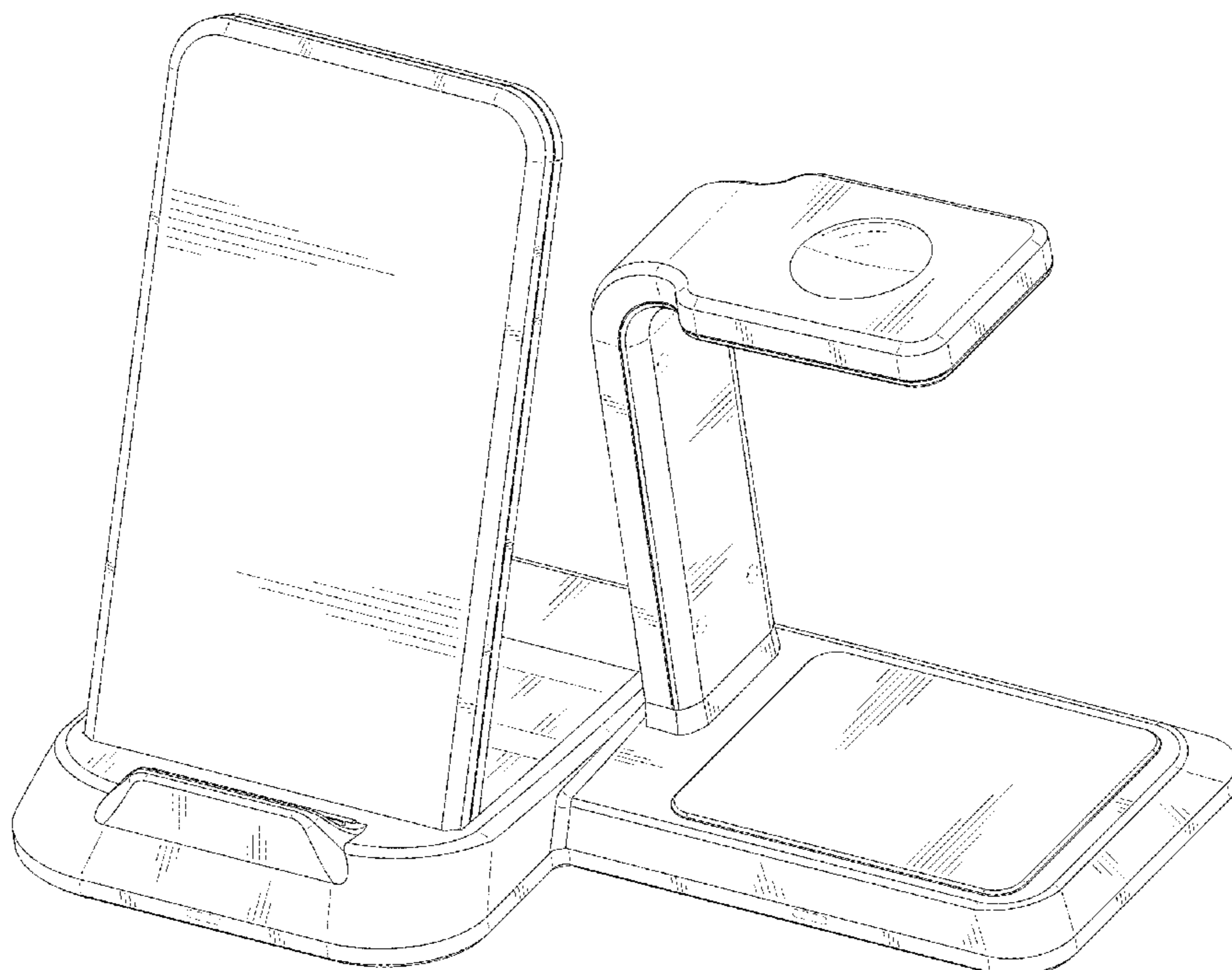
The ornamental design for a wireless charger, as shown and described.

**DESCRIPTION**

FIG. 1 is a perspective view of a wireless charger showing my new design;  
FIG. 2 is another perspective view thereof;  
FIG. 3 is another perspective view thereof;  
FIG. 4 is a front elevational view thereof;  
FIG. 5 is a rear elevational view thereof;  
FIG. 6 is a left side elevational view thereof;  
FIG. 7 is a right side elevational view thereof;  
FIG. 8 is a top plan view thereof; and,  
FIG. 9 is a bottom plan view thereof.

The broken lines in the drawings depict portions of the wireless charger that form no part of the claimed design.

**1 Claim, 9 Drawing Sheets**



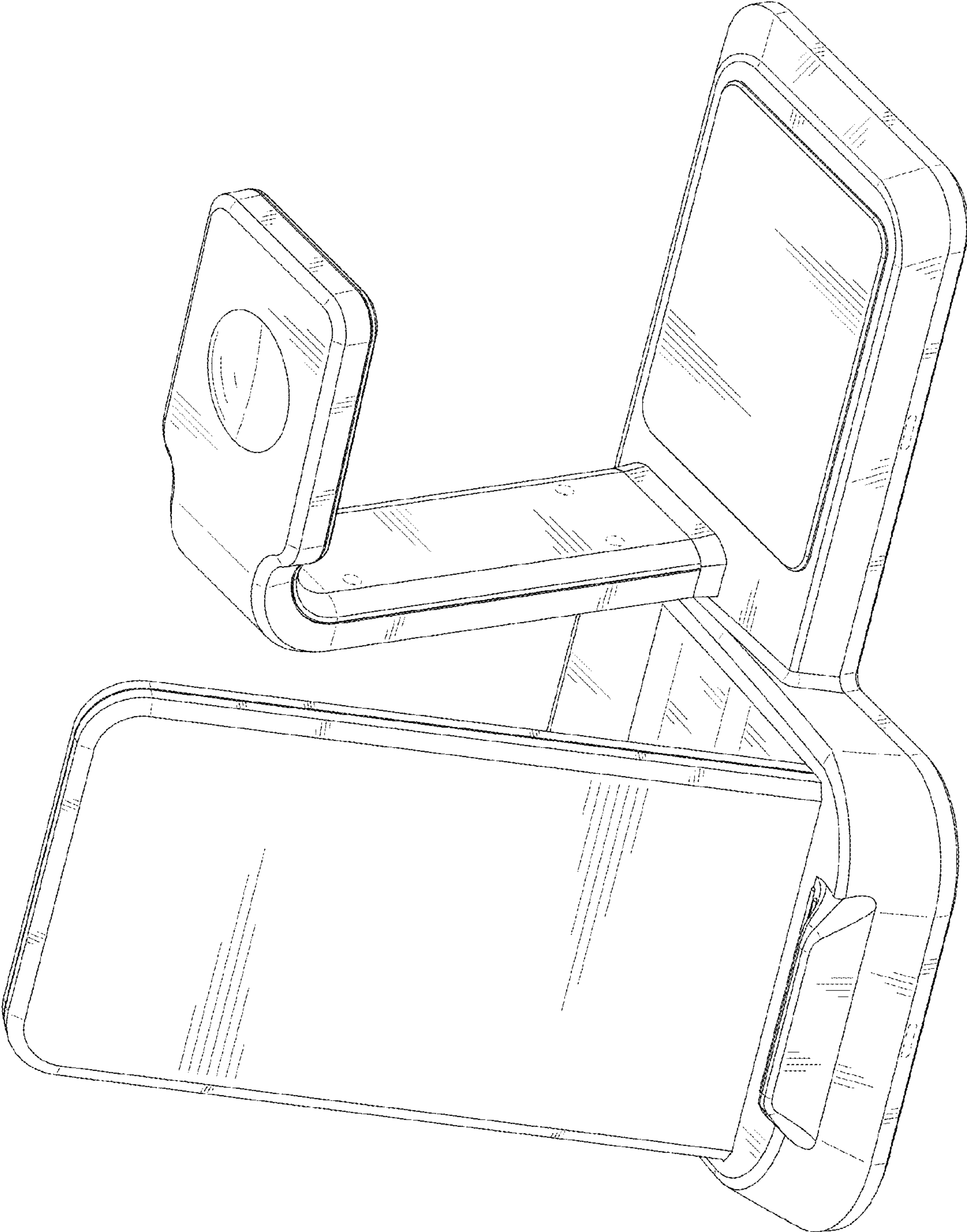


FIG. 1

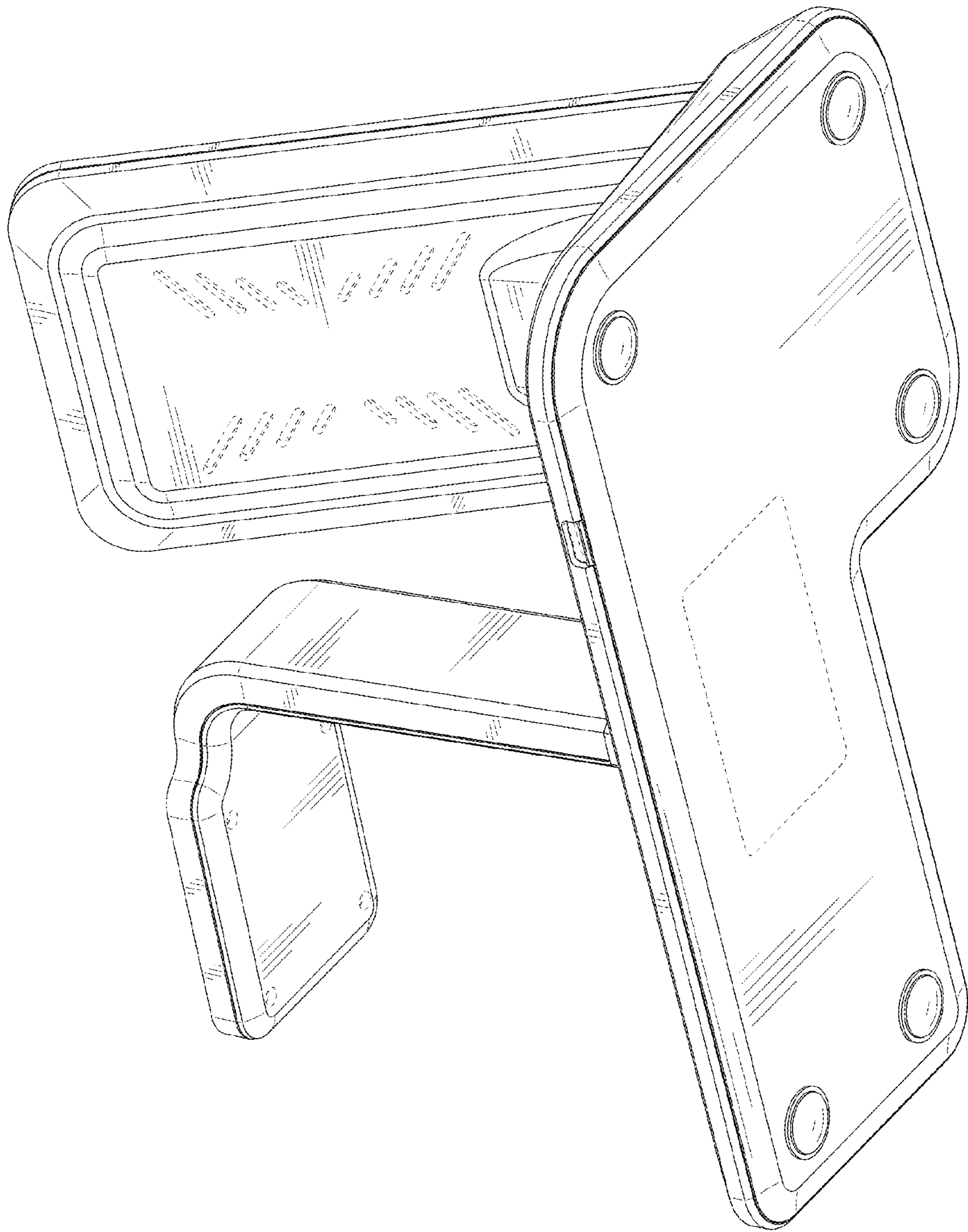


FIG. 2

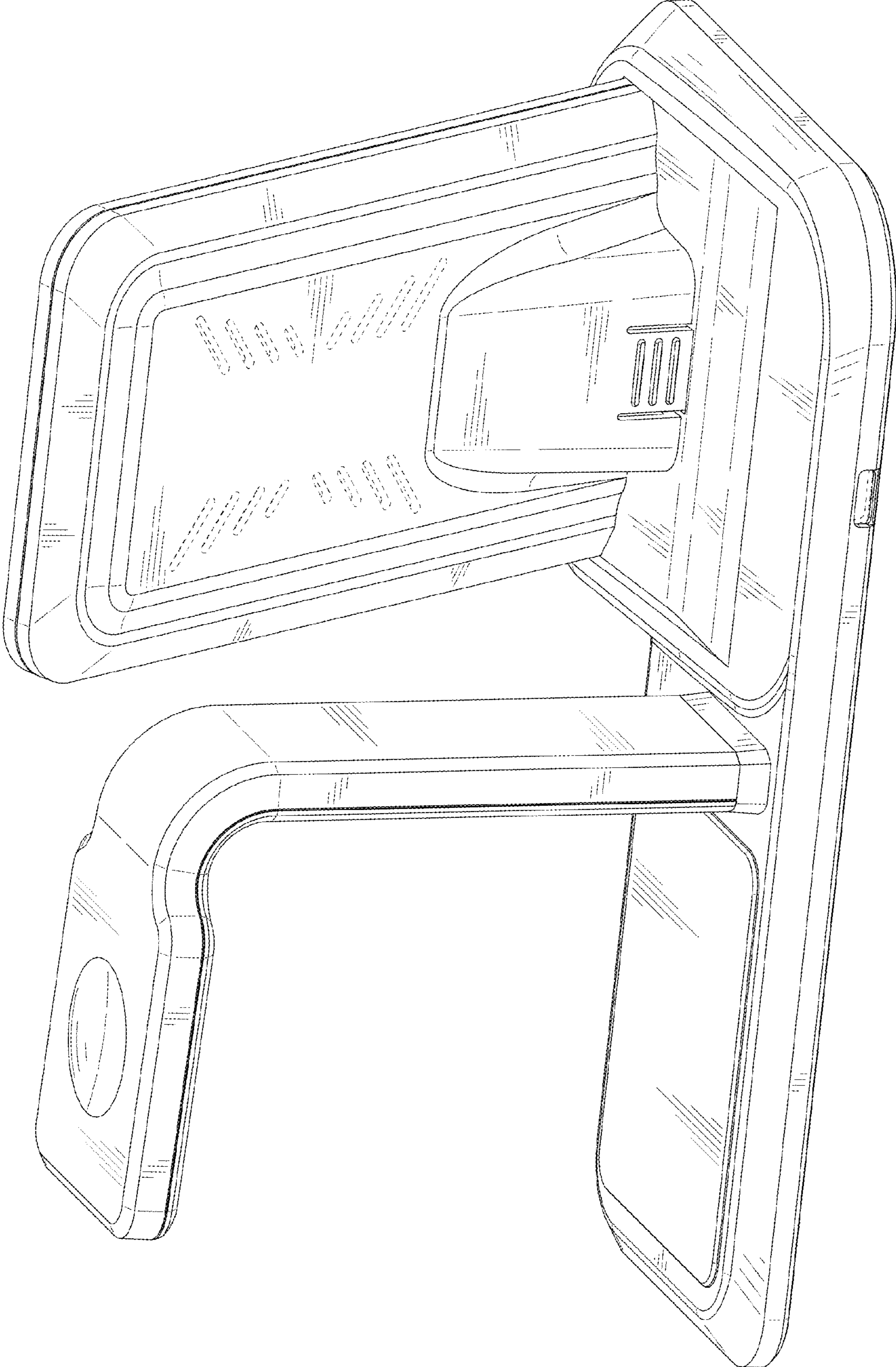


FIG. 3

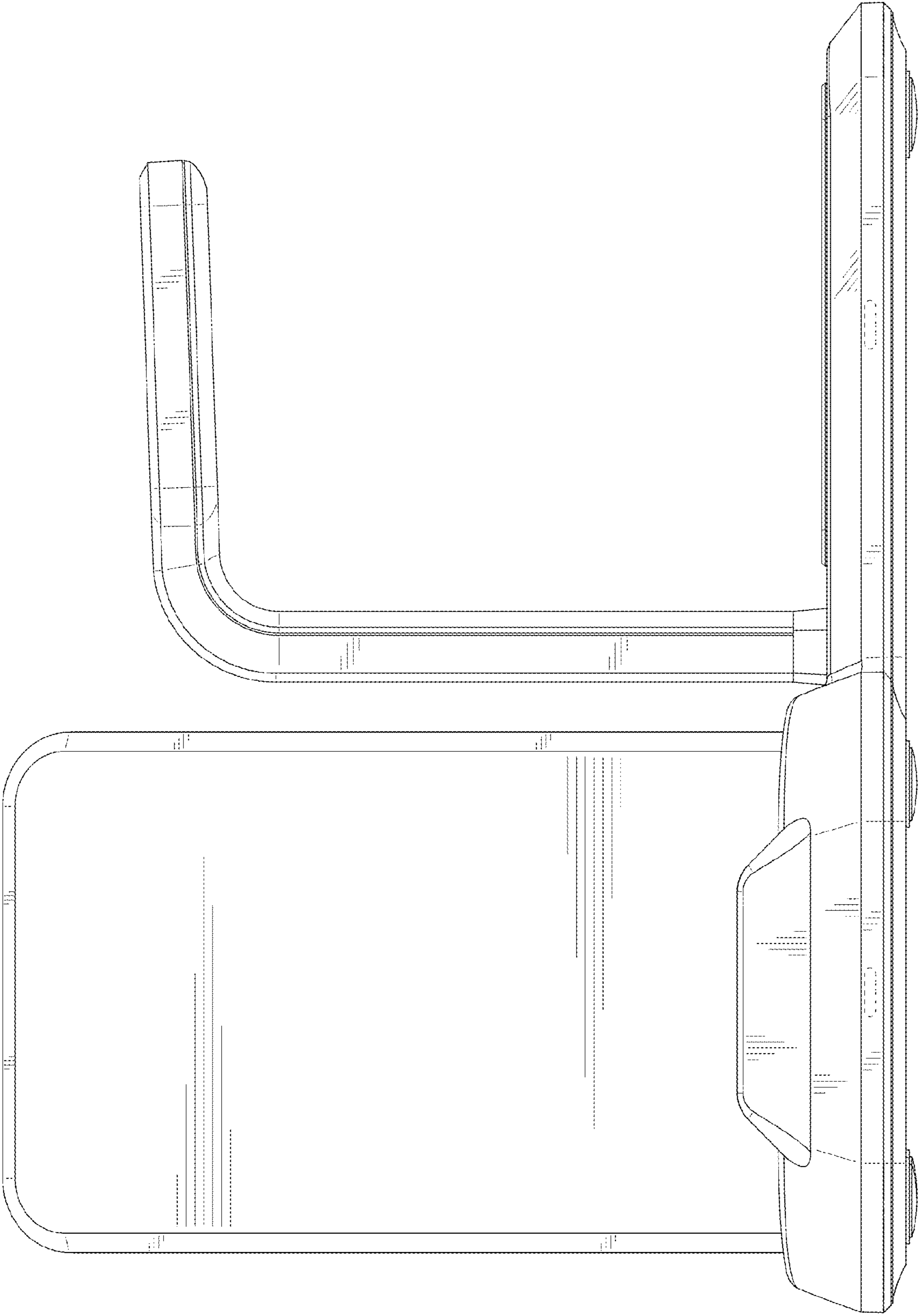


FIG. 4

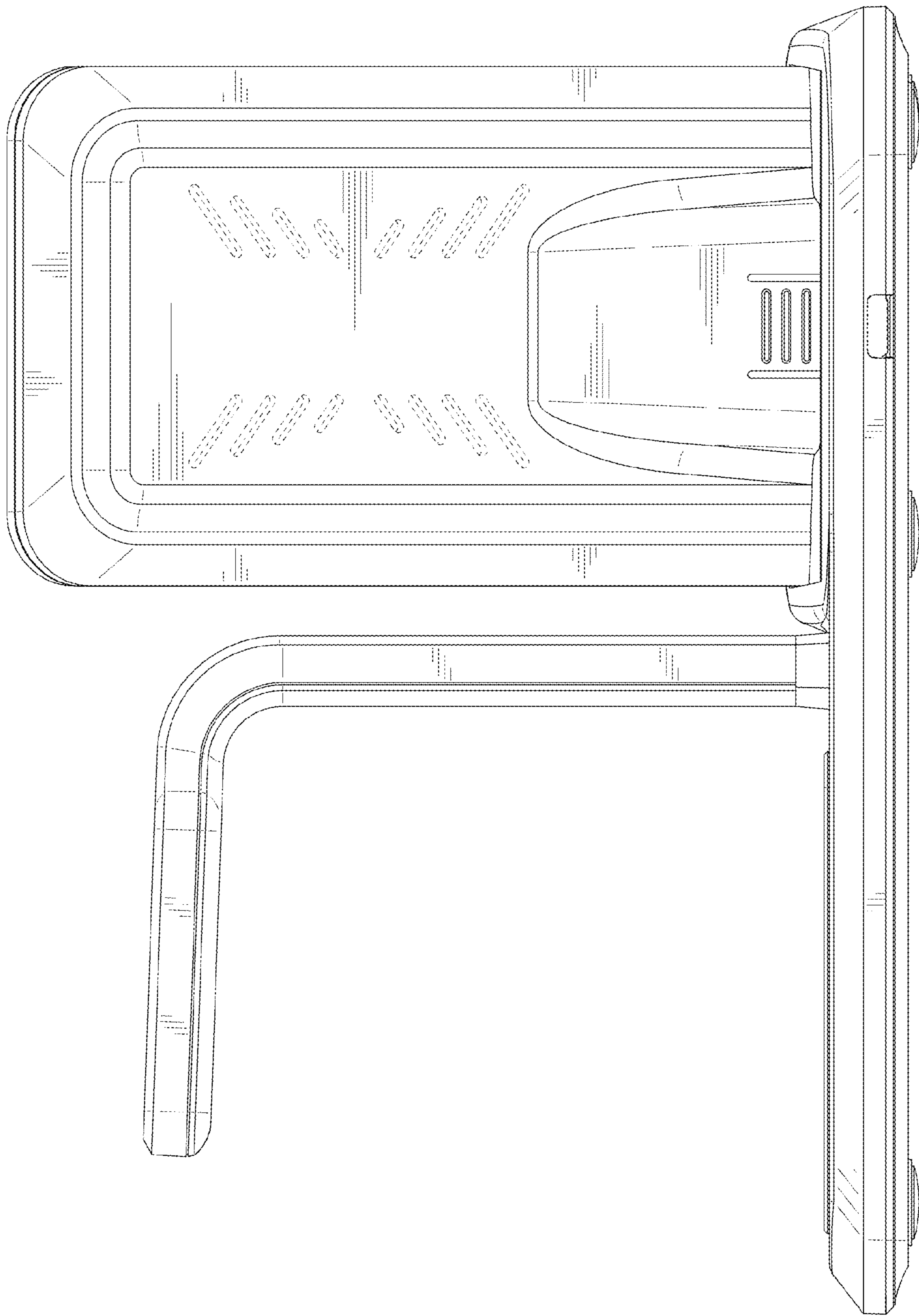


FIG. 5

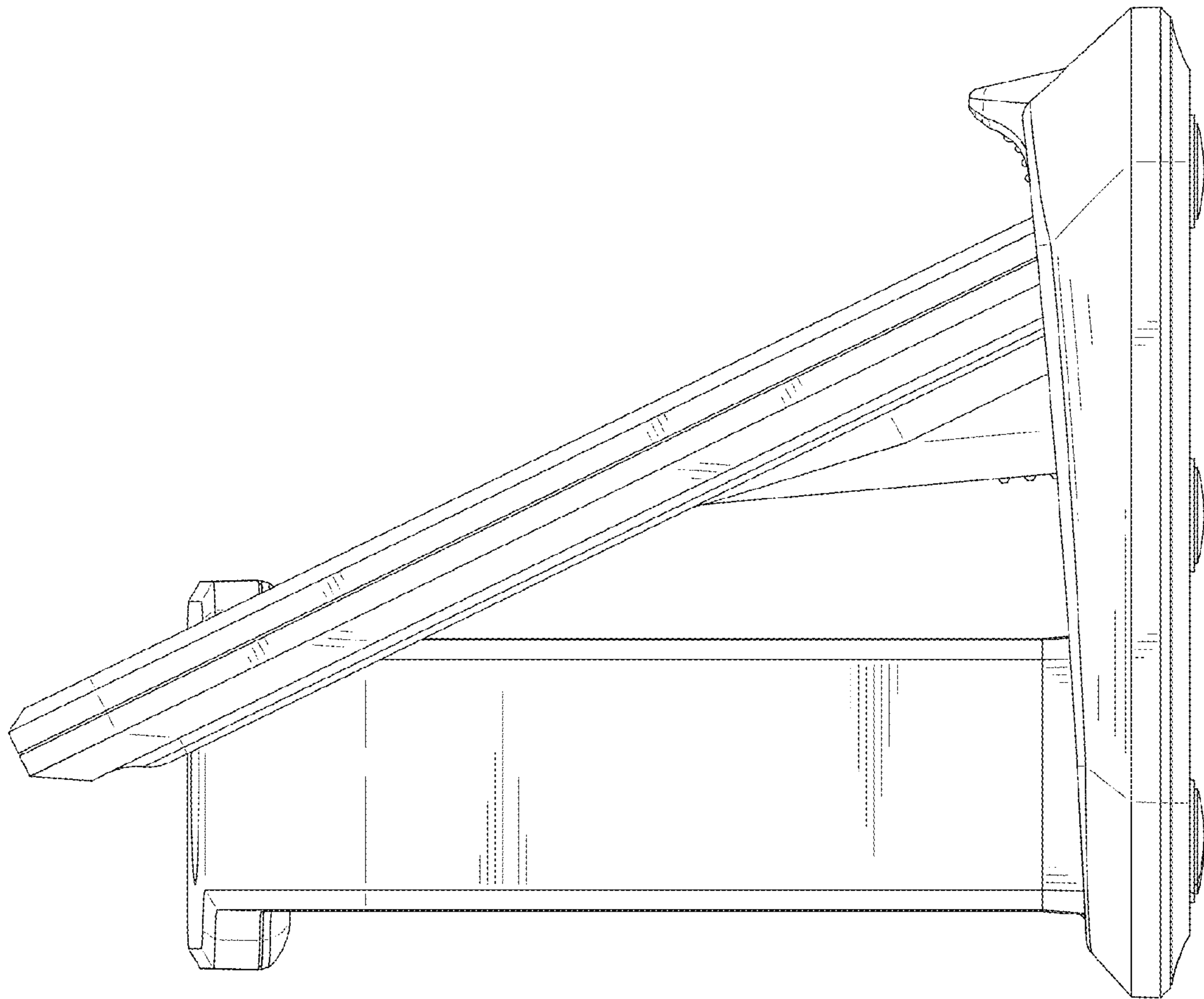


FIG. 6

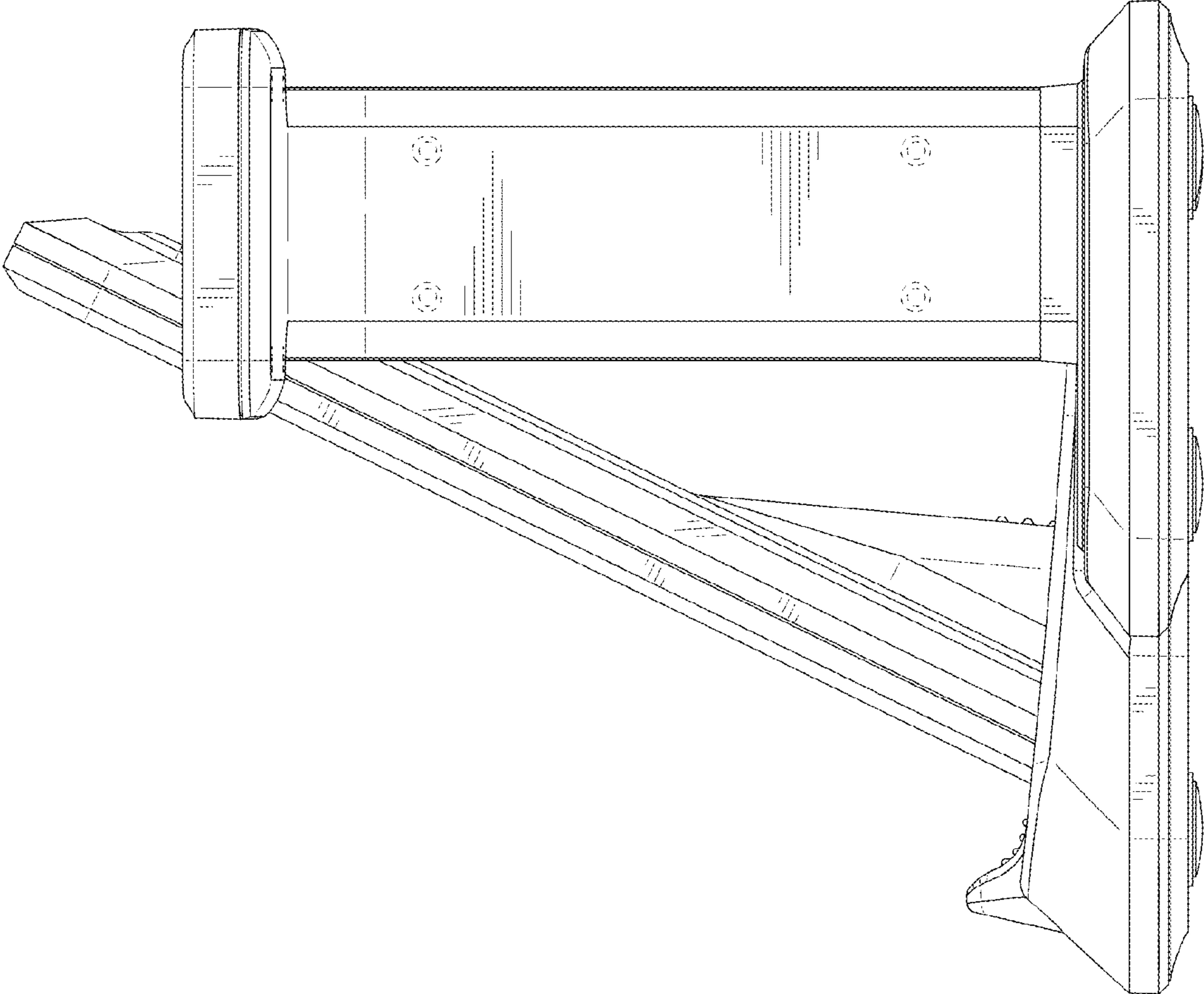


FIG. 7



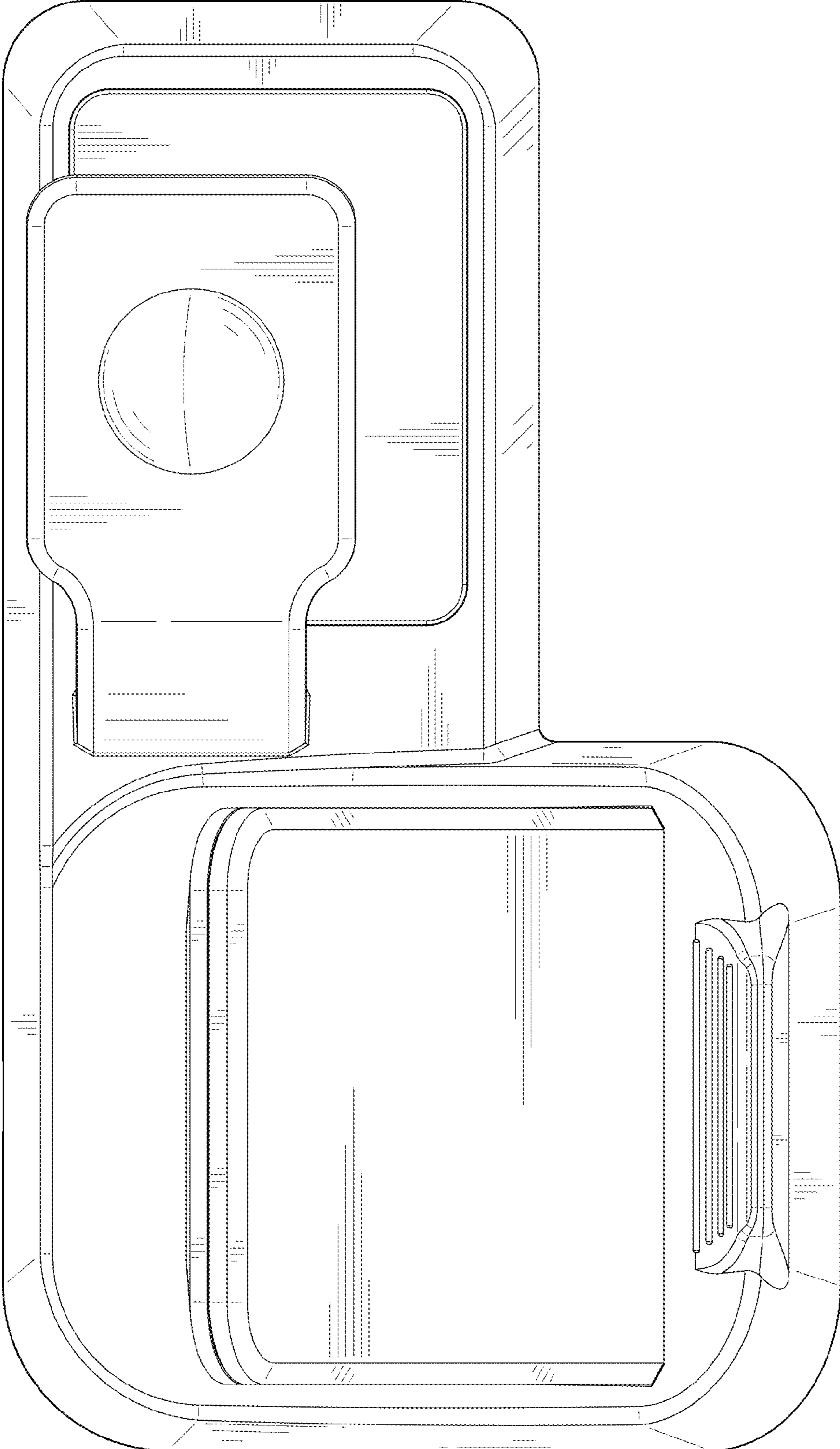


FIG. 8

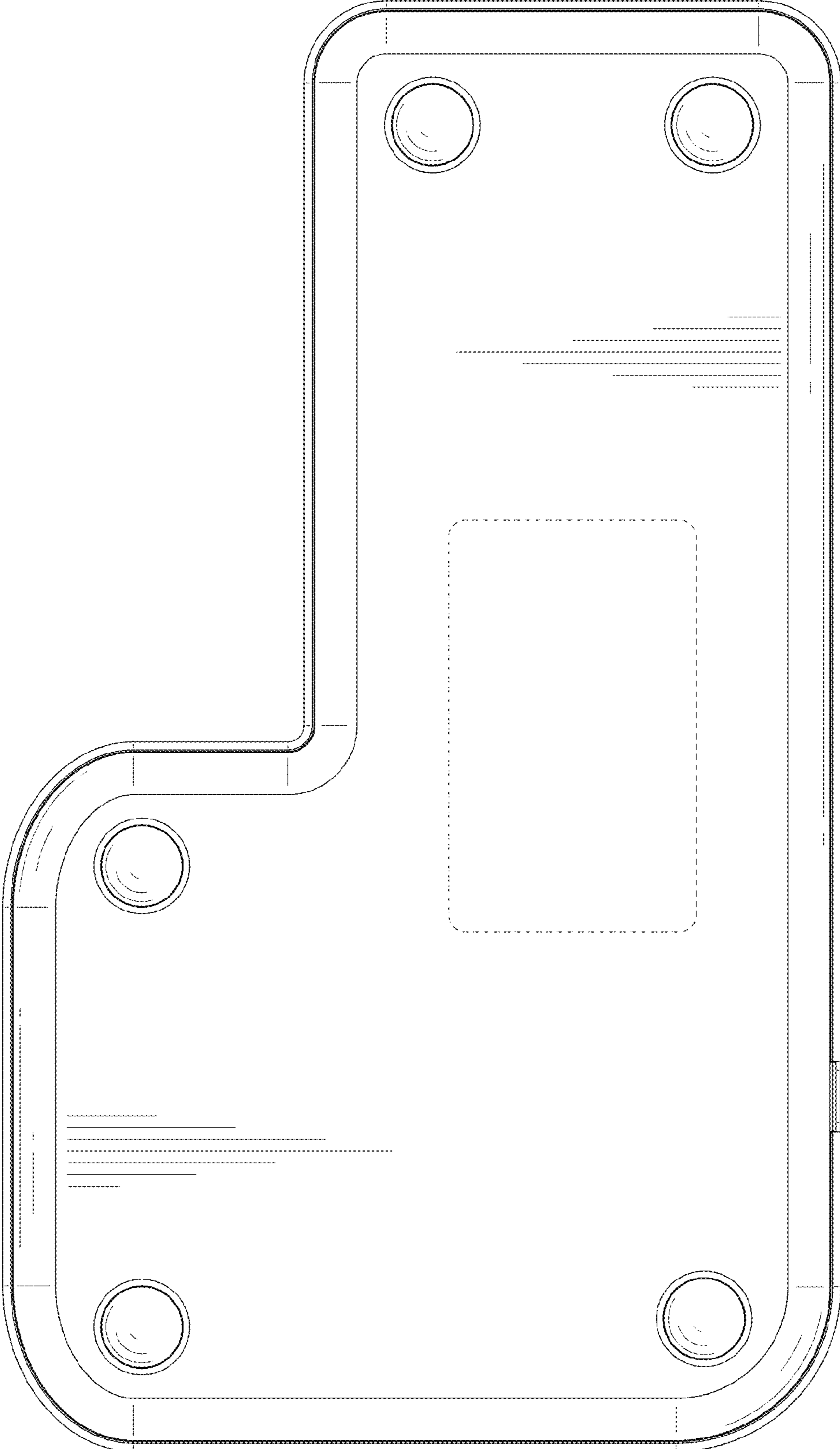


FIG. 9