



US00D920235S

(12) **United States Design Patent** (10) **Patent No.:** **US D920,235 S**  
**Liu** (45) **Date of Patent:** **\*\* May 25, 2021**

(54) **CHARGING BOX FOR WIRELESS EARPHONES**

(71) Applicant: **Shenzhen Eriwin Technology Limited.**, Shenzhen (CN)

(72) Inventor: **Xiabo Liu**, Guangdong (CN)

(\*\*) Term: **15 Years**

(21) Appl. No.: **29/718,374**

(22) Filed: **Dec. 23, 2019**

(51) **LOC (13) Cl.** ..... **13-02**

(52) **U.S. Cl.**  
USPC ..... **D13/108; D3/294**

(58) **Field of Classification Search**  
USPC ..... D13/103, 107, 108, 118, 119, 184;  
D3/201, 208, 218, 266, 273, 274, 294,  
D3/301, 302; D14/223, 251, 432, 434;  
D9/414, 420, 423, 430, 503  
CPC .. H01M 2/02; G06F 1/1628; A45C 2011/001;  
B65D 43/16  
See application file for complete search history.

(56) **References Cited**

**U.S. PATENT DOCUMENTS**

D235,080 S *	5/1975	Verona	.....	D3/206
D756,908 S *	5/2016	Chung	.....	D13/103
D817,640 S *	5/2018	Dang	.....	D3/294
D835,577 S *	12/2018	Zhang	.....	D13/108
D838,480 S *	1/2019	Son	.....	D3/294
D841,580 S *	2/2019	Bao	.....	D13/108
D841,581 S *	2/2019	Bonahoom	.....	D13/108
D871,325 S *	12/2019	Cai	.....	D13/108
D873,217 S *	1/2020	Zhang	.....	D13/108
10,701,472 B1 *	6/2020	Xu	.....	H02J 7/0044
D898,347 S *	10/2020	Lee	.....	D3/203.3
2019/0069066 A1 *	2/2019	Song	.....	H04R 1/1041
2020/0321792 A1 *	10/2020	Rhee	.....	H04R 1/1025

**OTHER PUBLICATIONS**

“SHABA TWS Wireless Earbuds with Charging Box”. Found online Dec. 8, 2020 at amazon.com. Reference dated Jan. 12, 2018. Retrieved from <https://www.amazon.com/SHABA-Wireless-Invisible-Wearable-Charging/dp/B078Z7G7F1?th=1>. (Year: 2018).\*

(Continued)

*Primary Examiner* — Catherine S Posthauer  
*Assistant Examiner* — Amanda Christensen

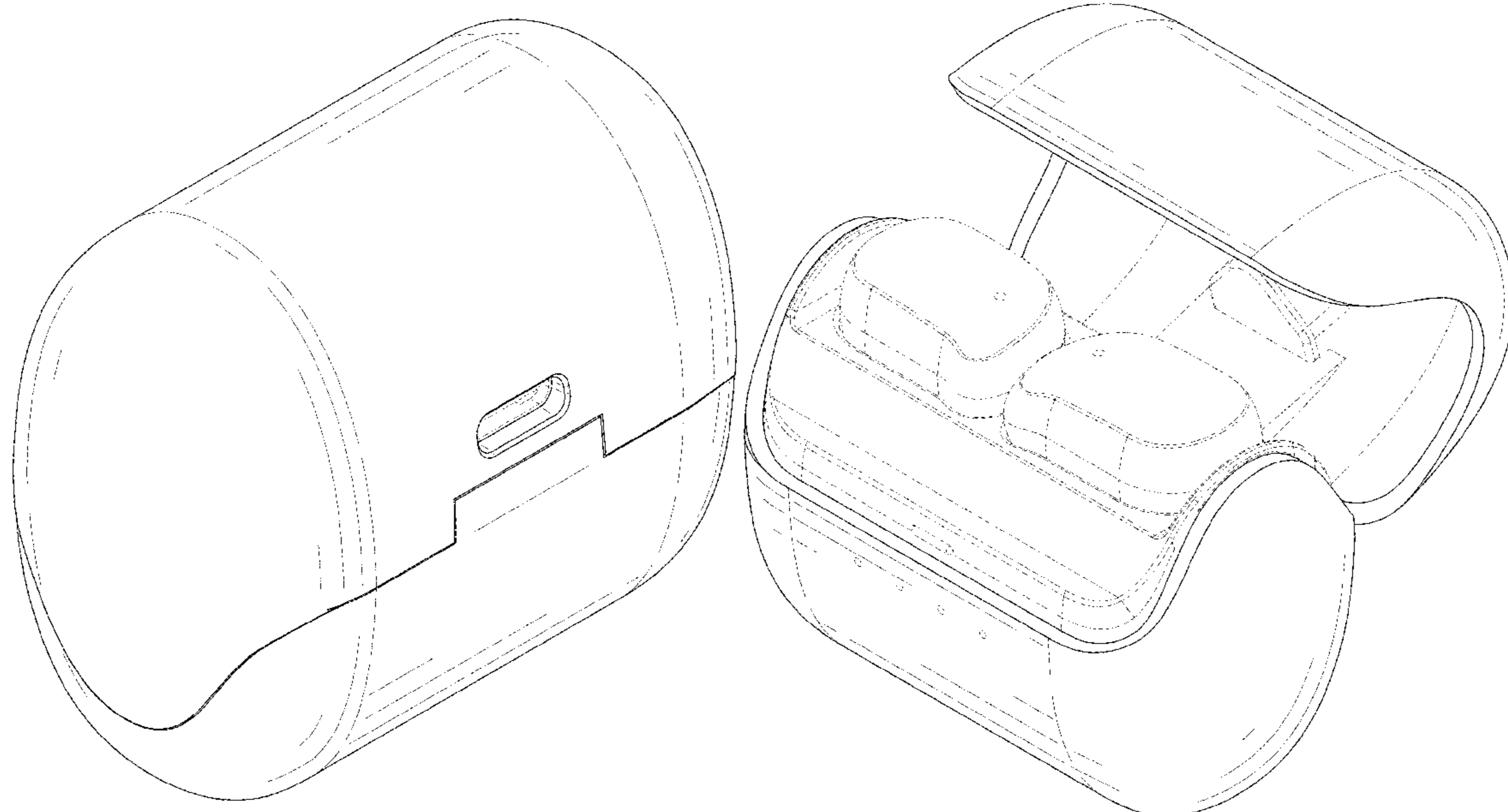
(57) **CLAIM**

The ornamental design for a charging box for wireless earphones, as shown and described.

**DESCRIPTION**

FIG. 1 is a front, top, right side perspective view of a charging box for wireless earphones, showing my new design closed in a first configuration;  
FIG. 2 is a rear, bottom, left side perspective view thereof;  
FIG. 3 is a front elevation view thereof;  
FIG. 4 is a rear elevation view thereof;  
FIG. 5 is a left side elevation view thereof;  
FIG. 6 is a right side elevation view thereof;  
FIG. 7 is a top plan view thereof;  
FIG. 8 is a bottom plan view thereof; and,  
FIG. 9 is a top, front, right side perspective view of the charging box for wireless earphones of FIG. 1, shown open in condition of use in a second configuration.  
In the drawings, the broken lines on the charging box for wireless earphones depict portions of the charging box for wireless earphones that form no part of the claimed design. In FIG. 9, the broken lines showing earphones depict environmental subject matter only, and form no part of the claimed design.

**1 Claim, 9 Drawing Sheets**



(56)

**References Cited**

OTHER PUBLICATIONS

“Samsung Galaxy Buds”. Found online Dec. 8, 2020 at best4geek.com. Reference dated Apr. 4, 2019. Retrieved from <https://www.best4geeks.com/samsung-galaxy-buds-wont-turn-not-charging-equaly-not-charge-galaxy-earbuds/>. (Year: 2019).\*

“JLab Audio Jbuds”. Found online Dec. 4, 2020 at amazon.com. Reference dated Sep. 18, 2018. Retrieved from [https://www.amazon.com/Wireless-Signature-Bluetooth-Earbuds-Charging/dp/B07HGL3J31/ref=sr\\_1\\_3](https://www.amazon.com/Wireless-Signature-Bluetooth-Earbuds-Charging/dp/B07HGL3J31/ref=sr_1_3) (Year: 2018).\*

\* cited by examiner

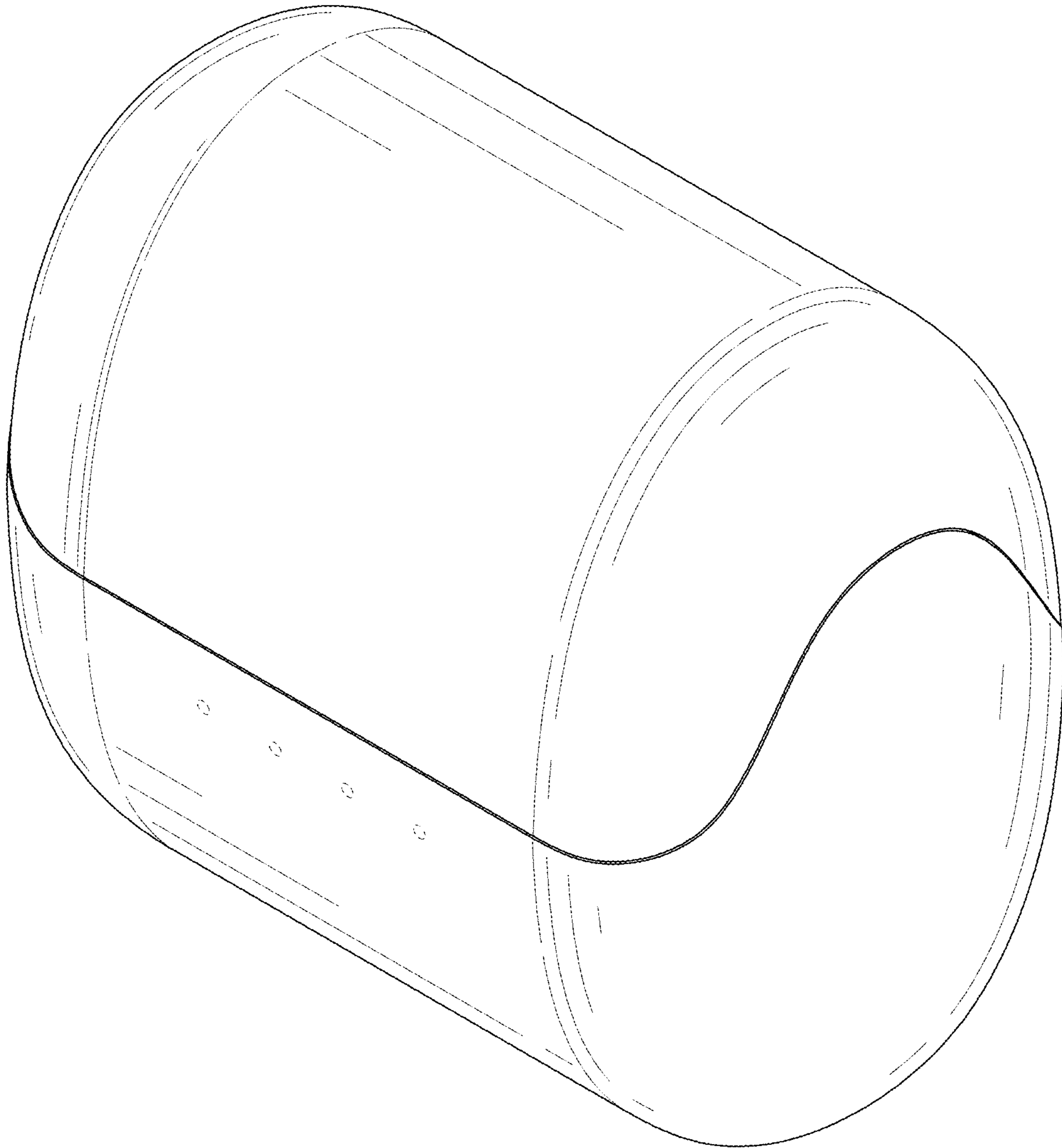


FIG. 1

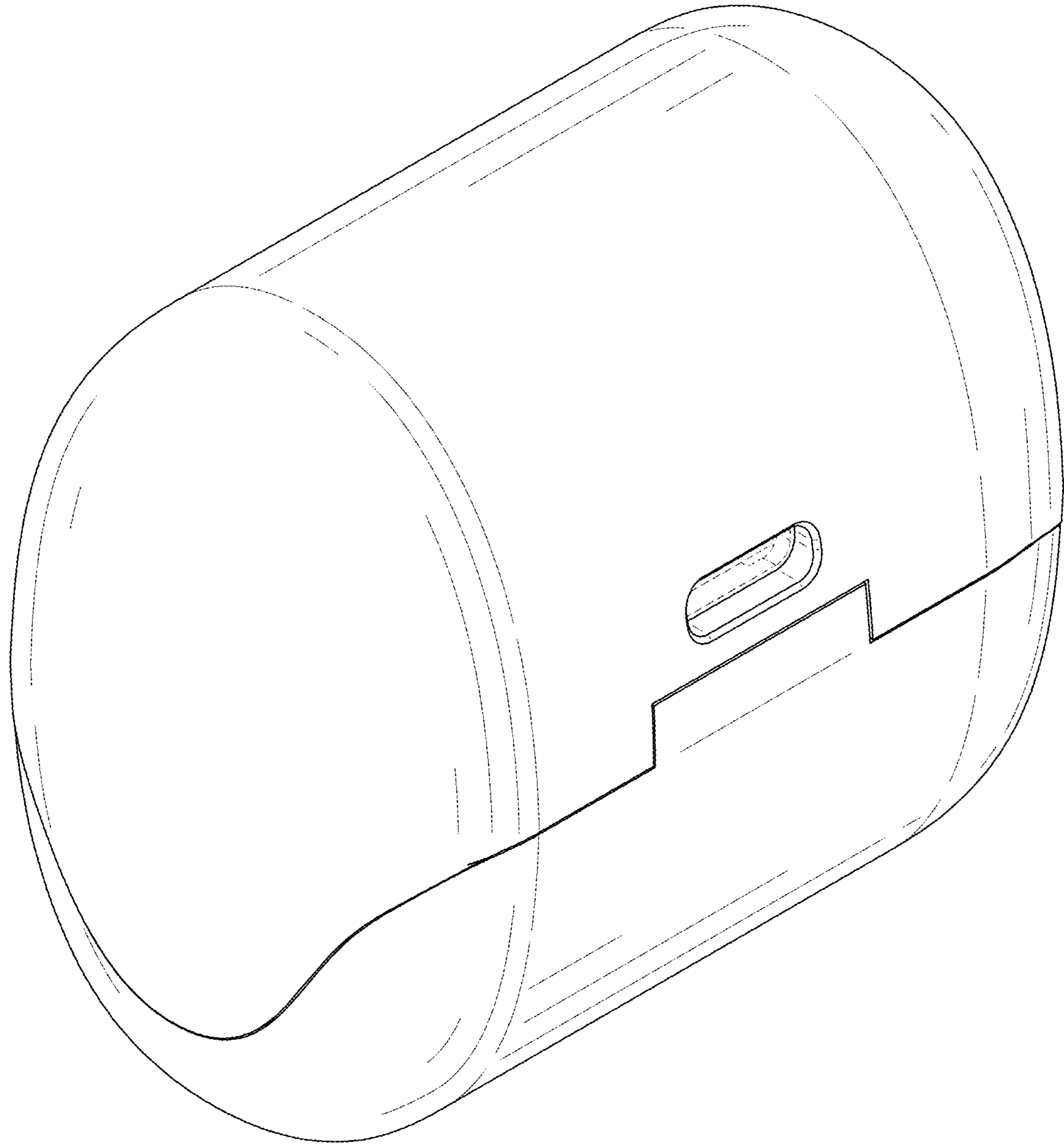


FIG. 2

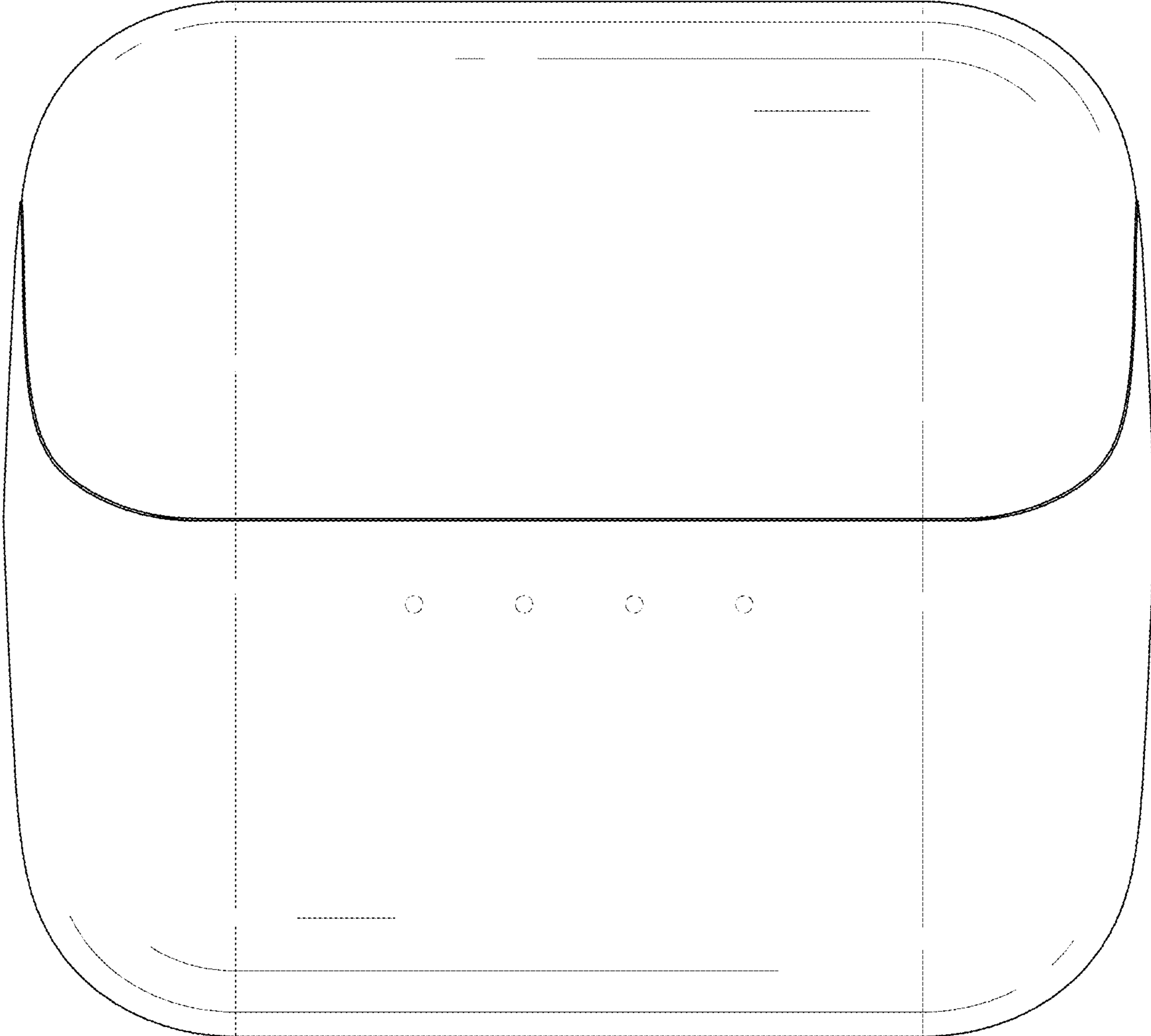


FIG. 3

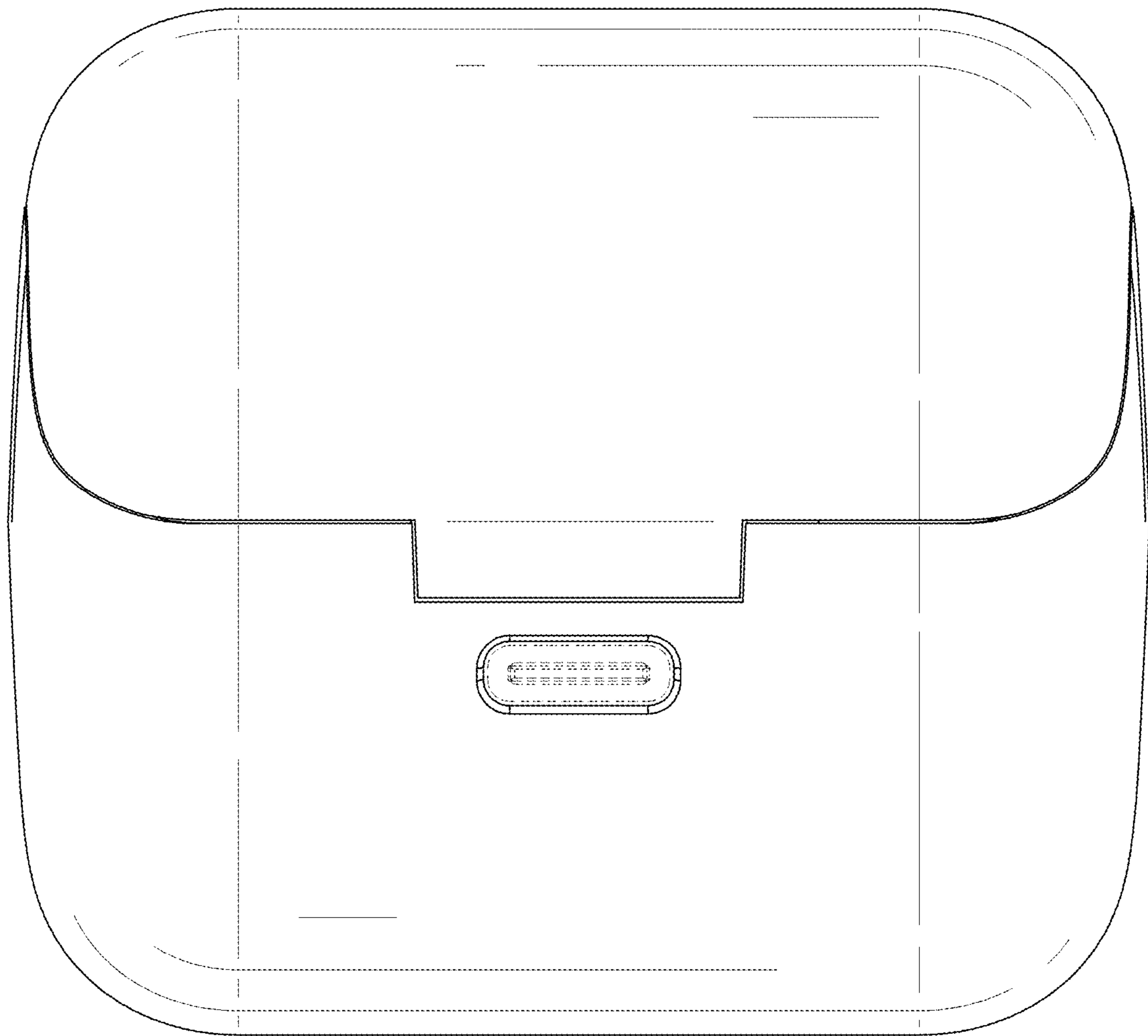


FIG. 4

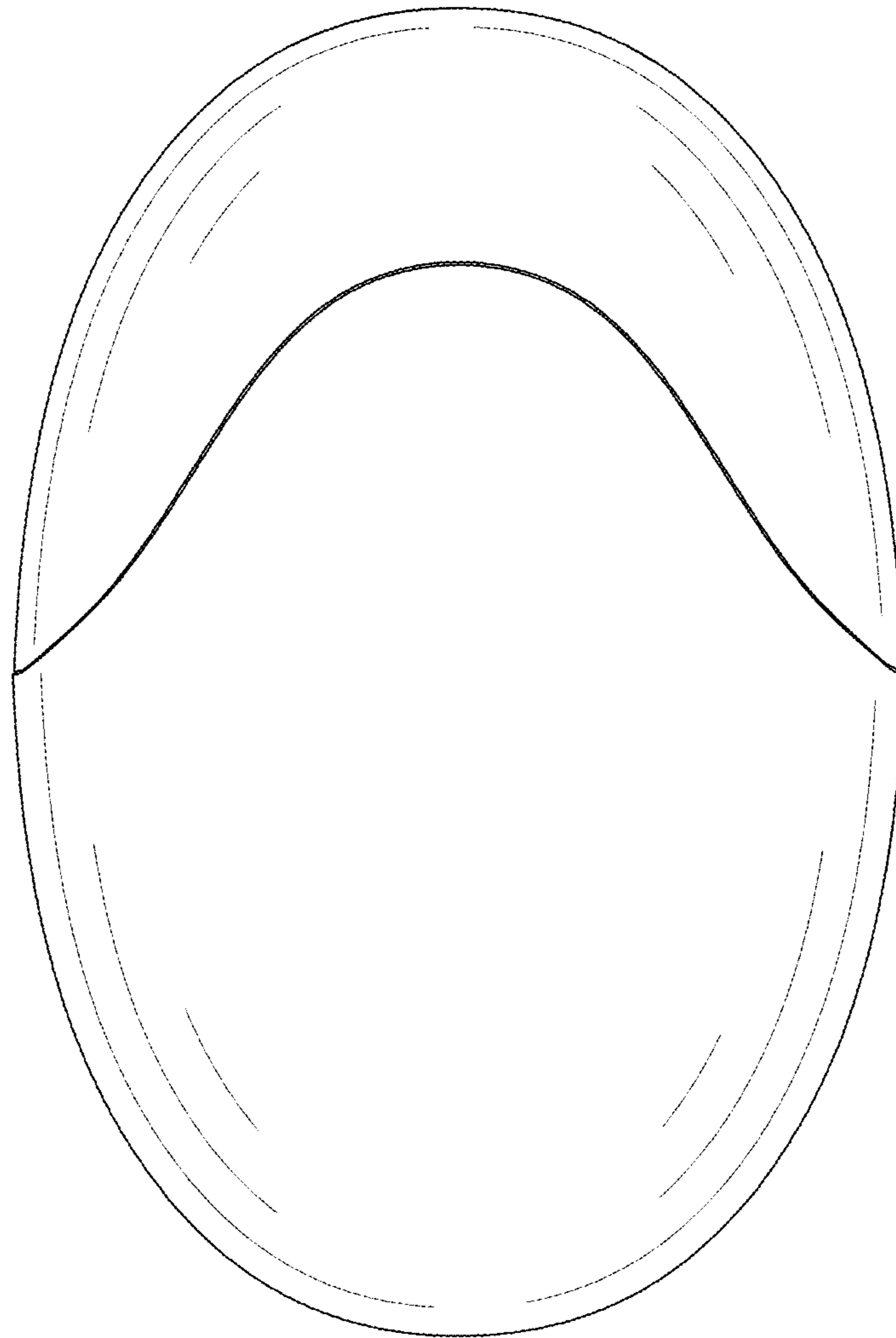


FIG. 5

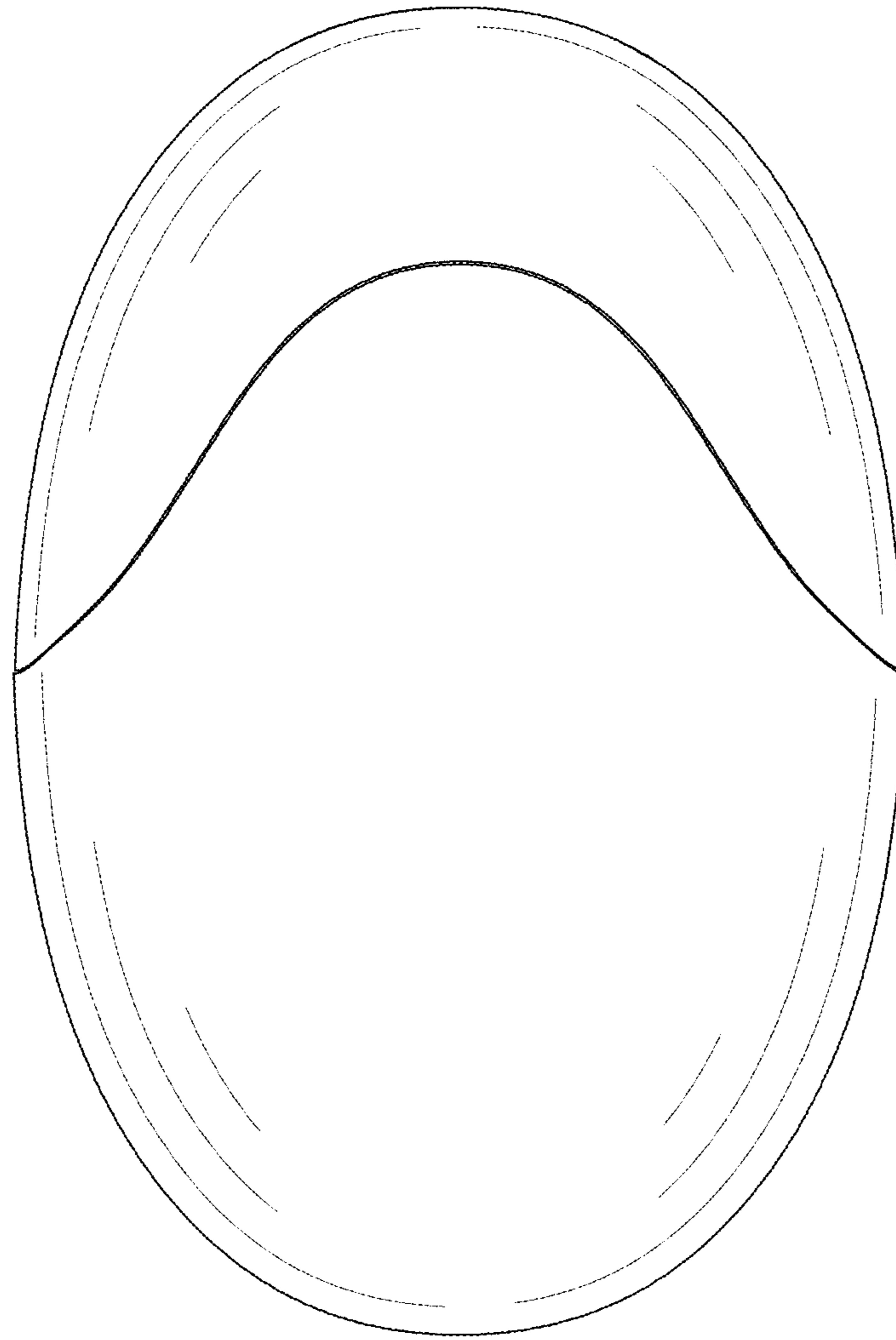


FIG. 6



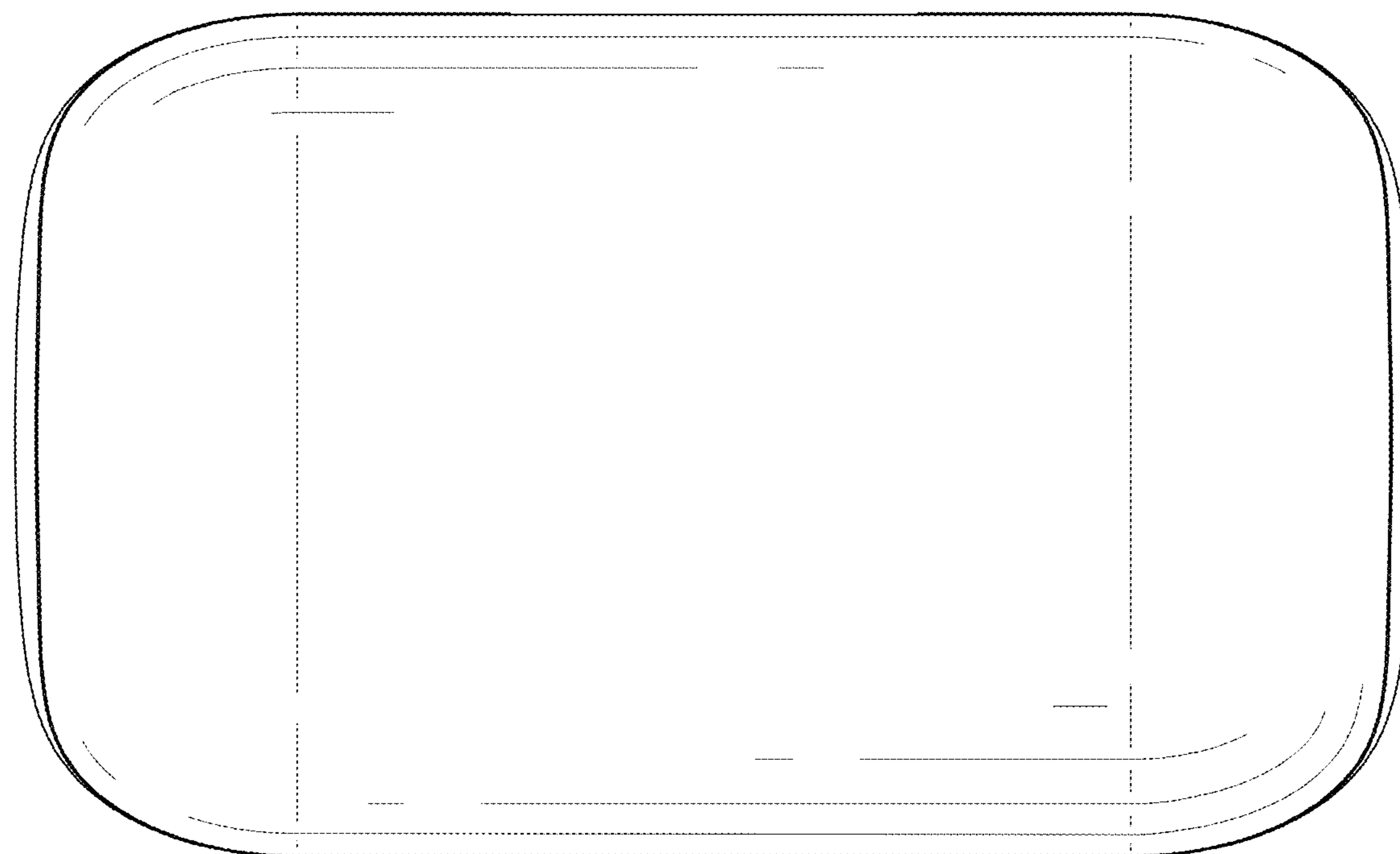


FIG. 7

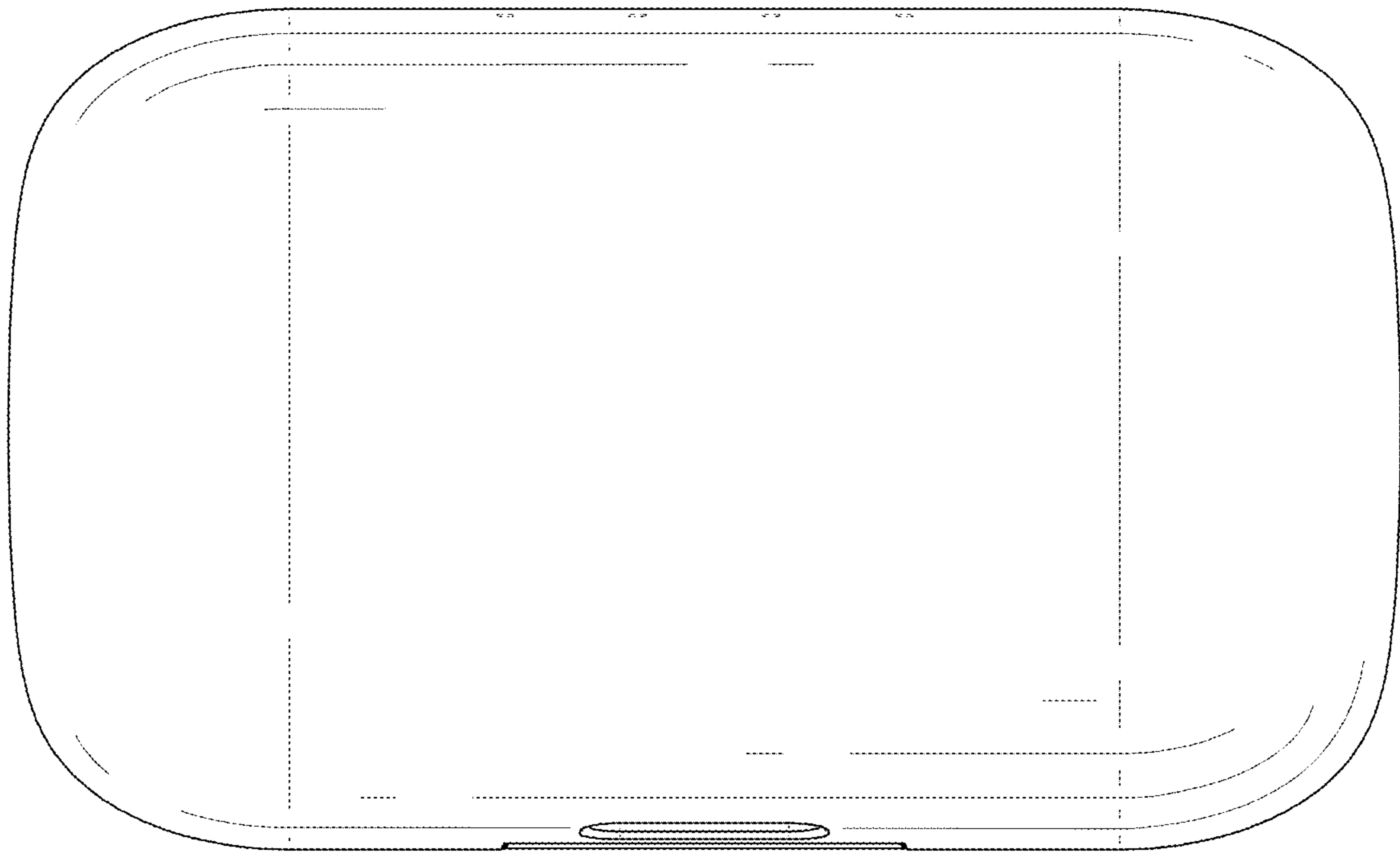


FIG. 8

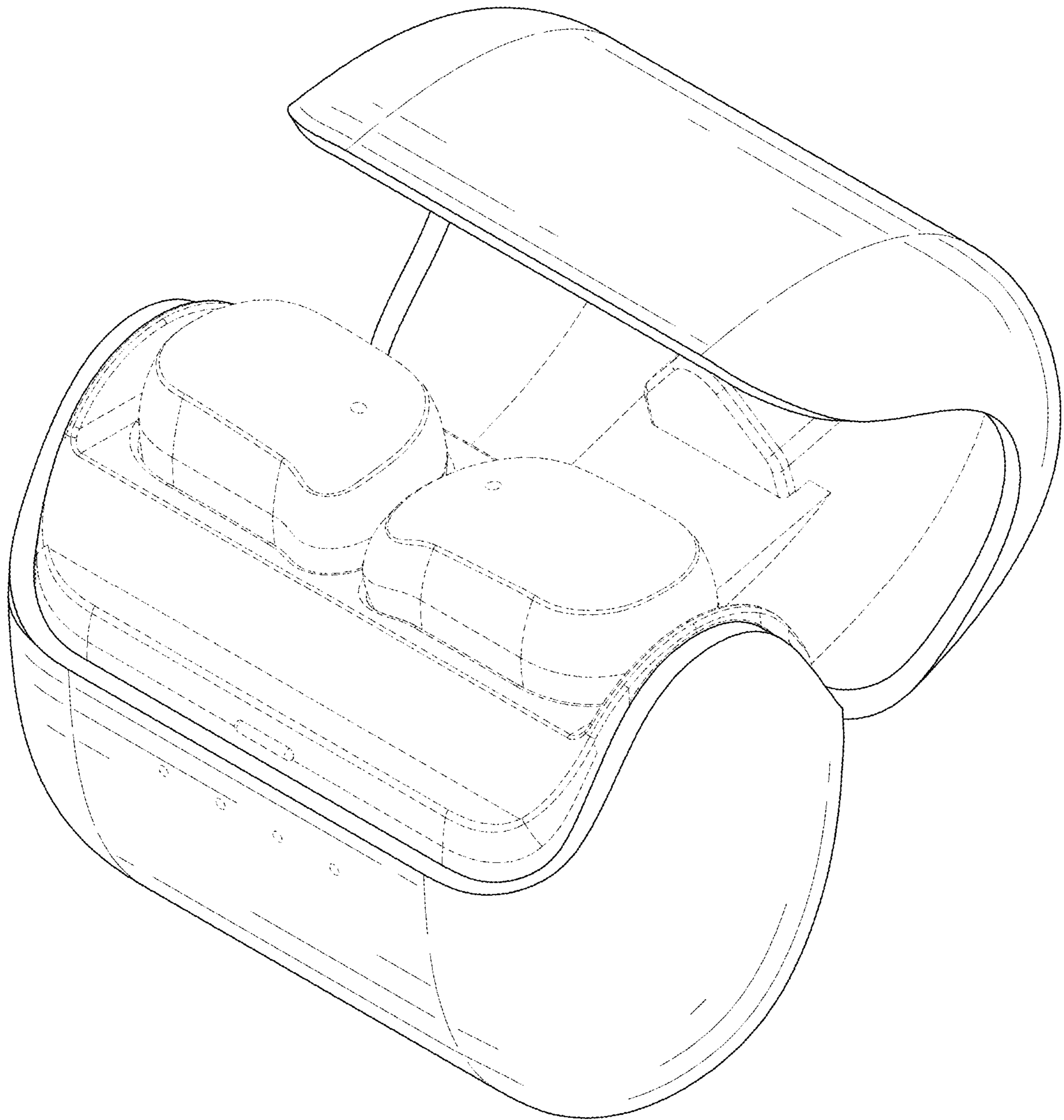


FIG. 9