



US00D920233S

(12) **United States Design Patent** (10) **Patent No.:** **US D920,233 S**
Chen (45) **Date of Patent:** **** May 25, 2021**

(54) **PORTABLE CHARGER**

(71) Applicant: **Shenzhen Siyoteam Technology Co., Ltd.**, Shenzhen (CN)

(72) Inventor: **Jigan Chen**, Shenzhen (CN)

(73) Assignee: **Shenzhen Siyoteam Technology Co., LTD.**, Shenzhen (CN)

(**) Term: **15 Years**

(21) Appl. No.: **29/709,199**

(22) Filed: **Oct. 11, 2019**

(30) **Foreign Application Priority Data**

Aug. 19, 2019 (CN) 201930450057.5

(51) **LOC (13) Cl.** **13-02**

(52) **U.S. Cl.**
USPC **D13/108**

(58) **Field of Classification Search**
USPC D13/101, 103, 107, 108, 109, 110, 117,
D13/118, 119, 120, 123, 133, 137.1,
D13/137.2, 137.4, 138.1, 138.2, 139.7,
D13/146, 153, 199; D14/230, 233, 234,
D14/432, 433; D16/242, 243
CPC H01R 29/00; H01R 11/00; H01R 13/46
See application file for complete search history.

(56) **References Cited**

U.S. PATENT DOCUMENTS

D231,402 S * 4/1974 Bourke D16/243
D370,888 S * 6/1996 Okumura D13/108
D414,165 S * 9/1999 Klein D14/432
D689,539 S * 9/2013 Zaletel D16/242
D742,956 S * 11/2015 Klinger D16/243
D750,822 S * 3/2016 Hernandez D26/38

D758,307 S * 6/2016 Stump D13/108
D823,795 S * 7/2018 Hsiao D13/108
D839,186 S * 1/2019 Rostami D13/108
D846,799 S * 4/2019 Moore D27/174
2005/0277316 A1* 12/2005 Cohen H01R 13/6335
439/135
2018/0347665 A1* 12/2018 LeBeau F16G 11/143
2020/0079271 A1* 3/2020 Villacres Mesias F16B 45/02

OTHER PUBLICATIONS

“MecArmy USB Rechargeable Flashlight”. Found online Jan. 14, 2021 at amazon.com. Reference dated Jan. 23, 2018. Retrieved from <https://www.amazon.com/MecArmy-Rechargeable-Flashlight-Lightweight-Multifunctional/dp/B0798N3QYX>. (Year: 2018).*

(Continued)

Primary Examiner — Kendra Leslie Hamilton

Assistant Examiner — Amanda Christensen

(74) *Attorney, Agent, or Firm* — Ward and Smith. P.A.;
Ryan K. Simmons

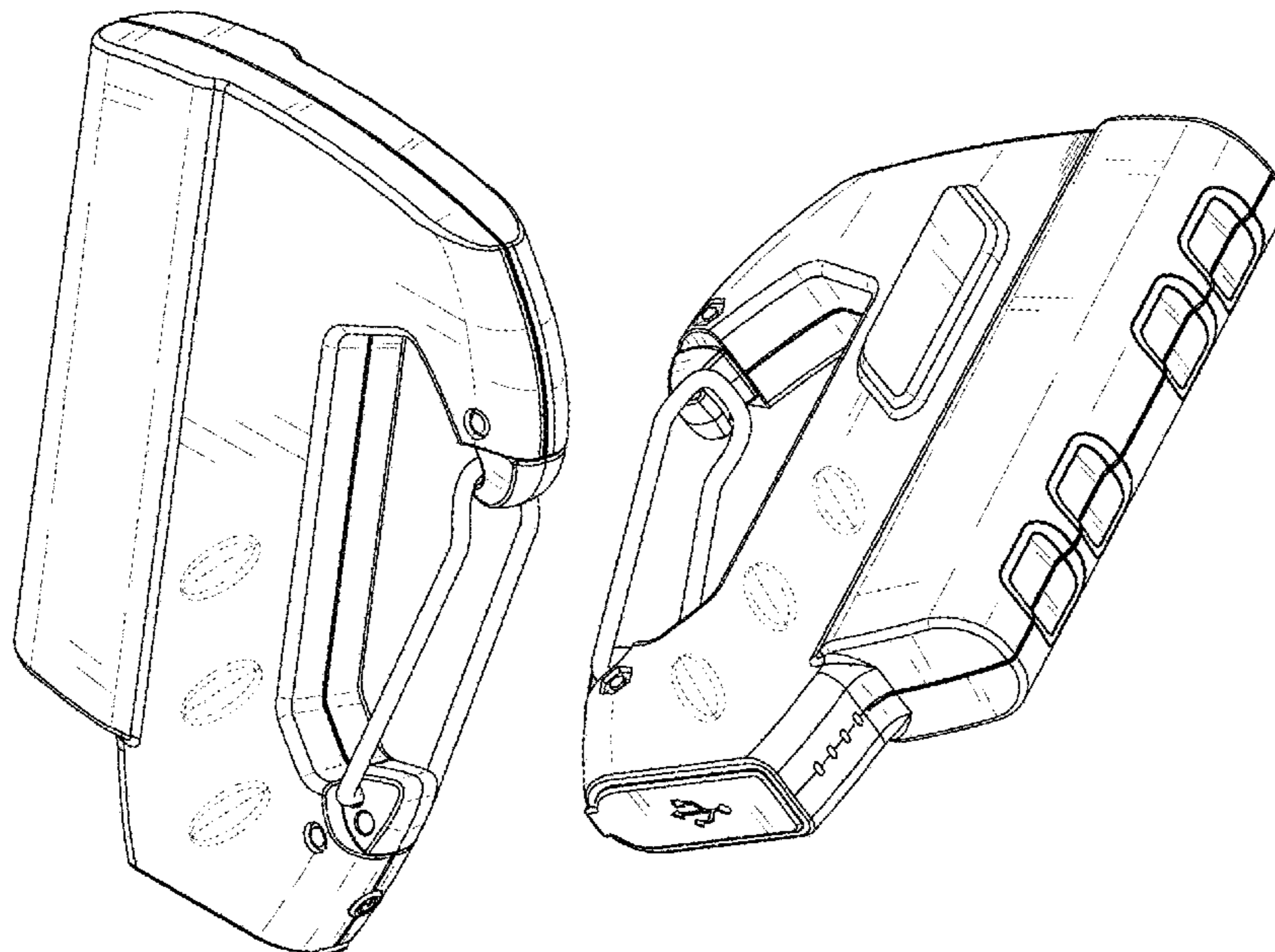
(57) **CLAIM**

The ornamental design for a portable charger, as shown and described.

DESCRIPTION

FIG. 1 is a front elevation view of a portable charger showing a new design;
FIG. 2 is a rear elevation view thereof;
FIG. 3 is a left side elevation view thereof;
FIG. 4 is a right side elevation view thereof;
FIG. 5 is a top plan view thereof;
FIG. 6 is a bottom plan view thereof;
FIG. 7 is a front perspective view thereof; and,
FIG. 8 is a rear perspective view thereof.
The broken lines in the drawings depict portions of the portable charger that form no part of the claimed design.

1 Claim, 8 Drawing Sheets



(56)

References Cited

OTHER PUBLICATIONS

“Powerbiner Carabiner Power Bank”. Found online Jan. 27, 2021 at amazon.com. Reference dated Aug. 3, 2017. Retrieved from <https://www.amazon.com/gp/product/B074JLDGH4/?tag=dudetxe-20>. (Year: 2017).*

“Carabiner Black”. Found online Jan. 27, 2021 at amazon.com. Reference dated Oct. 1, 2018. Retrieved from <https://www.amazon.com/EpicXL-EPB200B-Carabiner-Black-5000/dp/B07HFPT7H8>. (Year: 2018).*

* cited by examiner

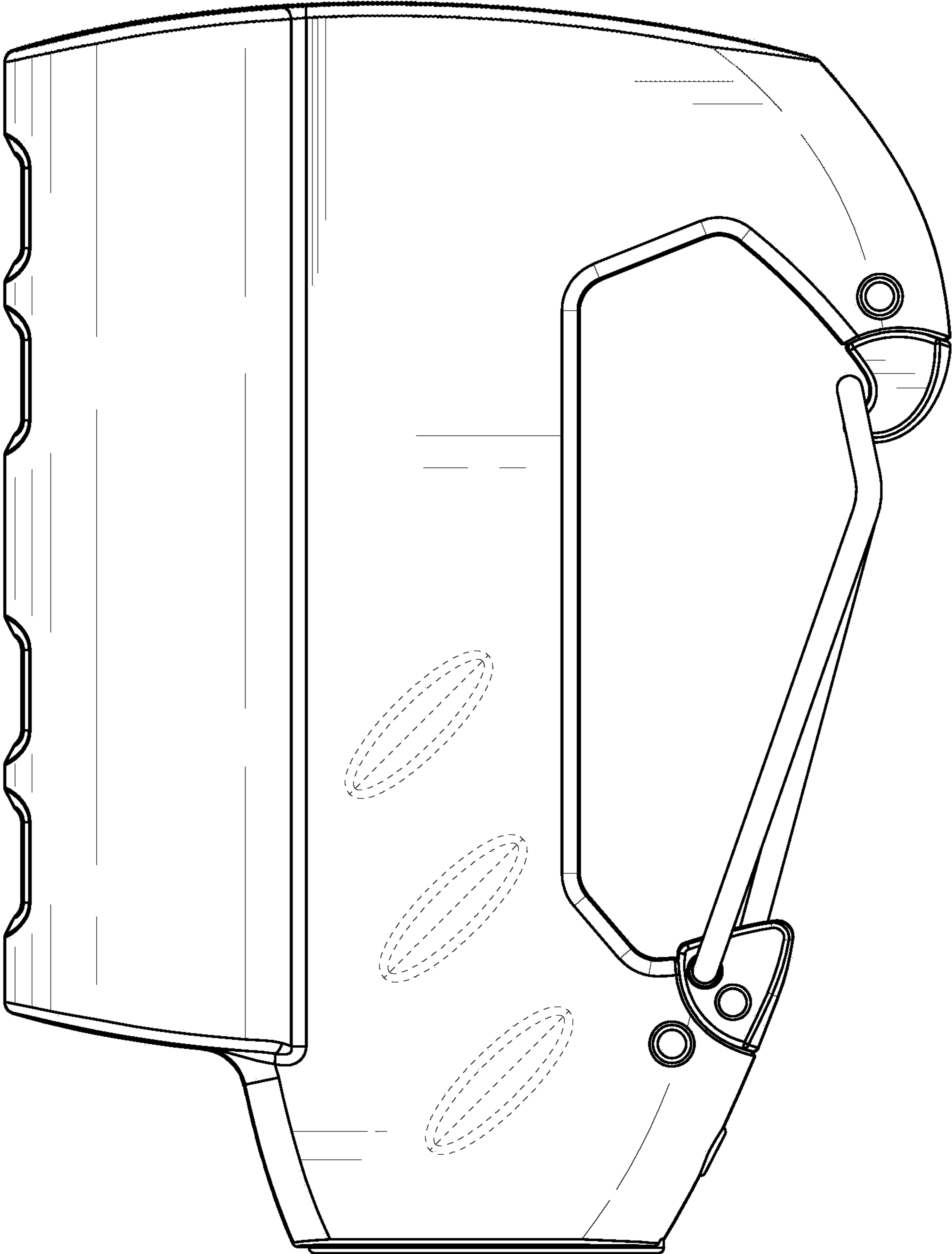


FIG. 1

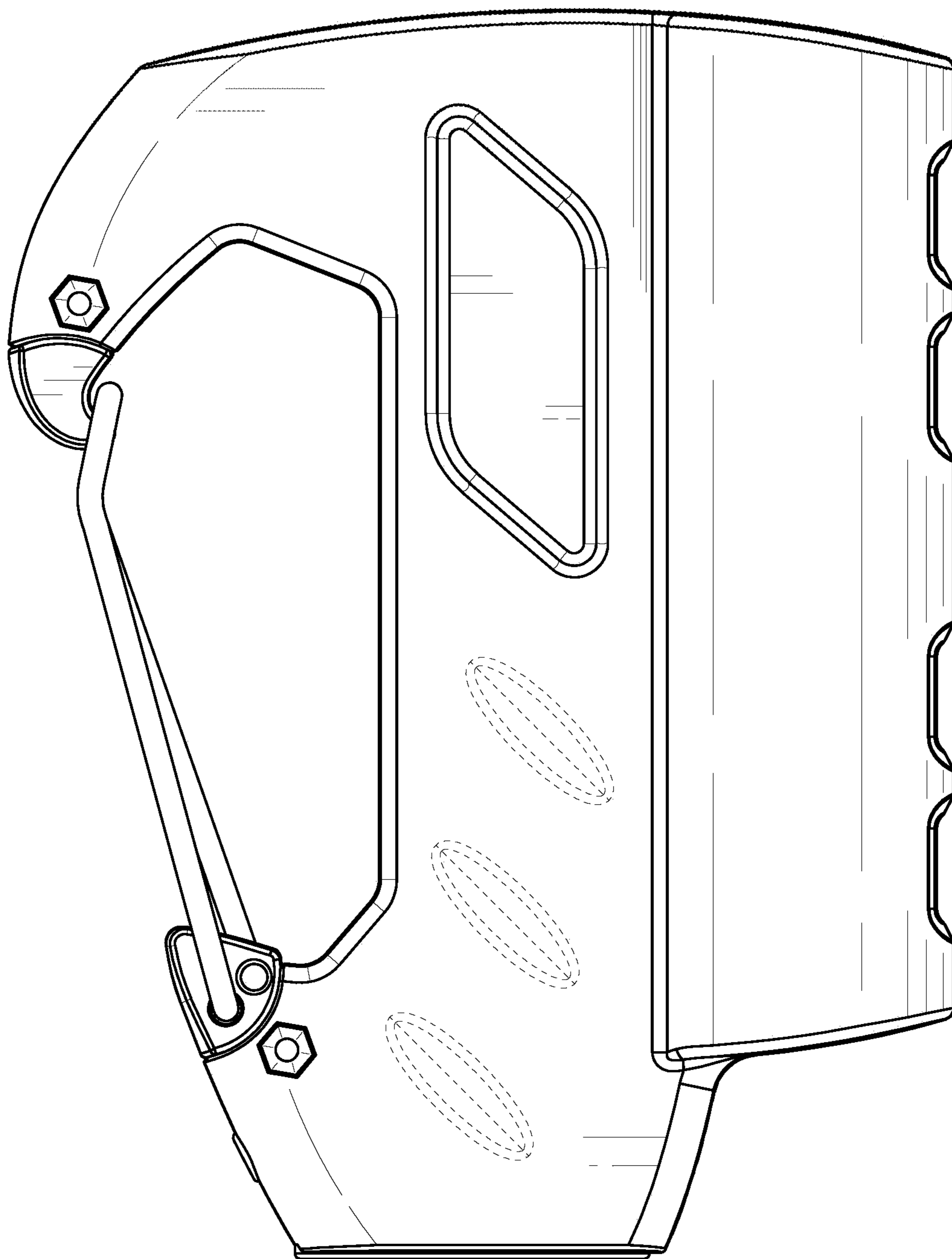


FIG. 2

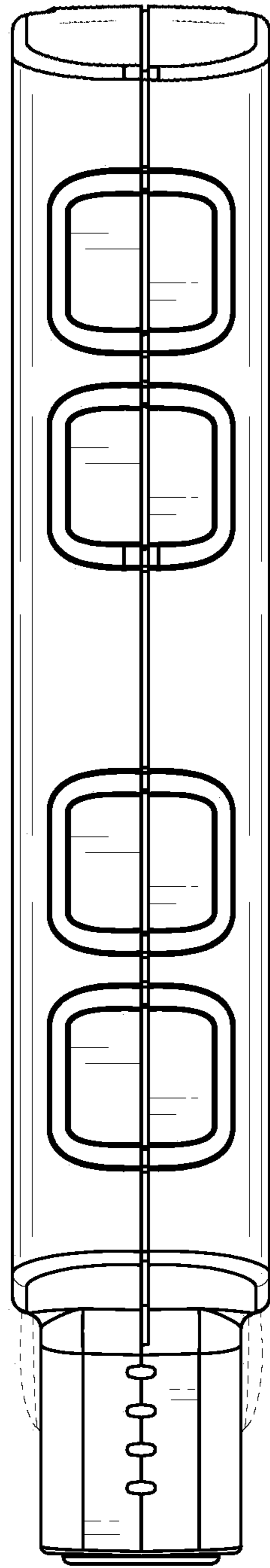


FIG. 3

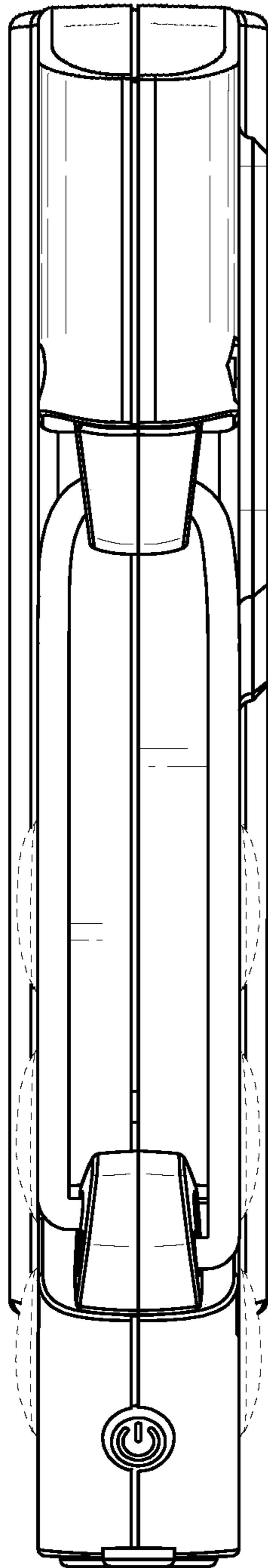


FIG. 4

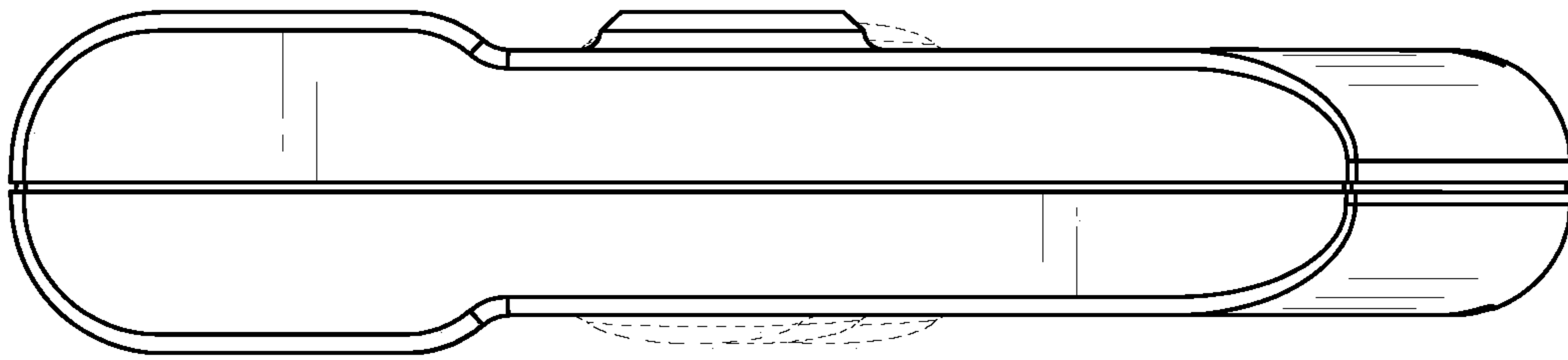


FIG. 5

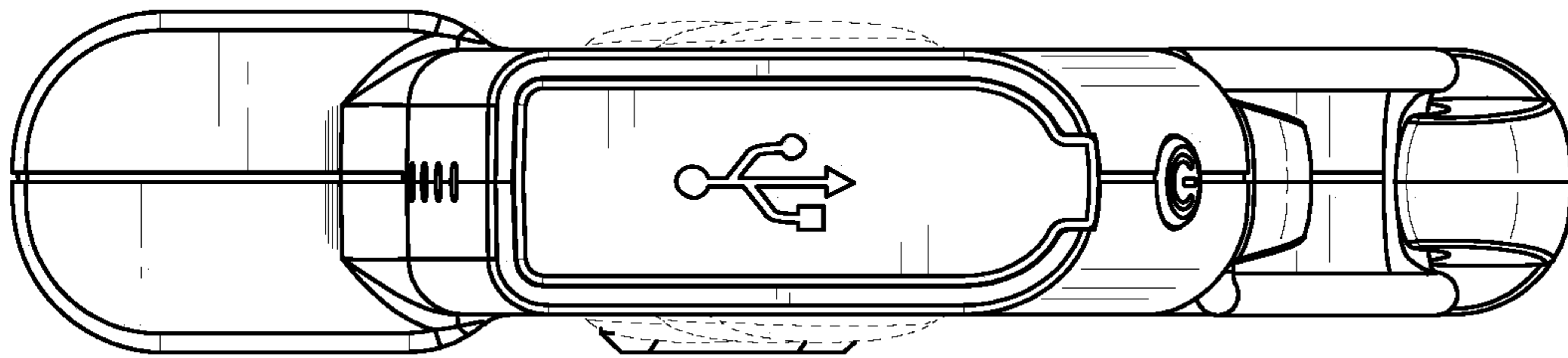


FIG. 6

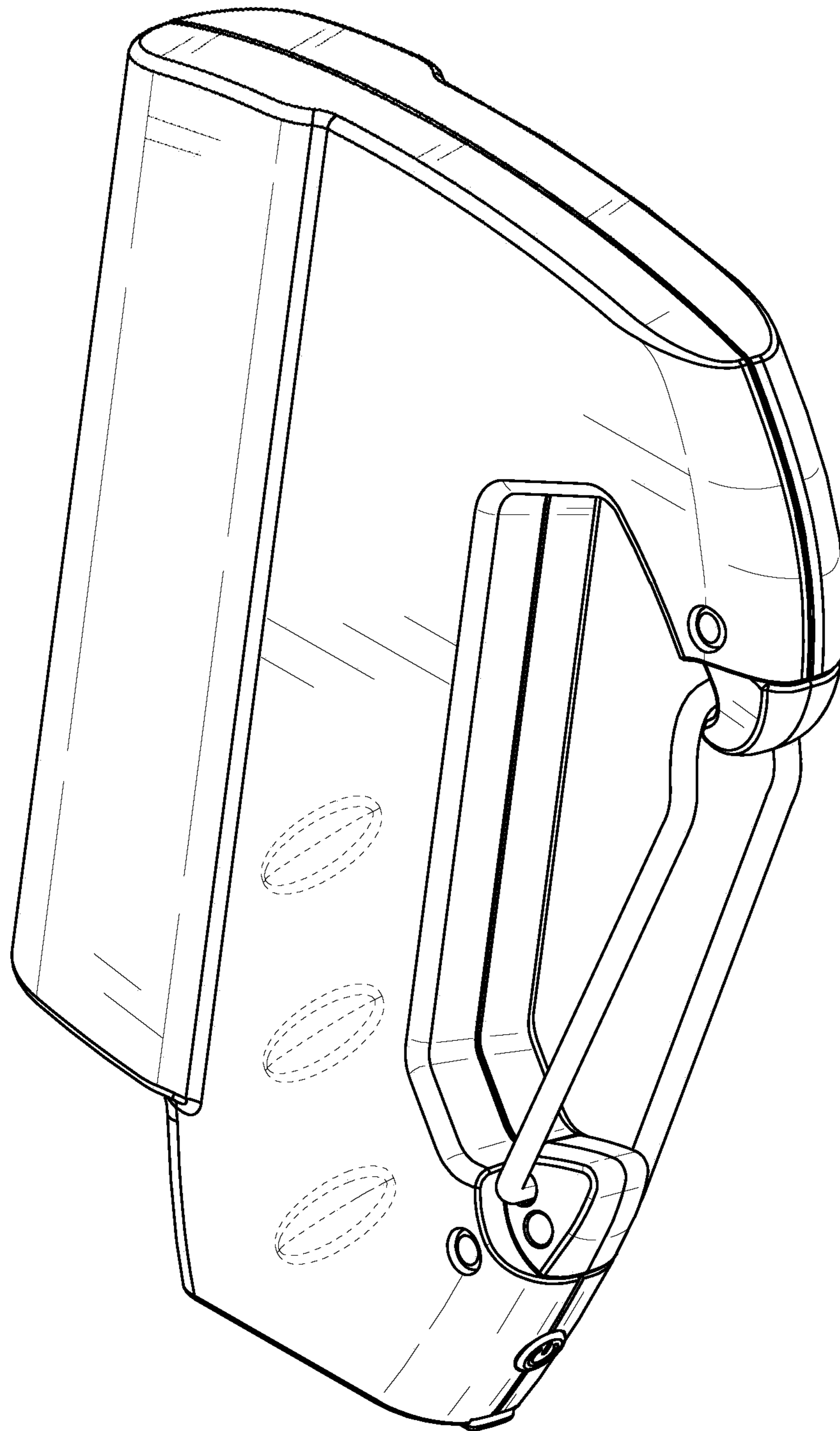


FIG. 7

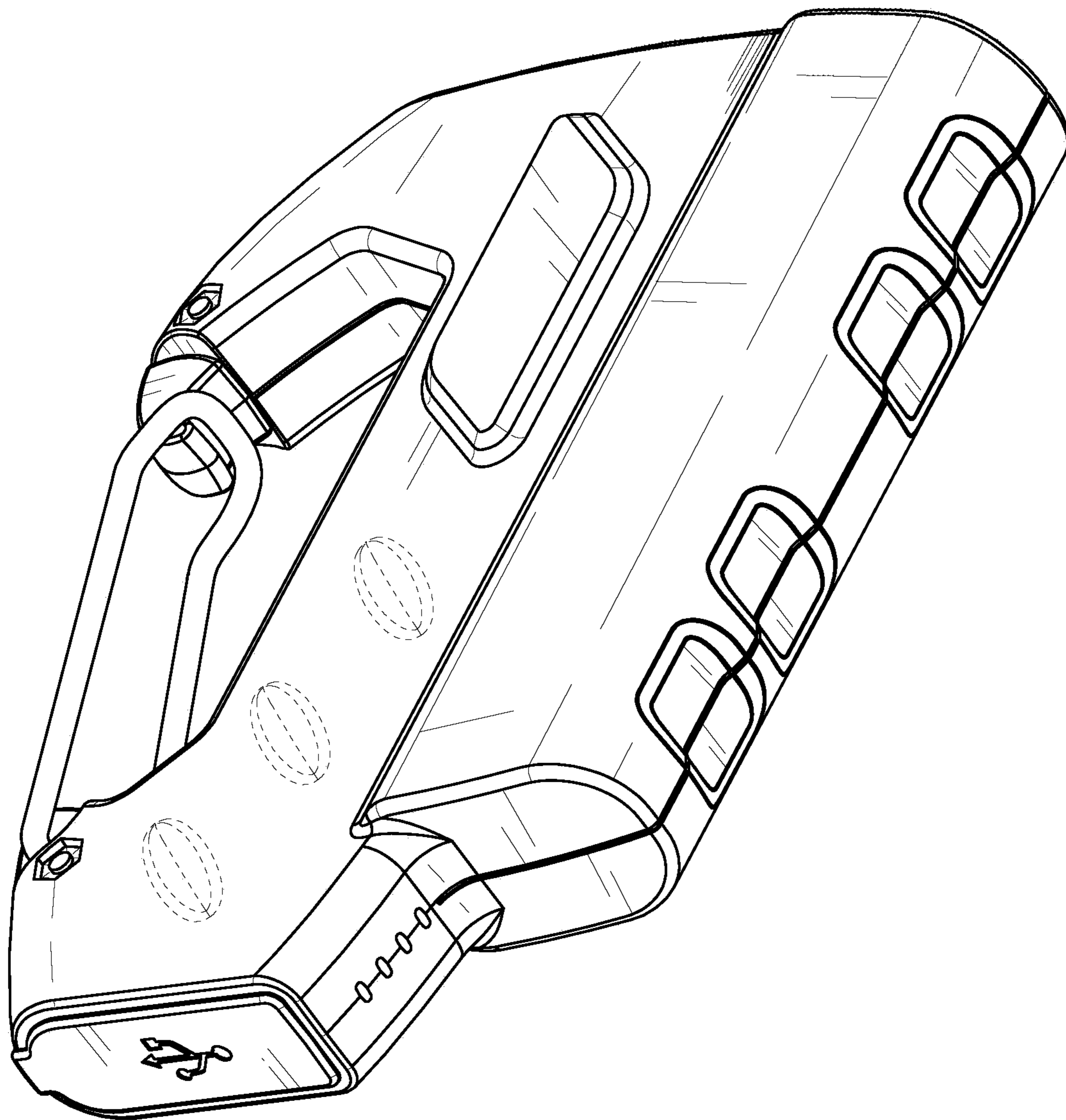


FIG. 8