



US00D920232S

(12) **United States Design Patent** (10) **Patent No.:** **US D920,232 S**  
**Lewis** (45) **Date of Patent:** **\*\* May 25, 2021**

(54) **TOILET PAPER HOLSTER CHARGING STATION**

2007/0011341 A1\* 1/2007 Liang ..... A47K 10/38  
709/230

(71) Applicant: **Brian Lewis**, Mount Union, PA (US)

2013/0334357 A1\* 12/2013 Huruse  
2018/0360206 A1\* 12/2018 Trujillo ..... A47K 10/22  
2020/0138249 A1\* 5/2020 Lewis ..... A47K 10/22

(72) Inventor: **Brian Lewis**, Mount Union, PA (US)

(\*\*) Term: **15 Years**

(21) Appl. No.: **29/682,844**

(22) Filed: **Mar. 8, 2019**

(51) **LOC (13) Cl.** ..... **13-02**

(52) **U.S. Cl.**

USPC ..... **D13/108**; D6/519

(58) **Field of Classification Search**

USPC ..... D13/103, 107–110, 118–119, 184, 199,  
D13/139.1, 139.4; D14/251, 253, 432,  
D14/434; D6/518, 523, 519

CPC ..... H02J 7/0026; H02J 7/0042; H02J 7/0044;  
H02J 7/0045; H02J 7/0013; H02J 7/0003;  
H02J 50/00; H02J 50/10; H02J 50/12;  
H02J 50/80; A47K 10/22; A47K 10/32;  
A47K 2010/3233

See application file for complete search history.

(56) **References Cited**

**U.S. PATENT DOCUMENTS**

D340,375	S	*	10/1993	Hines	.....	D6/523
5,318,356	A		6/1994	Shelton		
D415,642	S	*	10/1999	Daley	.....	D6/523
6,026,605	A		2/2000	Tippett		
6,427,606	B1		8/2002	Klotz		
6,642,450	B1		11/2003	Hsiao		
6,913,369	B2		7/2005	Chadwick		
6,959,890	B1	*	11/2005	Breitinger	.....	A47K 10/38 221/199
D512,253	S	*	12/2005	Hoernig	.....	D6/523
D529,320	S	*	10/2006	Corral	.....	D6/518
D559,598	S	*	1/2008	Bickler	.....	D6/523
D572,514	S	*	7/2008	Bickler	.....	D6/518
D832,610	S	*	11/2018	Abbott	.....	D6/523
D874,404	S	*	2/2020	Byrne	.....	D13/139.4
10,856,706	B2	*	12/2020	Lewis	.....	A47K 10/22

**OTHER PUBLICATIONS**

“iCarta Stereo Dock for iPod with Bath Tissue Holder”, published Sep. 22, 2006. [Retrieved on Jan. 2, 2021] URL: <[https://the-gadgeteer.com/2006/09/22/icarta\\_stereo\\_dock\\_for\\_ipod\\_with\\_bath\\_tissue\\_holder/](https://the-gadgeteer.com/2006/09/22/icarta_stereo_dock_for_ipod_with_bath_tissue_holder/)> (Year: 2006).\*

\* cited by examiner

*Primary Examiner* — Rosemary K Tarcza

(74) *Attorney, Agent, or Firm* — Boudwin Intellectual Property; Daniel Boudwin

(57) **CLAIM**

The ornamental design for a toilet paper holster charging station, as shown and described.

**DESCRIPTION**

FIG. 1 shows a perspective view of a toilet paper holster charging station;

FIG. 2 shows a front view of the toilet paper holster charging station;

FIG. 3 shows a rear view of the toilet paper holster charging station;

FIG. 4 shows a right side view of the toilet paper holster charging station;

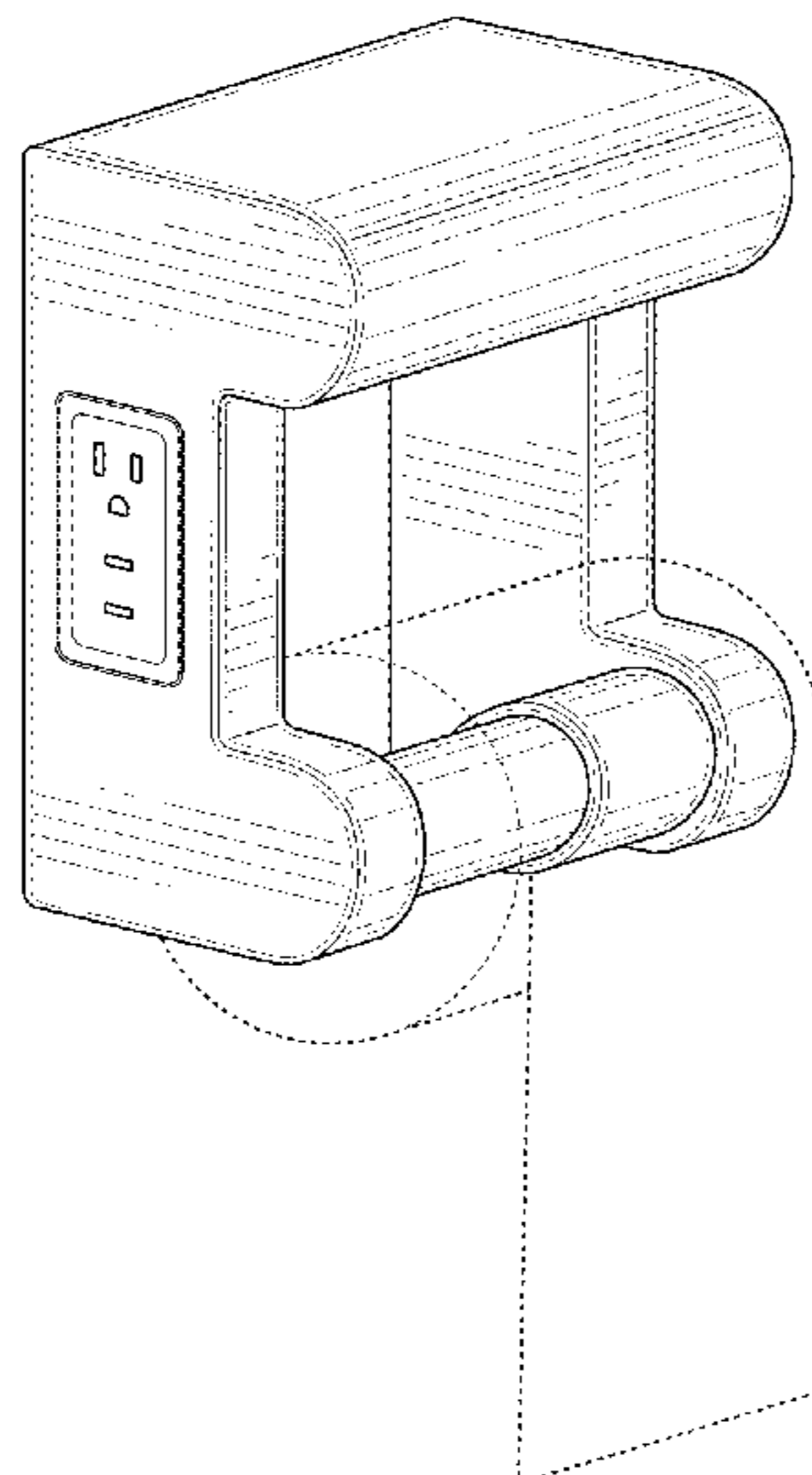
FIG. 5 shows a left side view of the toilet paper holster charging station;

FIG. 6 shows a top plan view of the toilet paper holster charging station; and,

FIG. 7 shows a bottom plan view of the toilet paper holster charger station.

The shade lines in the Figures show contour and not surface ornamentation.

**1 Claim, 4 Drawing Sheets**



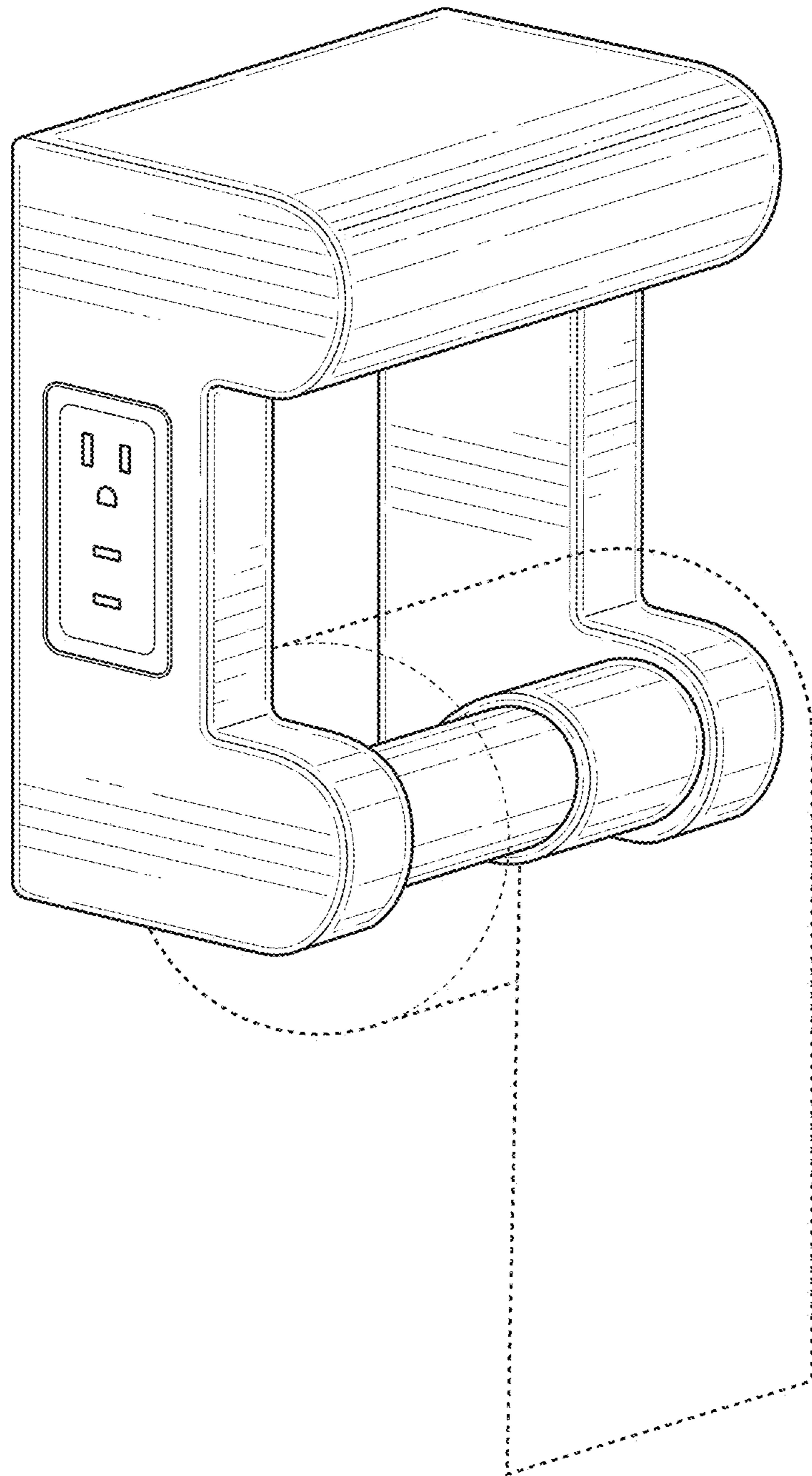


FIG. 1

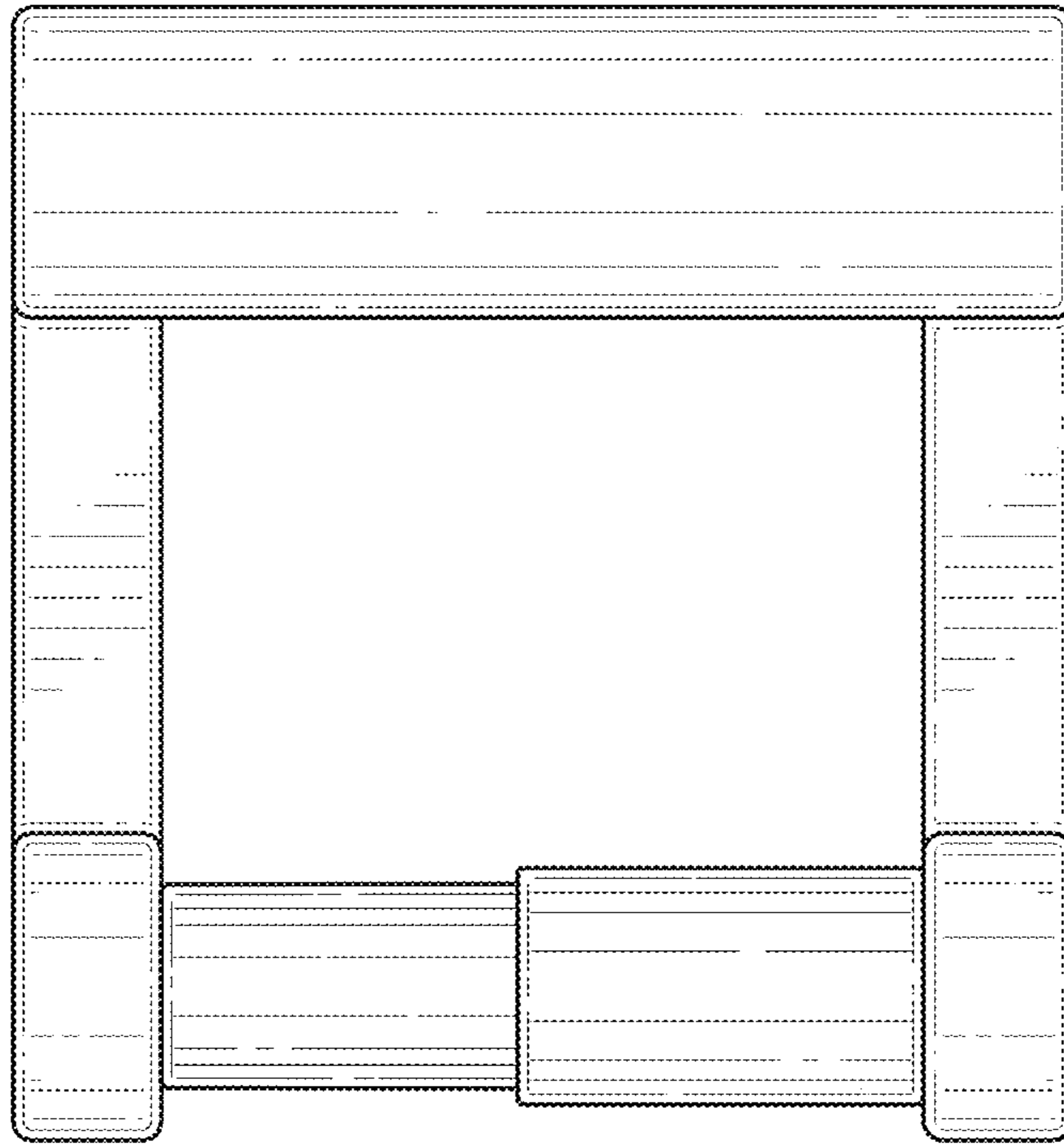


FIG. 2

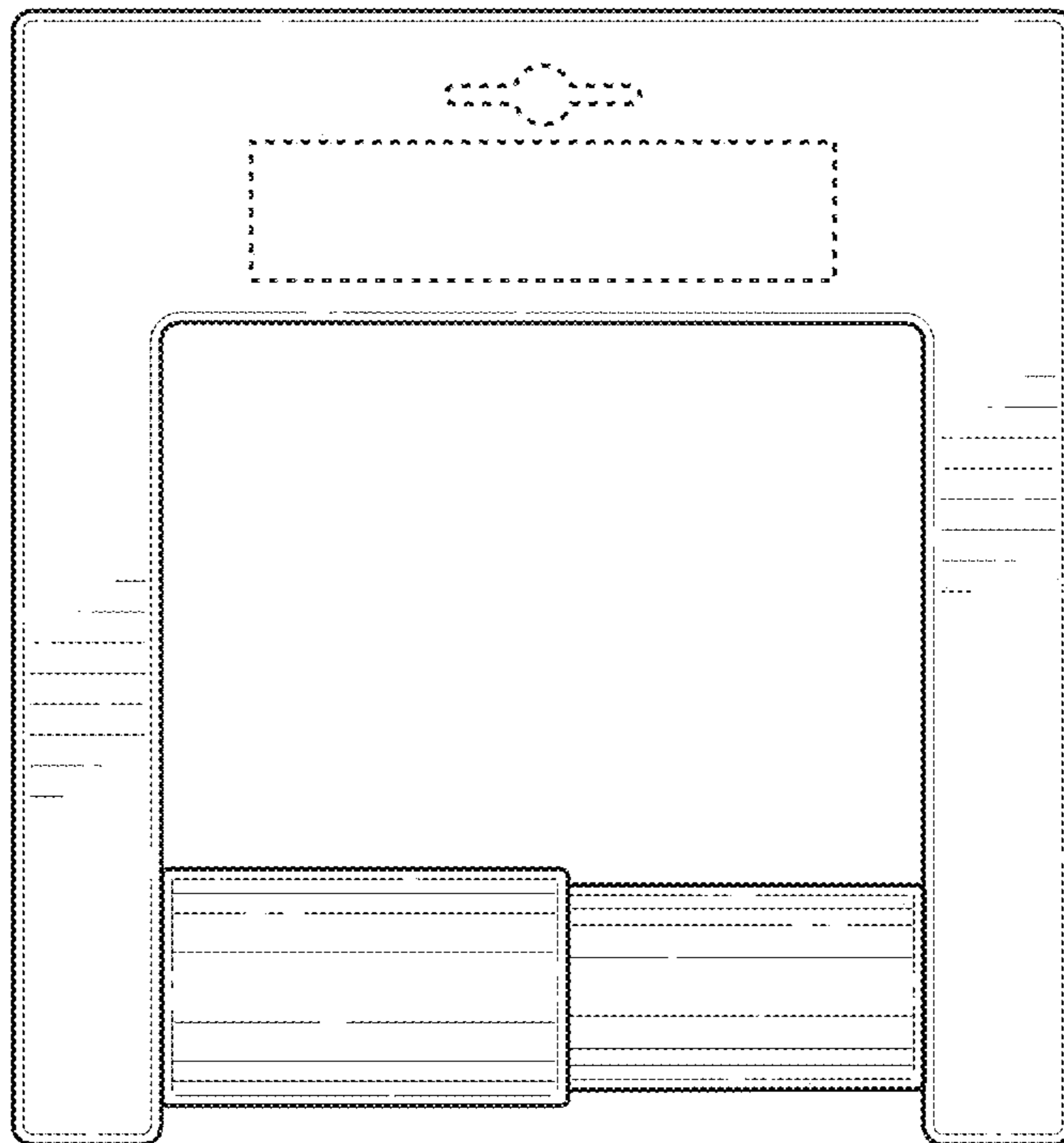
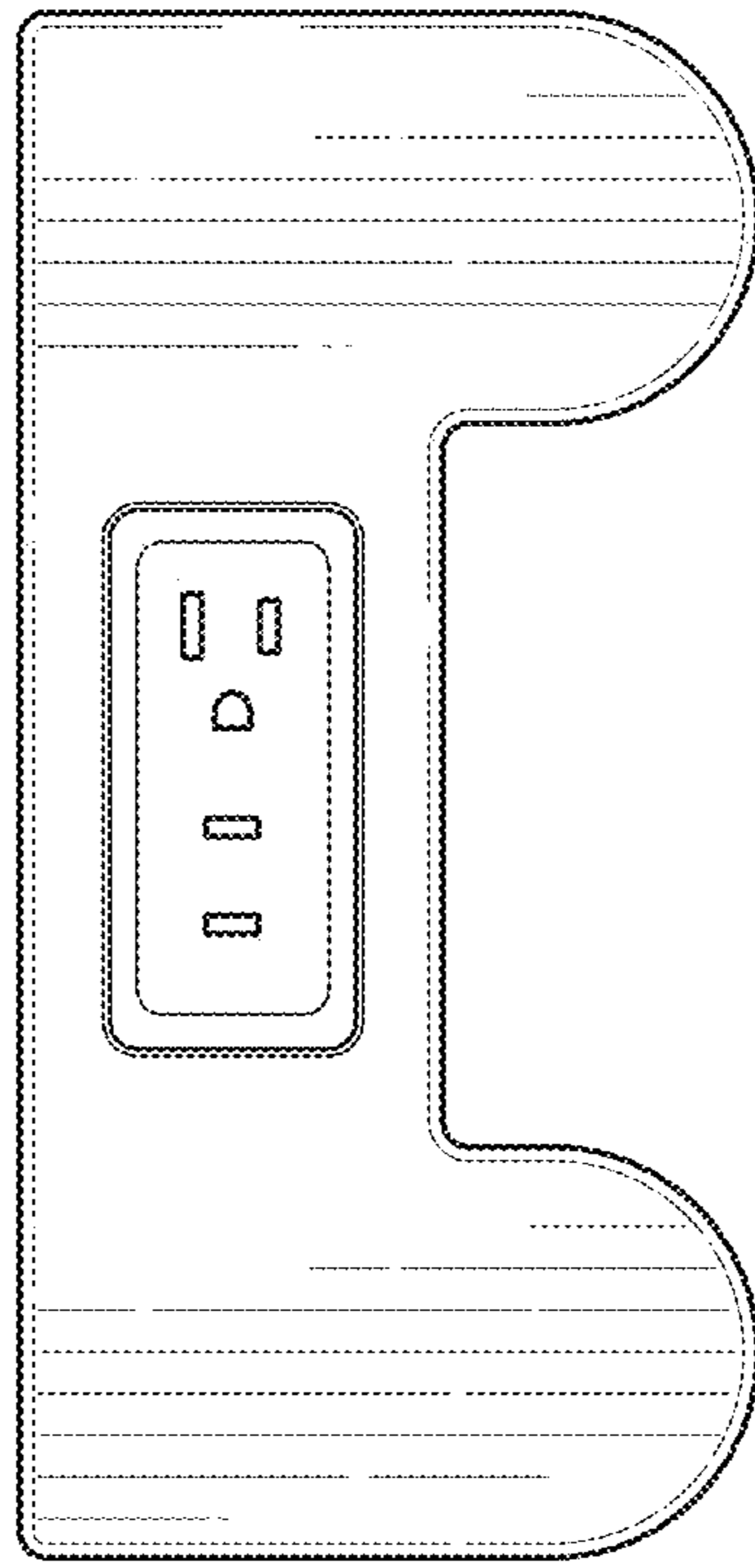
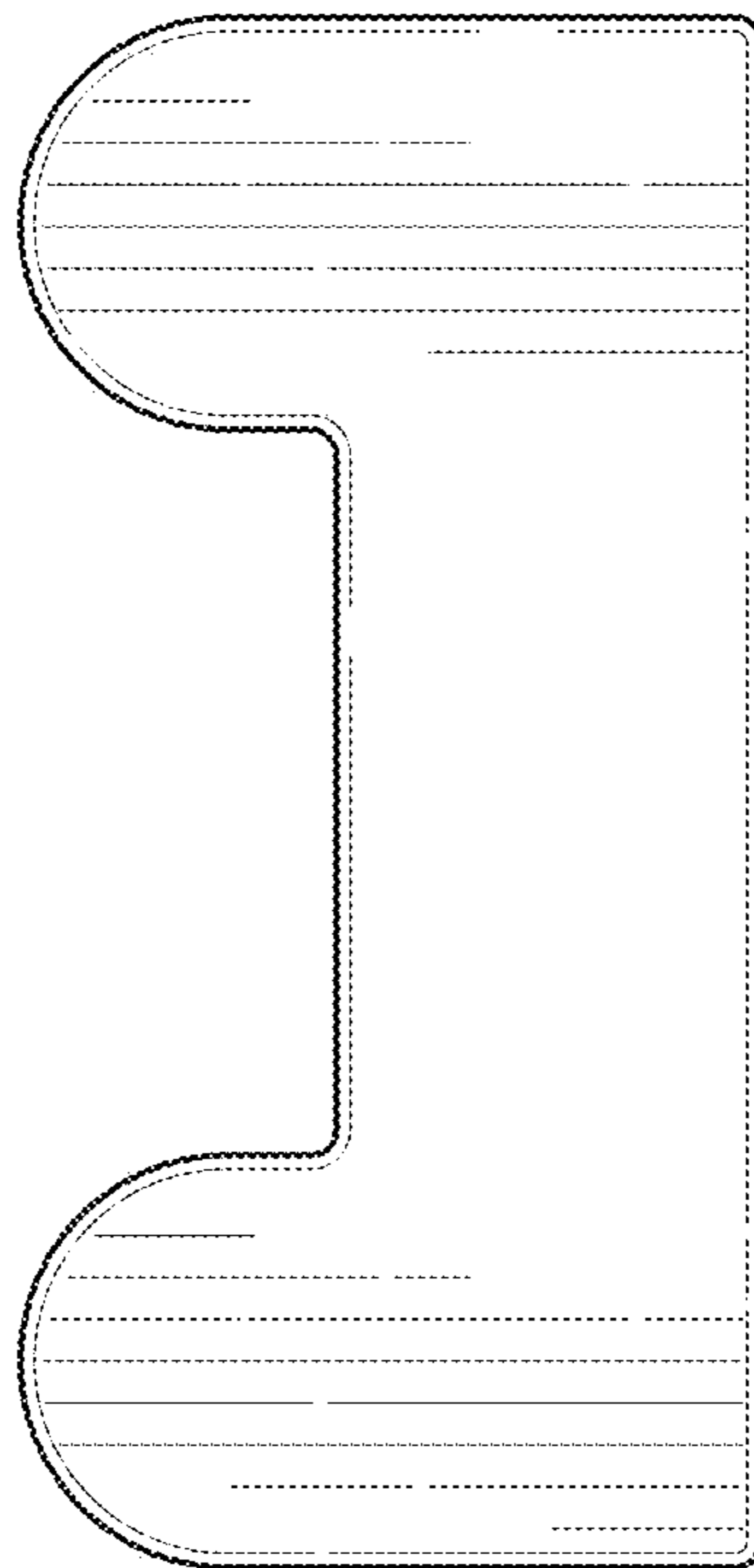


FIG. 3



**FIG. 4**



**FIG. 5**

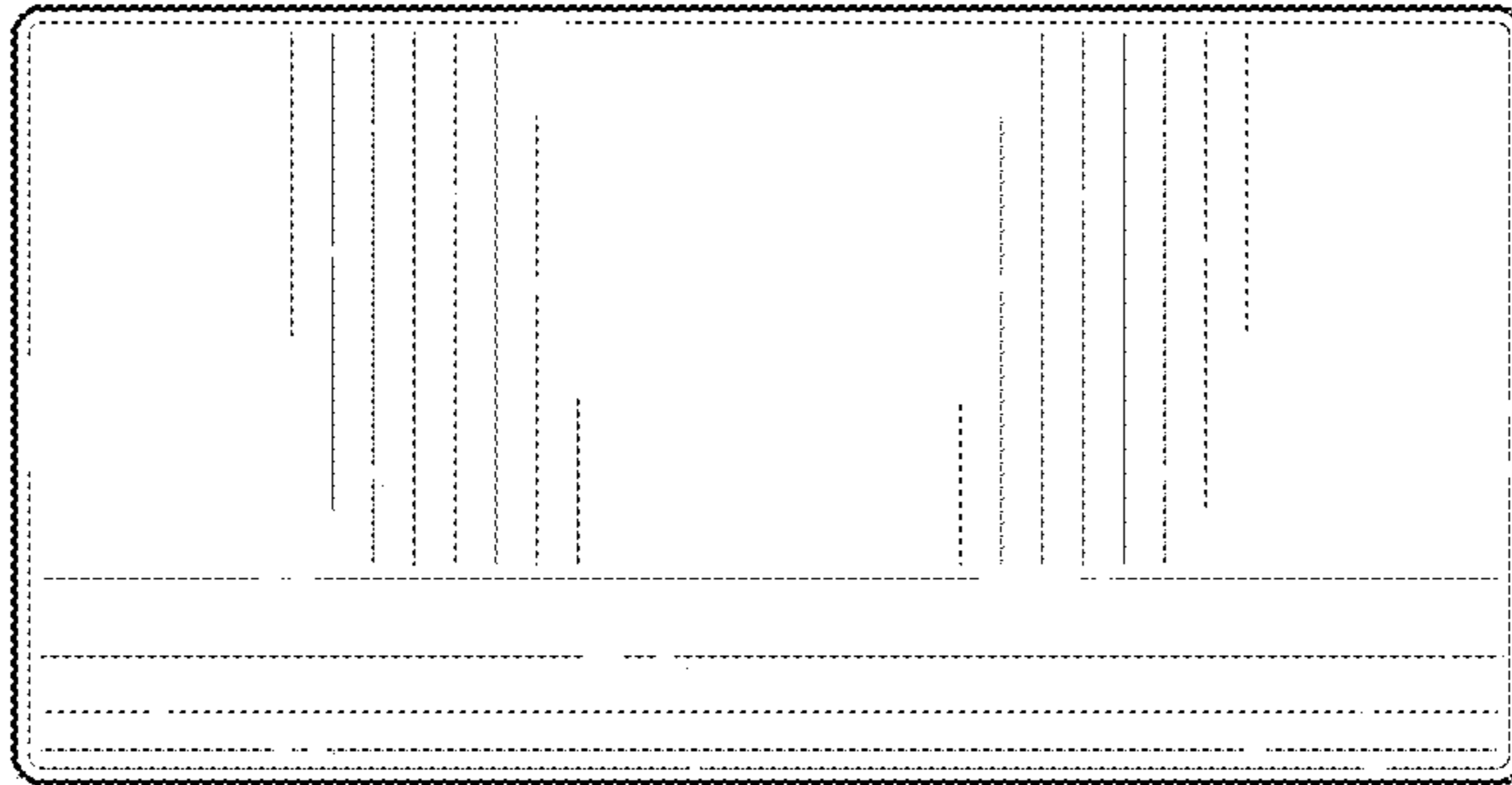


FIG. 6

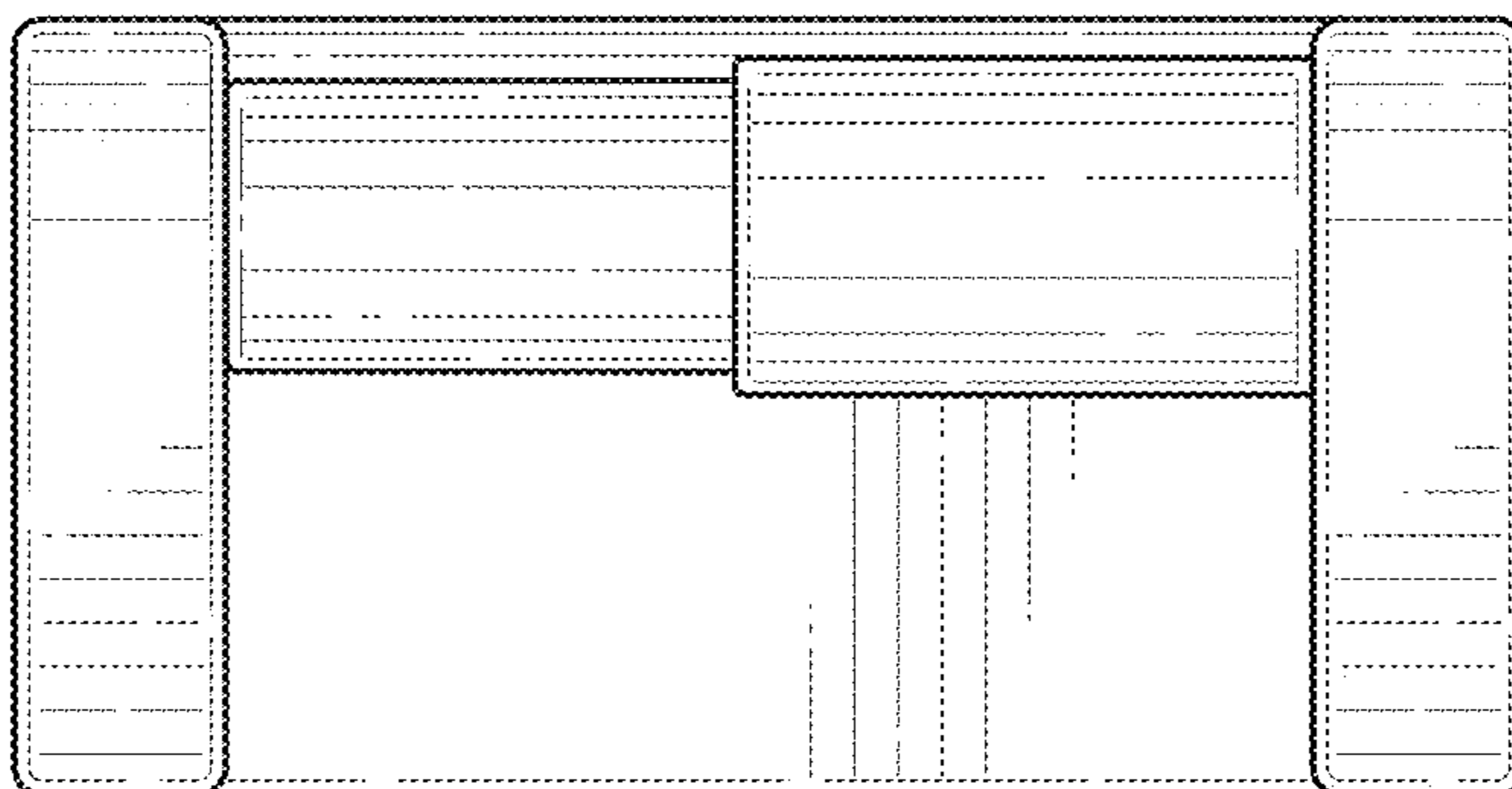


FIG. 7