



US00D920231S

(12) **United States Design Patent**  
**Saito**

(10) **Patent No.:** **US D920,231 S**  
(45) **Date of Patent:** **\*\* May 25, 2021**

(54) **BATTERY PACK FOR A CAMERA**  
(71) Applicant: **Nikon Corporation**, Tokyo (JP)  
(72) Inventor: **Yoshihisa Saito**, Kawasaki (JP)  
(73) Assignee: **Nikon Corporation**, Tokyo (JP)  
(\*\*) Term: **15 Years**

4,350,424 A \* 9/1982 Iwashita ..... G03B 17/425  
396/388  
D270,916 S \* 10/1983 Cheplo ..... D16/243  
D283,624 S \* 4/1986 Maitani ..... D16/219  
5,325,143 A \* 6/1994 Kawano ..... G03B 17/02  
396/420  
D427,223 S \* 6/2000 Shimamura ..... D16/242  
(Continued)

(21) Appl. No.: **29/699,384**  
(22) Filed: **Jul. 25, 2019**

**FOREIGN PATENT DOCUMENTS**

JP D1096694 S 1/2001  
JP D1533328 S 9/2015  
(Continued)

(30) **Foreign Application Priority Data**

Jan. 31, 2019 (JP) ..... 2019-001922

(51) **LOC (13) Cl.** ..... **13-02**

(52) **U.S. Cl.**  
USPC ..... **D13/103; D16/237**

(58) **Field of Classification Search**  
USPC ..... D13/102-106, 110, 118-119, 154, 156,  
D13/184; D16/219, 237, 242  
CPC ..... Y02E 60/12; Y02E 60/122; Y02E 60/124;  
Y02E 60/50; H01M 2/02; H01M 2/022;  
H01M 2/0202; H01M 2/0207; H01M  
2/0212; H01M 2/1061; H01M 2/1022;  
H01M 2/1055; H01M 2/1066; H01M  
2/105; H01M 2/204; H01M 10/4257;  
H01M 10/0436; H01M 10/48; G03B  
17/02; G03B 17/42

See application file for complete search history.

*Primary Examiner* — Catherine S Posthauer  
*Assistant Examiner* — Alison M Ofstun  
(74) *Attorney, Agent, or Firm* — Wolf, Greenfield &  
Sacks, P.C.

(56) **References Cited**

**U.S. PATENT DOCUMENTS**

3,820,148 A \* 6/1974 Osanai ..... G03B 17/425  
396/387  
4,167,314 A \* 9/1979 Ichiyangi ..... G03B 17/425  
396/284  
4,294,530 A \* 10/1981 Iwashita ..... G03B 17/425  
396/284

(57) **CLAIM**

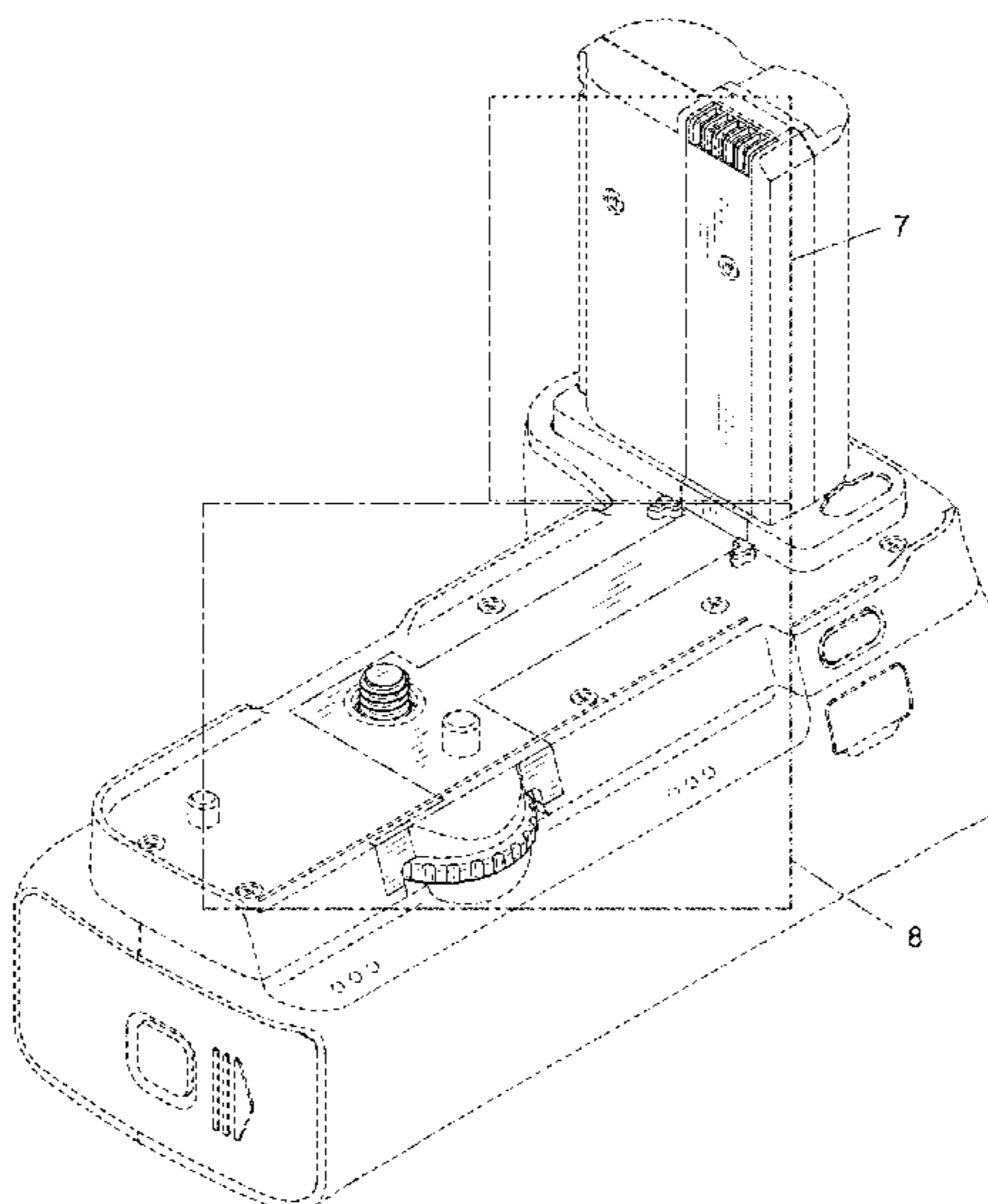
The ornamental design for a battery pack for a camera, as shown and described.

**DESCRIPTION**

FIG. 1 is a rear perspective view of a battery pack for a camera showing my new design;  
FIG. 2 is a front view thereof;  
FIG. 3 is a rear view thereof;  
FIG. 4 is a top plan view thereof;  
FIG. 5 is a right side view thereof;  
FIG. 6 is a left side view thereof;  
FIG. 7 is an enlarged view thereof, of portion “7” shown in FIG. 1; and,  
FIG. 8 is an enlarged view thereof, of portion “8” shown in FIG. 1.

In the drawings, the dash-dash broken lines illustrate portions of the battery pack for a camera which form no part of the claimed design. The dash-dotted lines illustrate a boundary to the claimed design, and enlarged view indicator and form no part thereof.

**1 Claim, 8 Drawing Sheets**



(56)

**References Cited**

U.S. PATENT DOCUMENTS

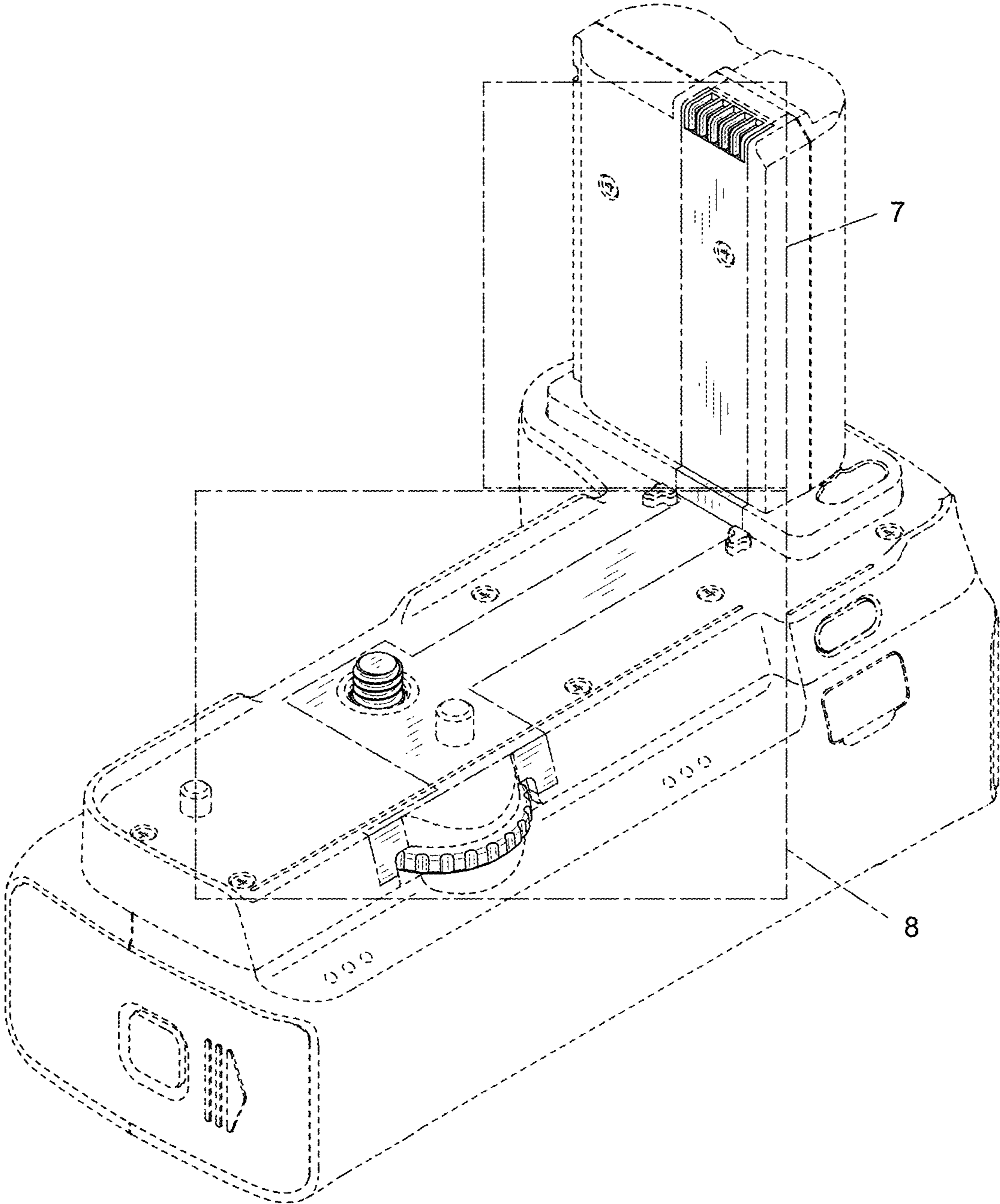
6,169,857 B1 \* 1/2001 Kaneko ..... G03B 17/00  
396/301  
6,327,441 B1 \* 12/2001 Alligood ..... G03B 17/02  
396/442  
D456,348 S \* 4/2002 Funakoshi ..... D13/103  
D481,007 S \* 10/2003 Takahashi ..... D13/103  
D496,332 S \* 9/2004 Naito ..... D13/103  
D745,080 S \* 12/2015 Masano ..... D16/237  
D842,359 S \* 3/2019 Imai ..... D16/237  
D845,377 S \* 4/2019 Masano ..... D16/242  
D895,715 S \* 9/2020 Imamizu ..... D16/237  
2005/0281554 A1 \* 12/2005 Iwasa ..... G03B 17/56  
396/539  
2019/0377243 A1 \* 12/2019 Chishima ..... H04N 5/2252

FOREIGN PATENT DOCUMENTS

JP D1573553 S 4/2017  
JP D1631549 S 5/2019

\* cited by examiner

FIG.1



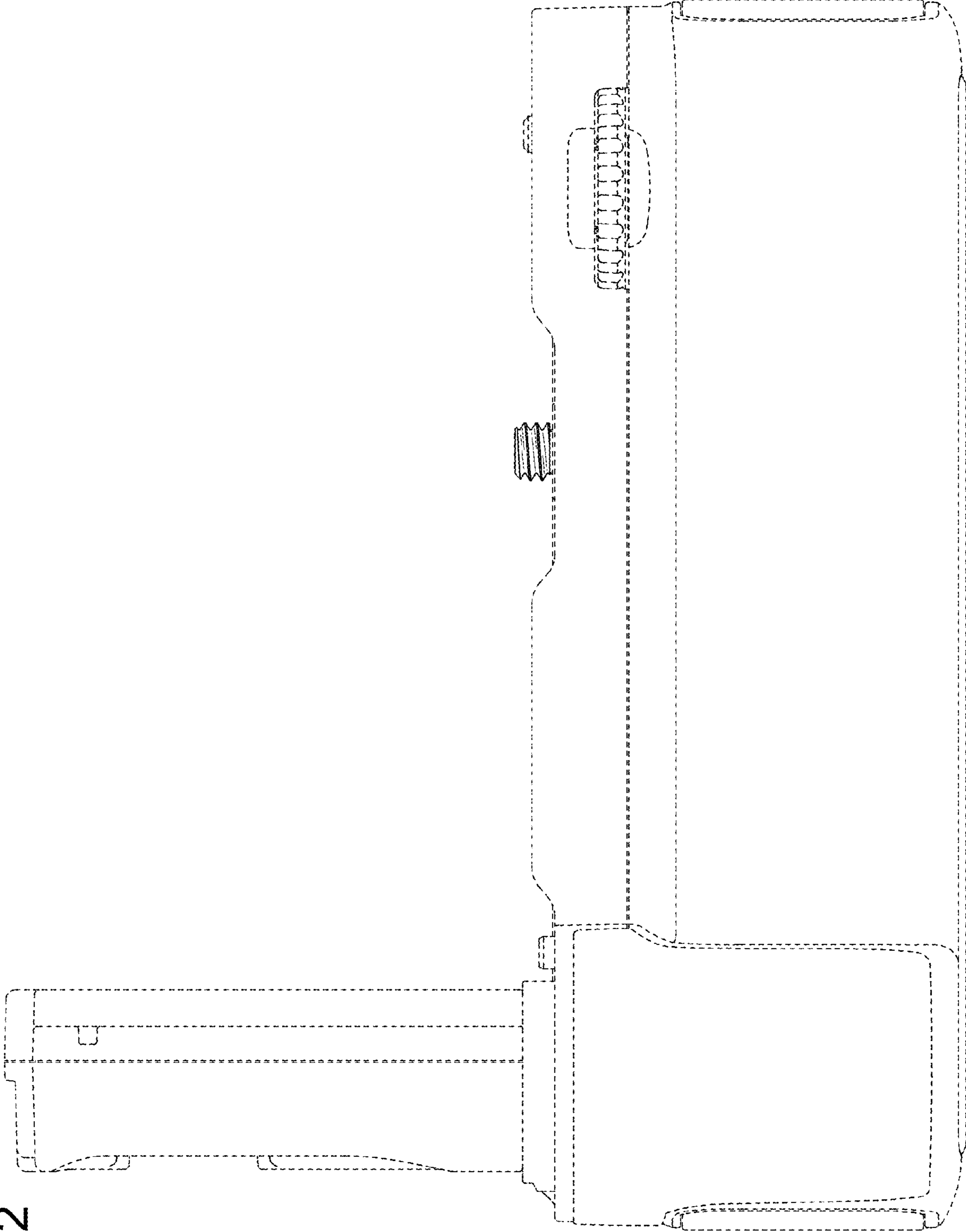


FIG.2

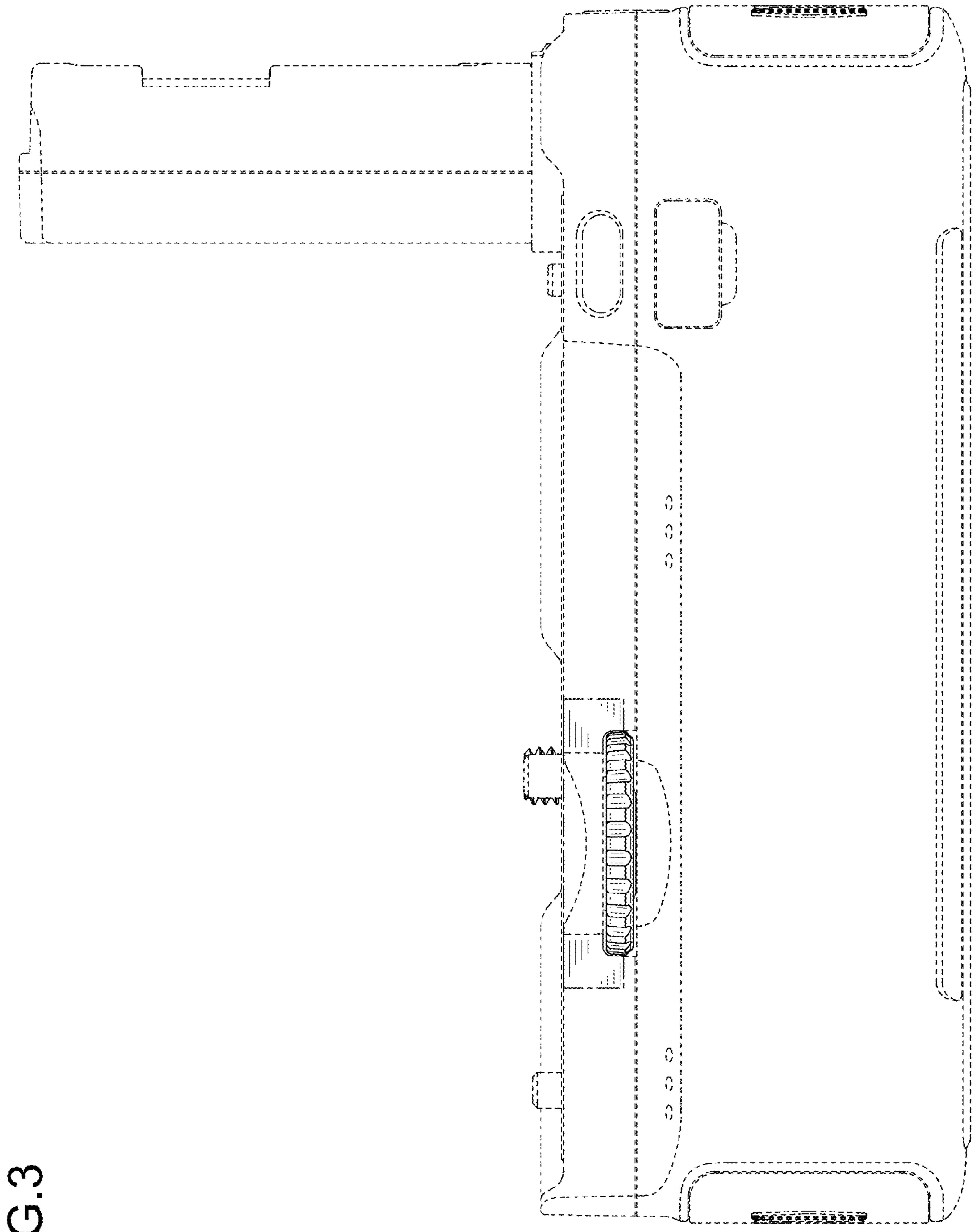


FIG.3

FIG.4

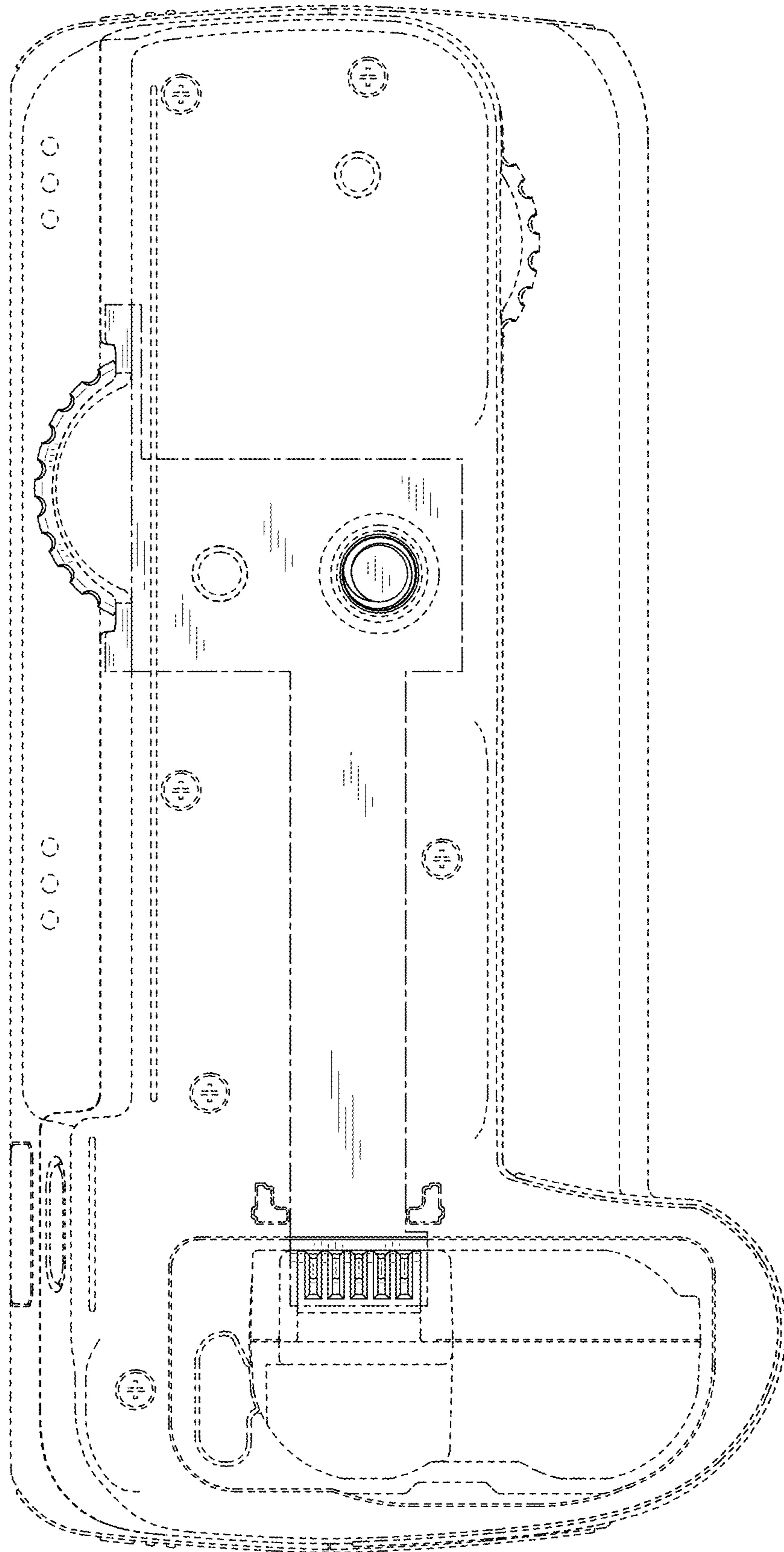


FIG.5

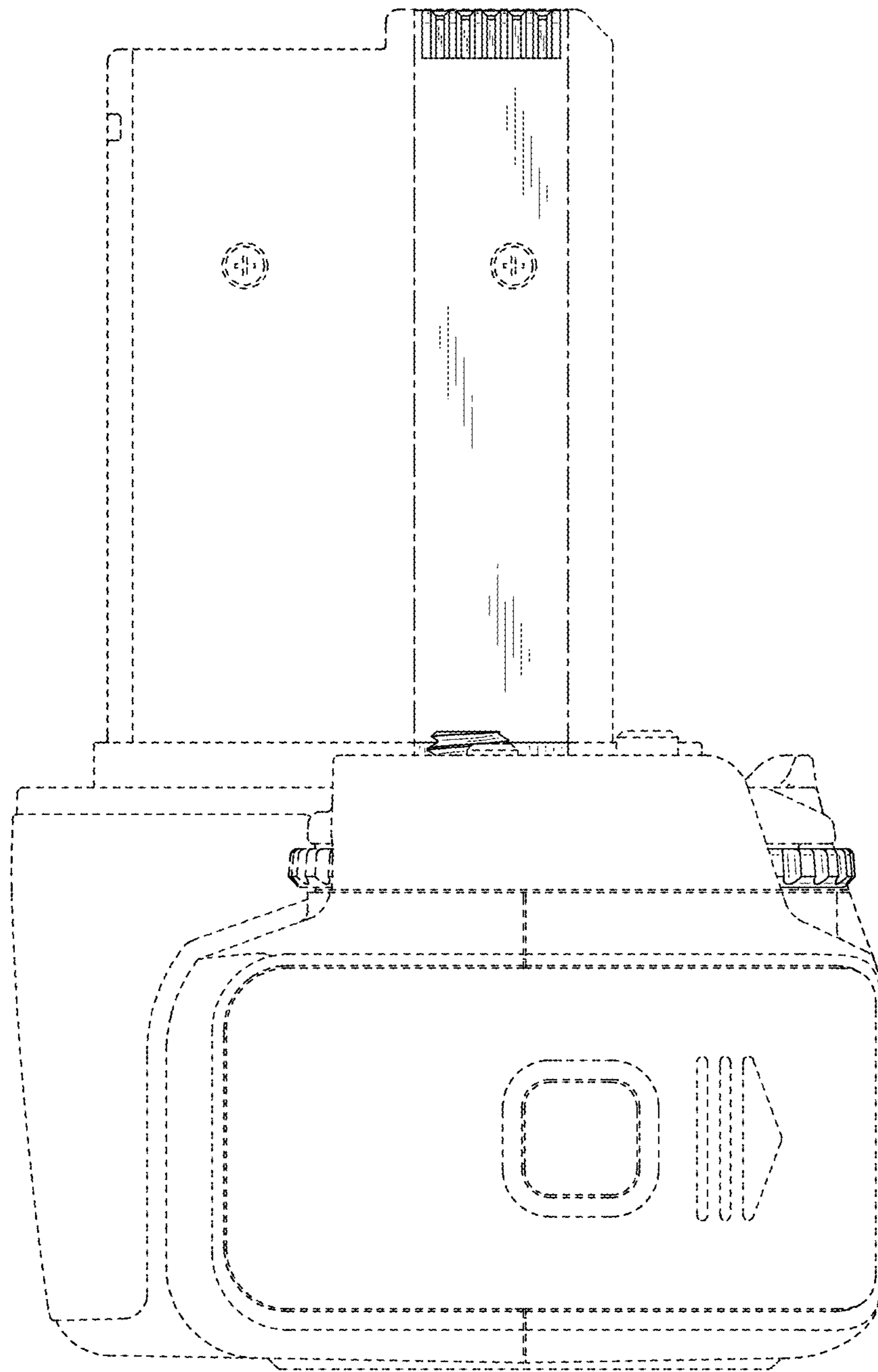


FIG.6

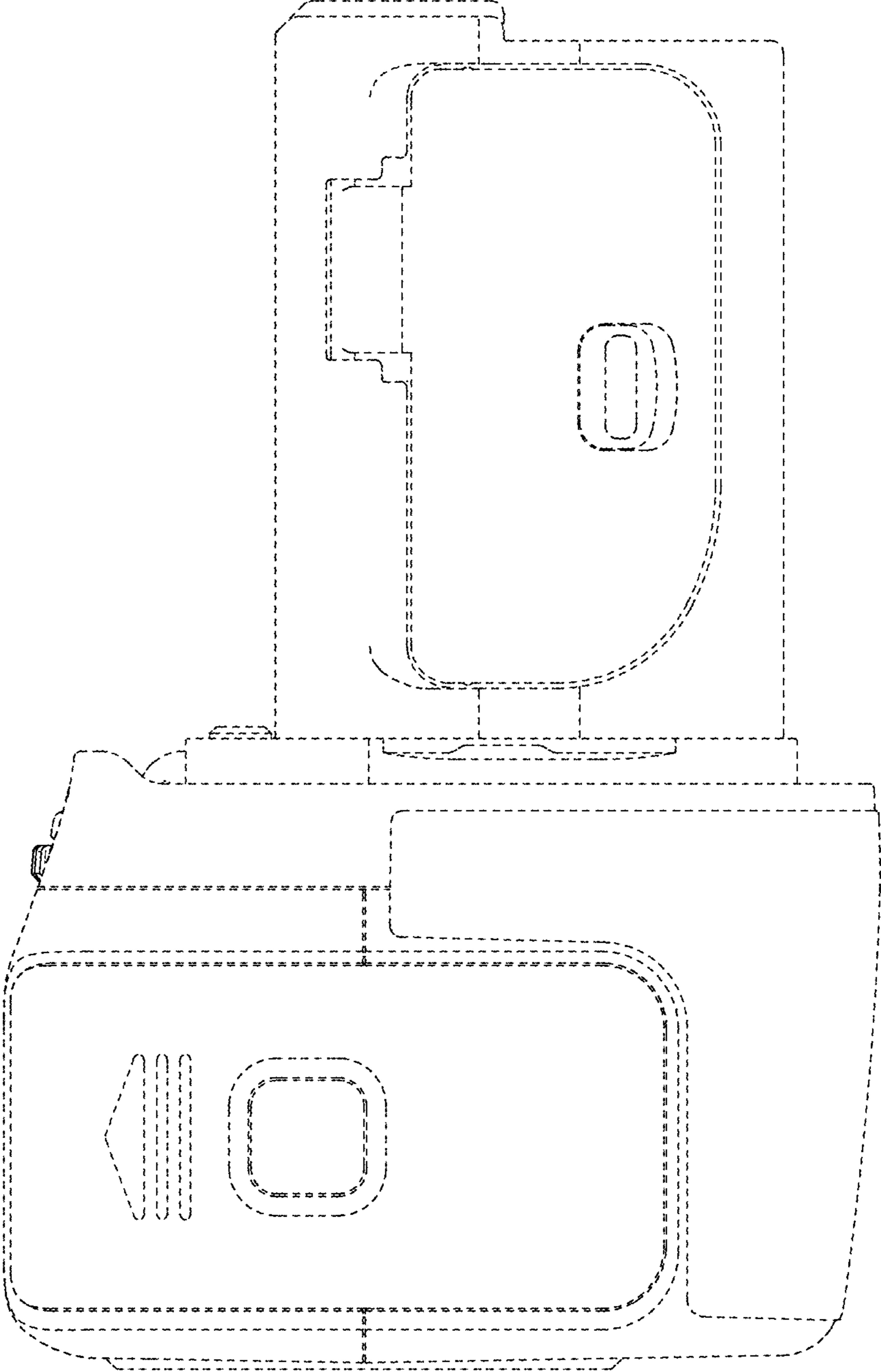
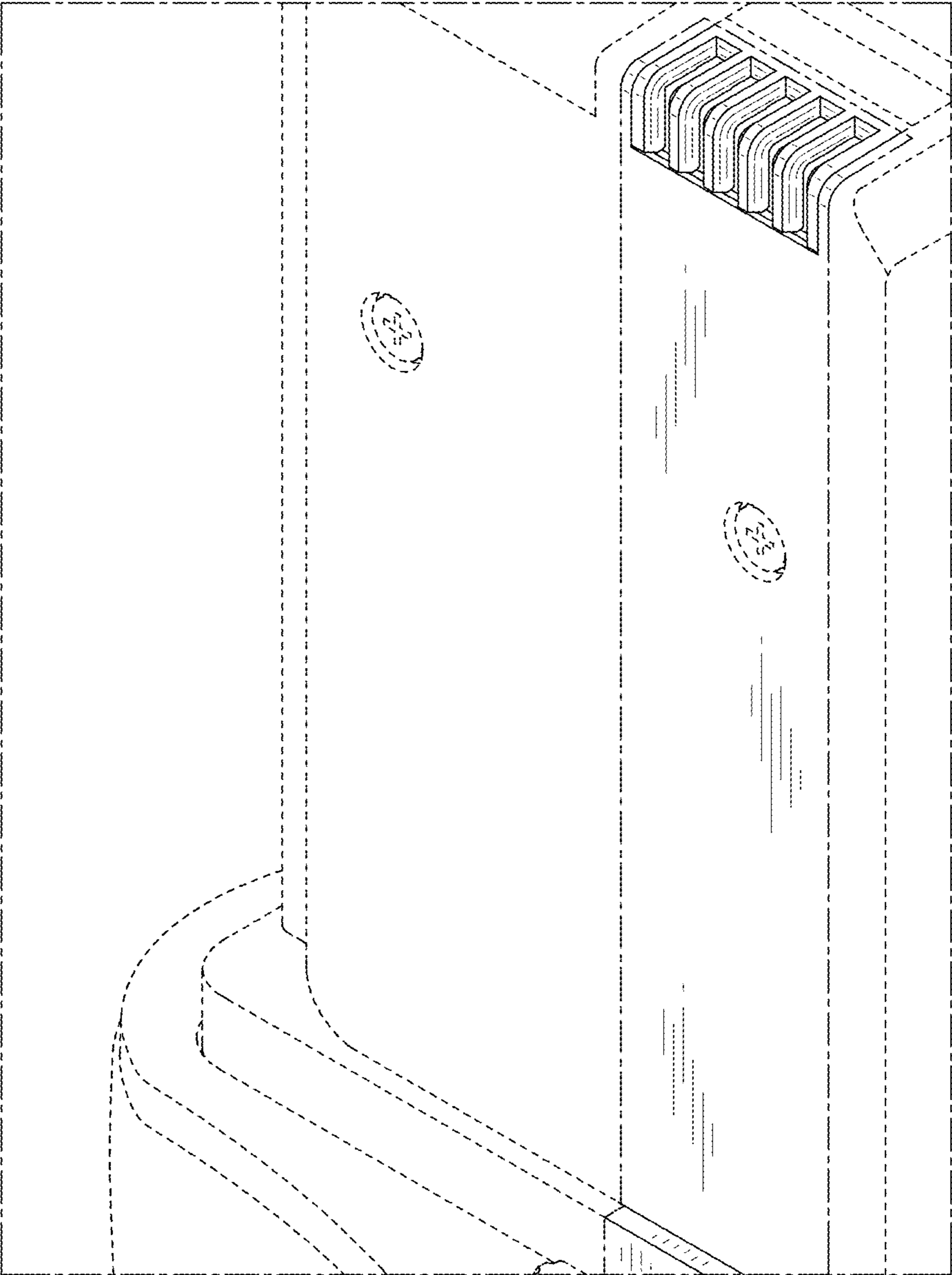




FIG.7



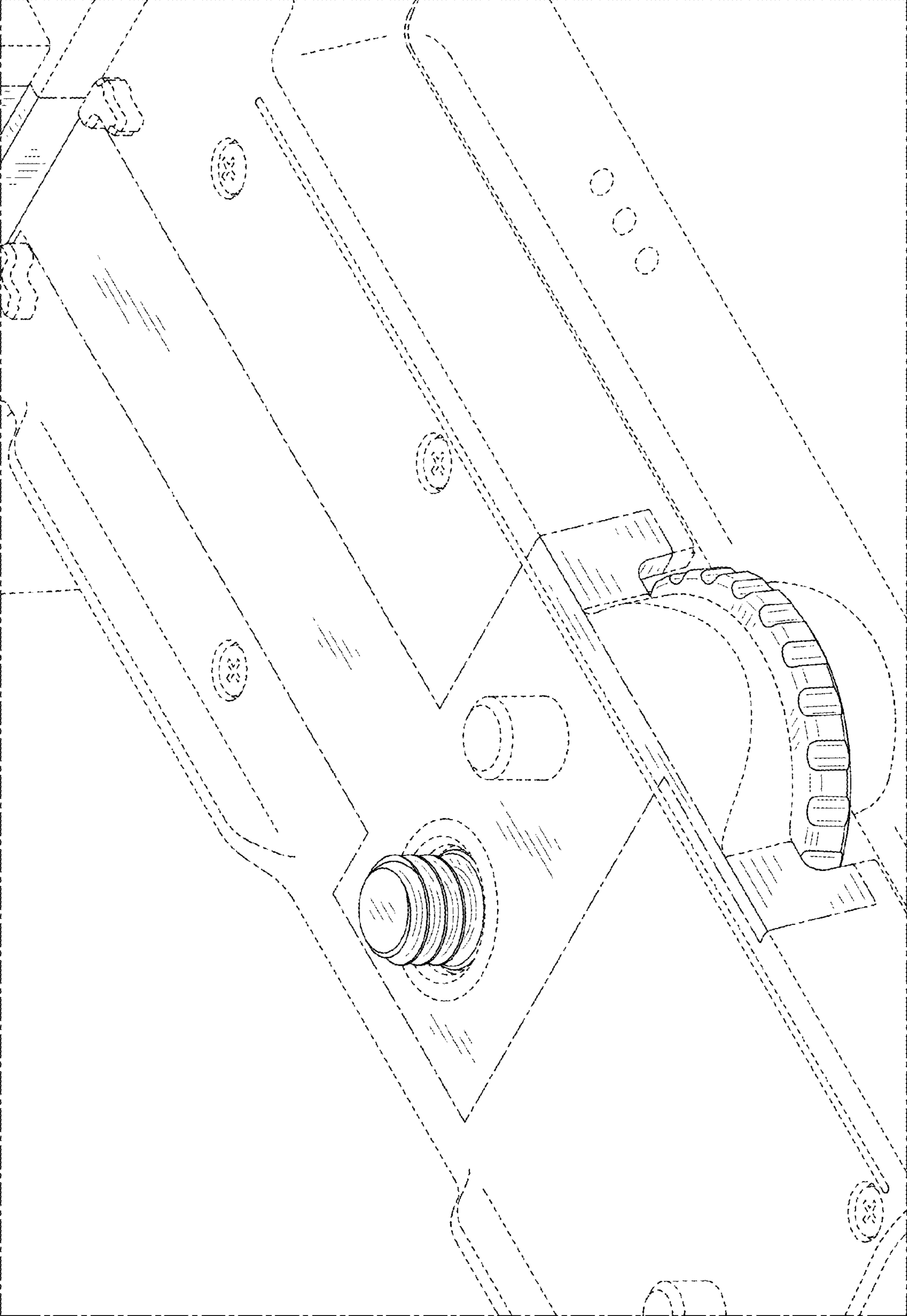


FIG.8