



US00D920230S

(12) **United States Design Patent**  
**Park et al.**

(10) **Patent No.:** **US D920,230 S**

(45) **Date of Patent:** **\*\* May 25, 2021**

(54) **FRONT COVER FOR BATTERY MODULE**

(71) Applicant: **LG Chem, Ltd.**, Seoul (KR)

(72) Inventors: **Do-Hyun Park**, Daejeon (KR);  
**Jung-Min Kwak**, Daejeon (KR);  
**Young-Ho Lee**, Daejeon (KR);  
**Jong-Ha Jeong**, Daejeon (KR)

(73) Assignee: **LG Chem, Ltd.**

(\*\*) Term: **15 Years**

(21) Appl. No.: **29/696,252**

(22) Filed: **Jun. 26, 2019**

(30) **Foreign Application Priority Data**

Dec. 26, 2018 (KR) ..... 30-2018-0061682

(51) **LOC (13) Cl.** ..... **13-02**

(52) **U.S. Cl.**  
USPC ..... **D13/103; D13/119**

(58) **Field of Classification Search**  
USPC ..... D13/103, 104, 118, 119, 120, 121, 154,  
D13/184, 199

CPC .... H01M 50/20; H01M 50/502; H01M 2/206;  
H01M 2/34; H02G 5/02; H02G 5/04  
See application file for complete search history.

(56) **References Cited**

**U.S. PATENT DOCUMENTS**

D623,127 S \* 9/2010 Seyama ..... D13/104  
8,663,830 B2 \* 3/2014 Hsiao ..... H01M 10/6557  
429/120  
8,835,037 B2 \* 9/2014 Nguyen ..... H01M 50/20  
429/120  
D756,912 S \* 5/2016 Sato ..... D13/104  
D763,193 S \* 8/2016 Tyler ..... D13/119  
D764,402 S \* 8/2016 Rowe ..... D13/103

D810,683 S \* 2/2018 DeKeuster ..... D13/119  
9,929,427 B2 \* 3/2018 Lee ..... H01M 50/20  
9,978,998 B2 \* 5/2018 Choi ..... H01M 10/647  
10,355,255 B2 \* 7/2019 Seo ..... H01M 50/20  
10,396,406 B2 \* 8/2019 Lee ..... H01M 10/0525  
D858,434 S \* 9/2019 Park, II ..... D13/103  
10,411,309 B2 \* 9/2019 Yun ..... H01M 50/20  
10,446,815 B2 \* 10/2019 An ..... H01M 50/20  
10,497,910 B2 \* 12/2019 Lee ..... H01M 50/20  
D879,032 S \* 3/2020 Yang ..... D13/103  
D879,033 S \* 3/2020 Yoon ..... D13/103  
10,601,003 B2 \* 3/2020 Yang ..... H01M 50/116  
10,647,206 B2 \* 5/2020 Kim ..... H01M 50/20  
10,777,860 B2 \* 9/2020 Jo ..... H01M 10/613  
10,797,280 B2 \* 10/2020 Peng ..... H01M 50/20  
10,897,033 B2 \* 1/2021 Lee ..... H01M 10/0525  
2014/0087221 A1 \* 3/2014 Kim ..... H01M 10/482  
429/90

\* cited by examiner

*Primary Examiner* — Selina Sikder

(74) *Attorney, Agent, or Firm* — Lerner, David,  
Littenberg, Krumholz & Mentlik, LLP

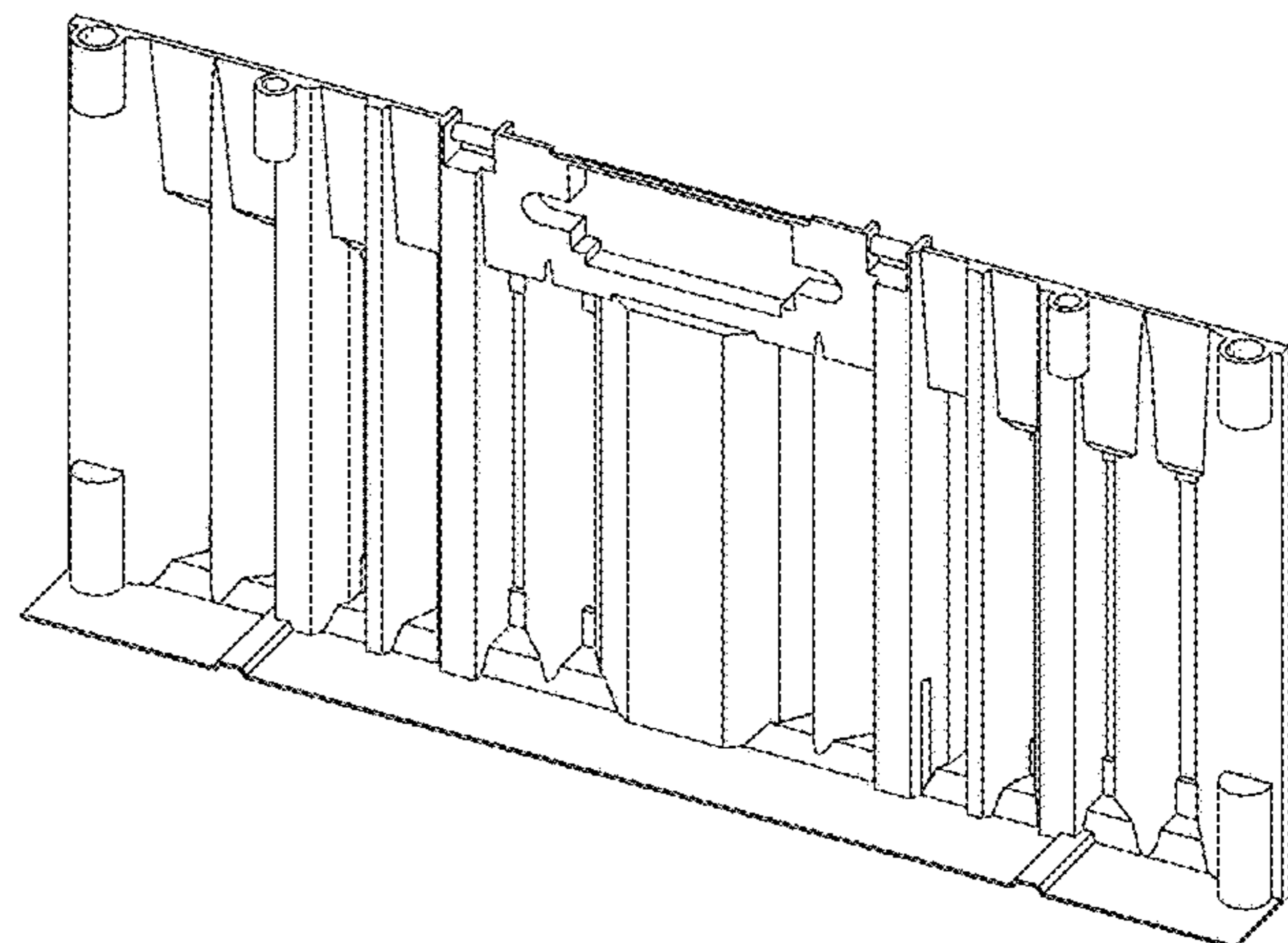
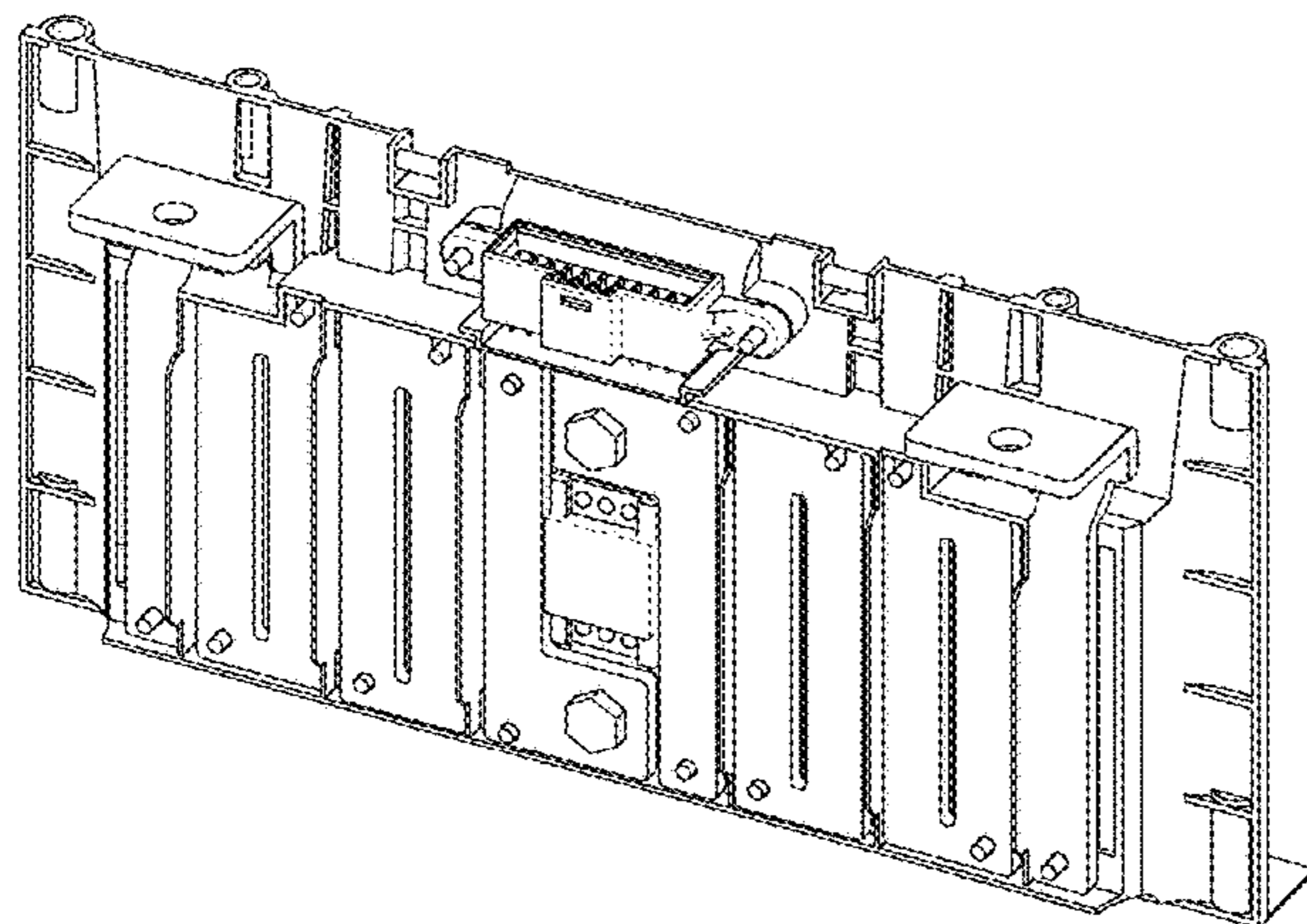
(57) **CLAIM**

The ornamental design for a front cover for battery module,  
as shown and described.

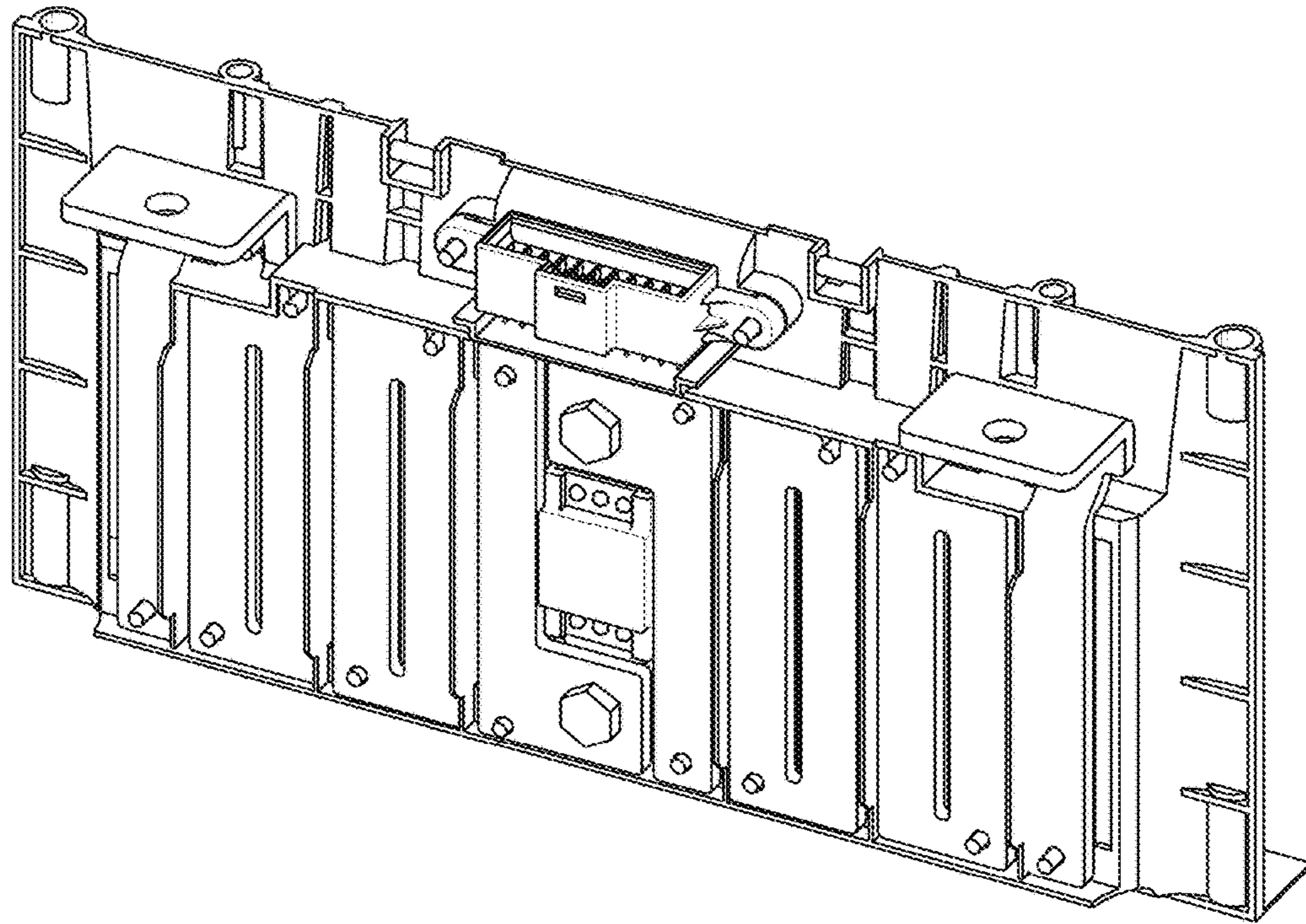
**DESCRIPTION**

FIG. 1 is a front perspective view of a front cover for battery module according to our design;  
FIG. 2 is a front view thereof;  
FIG. 3 is a rear view thereof;  
FIG. 4 is a left side view thereof;  
FIG. 5 is a right side view thereof;  
FIG. 6 is a top view thereof;  
FIG. 7 is a bottom view thereof;  
FIG. 8 is a rear perspective view thereof; and,  
FIG. 9 is an enlarged detail perspective view of area 9 circumscribed within FIG. 6.

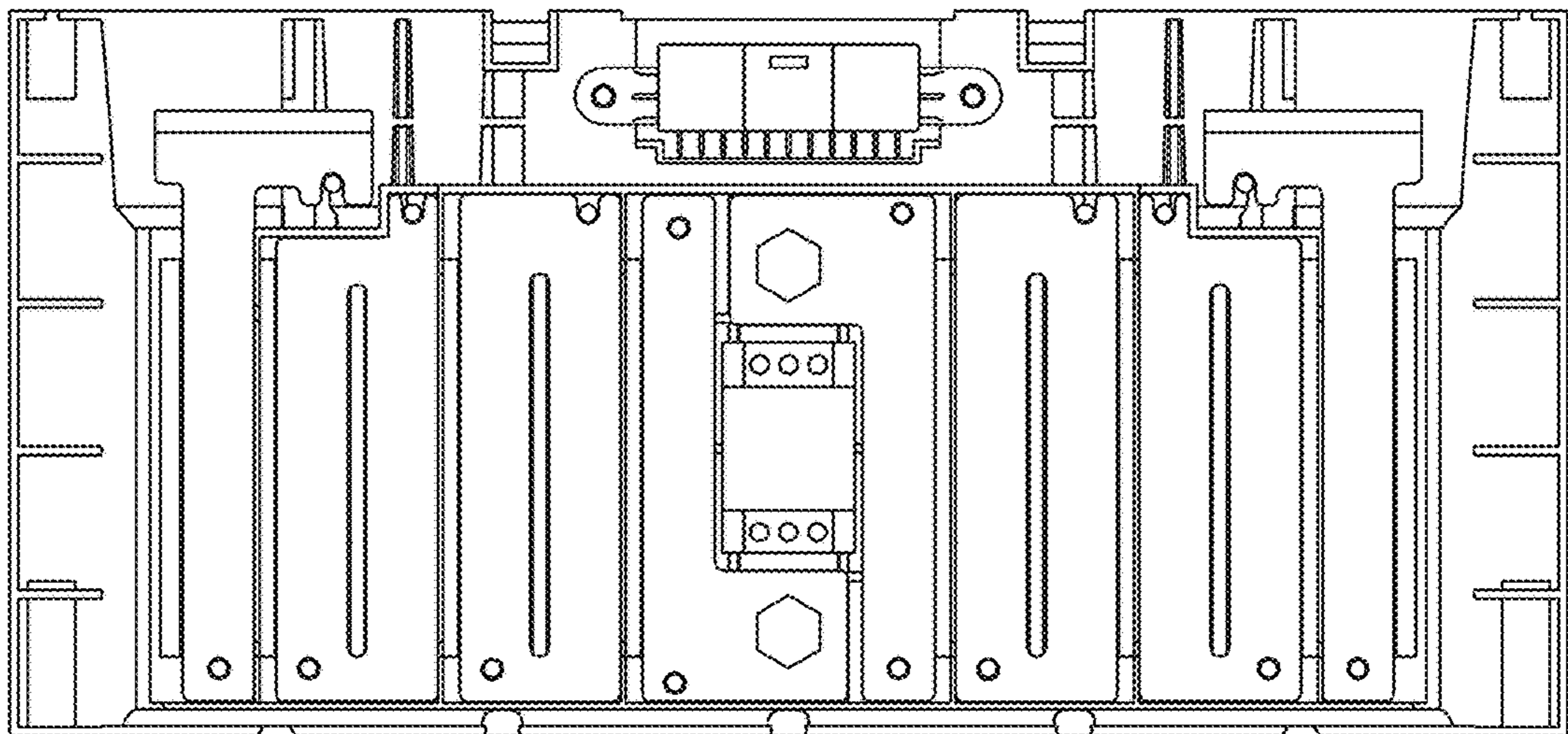
**1 Claim, 5 Drawing Sheets**



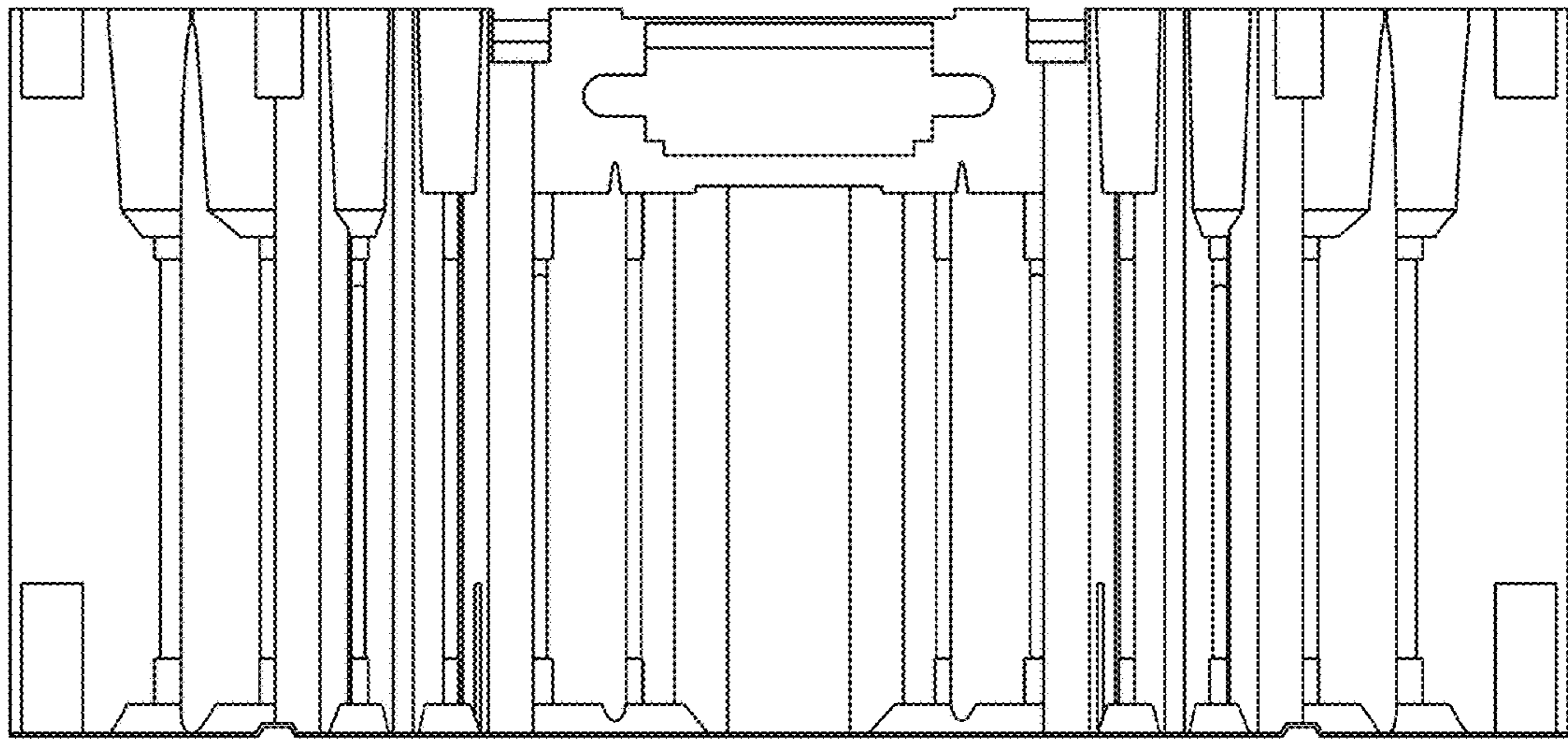
【FIG. 1】



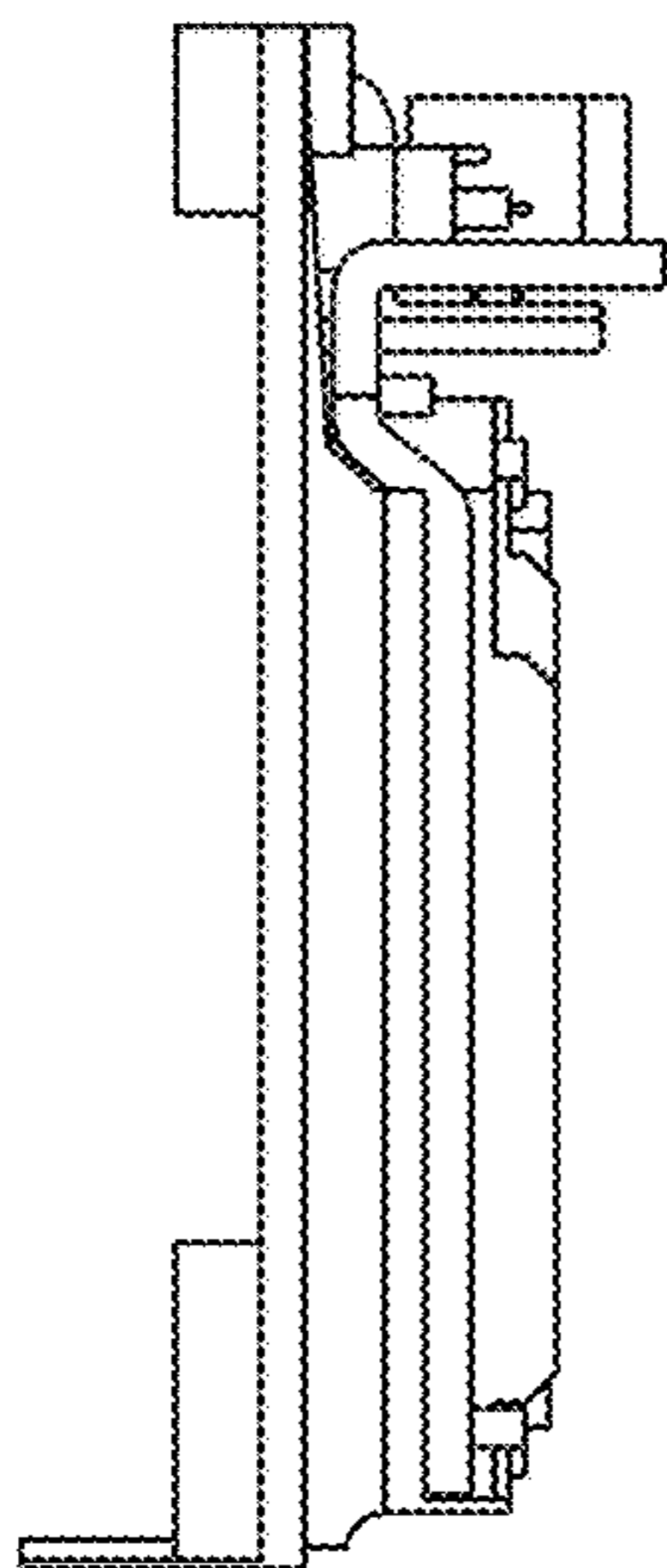
【FIG. 2】



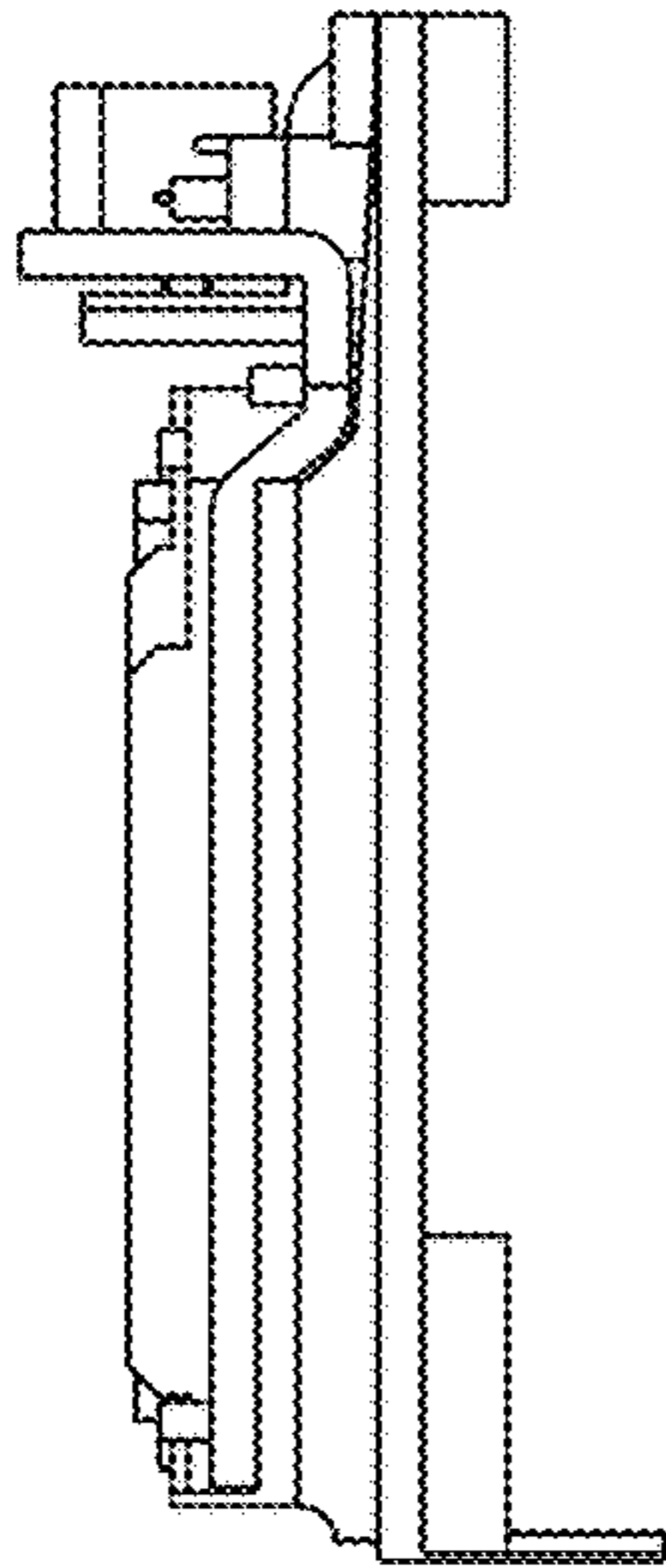
【FIG. 3】



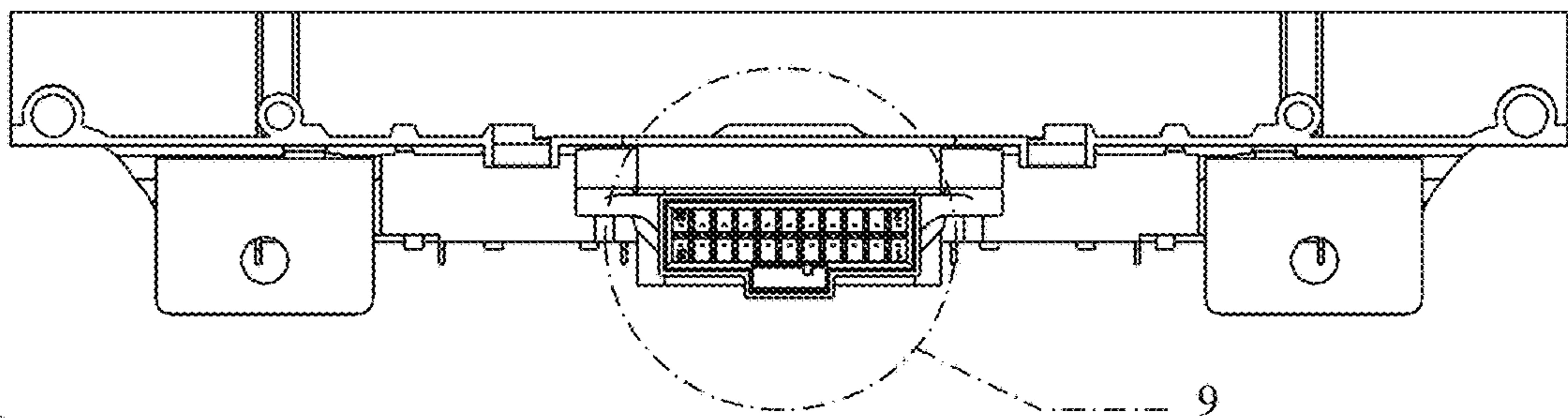
【FIG. 4】



【FIG. 5】



【FIG. 6】



【FIG. 7】

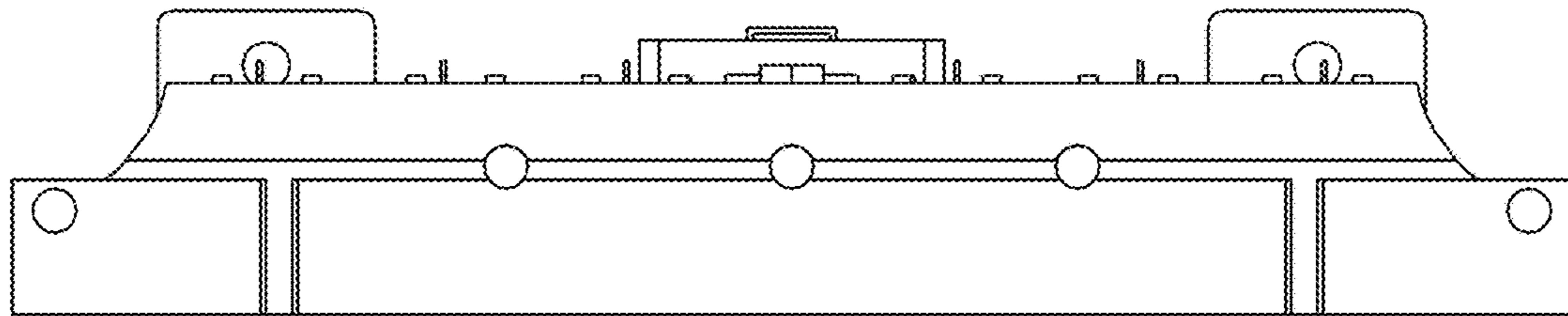
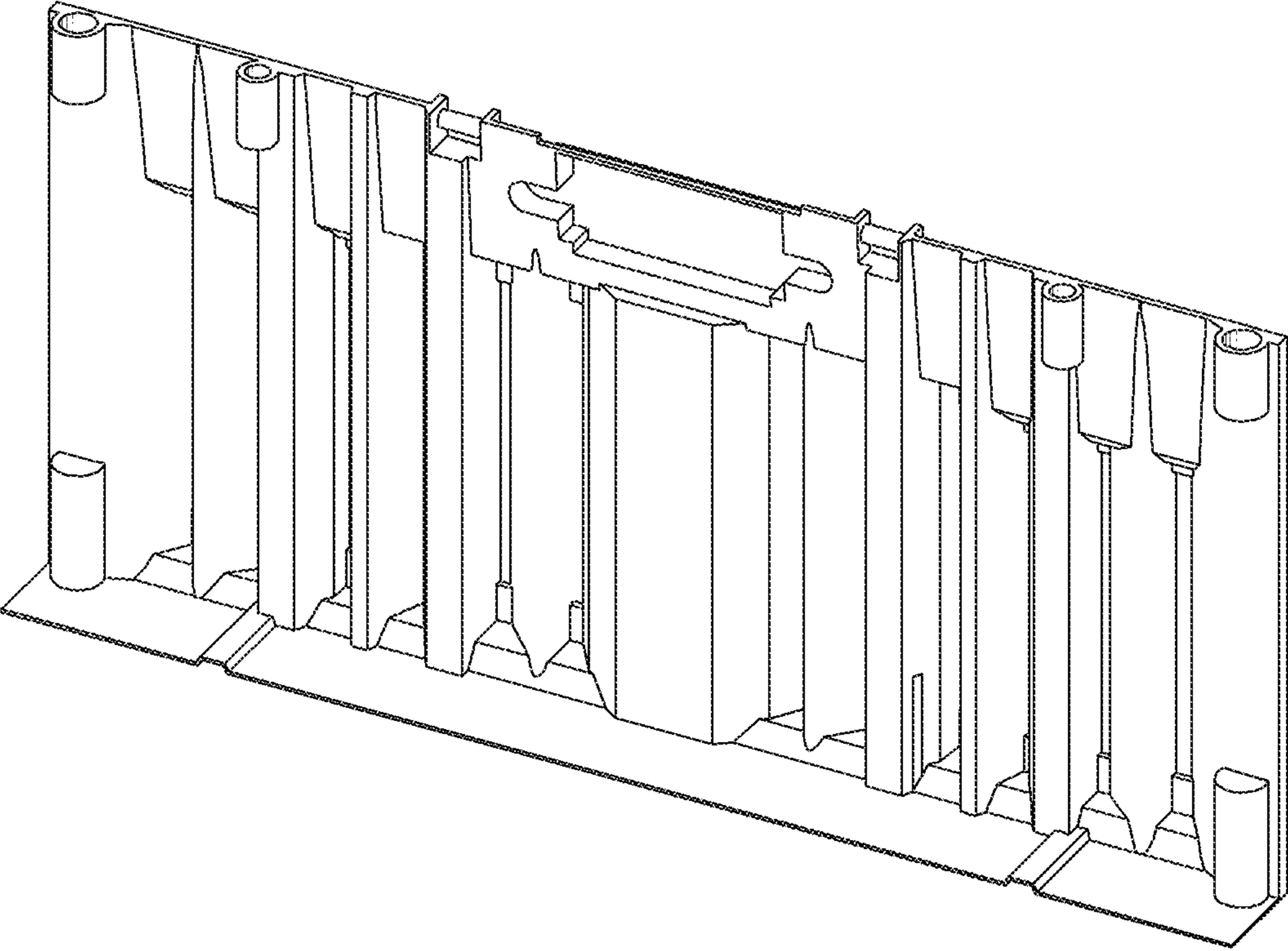


FIG. 8



【FIG. 9】

