



US00D920227S

(12) **United States Design Patent**
Jaramillo

(10) **Patent No.:** **US D920,227 S**

(45) **Date of Patent:** **** *May 25, 2021**

(54) **SOLAR TUB**

(71) Applicant: **Concept Clean Energy, LLC**, Laguna Beach, CA (US)

(72) Inventor: **Elliot L. Jaramillo**, Laguna Beach, CA (US)

(73) Assignee: **Concept Clean Energy, Inc.**, Laguna Beach, CA (US)

(*) Notice: This patent is subject to a terminal disclaimer.

(**) Term: **15 Years**

(21) Appl. No.: **29/672,256**

(22) Filed: **Dec. 4, 2018**

(51) **LOC (13) Cl.** **13-02**

(52) **U.S. Cl.**
USPC **D13/102**

(58) **Field of Classification Search**
USPC D13/102, 101, 184, 199
CPC H01L 31/048; H01L 31/0422; H01L 31/0484; Y02B 10/12; Y02E 10/50; H02S 20/10; H02S 20/24; H02S 20/30; H02S 20/32; H02S 30/10; F24S 20/70; F24S 25/11; F24S 25/16; F24S 25/67
See application file for complete search history.

(56) **References Cited**

U.S. PATENT DOCUMENTS

7,644,552 B2 * 1/2010 Kuipers E04B 2/7424
52/481.2
D647,049 S * 10/2011 Vaid D13/102

D676,188 S * 2/2013 Villegas D26/118
D692,372 S * 10/2013 Rothschild D13/102
D697,022 S * 1/2014 Truthseeker D13/102
8,844,215 B2 * 9/2014 Wildes F24S 25/11
52/173.3
D800,055 S * 10/2017 Rothschild D13/102
2002/0043277 A1 * 4/2002 Yamawaki H02S 40/34
136/244
2011/0315184 A1 * 12/2011 Kabade H01L 31/0201
136/244
2013/0111830 A1 * 5/2013 Aseere H02S 20/24
52/173.3

* cited by examiner

Primary Examiner — Derrick E Holland

(74) *Attorney, Agent, or Firm* — FisherBroytes, LLP; W. Scott Harders

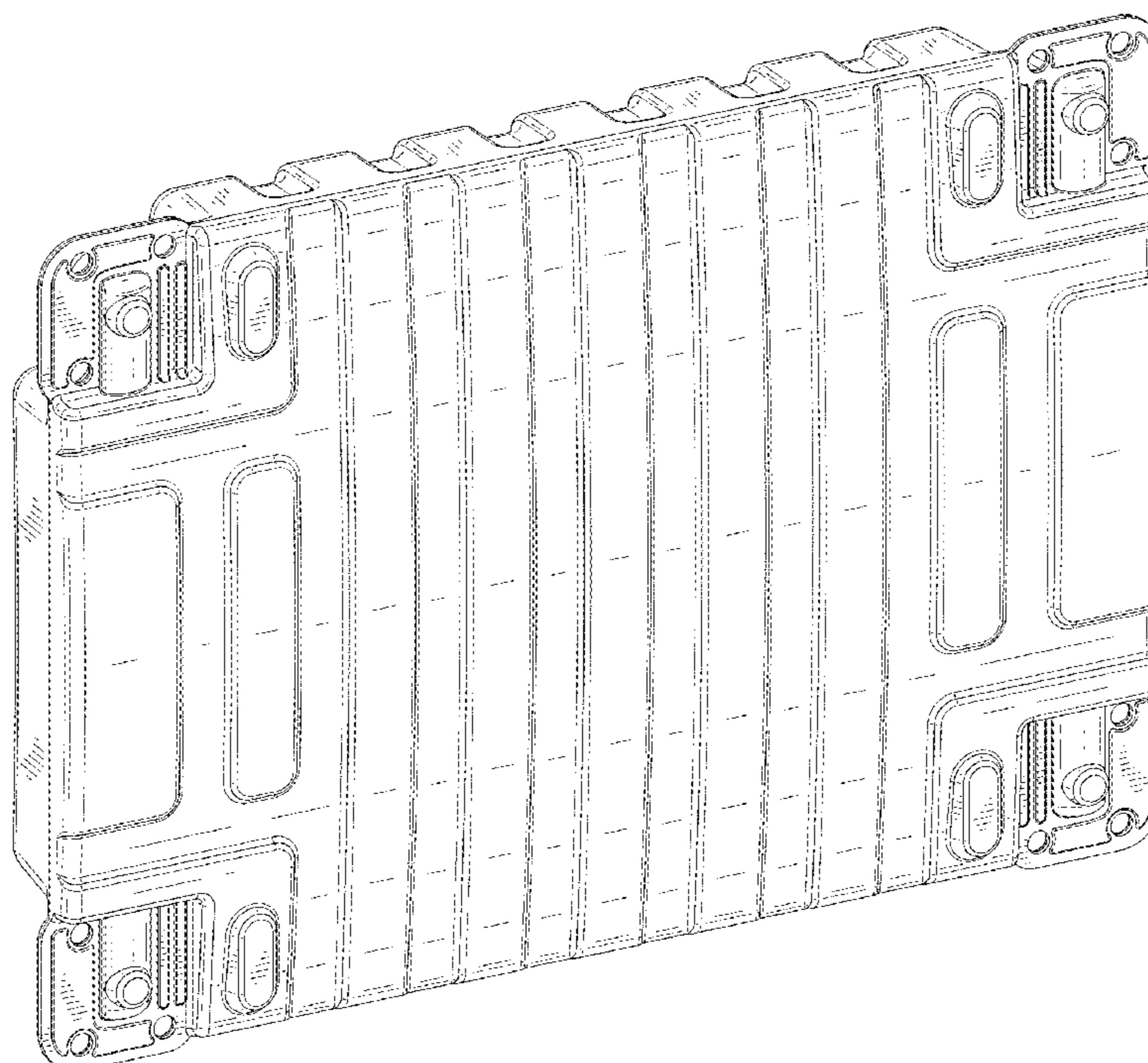
(57) **CLAIM**

The ornamental design for a solar tub, as shown and described.

DESCRIPTION

FIG. 1 is a top perspective view of a solar tub showing the new design.
FIG. 2 is a bottom perspective view thereof.
FIG. 3 is a top plan view thereof.
FIG. 4 is a bottom plan view thereof.
FIG. 5 is a left side view thereof and the right side is a mirror image; and,
FIG. 6 is a front side view thereof and the rear side is a mirror image.

1 Claim, 5 Drawing Sheets



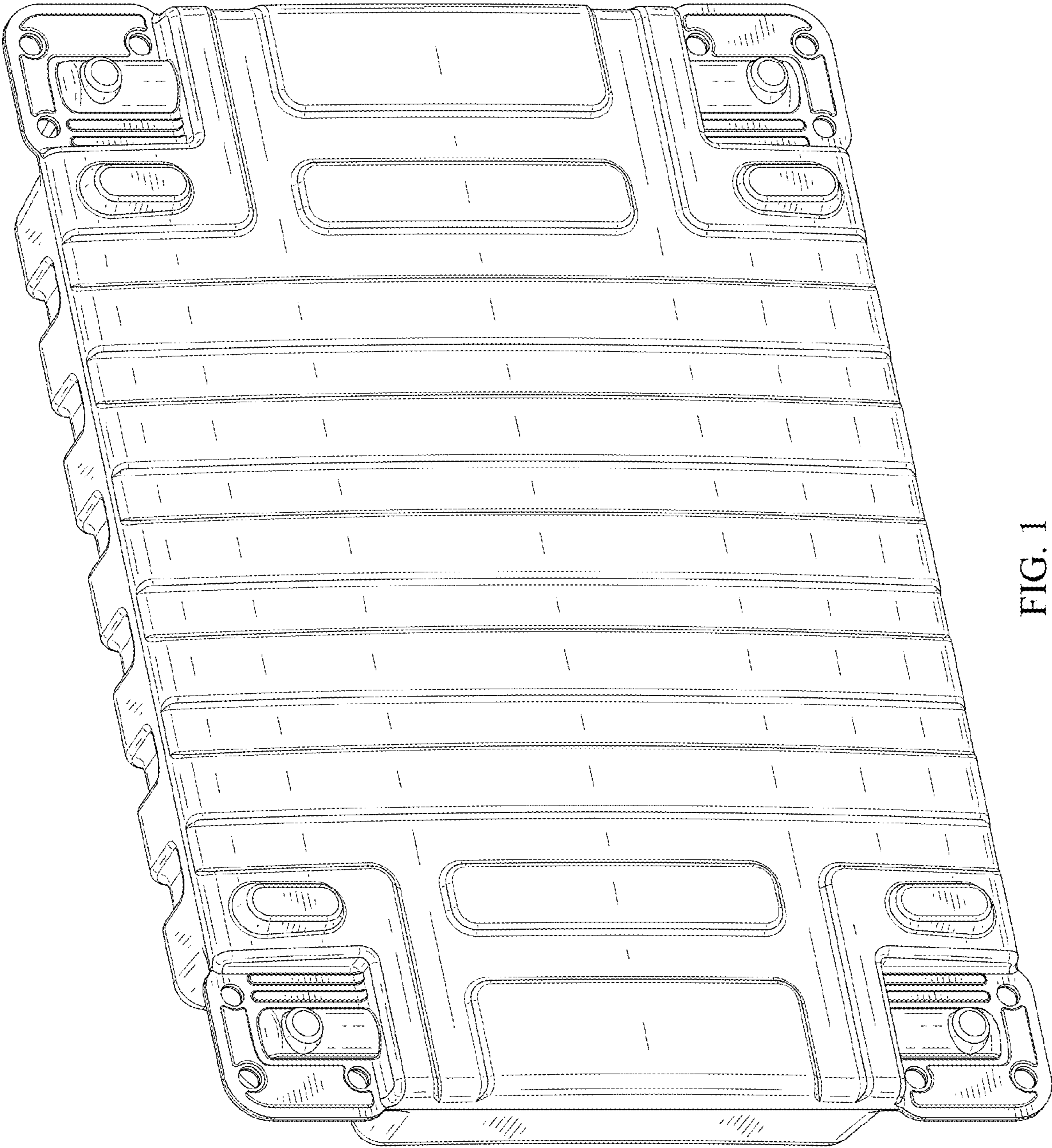


FIG. 1

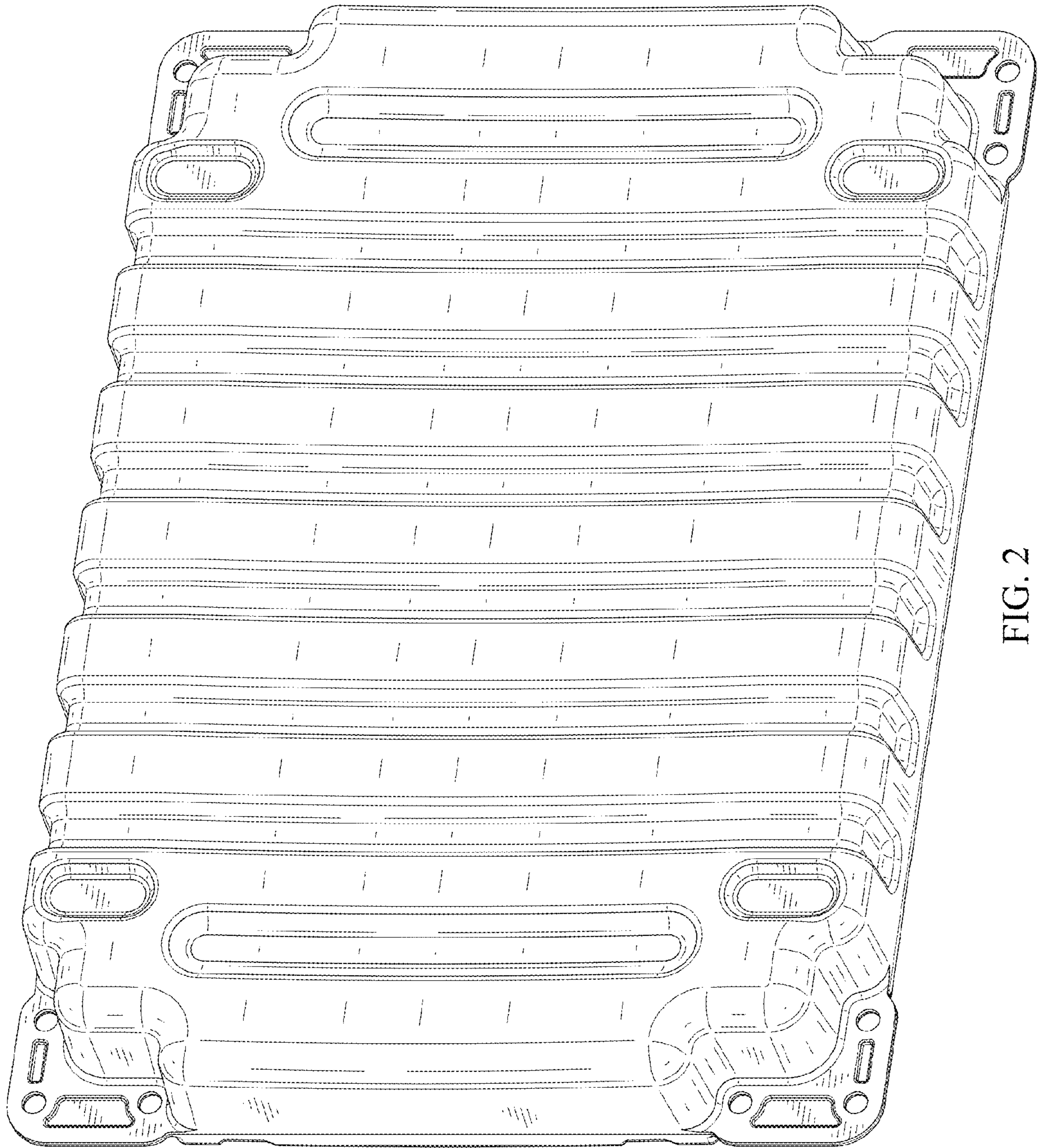


FIG. 2

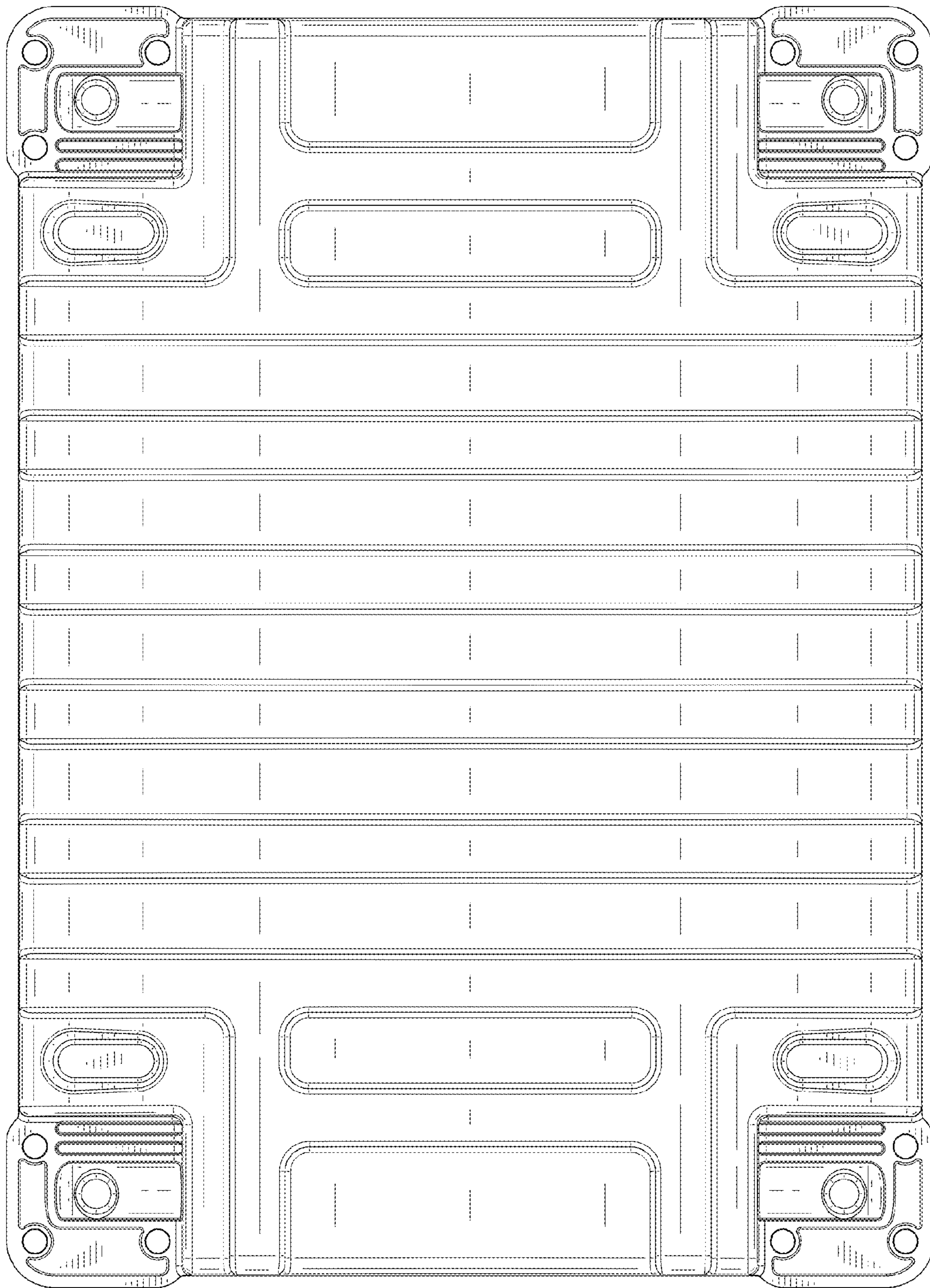


FIG. 3

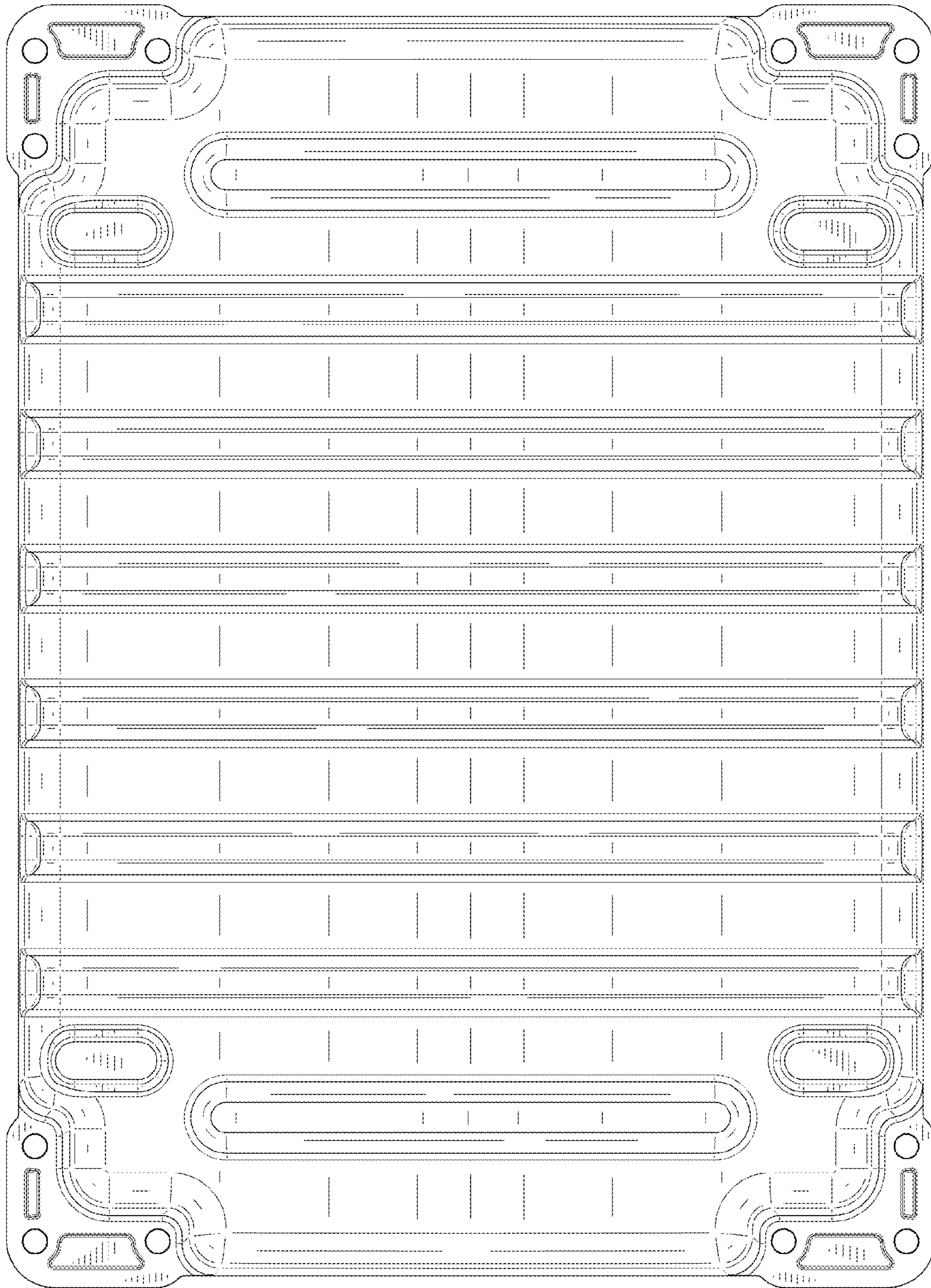


FIG. 4

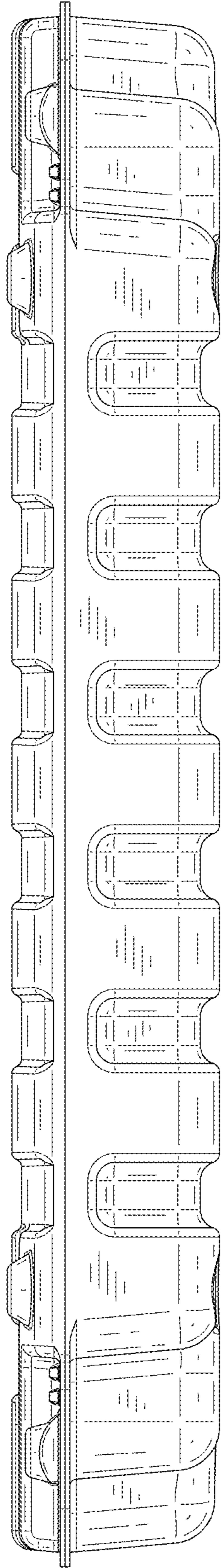


FIG. 5

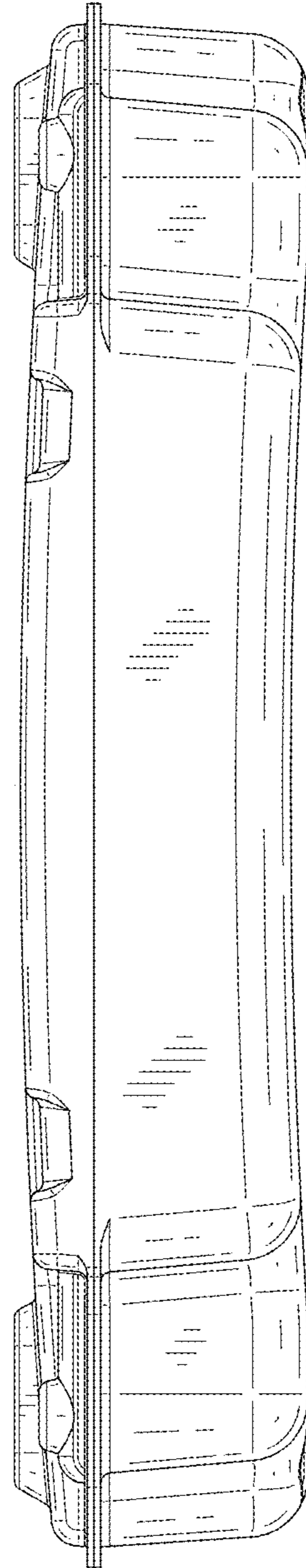


FIG. 6