



US00D920222S

(12) **United States Design Patent** (10) **Patent No.:** **US D920,222 S**  
**Sterba et al.** (45) **Date of Patent:** **\*\* May 25, 2021**

(54) **TIRE**  
(71) Applicant: **Bridgestone Americas Tire Operations, LLC**, Nashville, TN (US)  
(72) Inventors: **Zachary A. Sterba**, Akron, OH (US); **Richard S. Parr**, Canton, OH (US)  
(73) Assignee: **Bridgestone Americas Tire Operations, LLC**, Nashville, TN (US)

D486,122 S 2/2004 Ratliff, Jr.  
D490,769 S \* 6/2004 Diensthuber ..... D12/531  
D492,244 S 6/2004 Fukunaga  
D504,387 S 4/2005 Welbes et al.  
D512,681 S 12/2005 Maxwell  
D516,011 S 2/2006 Shondel et al.  
D529,862 S \* 10/2006 Miller ..... D12/574  
D538,738 S \* 3/2007 Miller ..... D12/574  
D541,734 S 5/2007 Yoshiya

(Continued)

(\*\*) Term: **15 Years**  
(21) Appl. No.: **29/719,893**  
(22) Filed: **Jan. 8, 2020**

**Related U.S. Application Data**

(62) Division of application No. 29/654,188, filed on Jun. 21, 2018, now Pat. No. Des. 875,645.  
(51) **LOC (13) Cl.** ..... **12-15**  
(52) **U.S. Cl.**  
USPC ..... **D12/513**  
(58) **Field of Classification Search**  
USPC ..... D12/500-532, 604  
CPC ..... Y10T 152/10027; B60C 1/0016; B60C 11/0306; B60C 11/0302; B60C 3/06; B60C 9/17  
See application file for complete search history.

(56) **References Cited**

**U.S. PATENT DOCUMENTS**

D370,196 S \* 5/1996 Graas ..... D12/566  
D392,229 S 3/1998 Shirai et al.  
D409,535 S 5/1999 Attinello  
D412,872 S 8/1999 Attinello  
D429,194 S 8/2000 Heinen et al.  
D440,912 S 4/2001 Ratliff, Jr.  
D441,695 S 5/2001 Heinen et al.  
D442,125 S 5/2001 Ratliff, Jr.  
D463,240 S \* 9/2002 Staton ..... D8/107

**OTHER PUBLICATIONS**

“Detroit Notes: Firestone Introduces New Rain Tire”, downloaded at: <http://www.indycar.com/News/2018/06/06-01-Detroit-notebook>, 3 pp. (Jun. 1, 2018).

*Primary Examiner* — John A Voytek

(74) *Attorney, Agent, or Firm* — Shaun J. Fox

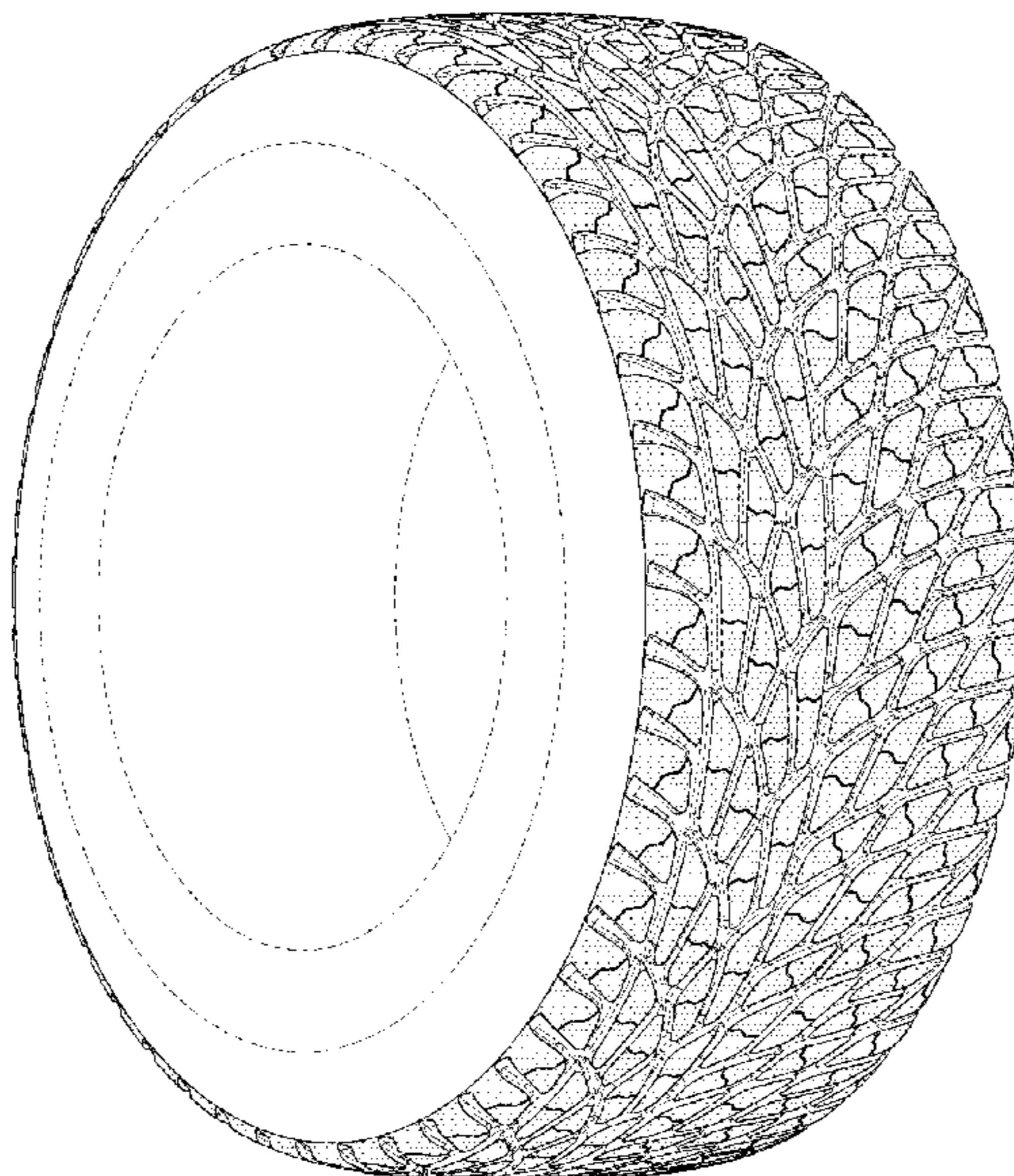
(57) **CLAIM**

The ornamental design for a tire, as shown and described.

**DESCRIPTION**

FIG. 1 is a side perspective view of a tire showing a first embodiment of our new design;  
FIG. 2 is a front elevational view thereof;  
FIG. 3 is a side elevational view of the right side thereof;  
FIG. 4 is a side elevational view of the left side thereof;  
FIG. 5 is an enlarged fragmentary view thereof;  
FIG. 6 is a side perspective view of a tire showing a second embodiment of our new design;  
FIG. 7 is a front elevational view thereof;  
FIG. 8 is a side elevational view of the left side thereof;  
FIG. 9 is a side elevational view of the right side thereof;  
and,  
FIG. 10 is an enlarged fragmentary view thereof.  
In the drawings, the broken lines depict environmental subject matter only and form no part of the claimed design.

**1 Claim, 10 Drawing Sheets**



(56)

**References Cited**

U.S. PATENT DOCUMENTS

D556,671 S	*	12/2007	Nonaka .....	D12/567
D591,220 S		4/2009	Minagawa	
D597,929 S		8/2009	Diensthuber et al.	
D598,366 S	*	8/2009	Kanemaru .....	D12/543
D634,700 S		3/2011	Ebel et al.	
D651,163 S		12/2011	Shimizu et al.	
D668,205 S		10/2012	Ebel et al.	
D684,922 S	*	6/2013	Scheuren .....	D12/564
D702,626 S		4/2014	de Briey-Terlinden	
D722,555 S	*	2/2015	Knispel .....	D12/564
D722,556 S		2/2015	Takei et al.	
D725,585 S	*	3/2015	Brandau .....	D12/531
D755,114 S		5/2016	Abe	
D767,473 S		9/2016	Nomura et al.	
D777,650 S	*	1/2017	Ishino .....	D12/564
D778,229 S		2/2017	Fabing et al.	
D778,808 S		2/2017	Fabing et al.	
D780,104 S	*	2/2017	Taylor .....	D12/600
D806,000 S		12/2017	Diensthuber et al.	
D875,645 S	*	2/2020	Sterba .....	D12/513

\* cited by examiner

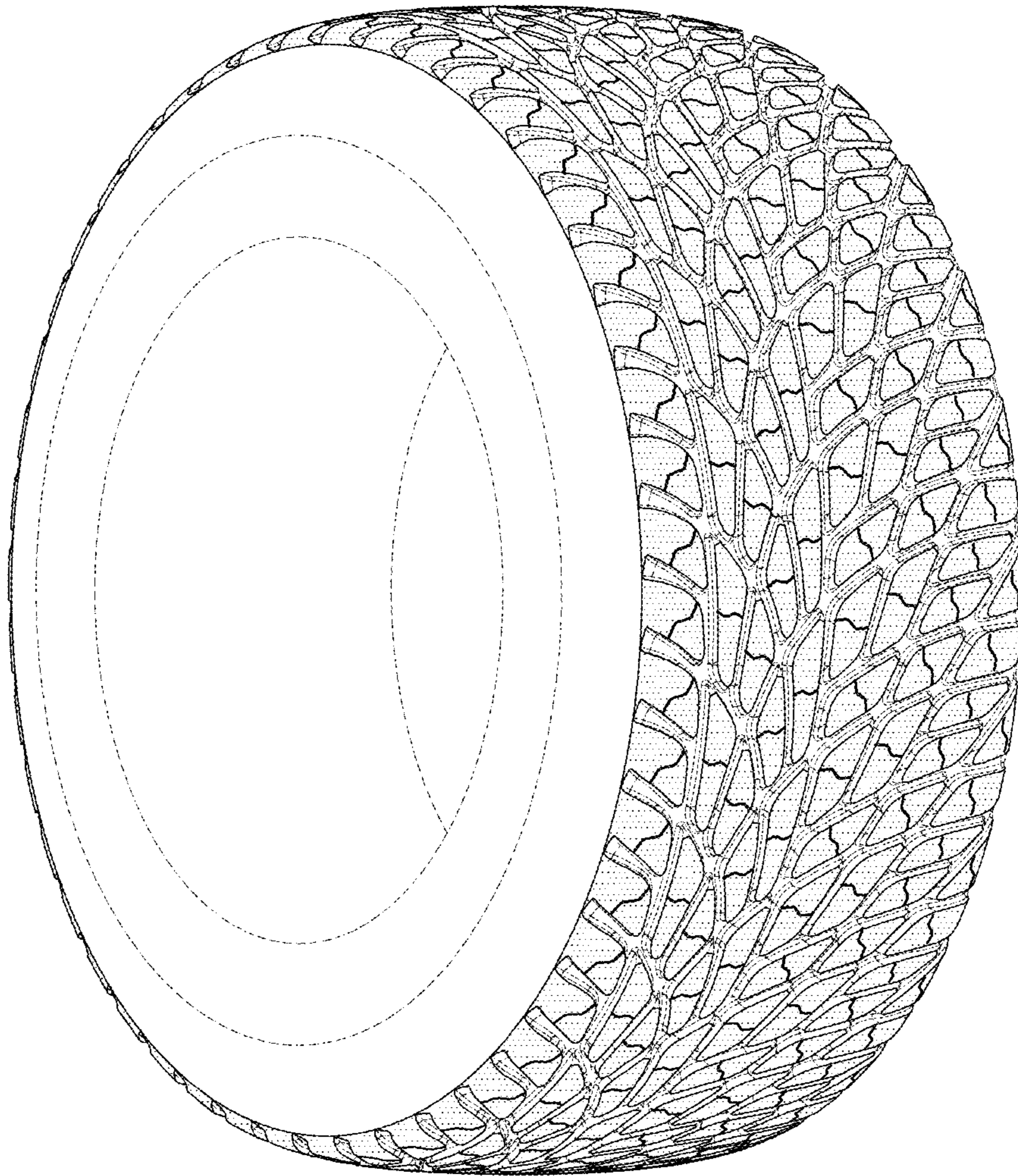


FIG. 1

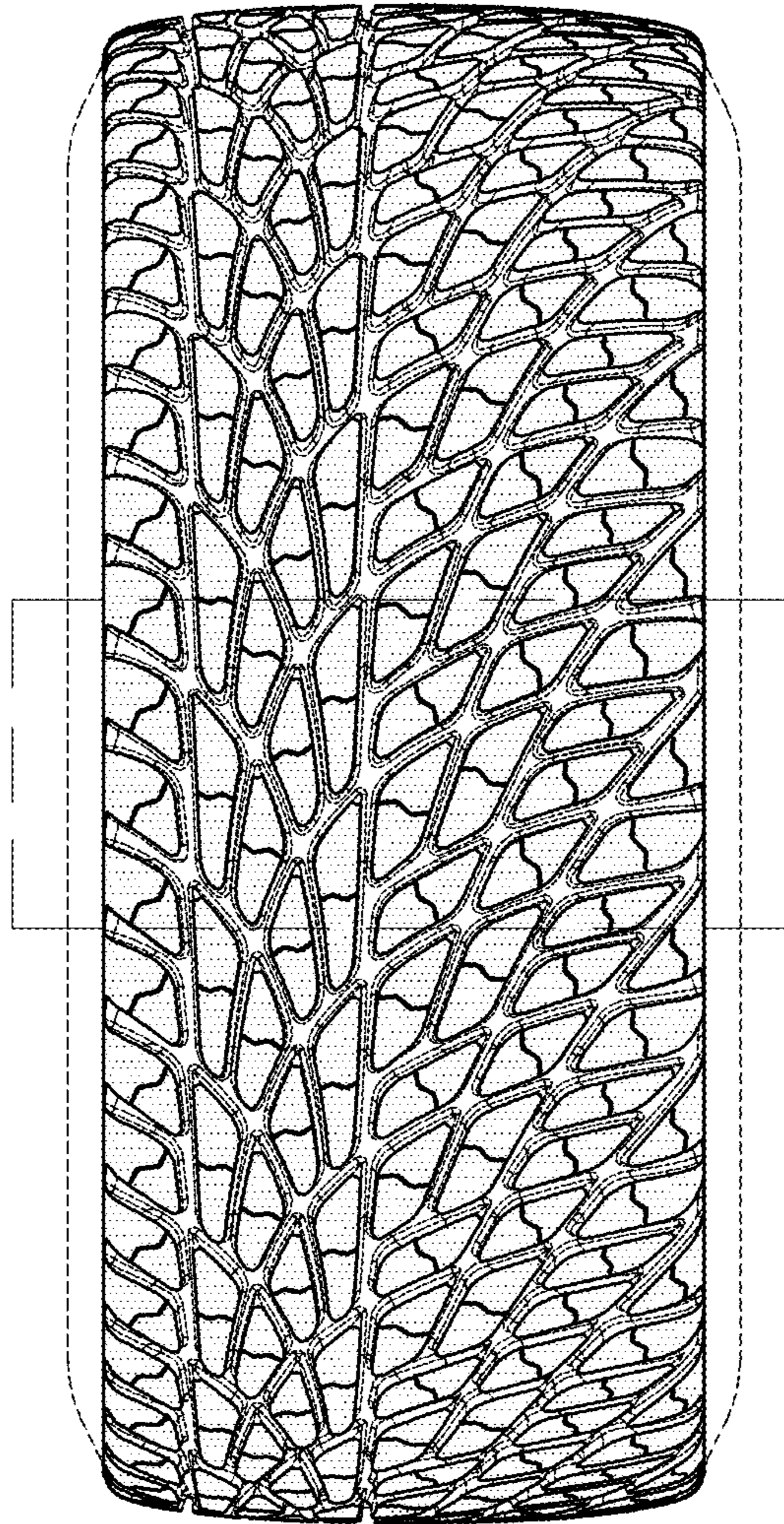


FIG. 5

FIG. 2

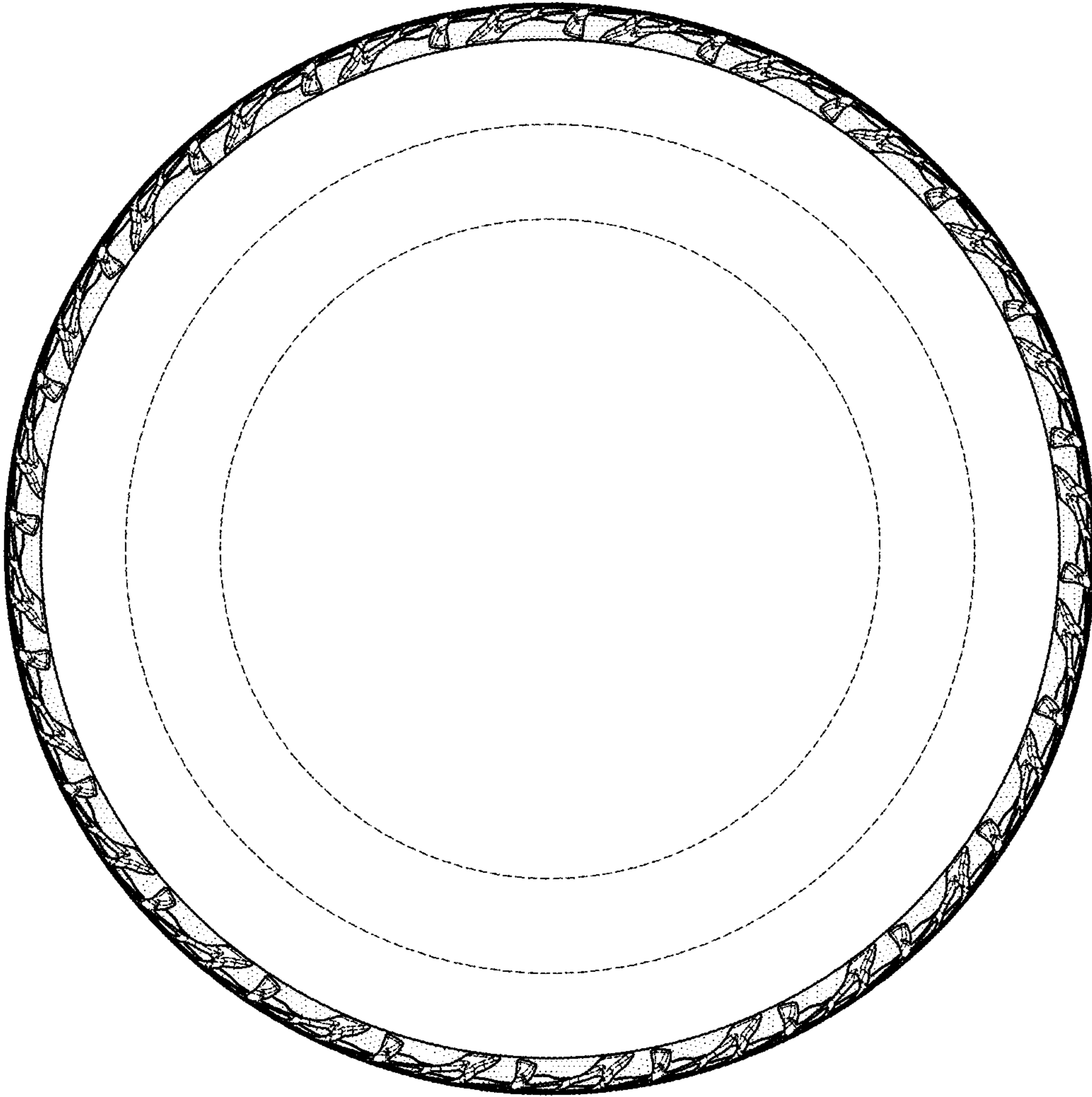


FIG. 3

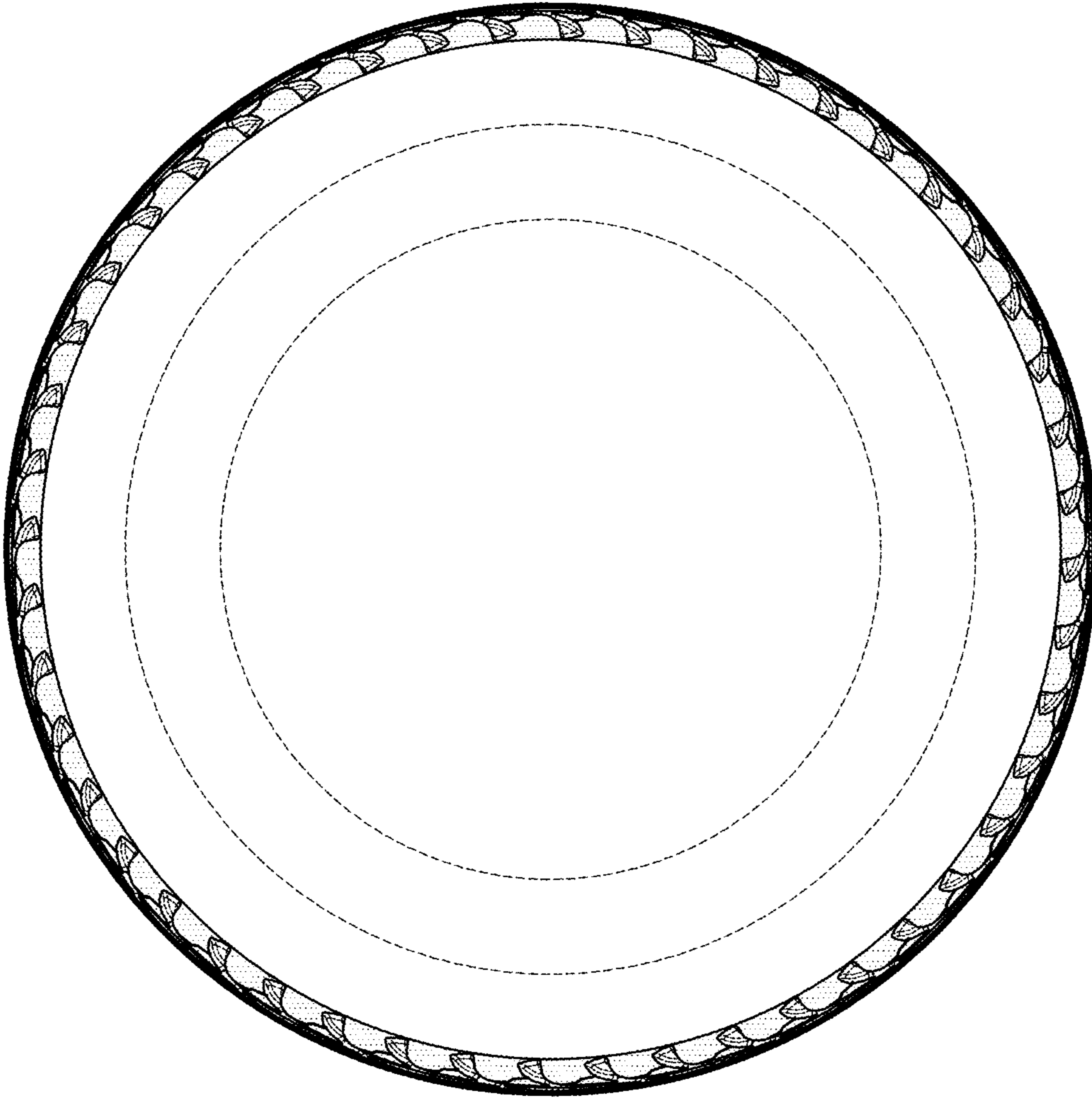


FIG. 4

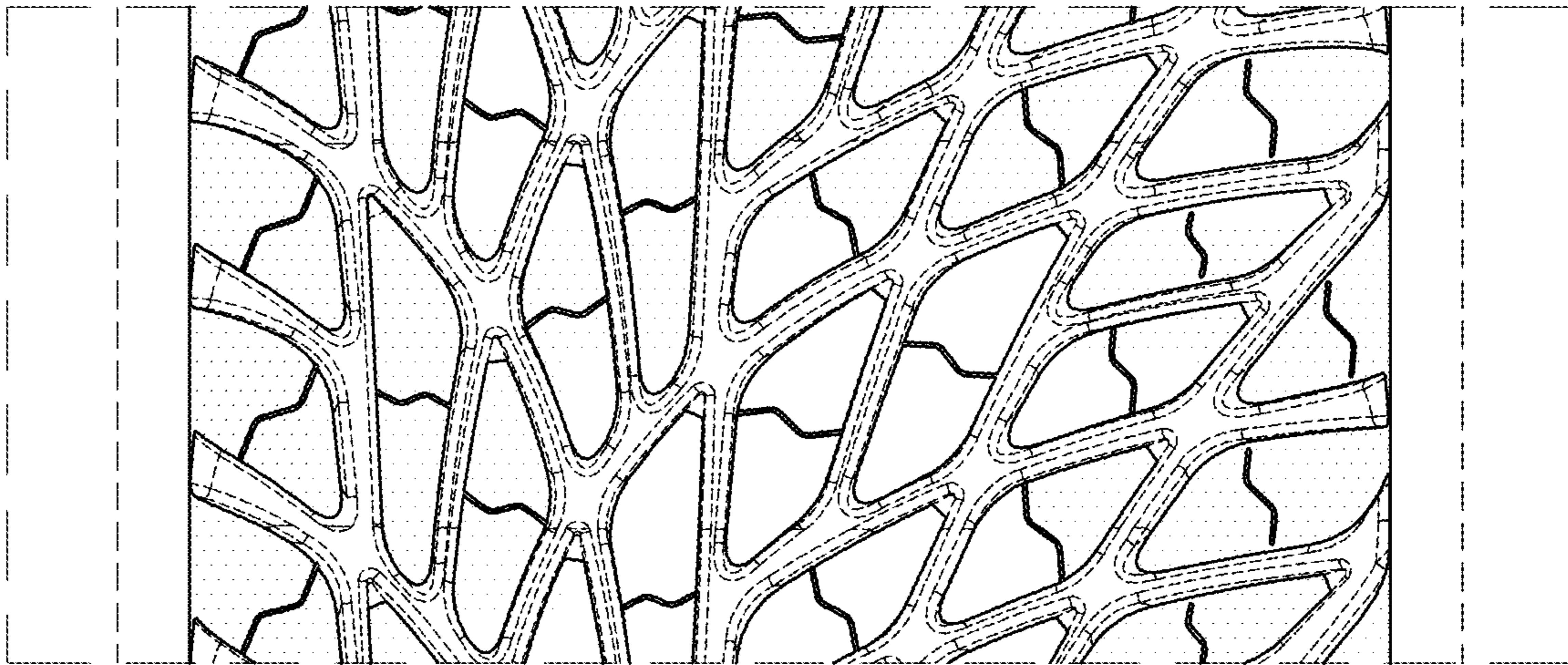


FIG. 5

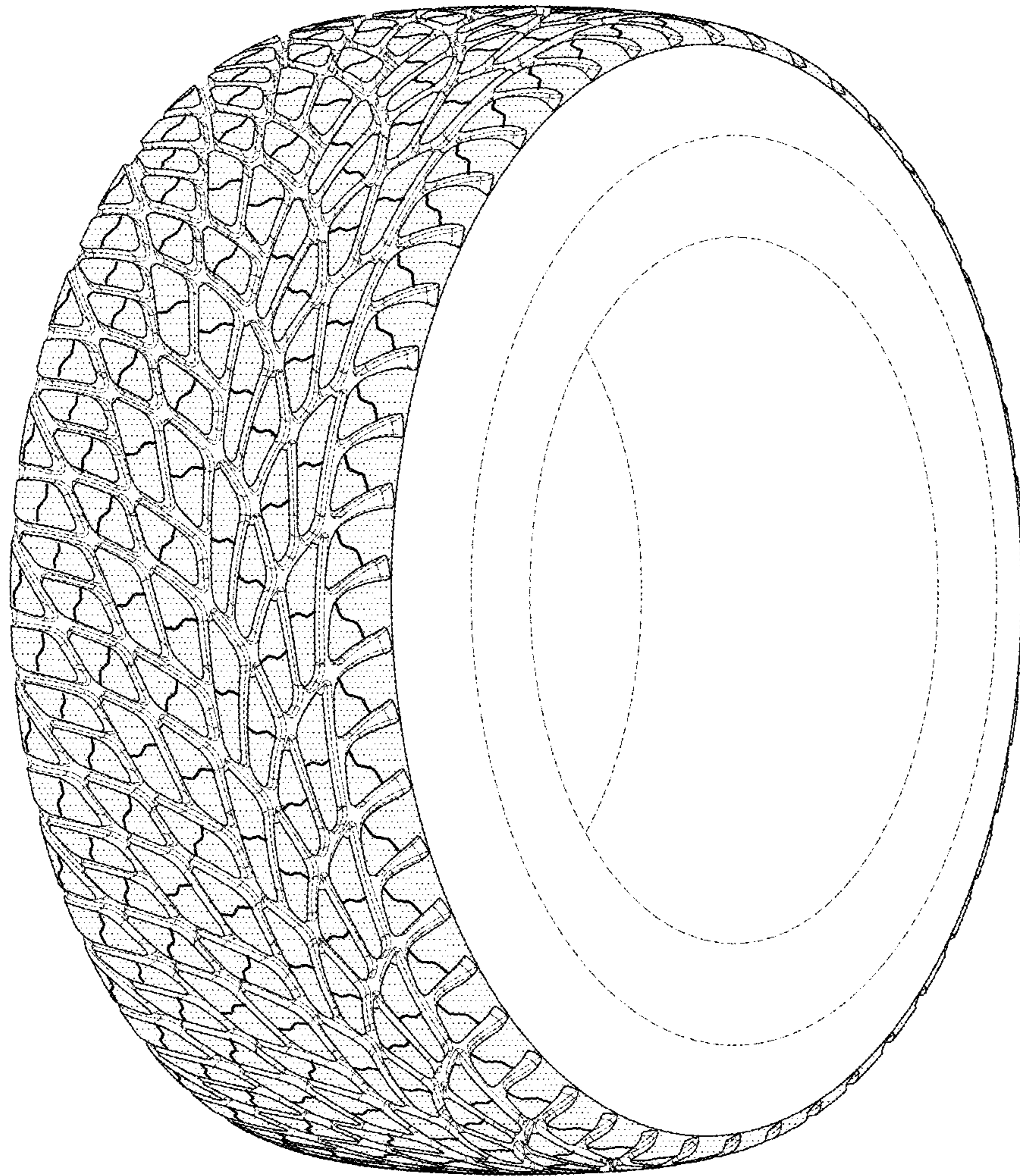


FIG. 6



FIG. 10

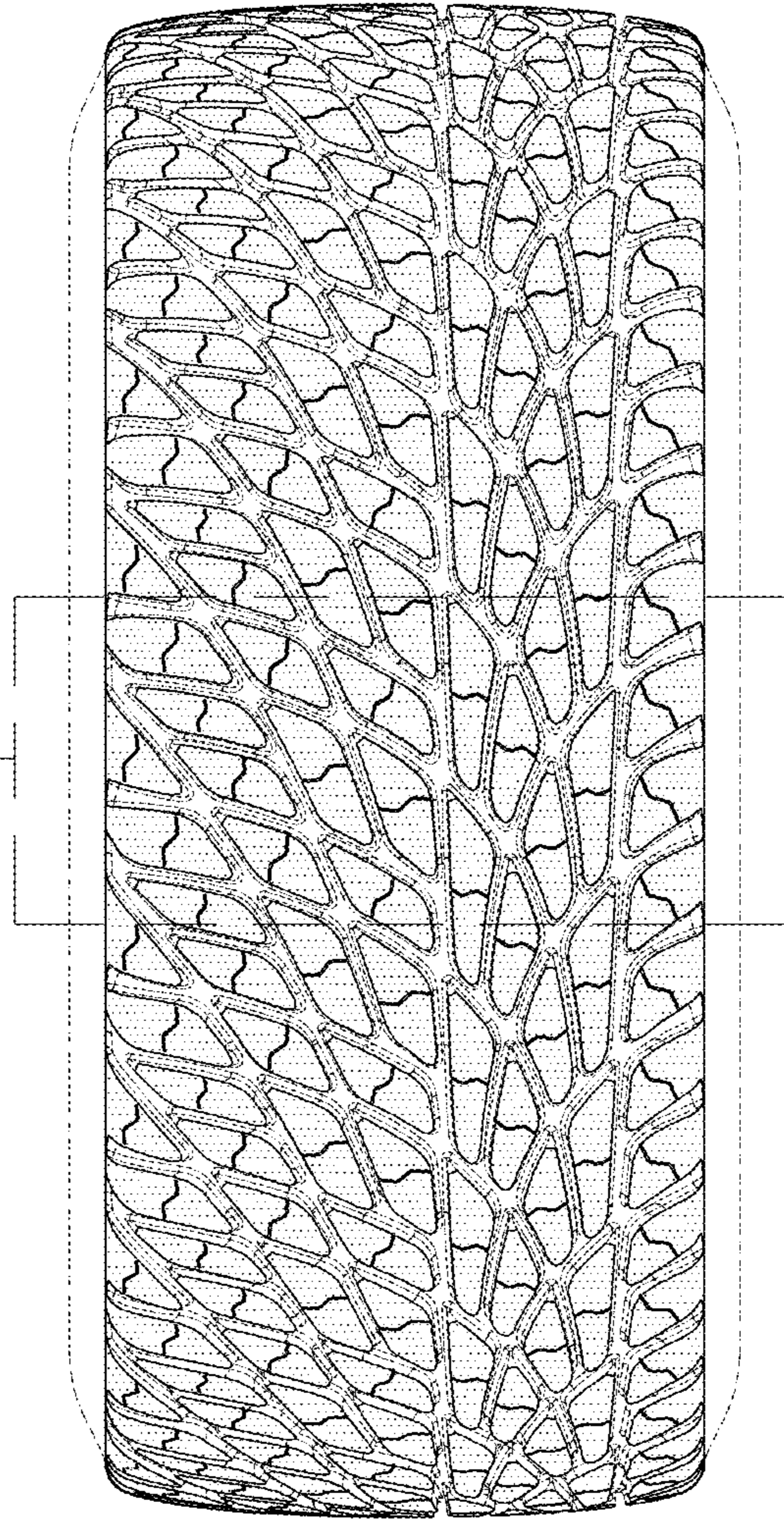


FIG. 7

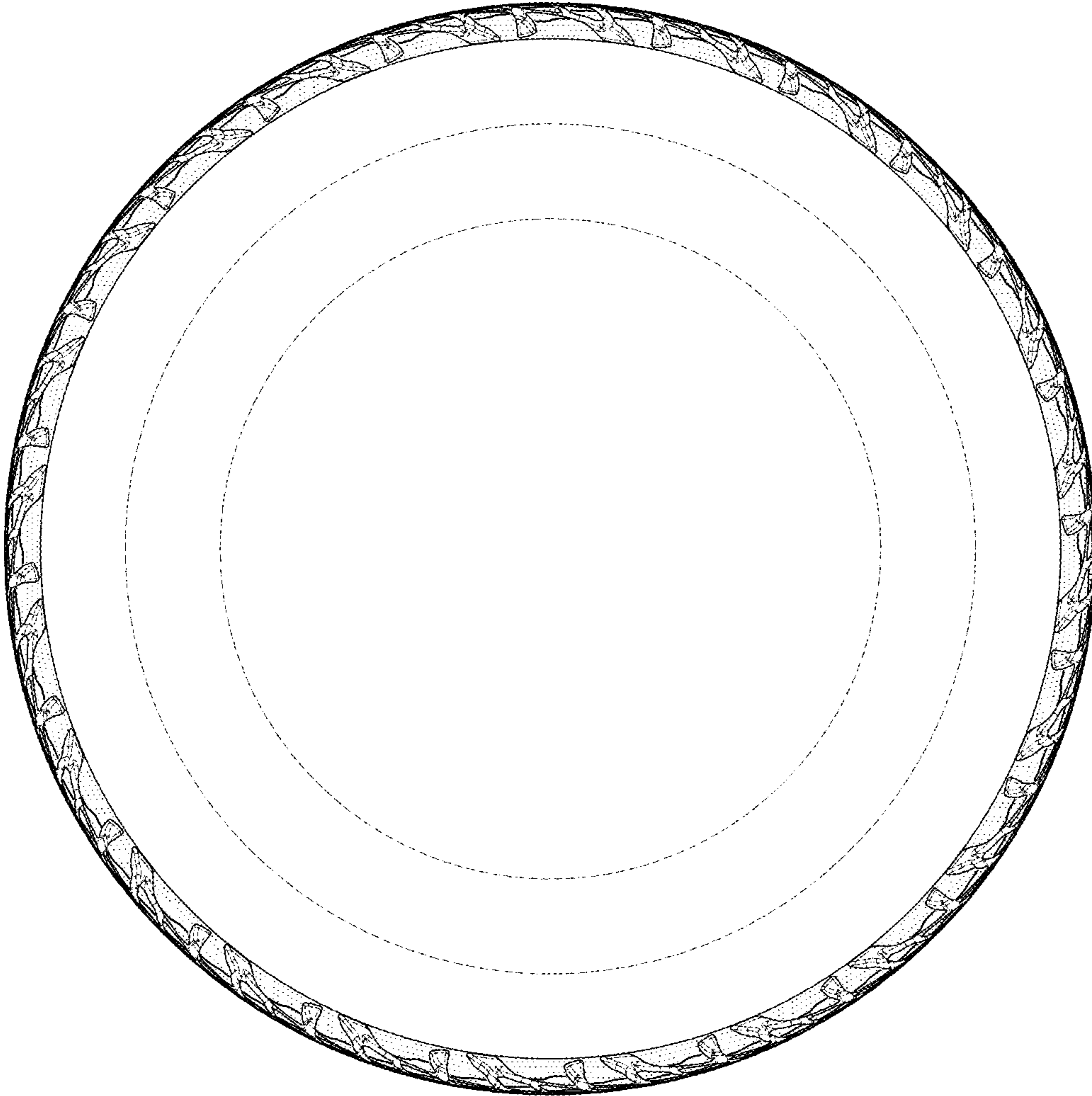


FIG. 8

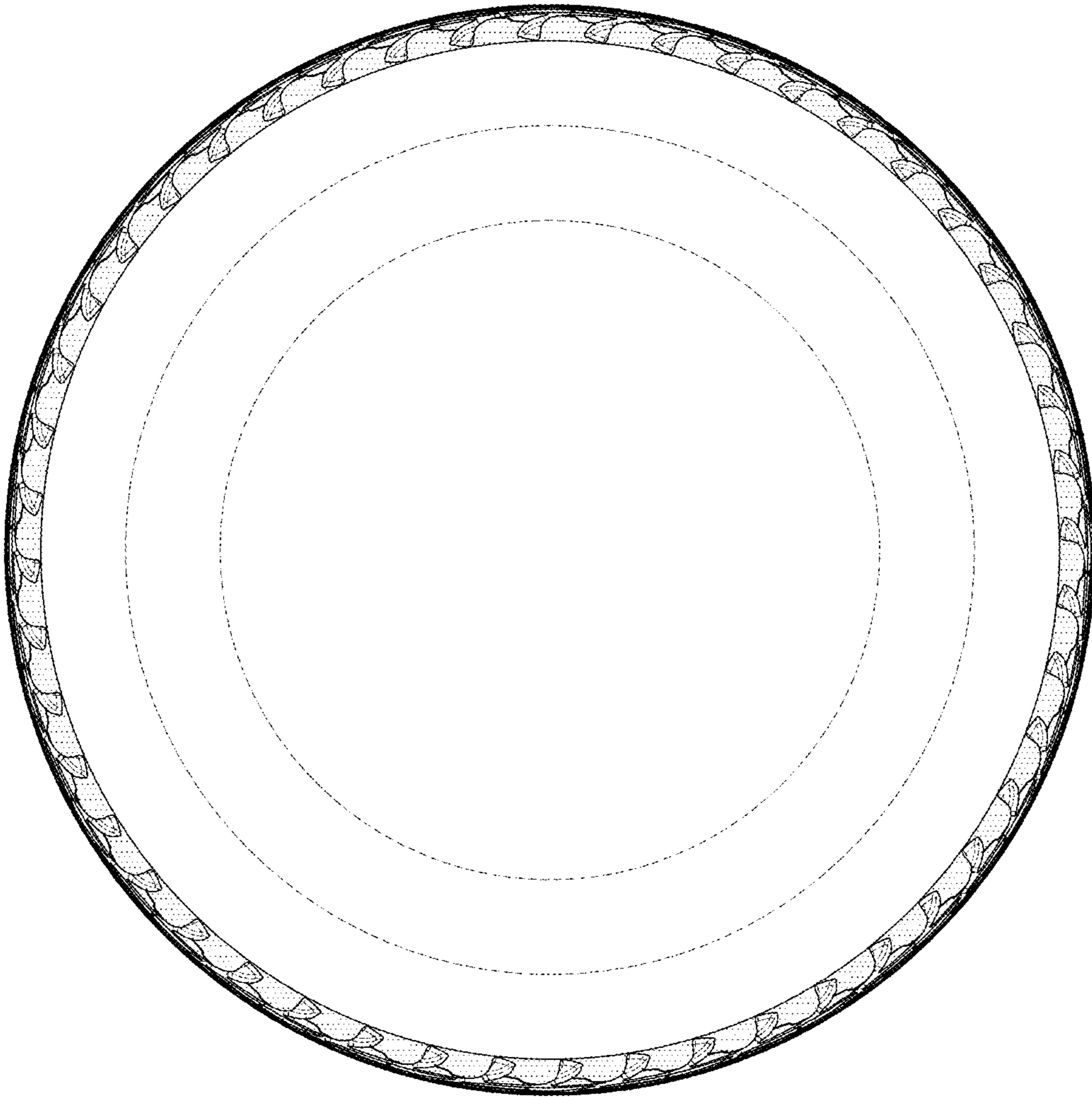


FIG. 9

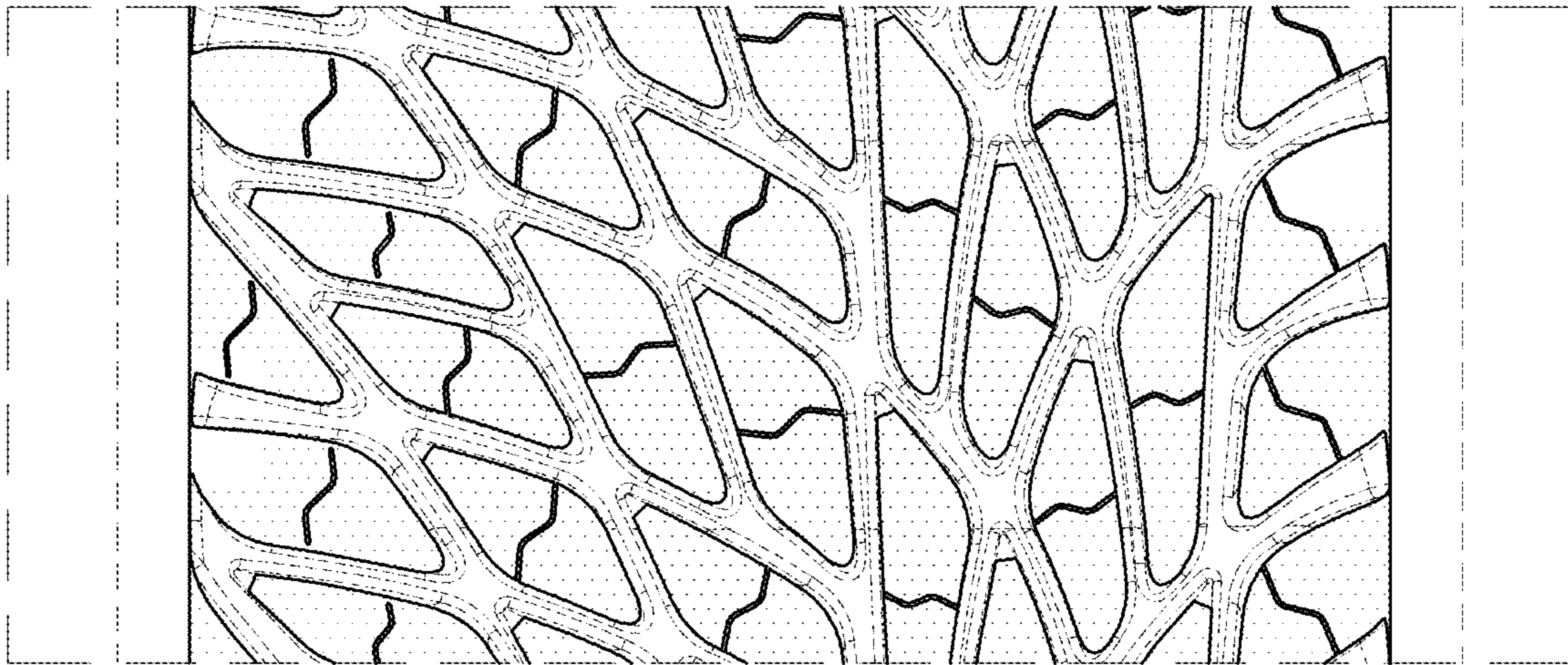


FIG. 10