



US00D920221S

(12) **United States Design Patent**  
**Yang**

(10) **Patent No.:** **US D920,221 S**

(45) **Date of Patent:** **\*\* May 25, 2021**

(54) **STEERING WHEEL STORAGE ORGANIZER**

(71) Applicant: **Guangzhou Jiaotu Information Technology Co., Ltd.,** Guangzhou (CN)

(72) Inventor: **Taiping Yang,** Guangzhou (CN)

(\*\*) Term: **15 Years**

(21) Appl. No.: **29/762,784**

(22) Filed: **Dec. 18, 2020**

(51) **LOC (13) Cl.** ..... **12-16**

(52) **U.S. Cl.**  
USPC ..... **D12/415**

(58) **Field of Classification Search**  
USPC ..... D12/415-426.1  
CPC ..... B64D 11/06; F16M 11/12; F16M 11/10  
See application file for complete search history.

(56) **References Cited**

**U.S. PATENT DOCUMENTS**

- D159,237 S \* 7/1950 Steadman ..... D12/426.1
- 3,952,988 A \* 4/1976 Easterly ..... B43L 3/008  
248/447.1
- D257,589 S \* 12/1980 Shaffert ..... 248/447.1
- 4,375,881 A \* 3/1983 Mitchell ..... B60N 3/005  
108/44
- D312,358 S \* 11/1990 Horne ..... D12/177
- D360,318 S \* 7/1995 Kinnard, Sr. .... D12/426.1
- D365,219 S \* 12/1995 Tange ..... D12/426.1
- D409,962 S \* 5/1999 Demont ..... D12/177

- D431,019 S \* 9/2000 Richter ..... D12/426.1
- D658,568 S 5/2012 Carrier
- D675,019 S 1/2013 Jacobson
- D679,240 S 4/2013 Krankkala
- D784,908 S 4/2017 Kalchuri et al.
- D819,545 S 6/2018 O'Connor
- D890,079 S 7/2020 Chen
- 10,744,950 B1 \* 8/2020 Meyer ..... B60R 7/04

\* cited by examiner

*Primary Examiner* — Katrina A Betton

(74) *Attorney, Agent, or Firm* — Rमित Ranjit Kanakia

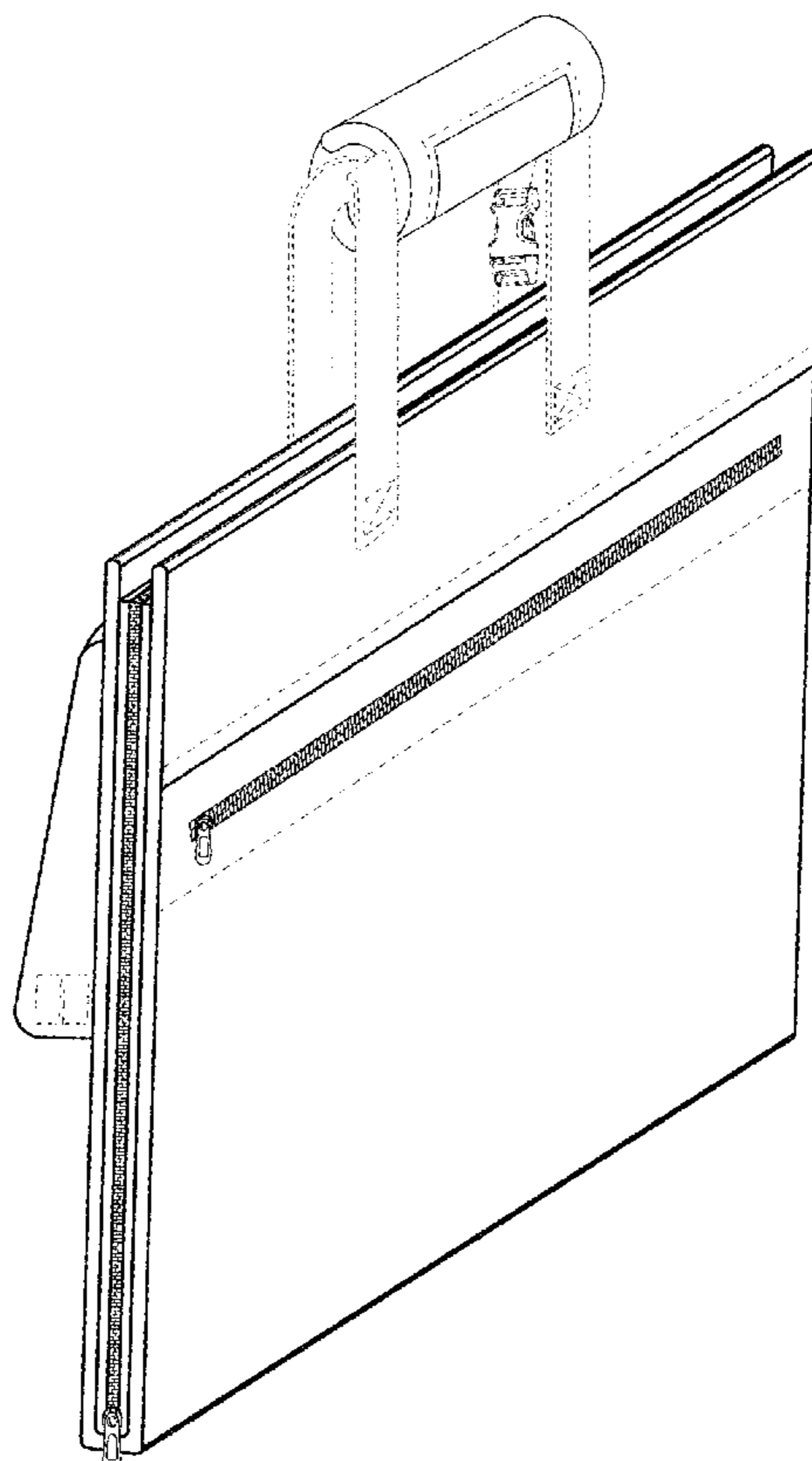
(57) **CLAIM**

I claim the ornamental design for a steering wheel storage organizer, as shown and described.

**DESCRIPTION**

FIG. 1 is a Perspective view of a steering wheel storage organizer showing my new design;  
 FIG. 2 is a Front view thereof;  
 FIG. 3 is a Back view thereof;  
 FIG. 4 is a Left-side view thereof;  
 FIG. 5 is a Right-side view thereof;  
 FIG. 6 is a Top view thereof;  
 FIG. 7 is a Bottom view thereof; and,  
 FIG. 8 is a Perspective view of a steering wheel storage organizer showing in open position.  
 The broken lines in the drawings depict portions of the a steering wheel storage organizer that form no part of the claimed design.

**1 Claim, 6 Drawing Sheets**



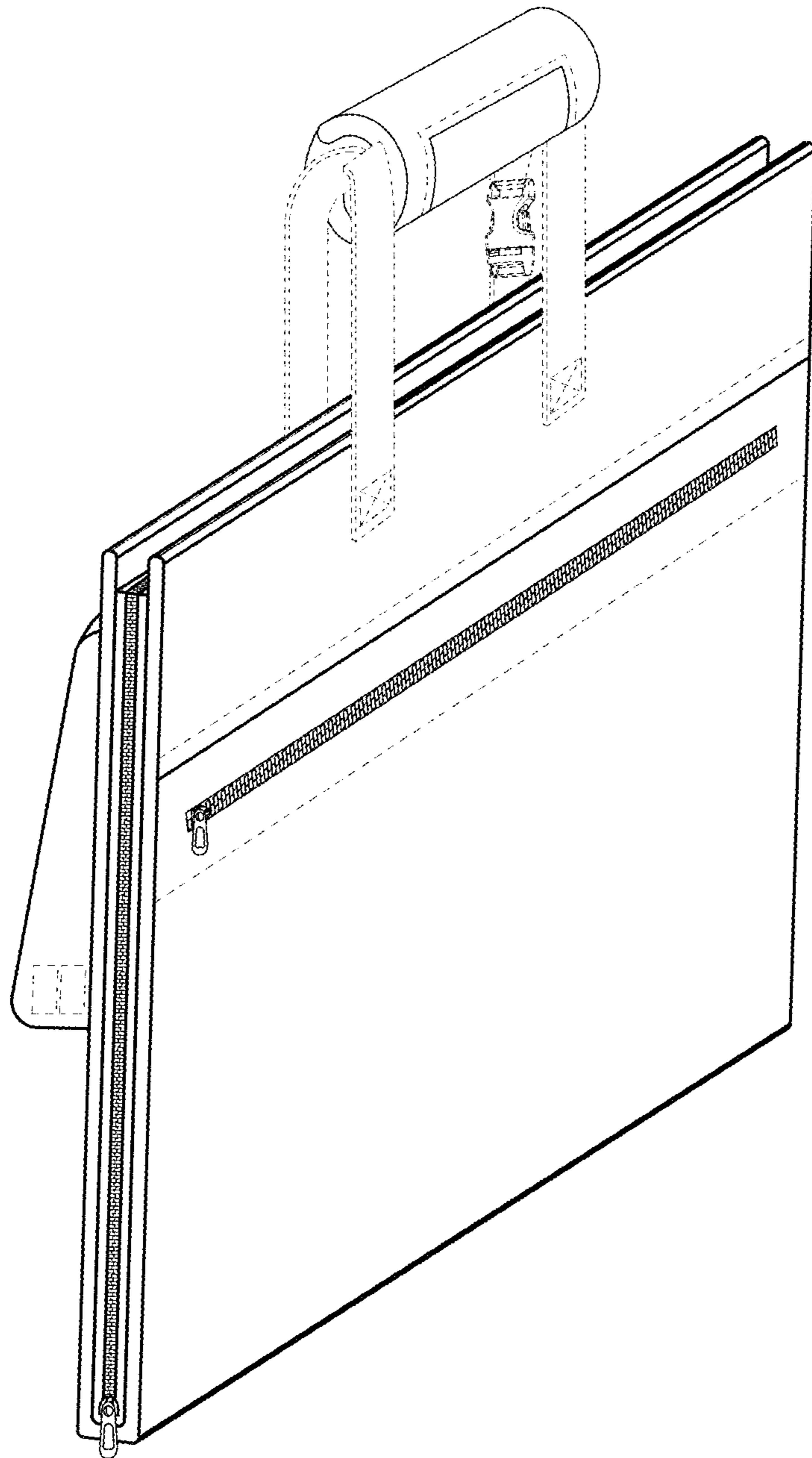


FIG. 1

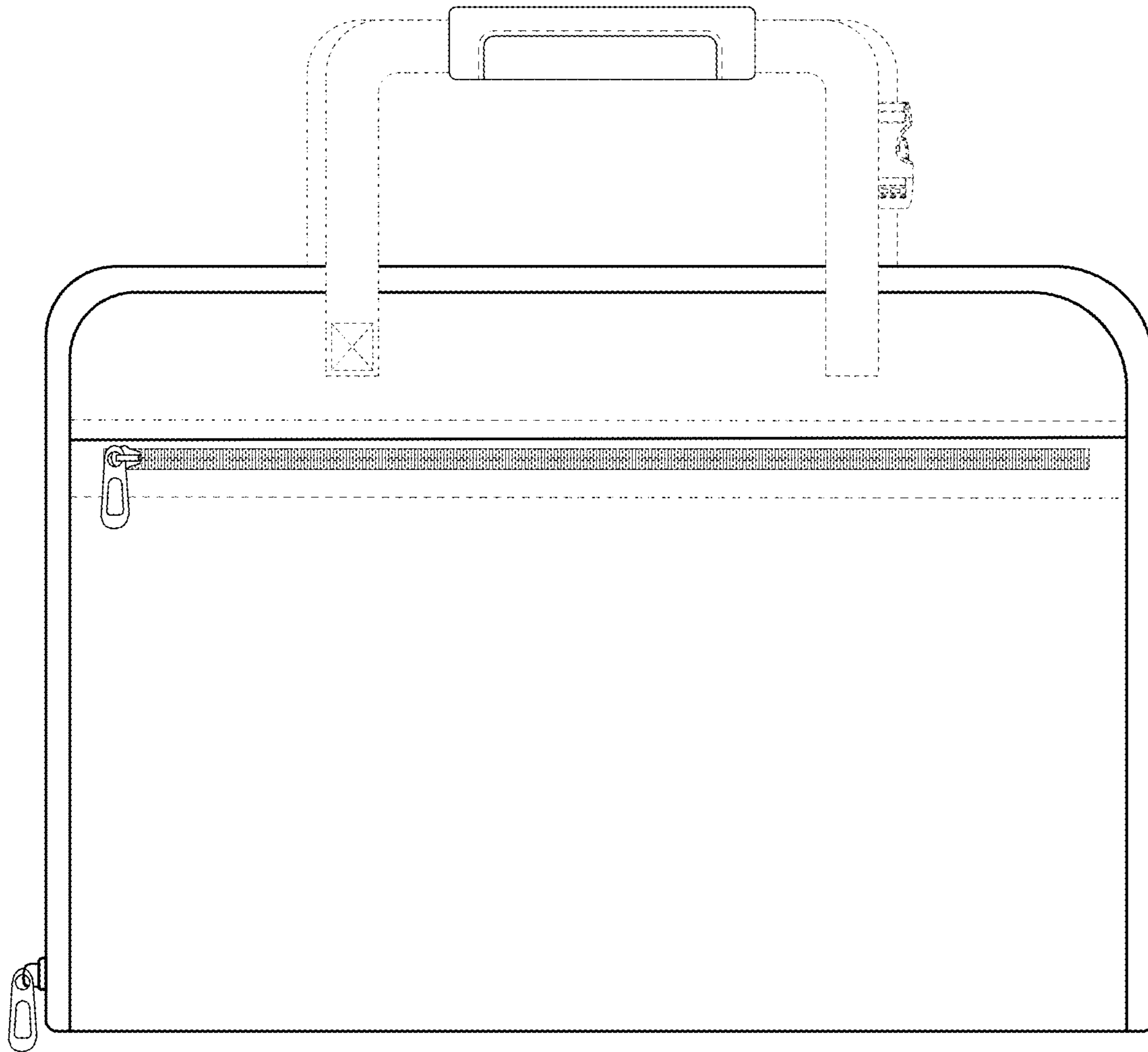


FIG. 2

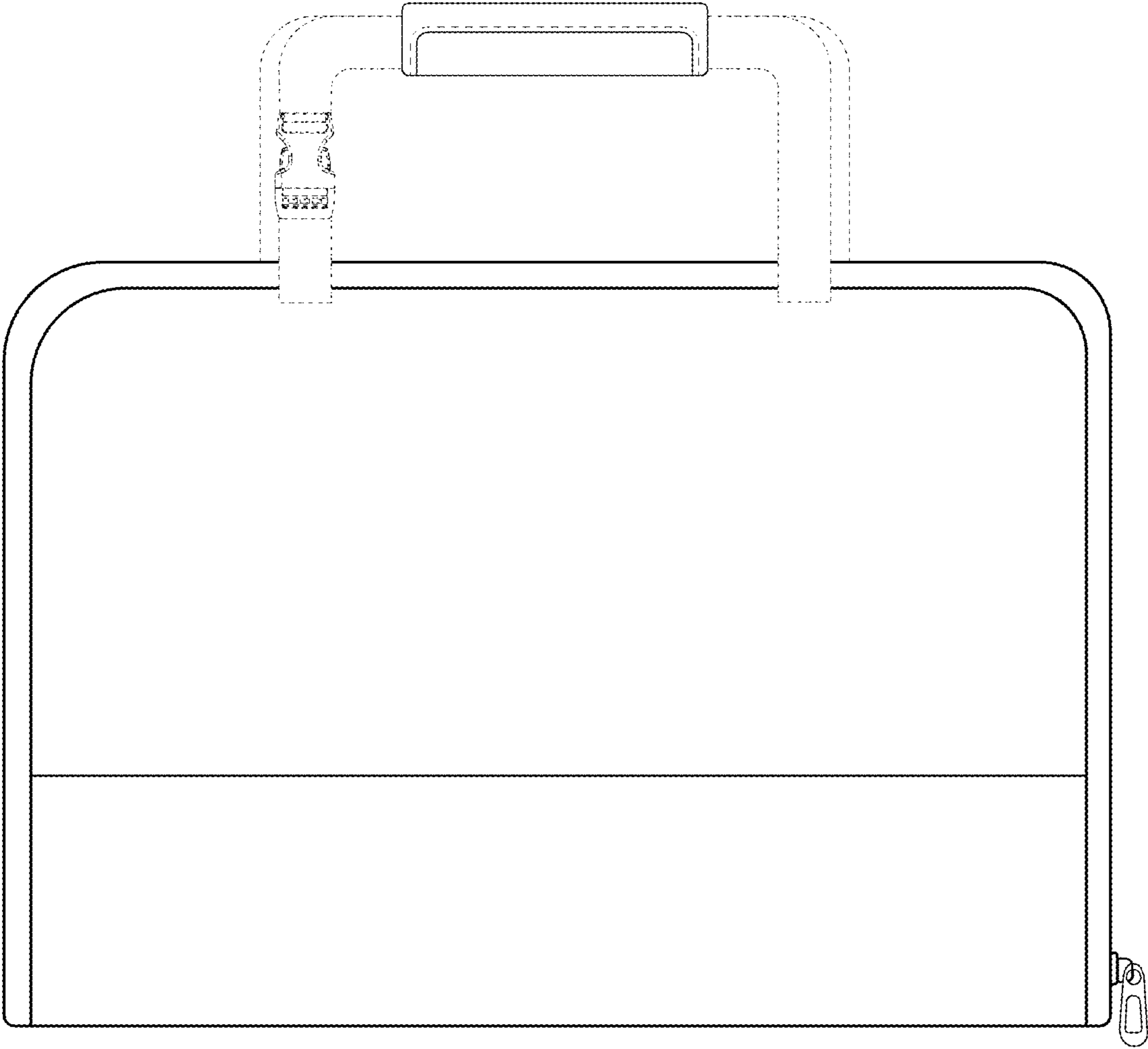


FIG. 3

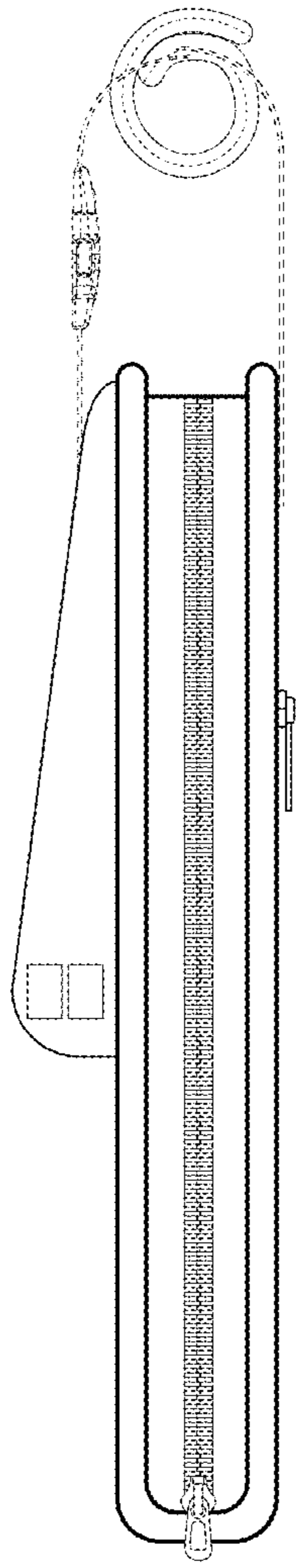


FIG. 4

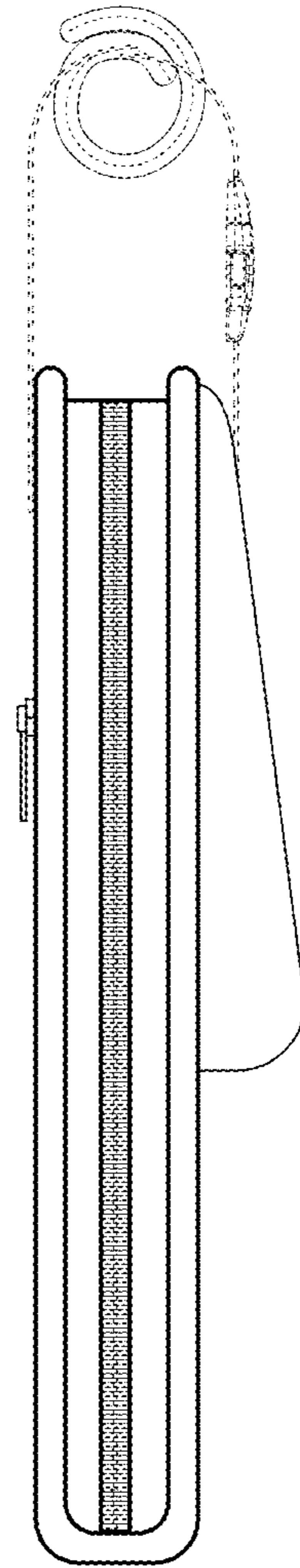


FIG. 5

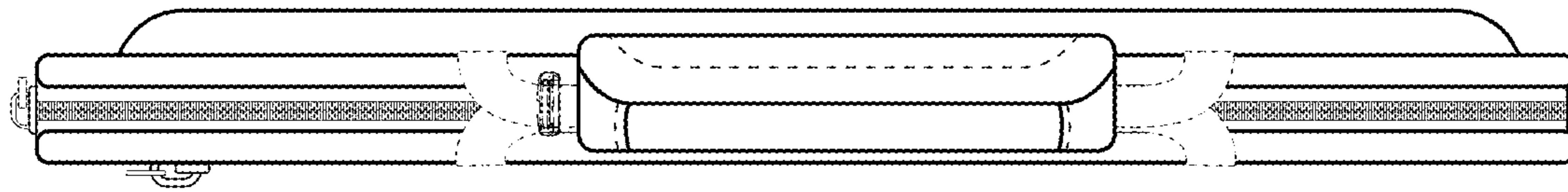


FIG. 6

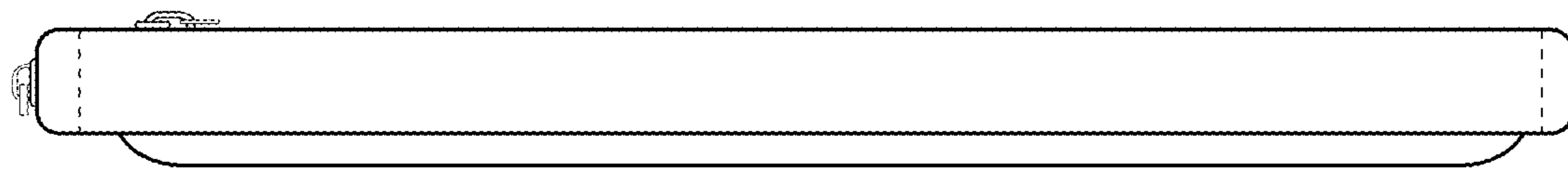


FIG. 7

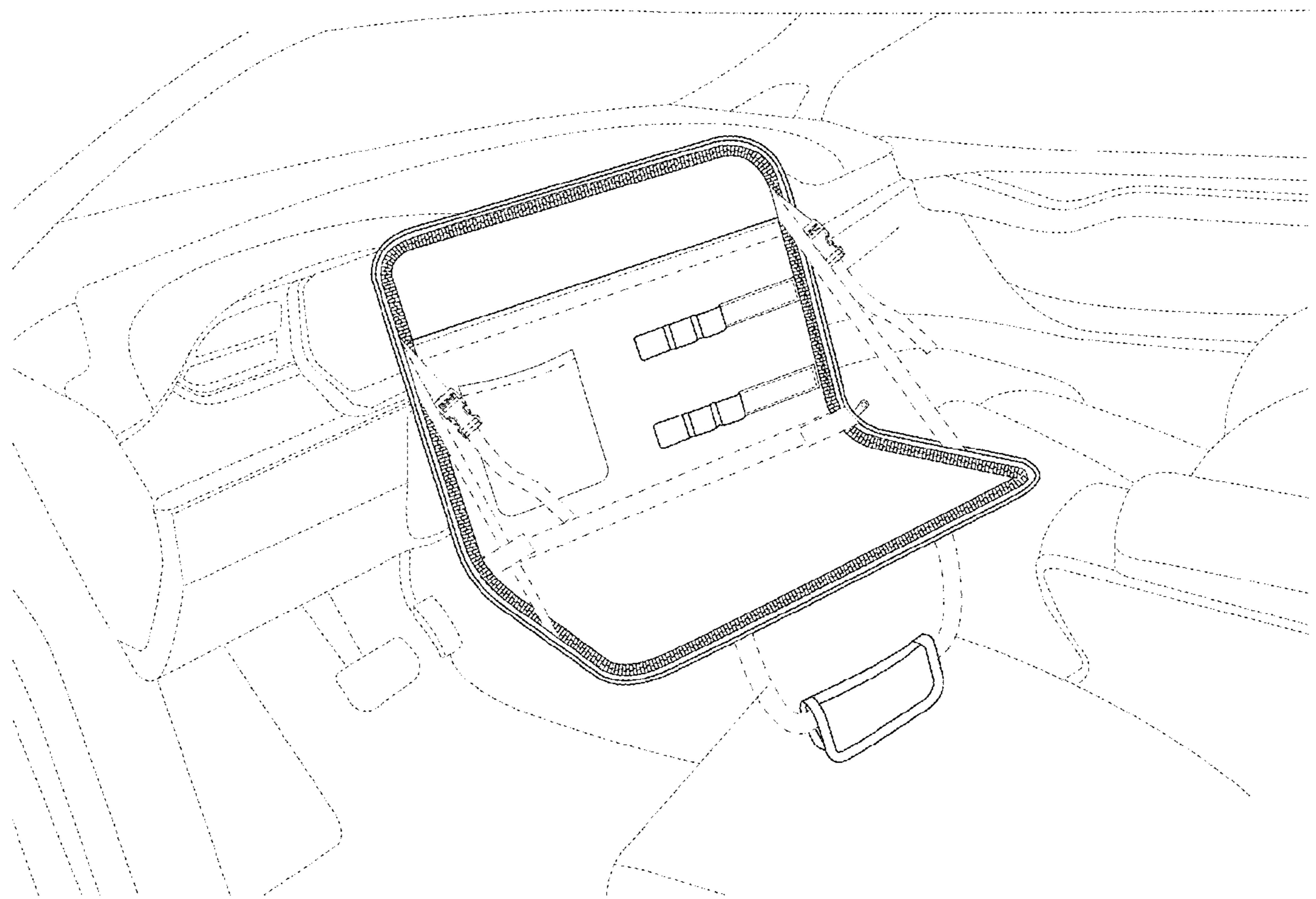


FIG. 8