

US00D920219S

(12) **United States Design Patent**
Iverson

(10) **Patent No.:** **US D920,219 S**

(45) **Date of Patent:** **** May 25, 2021**

(54) **EXTENSION LINK FOR VEHICLE CUP
HOLDER CELL PHONE MOUNT**

D833,369 S * 11/2018 Lan D12/415
D873,813 S * 1/2020 Zhong D14/253
D879,090 S * 3/2020 Chung D14/253

(71) Applicant: **MacNeil IP LLC**, Bolingbrook, IL
(US)

(72) Inventor: **David S. Iverson**, Oak Brook, IL (US)

(73) Assignee: **MACNEIL IP LLC**, Bolingbrook, IL
(US)

(**) Term: **15 Years**

(21) Appl. No.: **29/703,773**

(22) Filed: **Aug. 29, 2019**

(51) **LOC (13) Cl.** **12-16**

(52) **U.S. Cl.**
USPC **D12/415**

(58) **Field of Classification Search**
USPC D12/415, 417, 420, 177, 182, 192, 220,
D12/223, 191, 195, 345, 400, 114, 106,
D12/96; D13/107-110, 118-119, 184;
D14/251, 253, 432, 434, 447; 296/70,
296/24.3, 37.18
CPC B60R 21/045; B60R 7/06; B60R 7/00;
B60R 2300/20; B60R 2300/205; B60R
2300/207; B60K 37/00; B60K 37/04
See application file for complete search history.

(56) **References Cited**

U.S. PATENT DOCUMENTS

6,062,518 A 5/2000 Etue
6,267,340 B1 7/2001 Wang
7,099,466 B2 8/2006 Walsh
7,140,586 B2 11/2006 Seil et al.
9,162,630 B2 10/2015 Pluta
D818,421 S * 5/2018 Hu D12/415

OTHER PUBLICATIONS

Amazon.com, website, image of Belkin Car Cup Holder for Smart-
phones, downloaded on Jan. 17, 2019.
Amazon.com, website, image of Custom Accessories 23384 Heavy
Cup Mount Magnetic Phone Holder, downloaded on Jan. 17, 2019.
(Continued)

Primary Examiner — Abraham Bahta
(74) *Attorney, Agent, or Firm* — Perkins IP Law Group
LLC; Jefferson Perkins

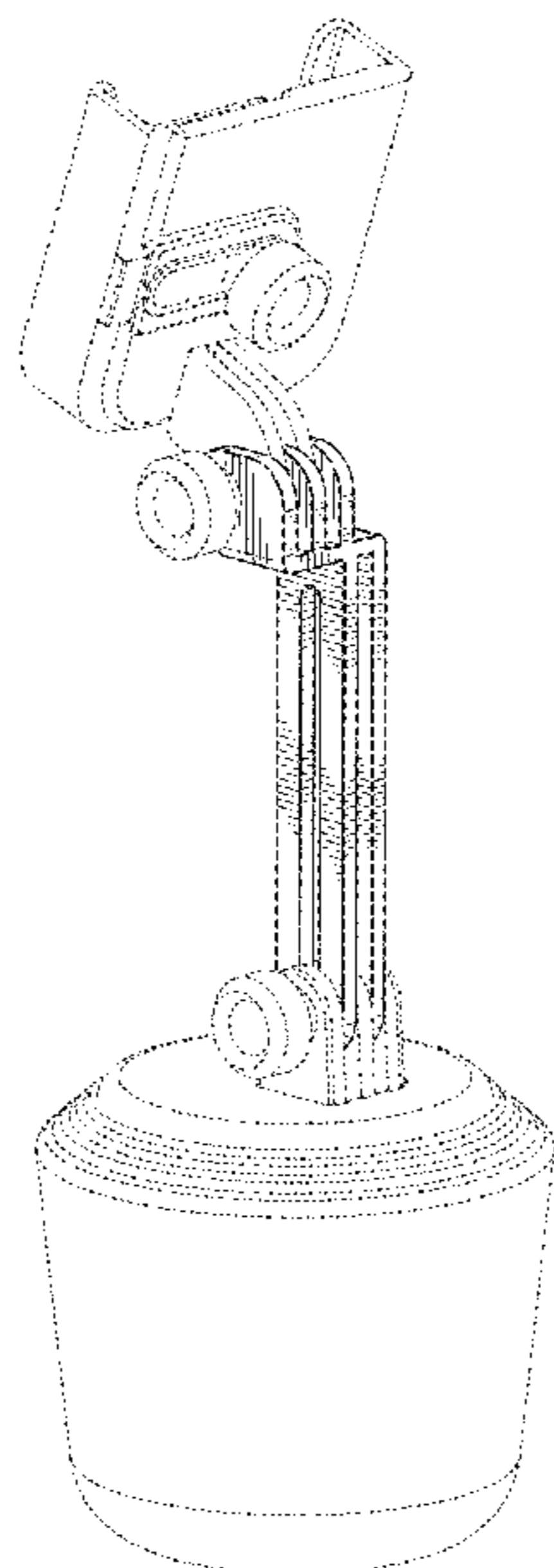
(57) **CLAIM**

The ornamental design for an extension link for vehicle cup
holder cell phone mount, as shown and described.

DESCRIPTION

FIG. 1 is a perspective view of the extension link for vehicle
cup holder cell phone mount showing my new design,
wherein the extension link is mounted to a vehicle cup
holder cell phone mount;
FIG. 2 is another perspective view thereof;
FIG. 3 is a first side view thereof;
FIG. 4 is a second view thereof;
FIG. 5 is a third view thereof;
FIG. 6 is a fourth view thereof;
FIG. 7 is a top view thereof;
FIG. 8 is a bottom view thereof;
FIG. 9 is a sectional view taken along line 9-9 of FIG. 4;
FIG. 10 is a sectional view taken along line 10-10 of FIG.
4;
FIG. 11 is a sectional view taken along line 11-11 of FIG. 6;
and,
FIG. 12 is a sectional view taken along line 12-12 of FIG.
6.
The broken lines shown illustrate environment that forms no
part of the claimed design.

1 Claim, 3 Drawing Sheets



(56)

References Cited

OTHER PUBLICATIONS

Amazon.com, website, image of Macally Adjustable Automobile Cup Holder Phone Mount, downloaded on Jan. 17, 2019.

Amazon.com, website, image of Mediabridge Smartphone Cradle w/Extended Cup Holder Mount, downloaded on Jan. 17, 2019.

Amazon.com, website, image of NNDA CO Universal Adjustable Gooseneck Cup Holder Cradle Car Mount for Phone, downloaded on Jan. 17, 2019.

Amazon.com, website, image of Sunjoyco Car Cup Holder Mount for Phone Tablet, 2-in-1 Car Cradles Adjustable Gooseneck Holder, downloaded on Jan. 17, 2019.

Amazon.com, website, image of Tackform Solutions Car Phone Holder Magnetic Mount, downloaded on Jan. 17 2019.

Amazon.com, website, image of Tnp Cup Holder Phone Mount, Universal Car Cup Smartphone Cradle Clamp w/ Flexible Neck, downloaded on Jan. 17, 2019.

Amazon.com, website, image of USA Gear Cup Holder Suction Mount Surface Adapter, downloaded on Jan. 17, 2019.

Crutchfield.com, website, image of Bracketron BT 16572 PhabGrip cup holder mount, downloaded on Jan. 17, 2019.

HDAccessory.com, website, image of Universal Smartphone Cup Holder Mount, downloaded on Jan. 17, 2019.

Stacksocial.com, website, image of U-Grip Cup Holder Car Mount for Phones and Tablets, downloaded on Jan. 17, 2019.

Walmart.com, website, image of Universal Adjustable Gooseneck Cup Holder Cradle Car Mount for Cell Phone, downloaded on Jan. 17, 2019.

Rakuten.com, website, image of Smartphone 8" Long Car Cup Holder, IKross Phone Mount, downloaded on Jan. 17, 2019.

* cited by examiner

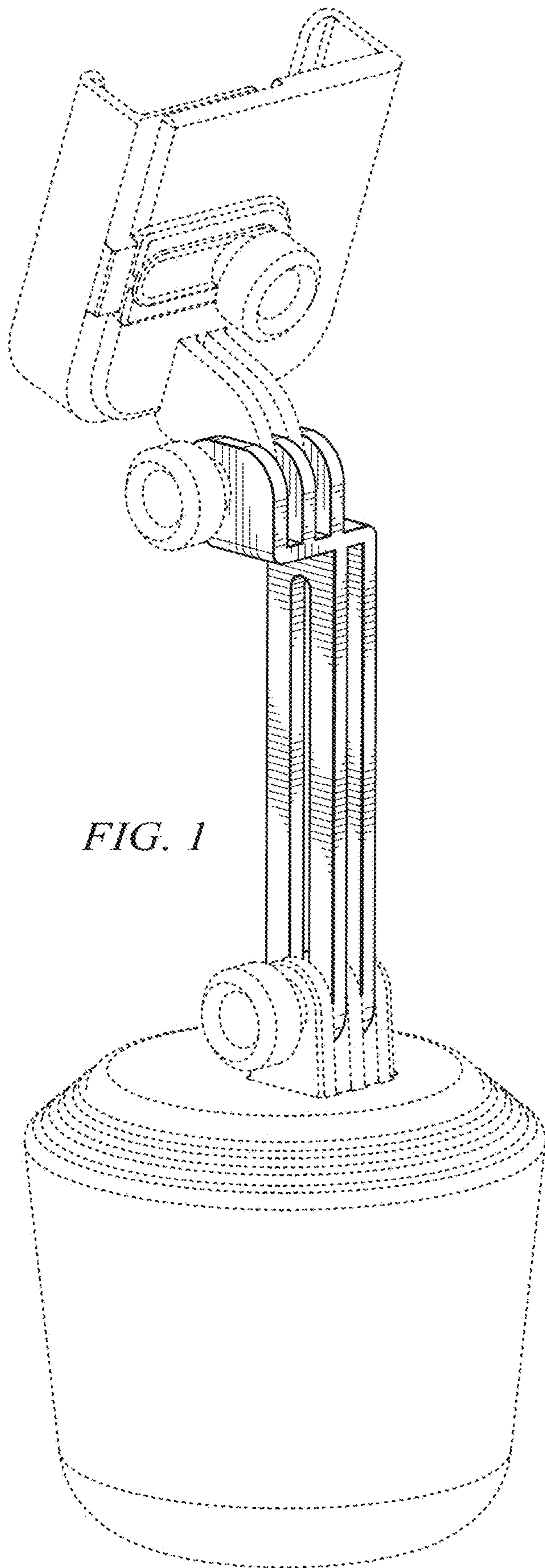


FIG. 1

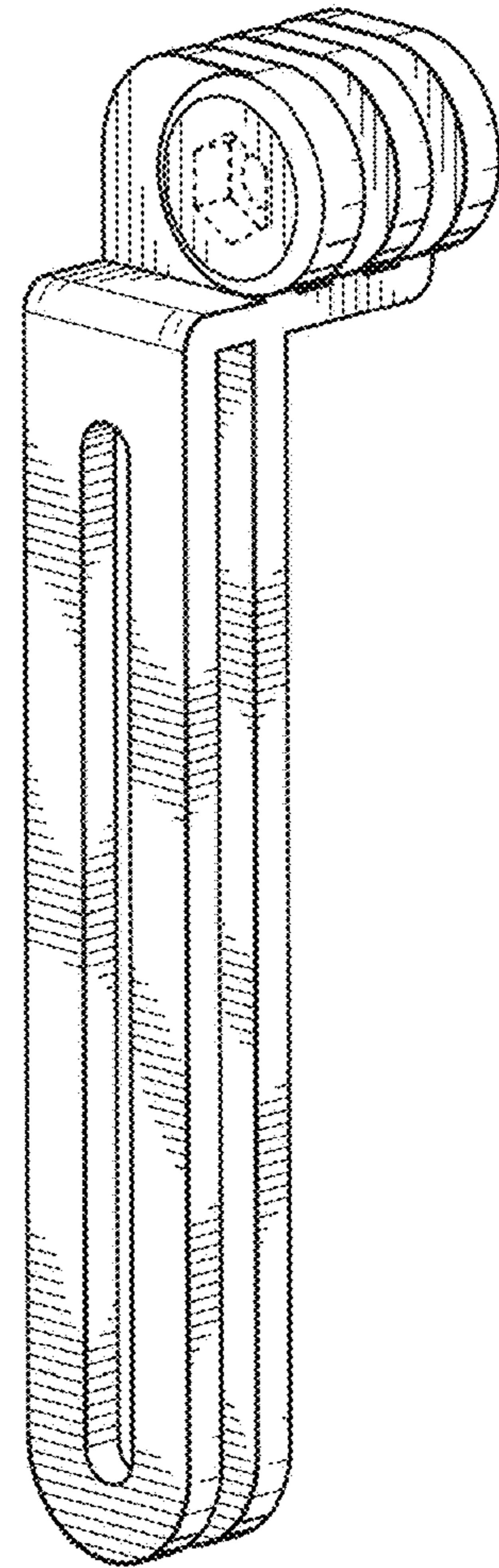


FIG. 2

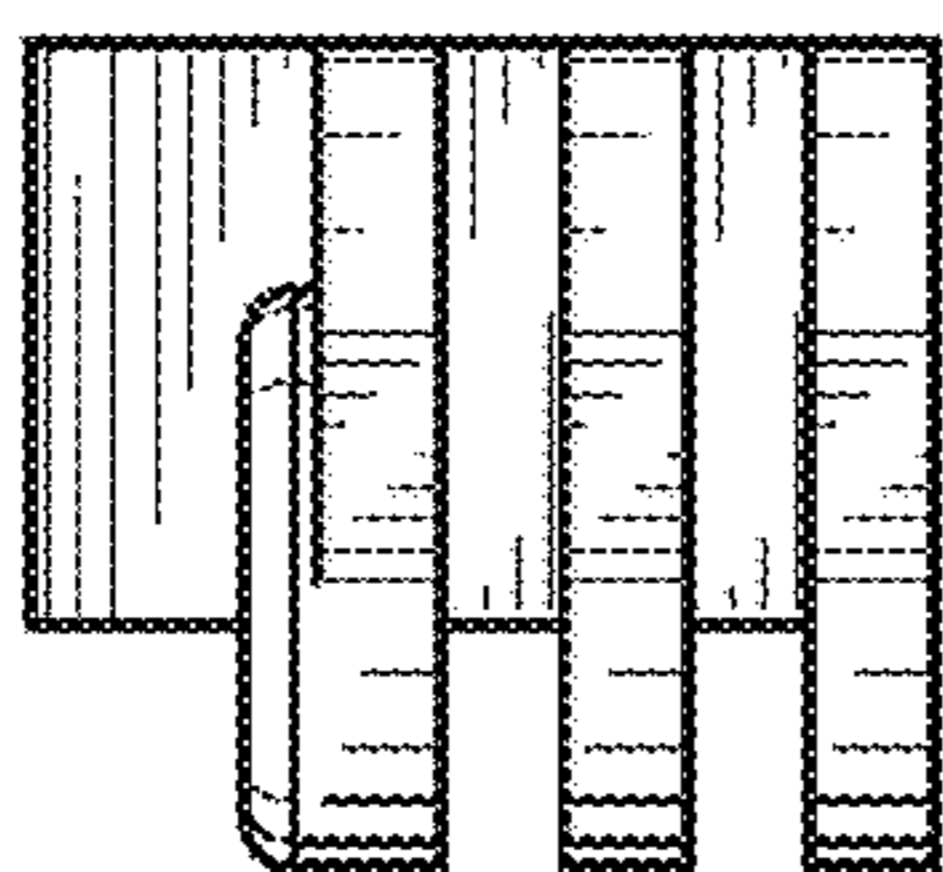


FIG. 7

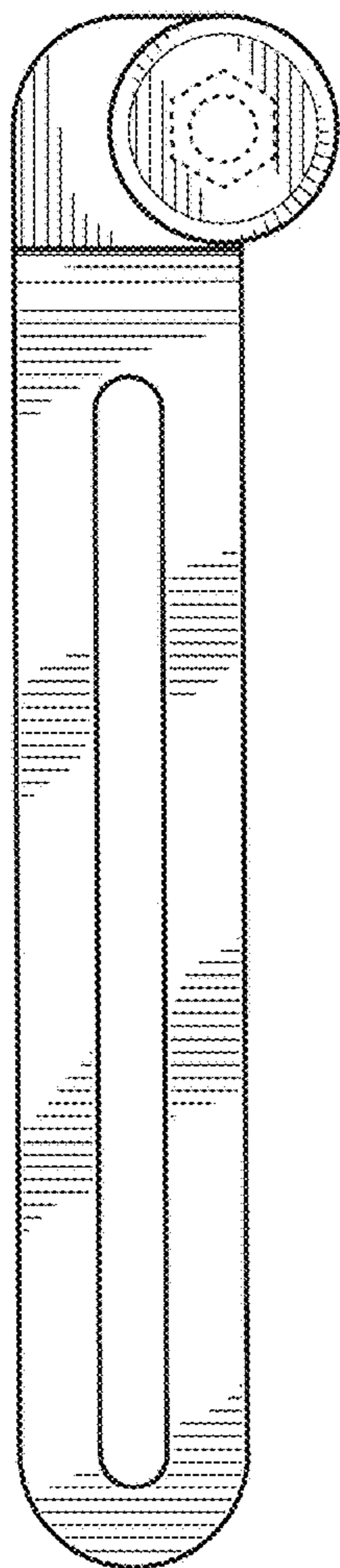


FIG. 3

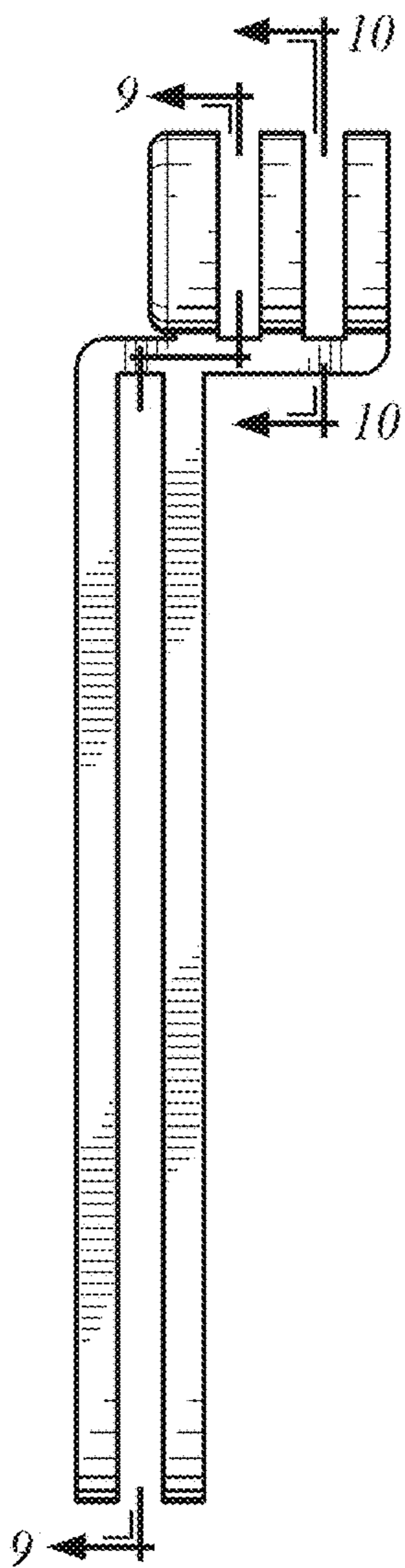


FIG. 4

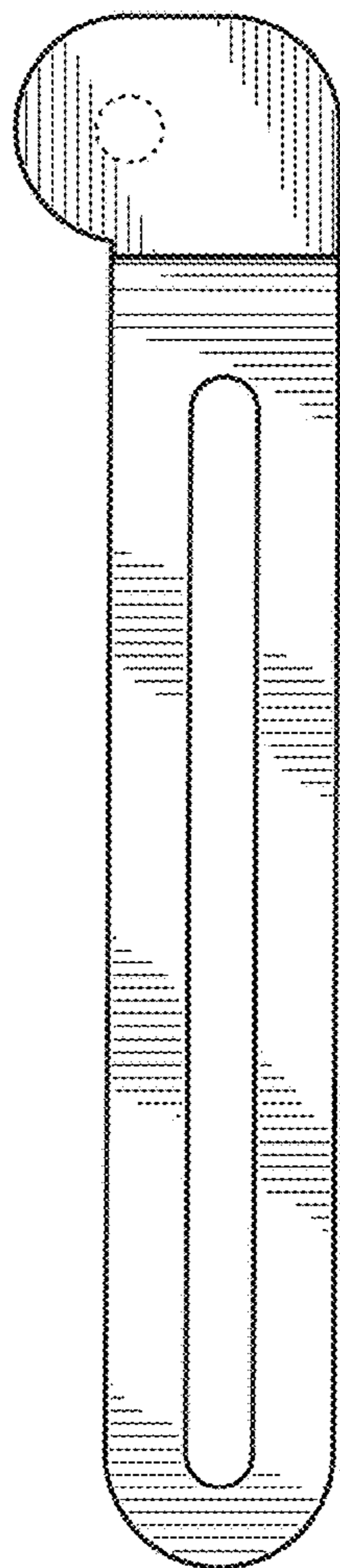


FIG. 5

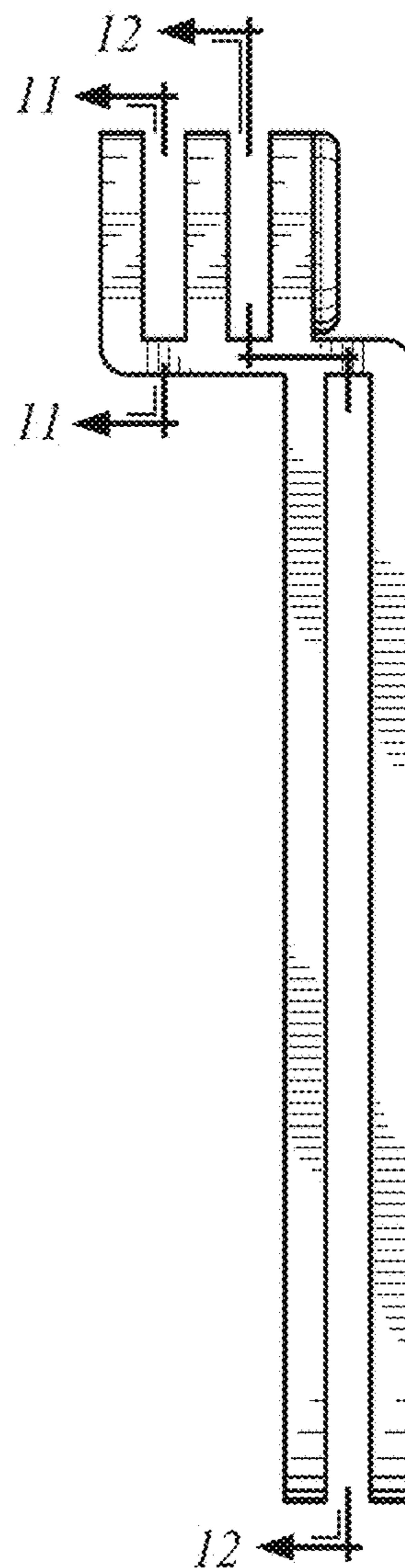


FIG. 6

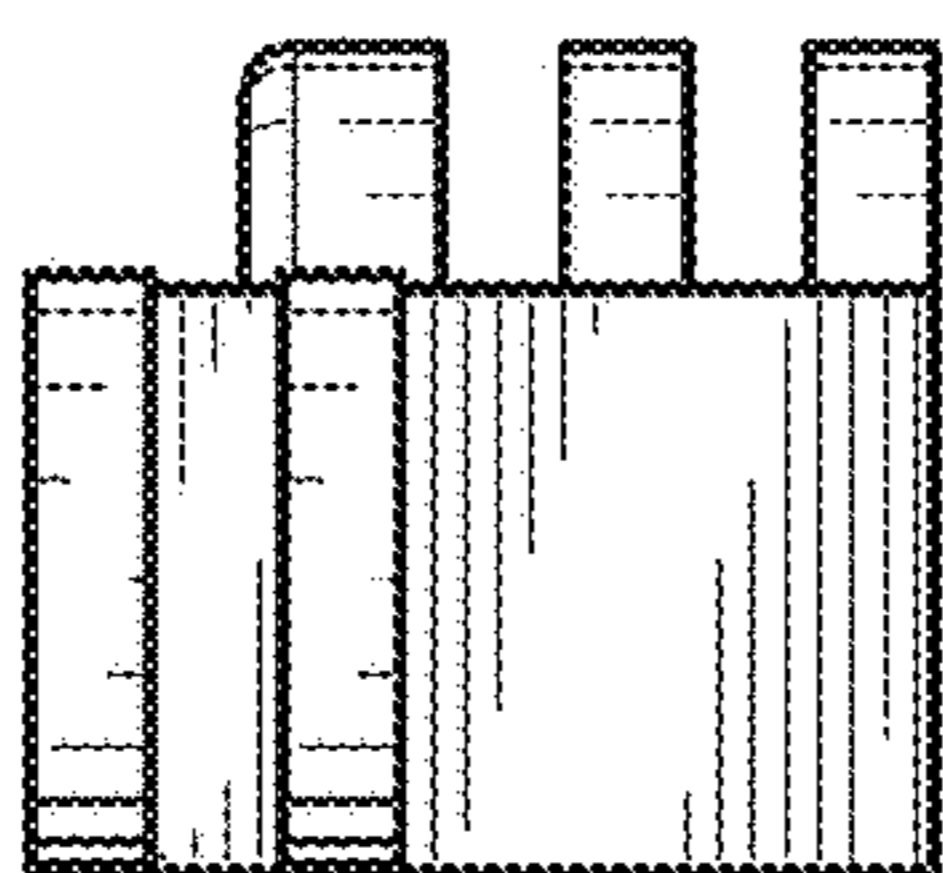


FIG. 8

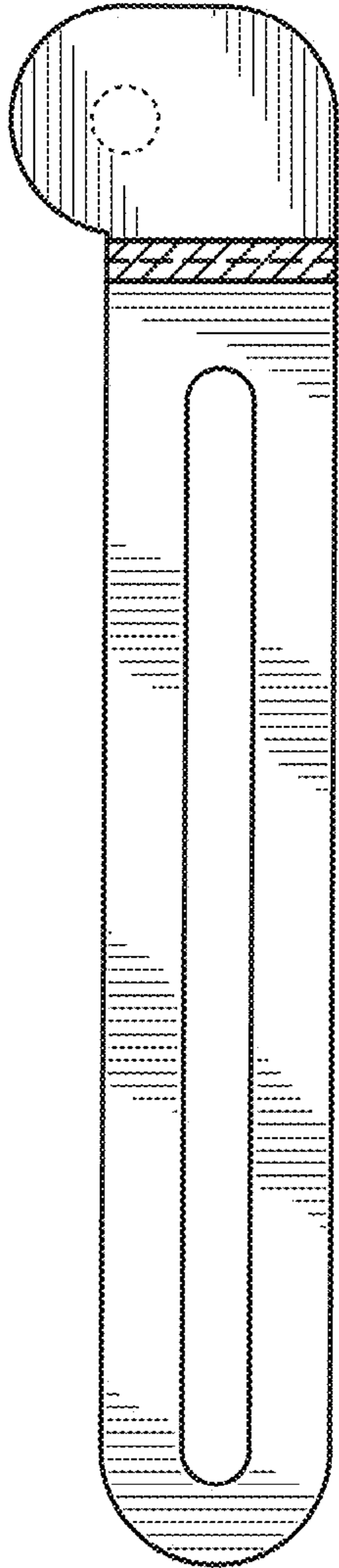


FIG. 9

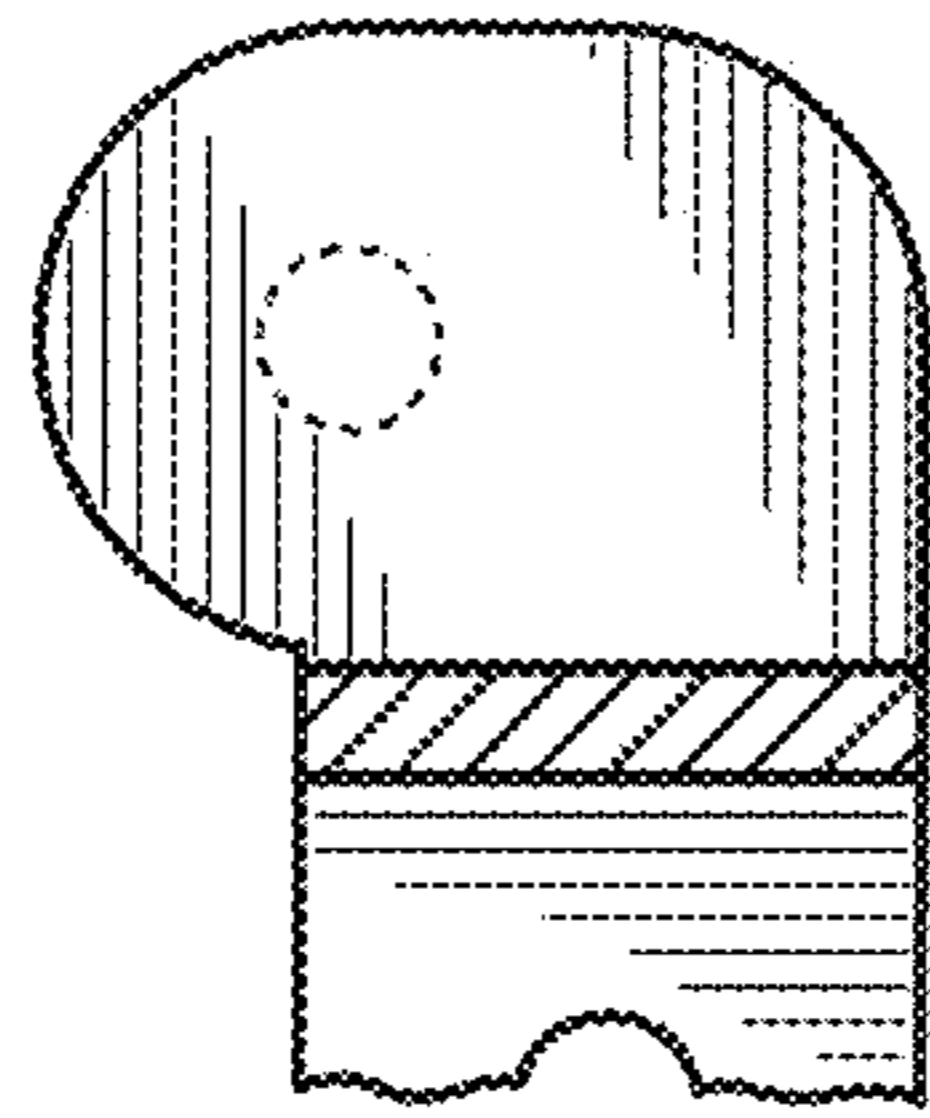


FIG. 10

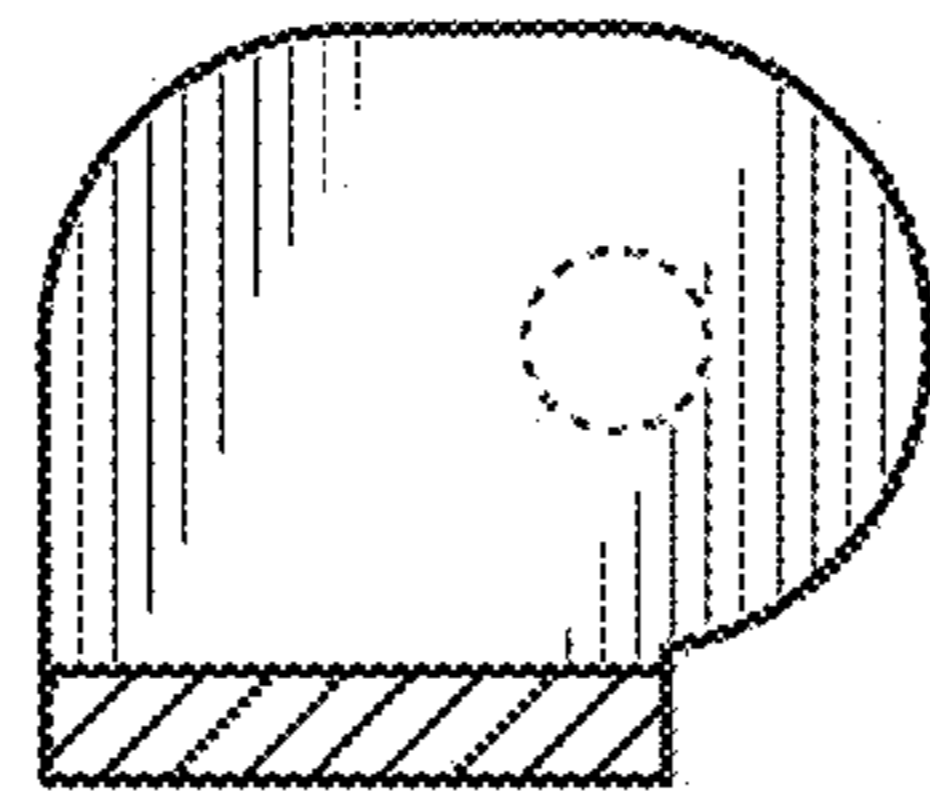


FIG. 11

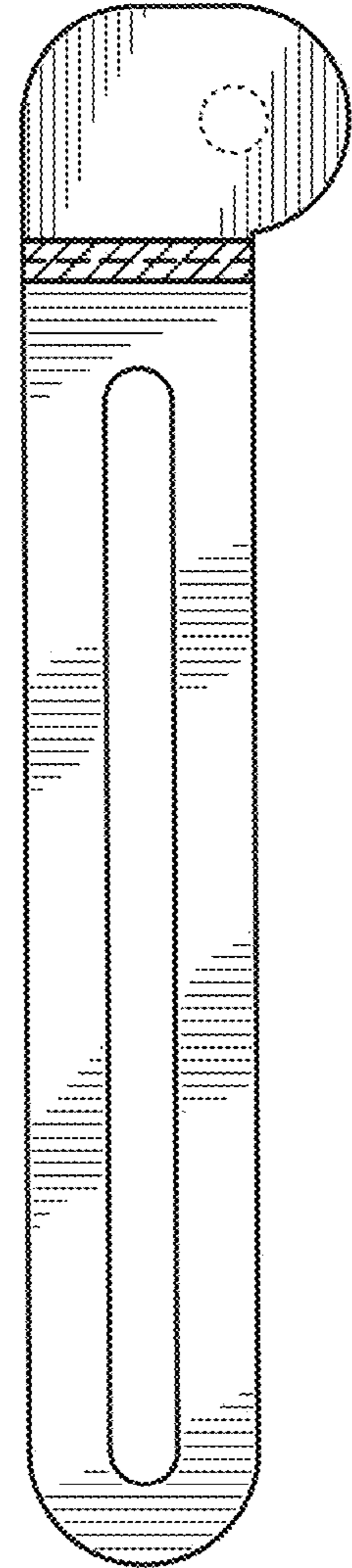


FIG. 12