



US00D920218S

(12) **United States Design Patent**
Chen

(10) **Patent No.:** **US D920,218 S**

(45) **Date of Patent:** **** May 25, 2021**

(54) **TAILGATE HANDLE CAMERA MOUNT**

2018/0086283 A1* 3/2018 Green B62D 33/0273
2018/0272976 A1* 9/2018 Root B60R 11/04
2019/0118729 A1* 4/2019 Hartland B60J 5/107

(71) Applicant: **HU SHAN AUTO PARTS INC.**, New Taipei (TW)

(72) Inventor: **Ying-Chih Chen**, New Taipei (TW)

(73) Assignee: **HU SHAN AUTO PARTS INC.**, New Taipei (TW)

(**) Term: **15 Years**

(21) Appl. No.: **29/717,982**

(22) Filed: **Dec. 20, 2019**

(51) **LOC (13) Cl.** **12-16**

(52) **U.S. Cl.**
USPC **D12/400; D16/200**

(58) **Field of Classification Search**
USPC D12/163, 167, 169, 172, 173, 181, 187,
D12/190, 196, 223, 400, 186, 188, 189;
D21/561; D16/200, 208, 201, 202, 203,
D16/204, 218, 219, 300, 309; D8/302;
D26/28

CPC .. B60R 11/04; B60R 1/00; B60R 1/08; B60R
1/081; B60R 1/082; B60R 1/078; B60R
1/074; B60R 1/076; B60R 21/0134; B60R
2011/004; B60R 2011/0085; B62D
33/023; B60Q 1/2665; E05Y 2900/50;
E05Y 2900/544; E05Y 2400/852; E05Y
2600/10; E05F 15/42; G01S 19/42; G02B
27/0006

See application file for complete search history.

(56) **References Cited**

U.S. PATENT DOCUMENTS

D536,012 S * 1/2007 Dayan D14/129
D821,278 S * 6/2018 Unveren D12/187
D875,810 S * 2/2020 Hohnl D16/208
2018/0001820 A1* 1/2018 Higgins B62D 33/0273

OTHER PUBLICATIONS

Master Tailgaters Tailgate Handle, Published on Mar. 23, 2016 [online], [retrieved on Dec. 18, 2020]. Retrieved from the Internet: https://www.amazon.com/Master-Tailgaters-Replacement-Chevrolet-Silverado/dp/B075KSDGZ9/ref=sr_1_1?dchild=1&keywords=B075KSDGZ9&qid=1608318027&sr=8-1 (Year: 2016).*

* cited by examiner

Primary Examiner — Christian P. McLean

Assistant Examiner — Adam C Mager

(74) *Attorney, Agent, or Firm* — Burriss Law, PLLC

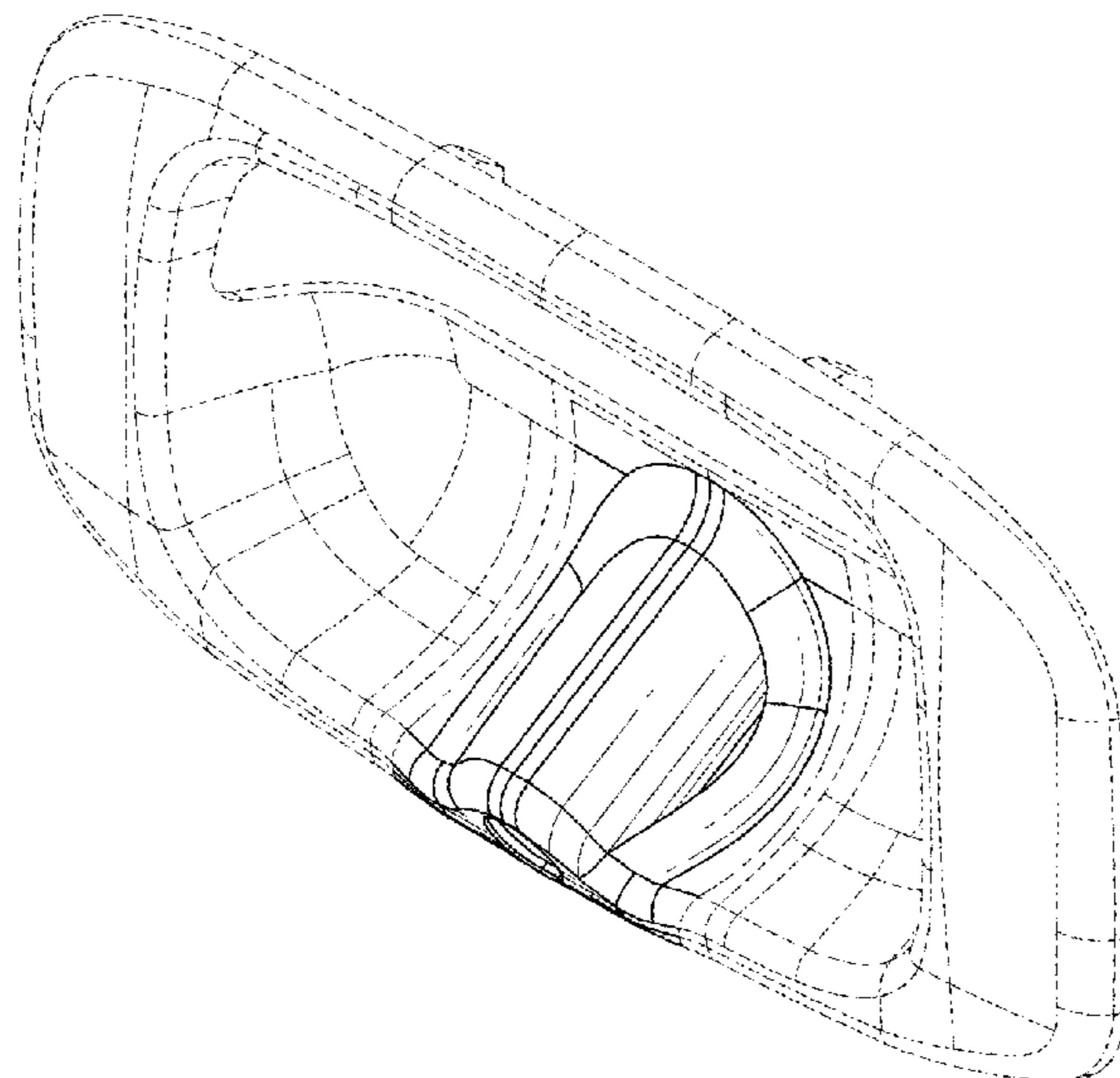
(57) **CLAIM**

The ornamental design for a tailgate handle camera mount, as shown and described.

DESCRIPTION

FIG. 1 is a perspective view of a tailgate handle camera mount showing my new design;
FIG. 2 is a front elevational view thereof;
FIG. 3 is a rear elevational view thereof;
FIG. 4 is a left side elevational view thereof;
FIG. 5 is a right side elevational view thereof;
FIG. 6 is a top plan view thereof;
FIG. 7 is a bottom plan view thereof;
FIG. 8 is another perspective view thereof; and,
FIG. 9 is a sectional view taken along line 9-9 of FIG. 2.
The evenly-dashed broken lines depicts portions of a tailgate handle camera mount in which the design is embodied that form no part of the claimed design.
The dot-dashed broken lines are for defining the bounds of the claimed design only and form no part of the claimed design.

1 Claim, 5 Drawing Sheets



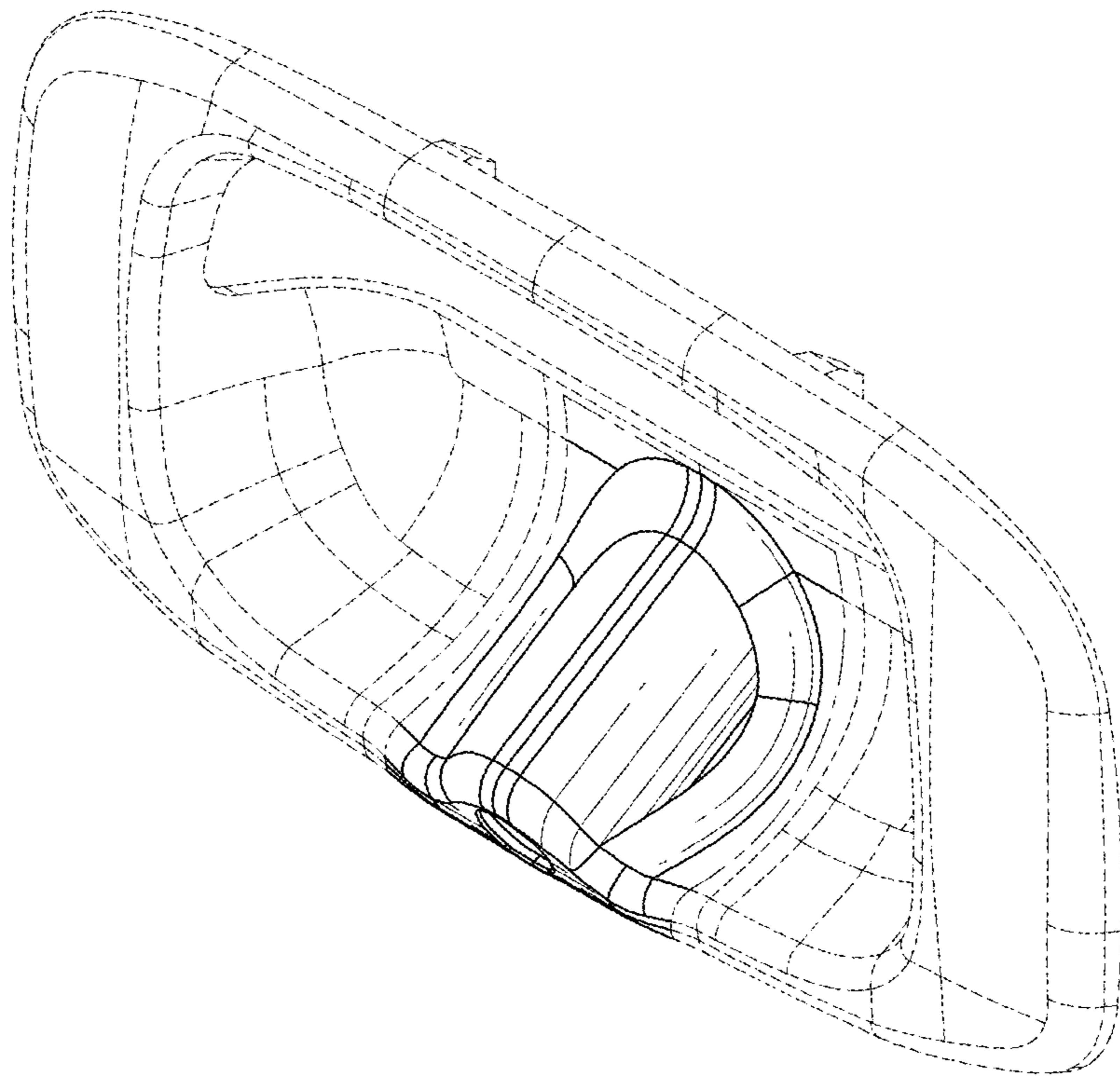


FIG.1

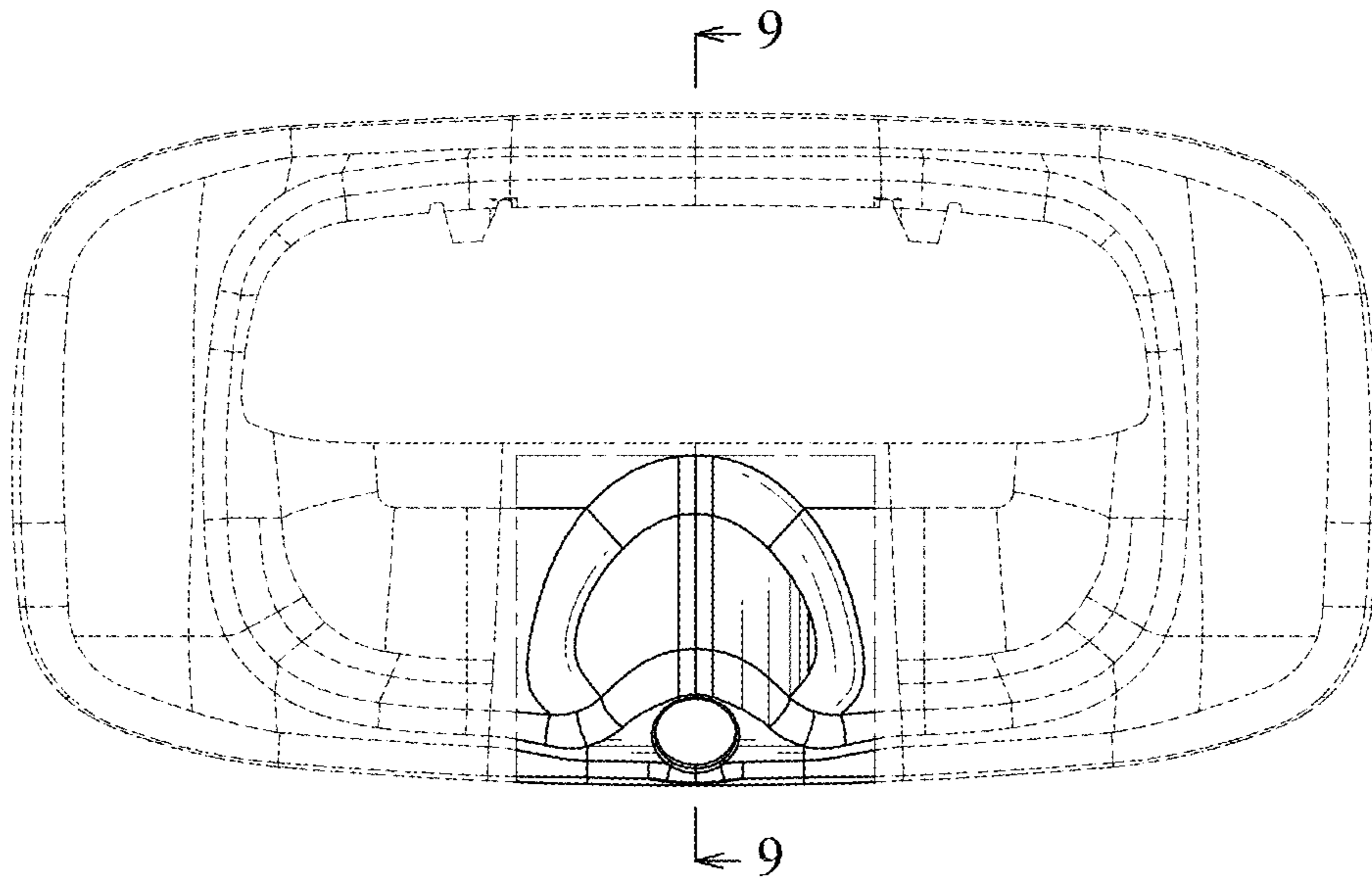


FIG.2

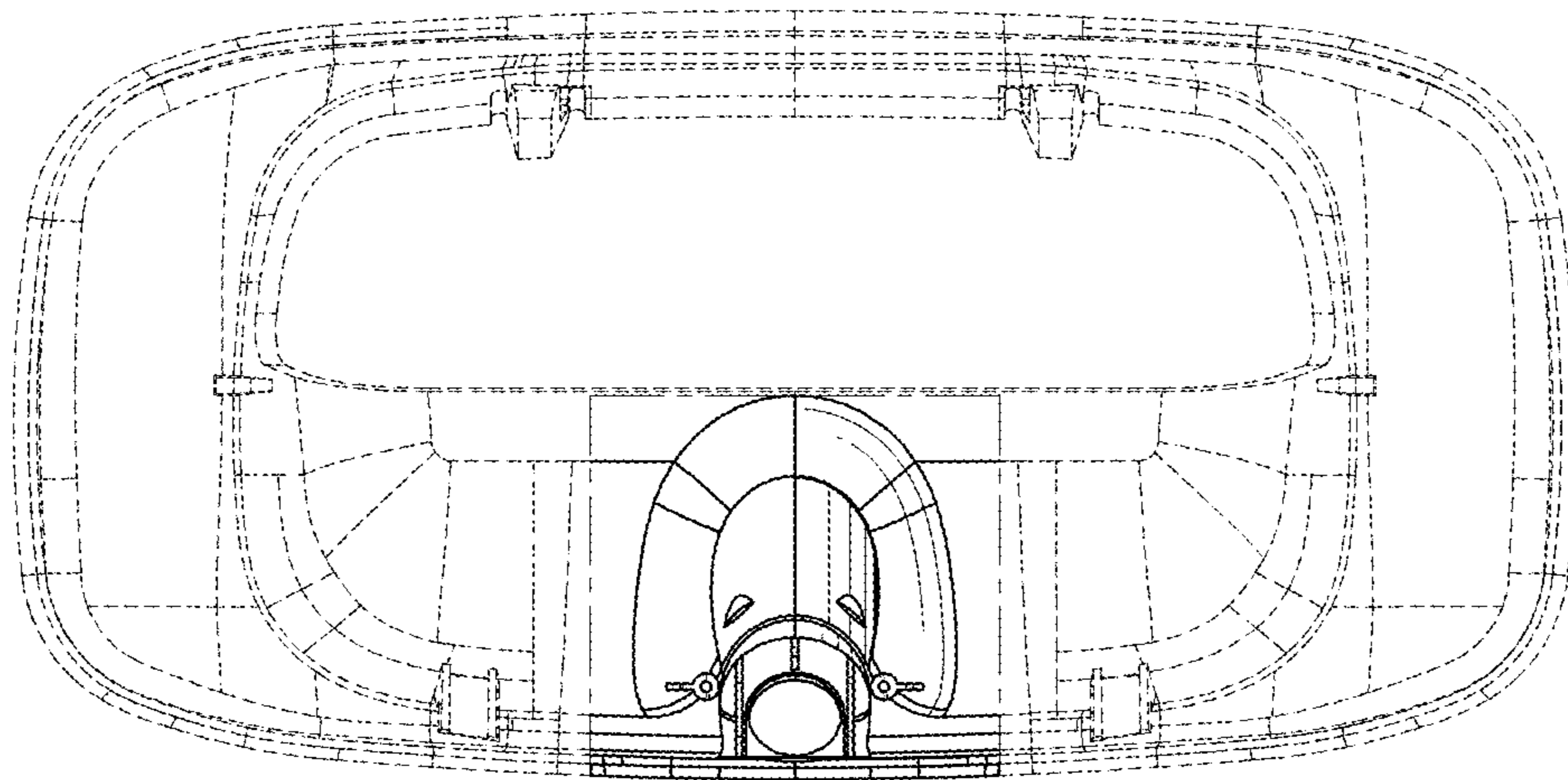


FIG.3

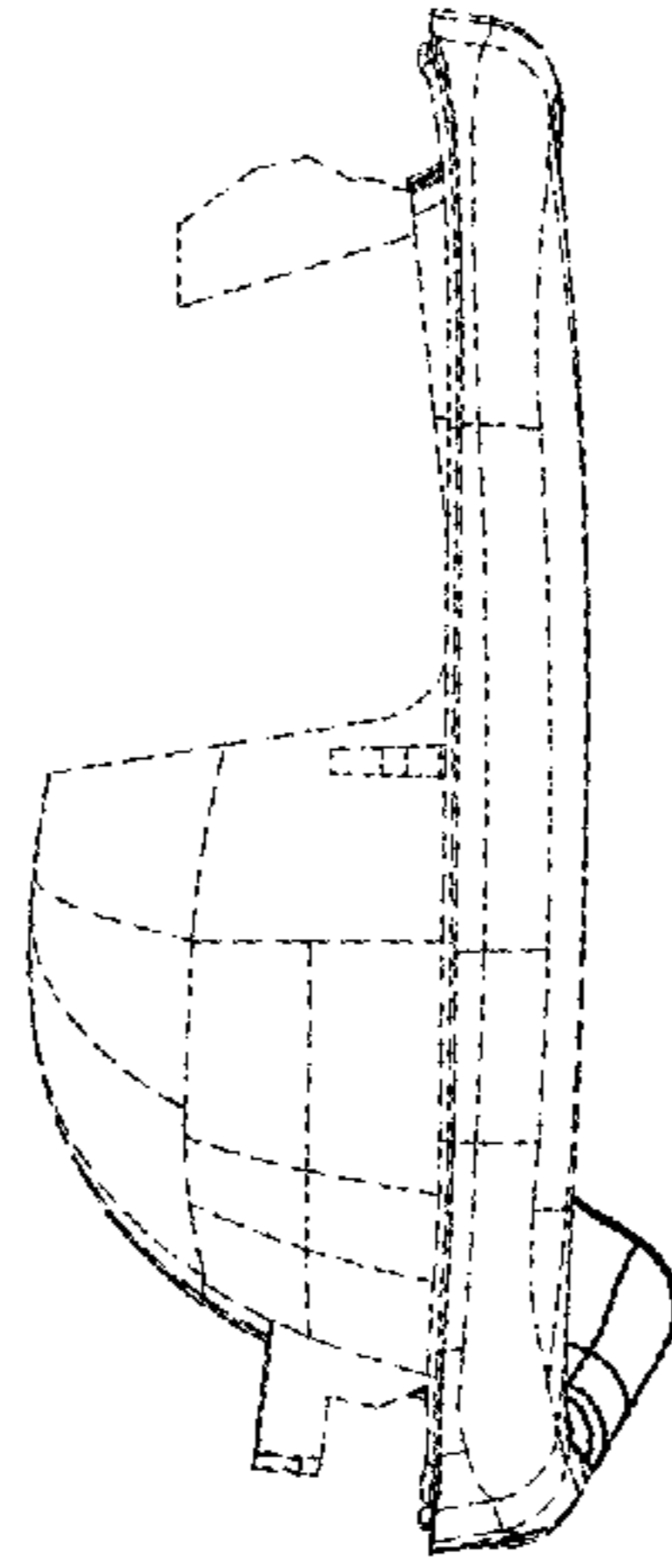


FIG.4

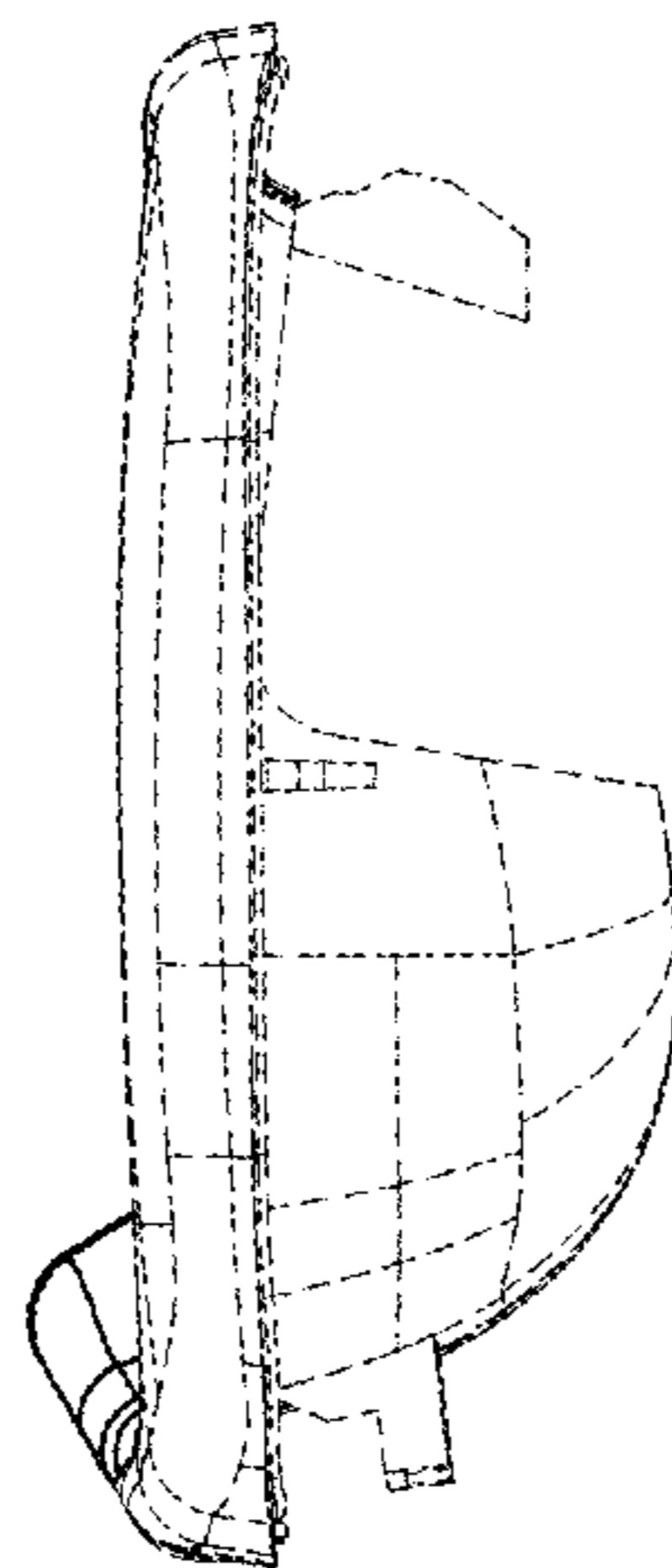


FIG.5

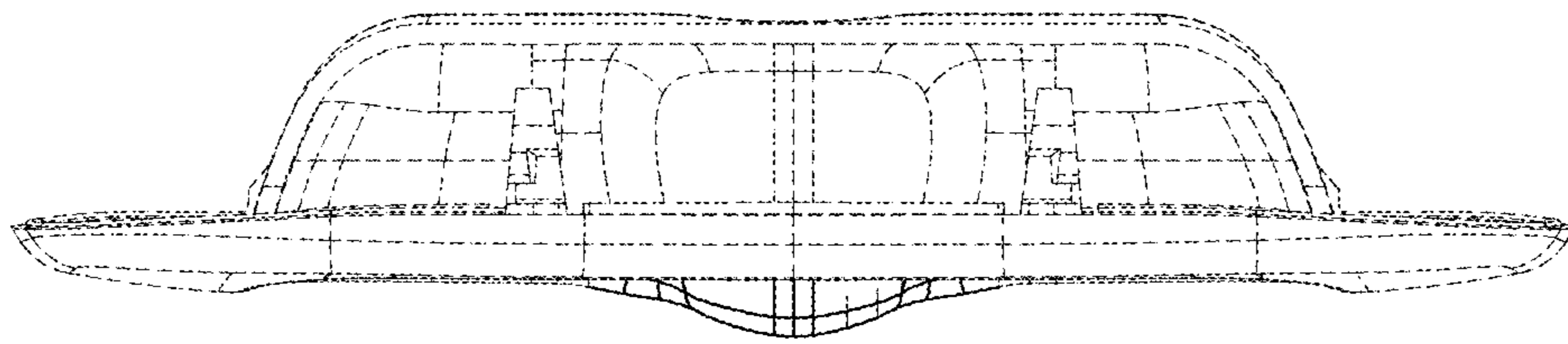


FIG. 6

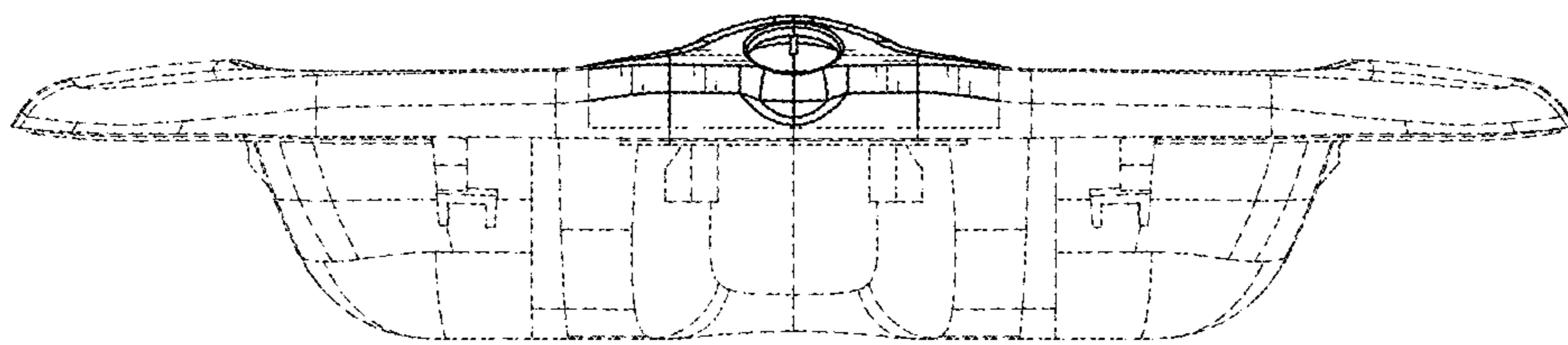


FIG. 7

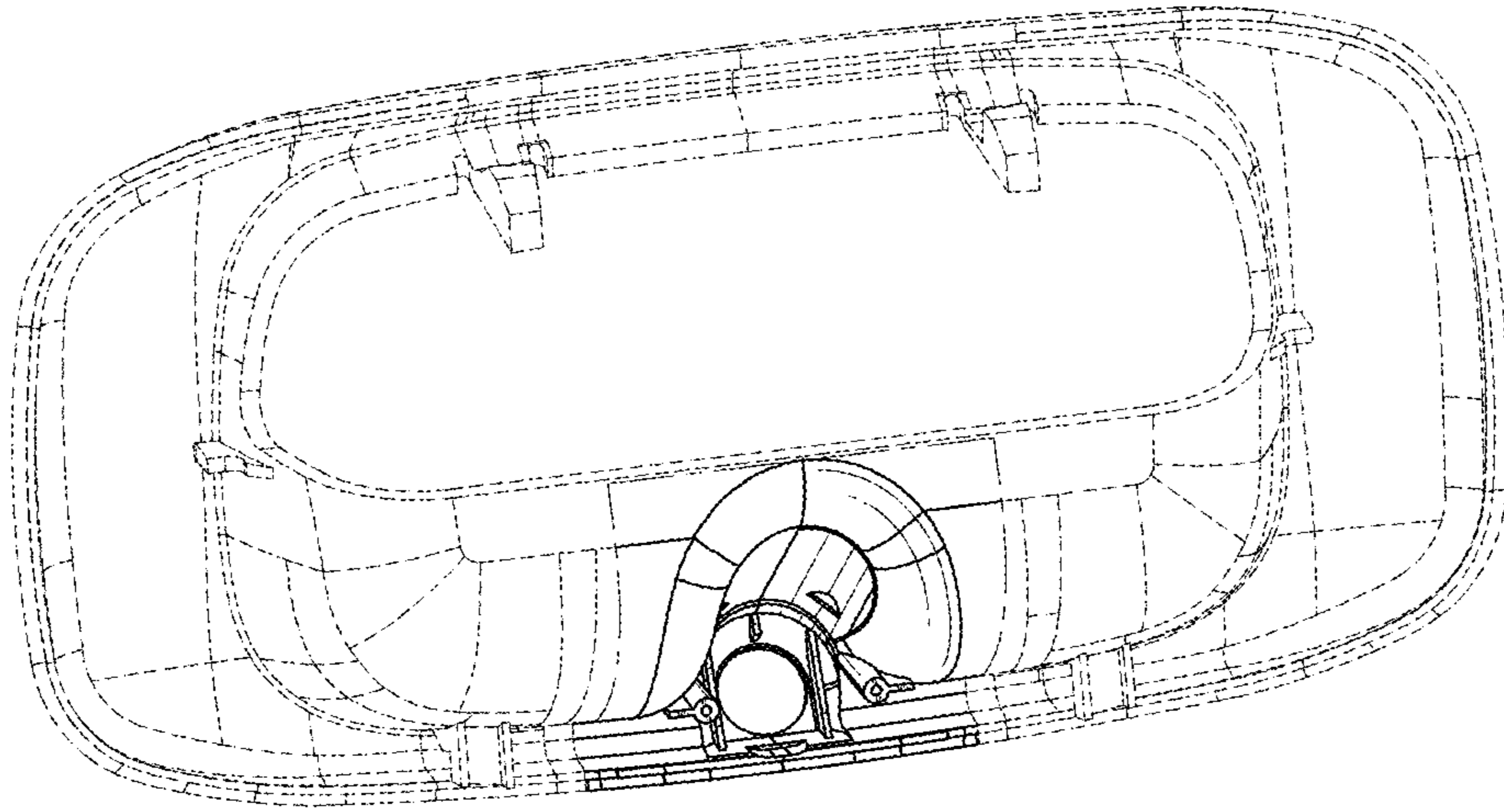


FIG. 8

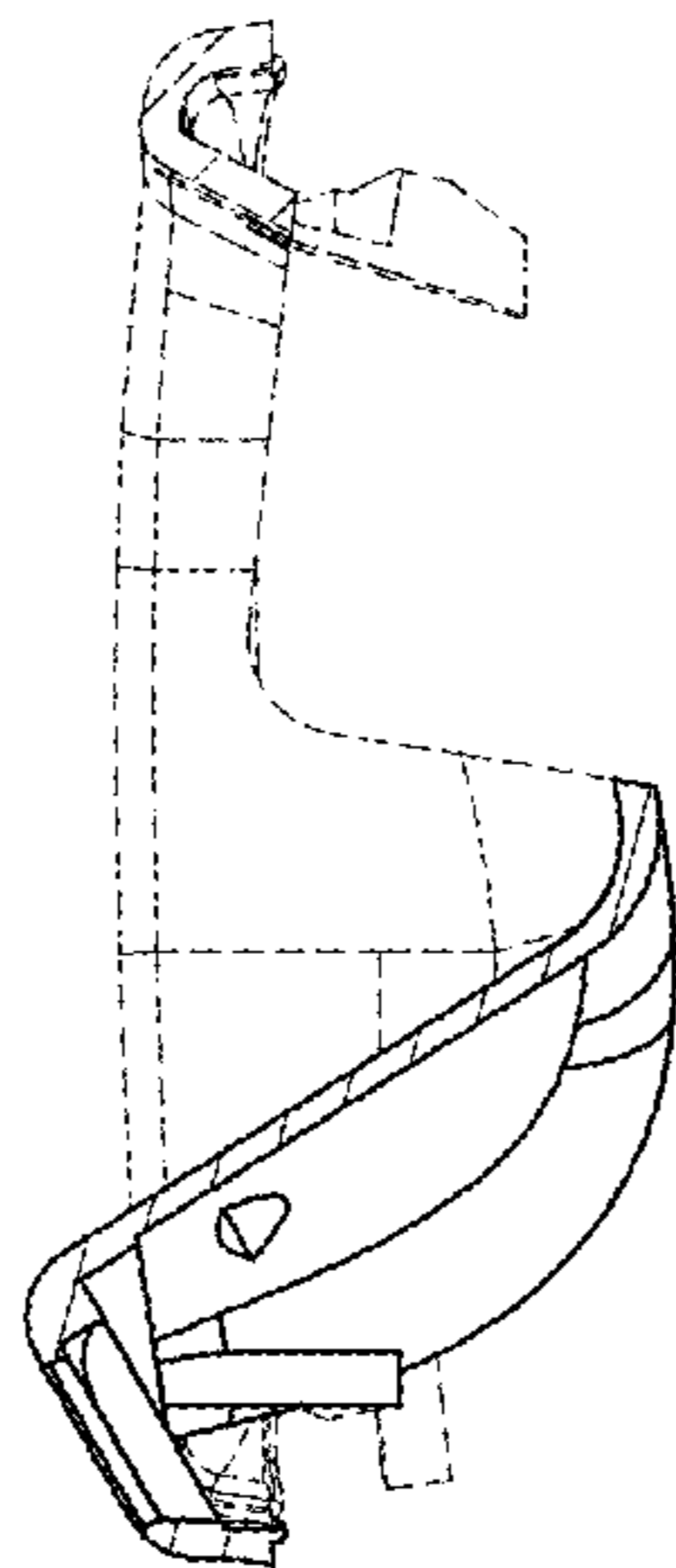


FIG. 9