



US00D920214S

(12) **United States Design Patent** (10) **Patent No.:** **US D920,214 S**  
**Oliveira et al.** (45) **Date of Patent:** **\*\* May 25, 2021**

(54) **VERTICAL AND SHORT TAKEOFF AND LANDING AIRCRAFT**

*Primary Examiner* — Marissa J Cash  
(74) *Attorney, Agent, or Firm* — Nixon & Vanderhye P.C.

(71) Applicant: **EMBRAER S.A.**, São José dos Campos—SP (BR)

(57) **CLAIM**

The ornamental design a “vertical and short takeoff and landing aircraft”, as shown and described.

(72) Inventors: **Luiz Fernando Tedeschi Oliveira**, São José dos Campos—SP (BR); **Carlos Eduardo de Carvalho**, São José dos Campos—SP (BR); **Jay Beever**, São José dos Campos—SP (BR)

**DESCRIPTION**

(73) Assignee: **EMBRAER S.A.**, São José dos Campos—SP (BR)

FIG. 1 is a front top port side perspective view of a first embodiment of a vertical and short takeoff and landing aircraft showing our new and original design thereof; FIG. 2 is a front top starboard side perspective view thereof; FIG. 3 is an aft top starboard side perspective view thereof; FIG. 4 is an aft top port side perspective view thereof; FIG. 5 is a front elevational view thereof; FIG. 6 is an aft elevational view thereof; FIG. 7 is a top plan view thereof; FIG. 8 is a bottom plan view thereof; FIG. 9 is a port side elevational view thereof; and FIG. 10 is a starboard side elevational view thereof, and wherein FIG. 11 is a front top port side perspective view of a second embodiment of a vertical and short takeoff and landing aircraft showing our new and original design thereof; FIG. 12 is a front top starboard side perspective view thereof; FIG. 13 is an aft top starboard side perspective view thereof; FIG. 14 is an aft top port side perspective view thereof; FIG. 15 is a front elevational view thereof; FIG. 16 is an aft elevational view thereof; FIG. 17 is a top plan view thereof; FIG. 18 is a bottom plan view thereof; FIG. 19 is a port side elevational view thereof; and FIG. 20 is a starboard side elevational view thereof. The broken lines in the drawings depict portions of the vertical and short takeoff and landing aircraft that form no part of the claimed design.

(\*\*) Term: **15 Years**

(21) Appl. No.: **29/665,290**

(22) Filed: **Oct. 2, 2018**

(51) **LOC (13) Cl.** ..... **12-01**

(52) **U.S. Cl.**  
USPC ..... **D12/340**

(58) **Field of Classification Search**  
USPC ..... D12/1–4, 16.1, 319–345; D21/436–455; D25/13, 199  
CPC ..... B64C 29/0033; B64C 29/02; B64C 2201/021; B64C 2201/088; B64C 2201/104; B64C 2201/141; B64C 29/00; B64C 29/0025; B64G 2001/1064; B64G 2001/1071; B64G 5/00; B64G 1/46  
See application file for complete search history.

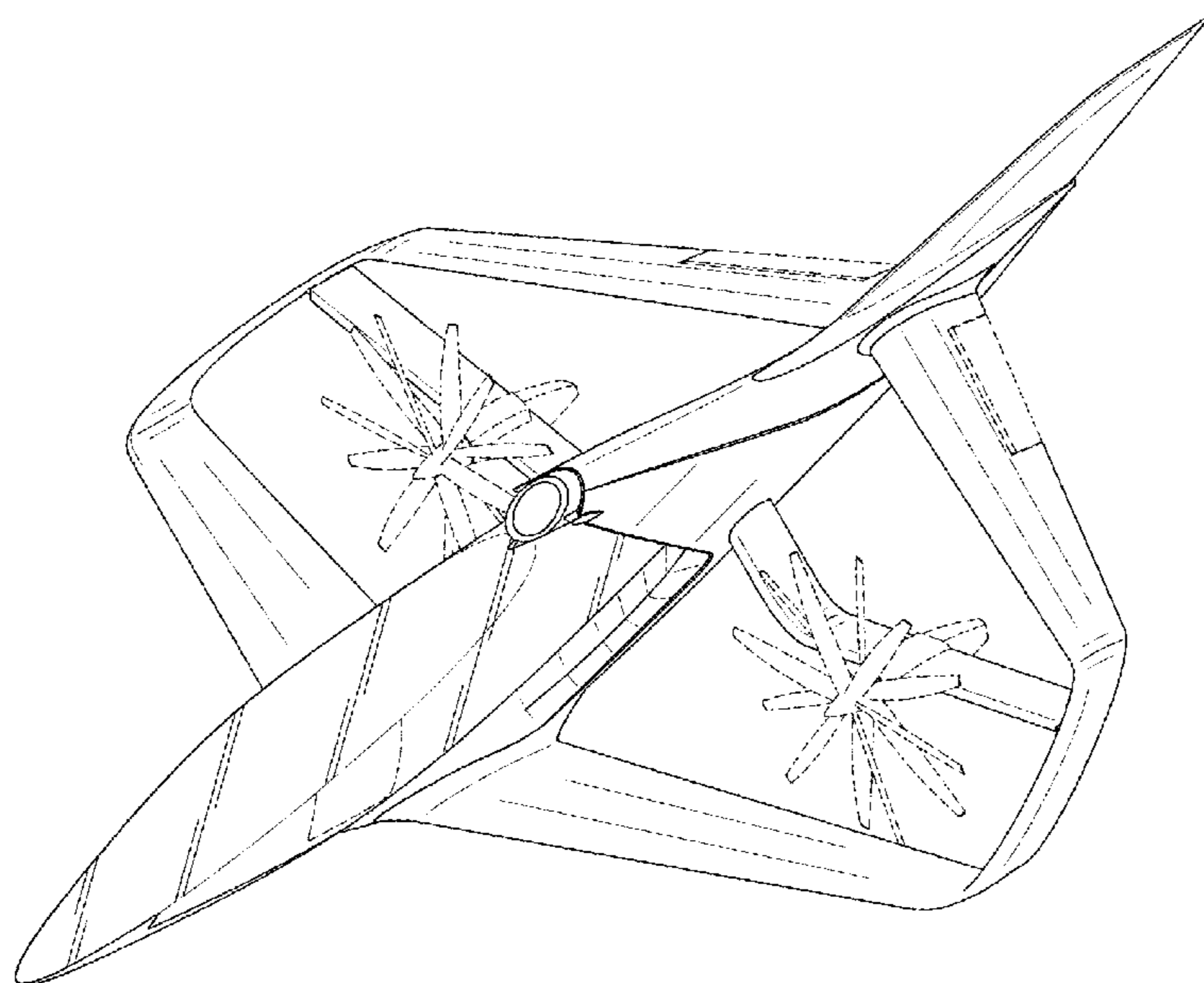
(56) **References Cited**

**U.S. PATENT DOCUMENTS**

D196,157 S \* 8/1963 Petry ..... D12/330  
4,146,199 A \* 3/1979 Wenzel ..... B64C 39/068  
244/36

(Continued)

**1 Claim, 18 Drawing Sheets**





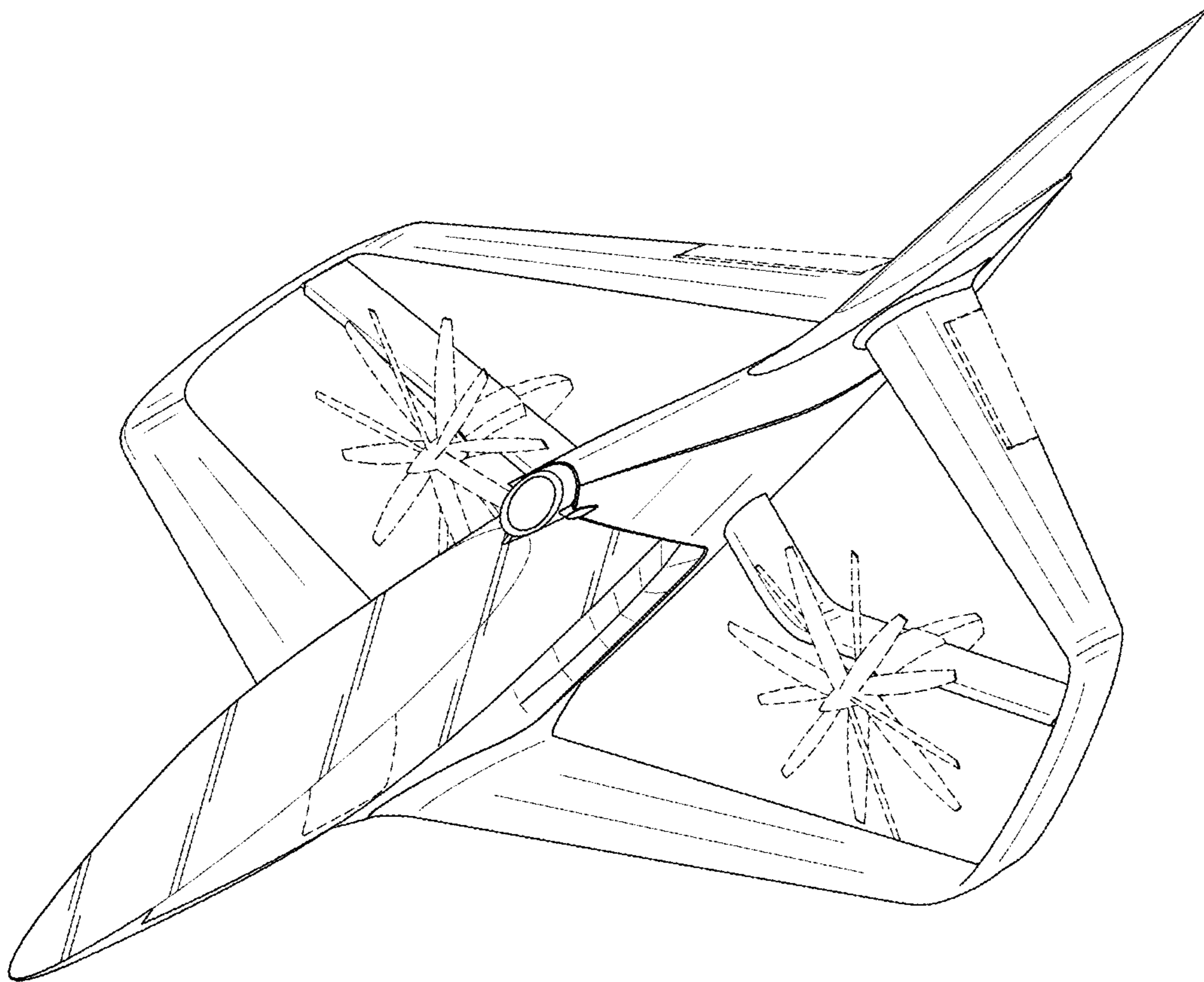


Fig. 1

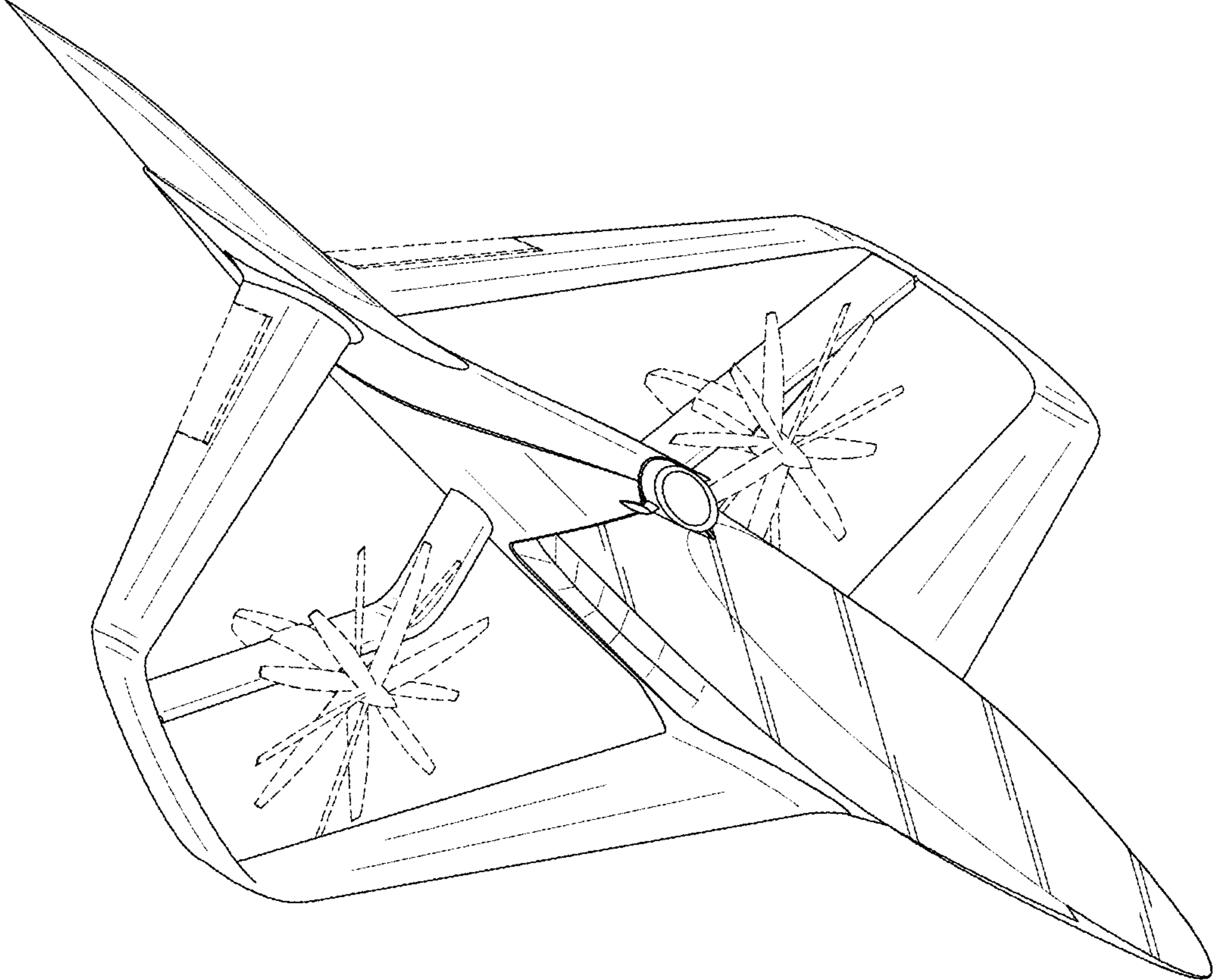


Fig. 2



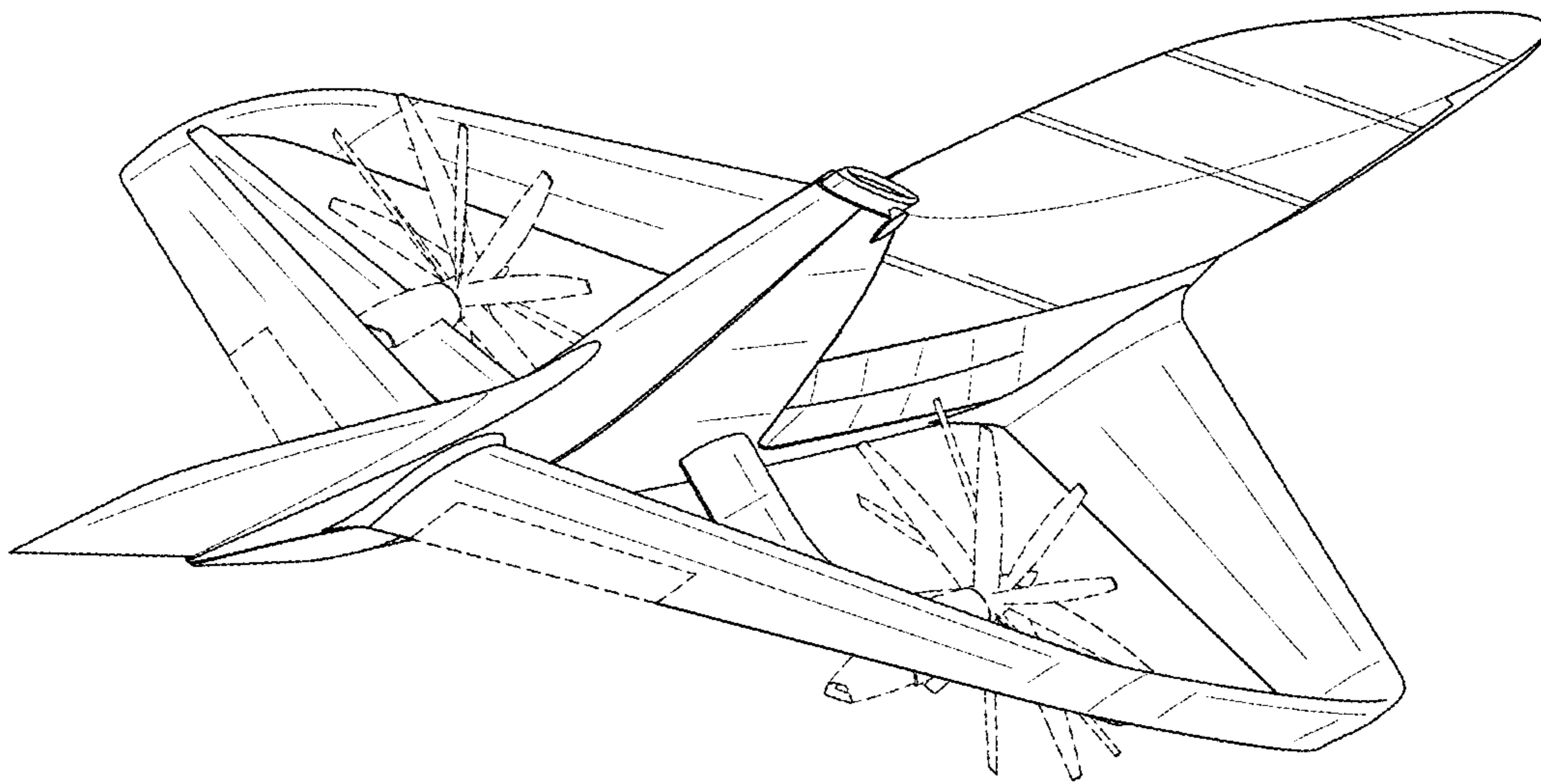


Fig. 3

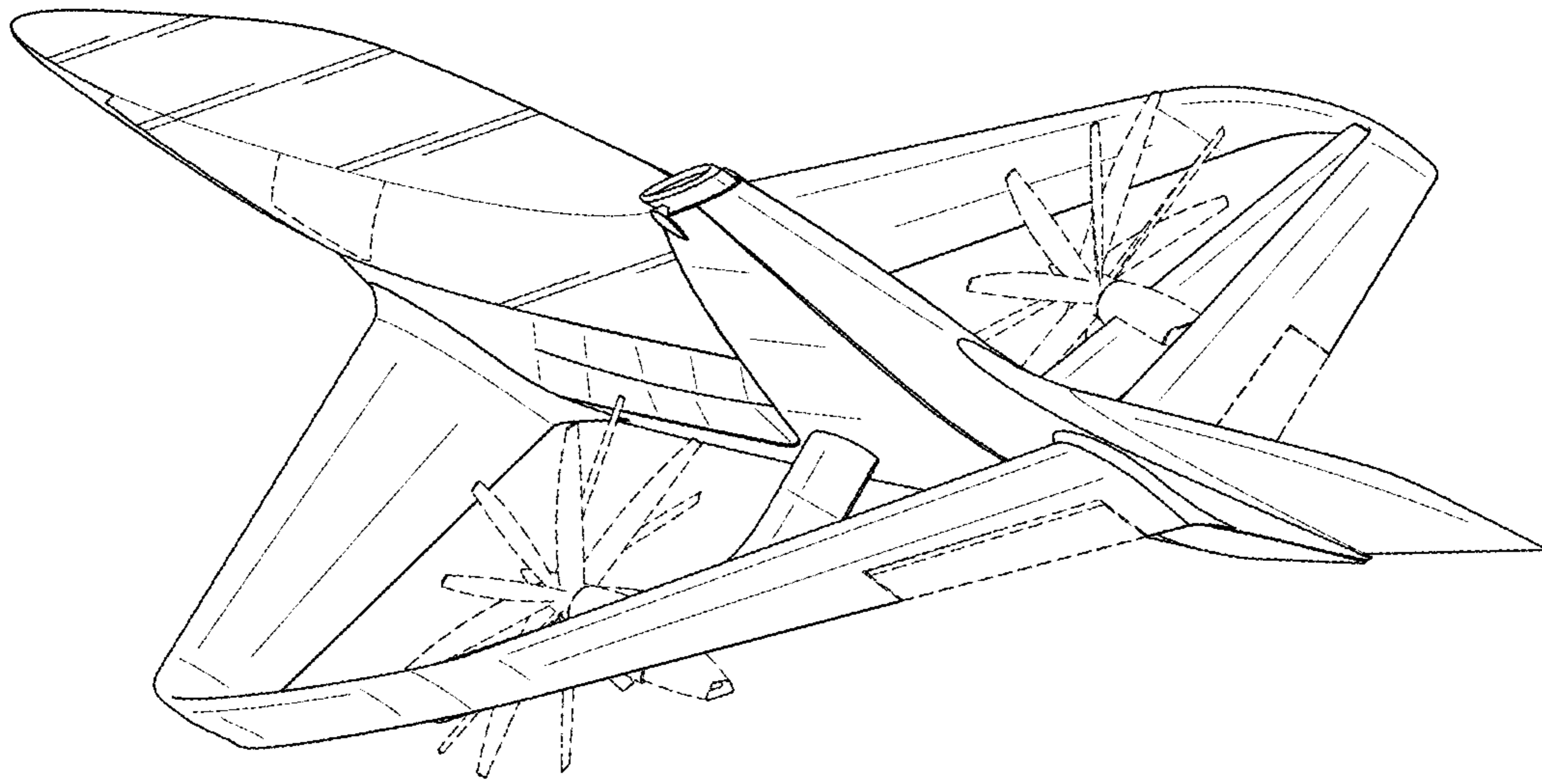


Fig. 4

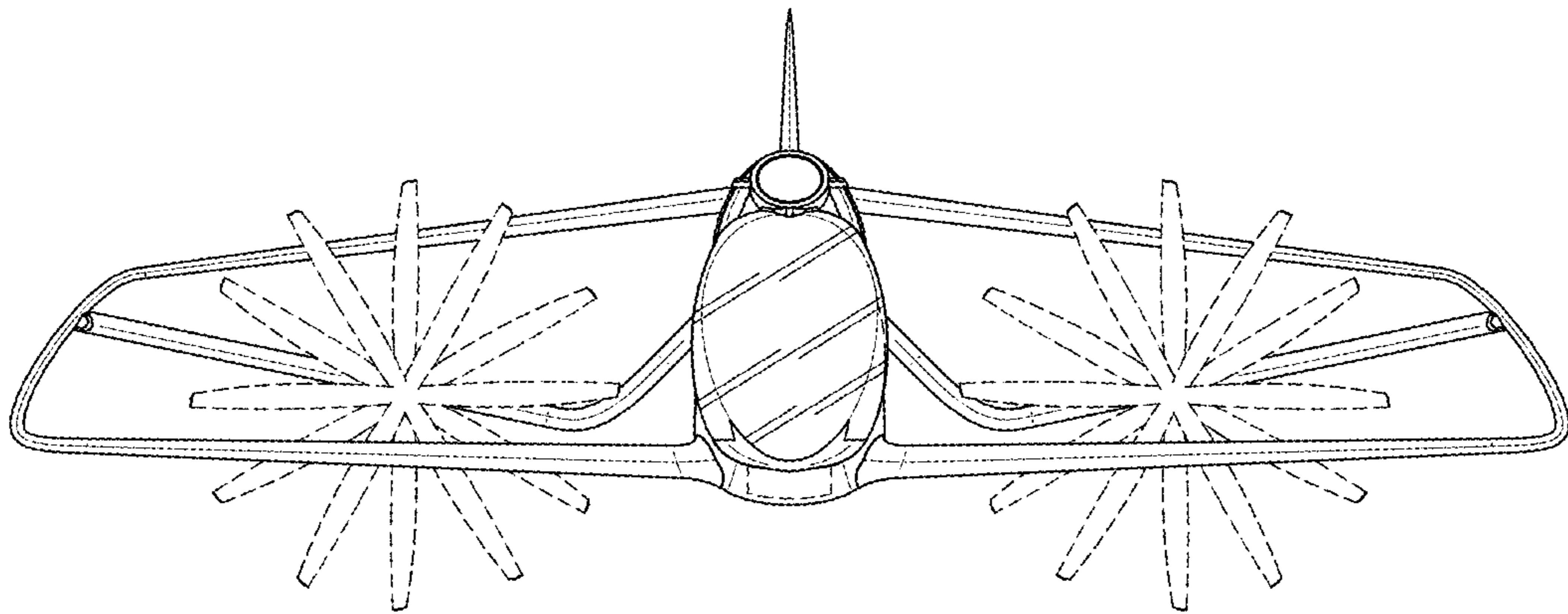


Fig. 5

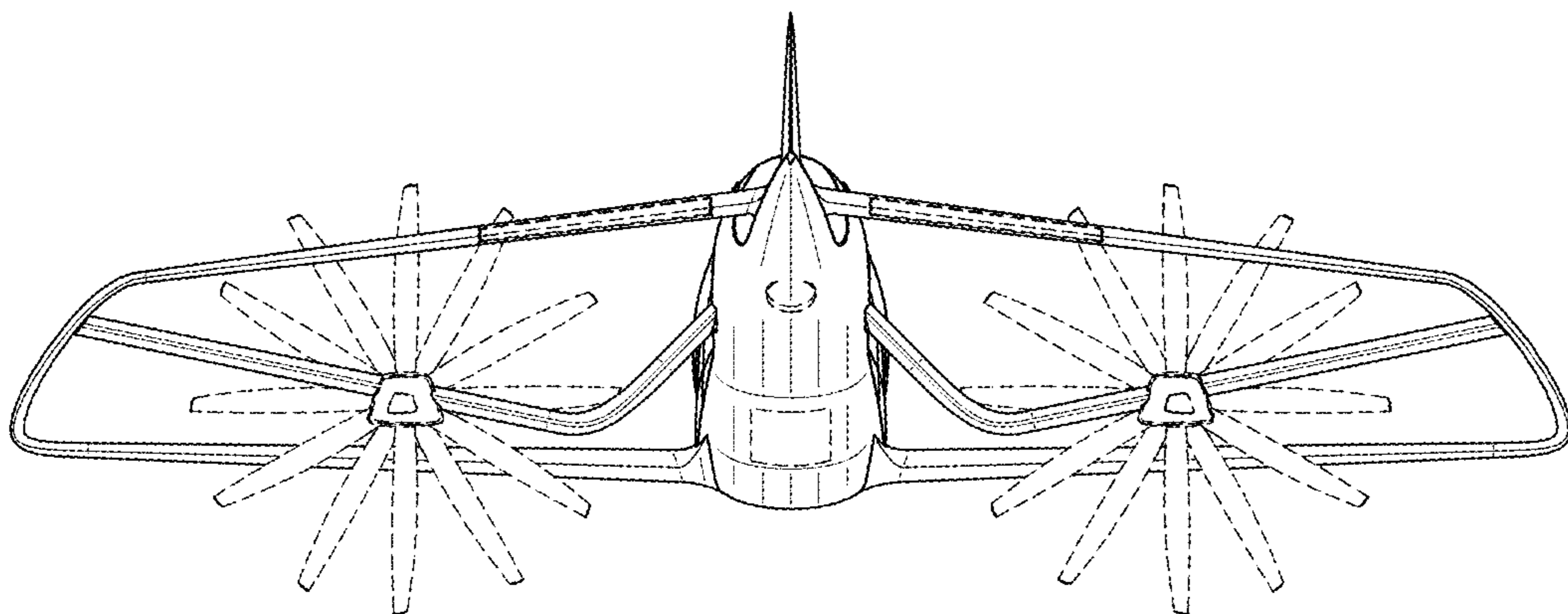


Fig. 6

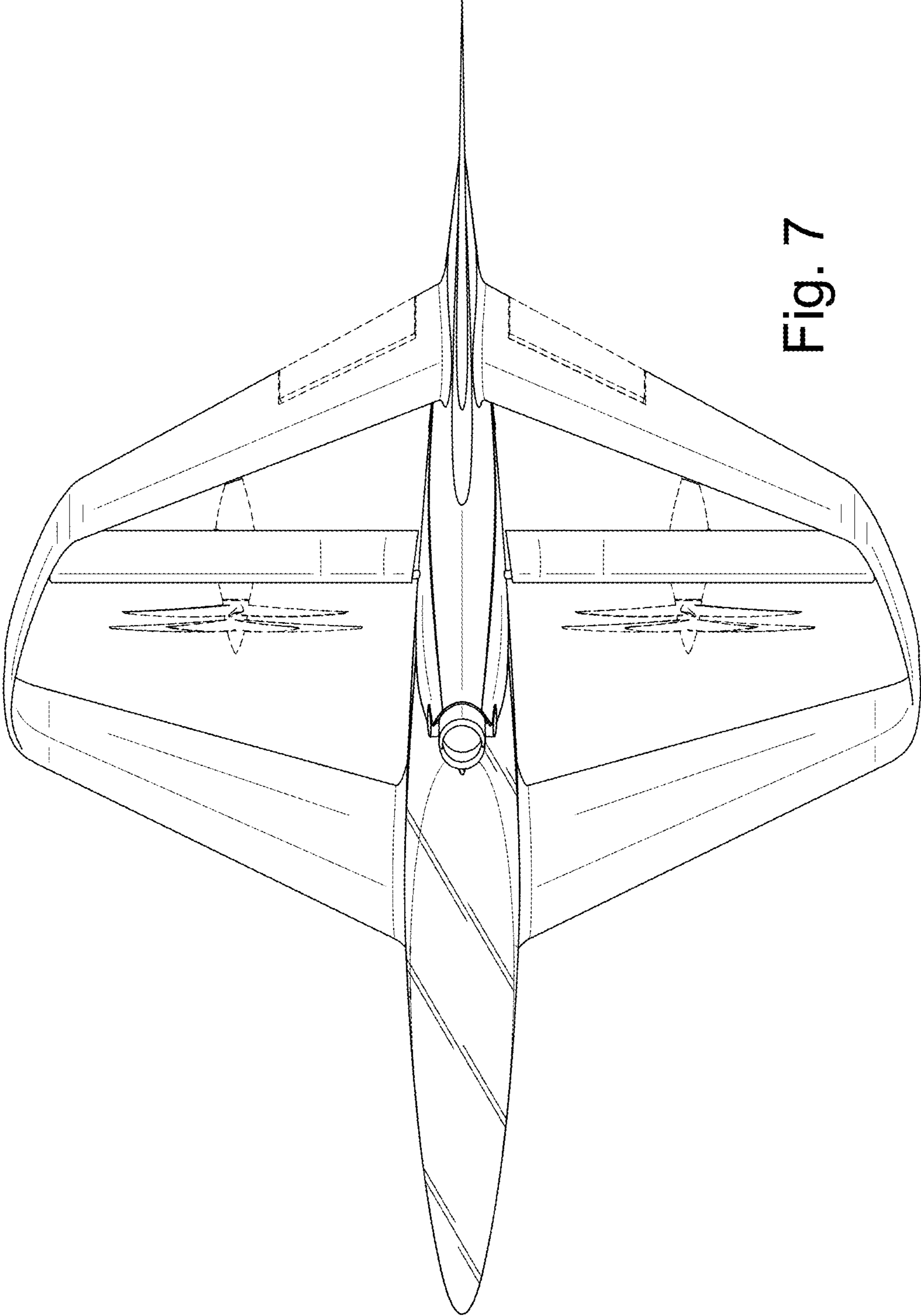


Fig. 7



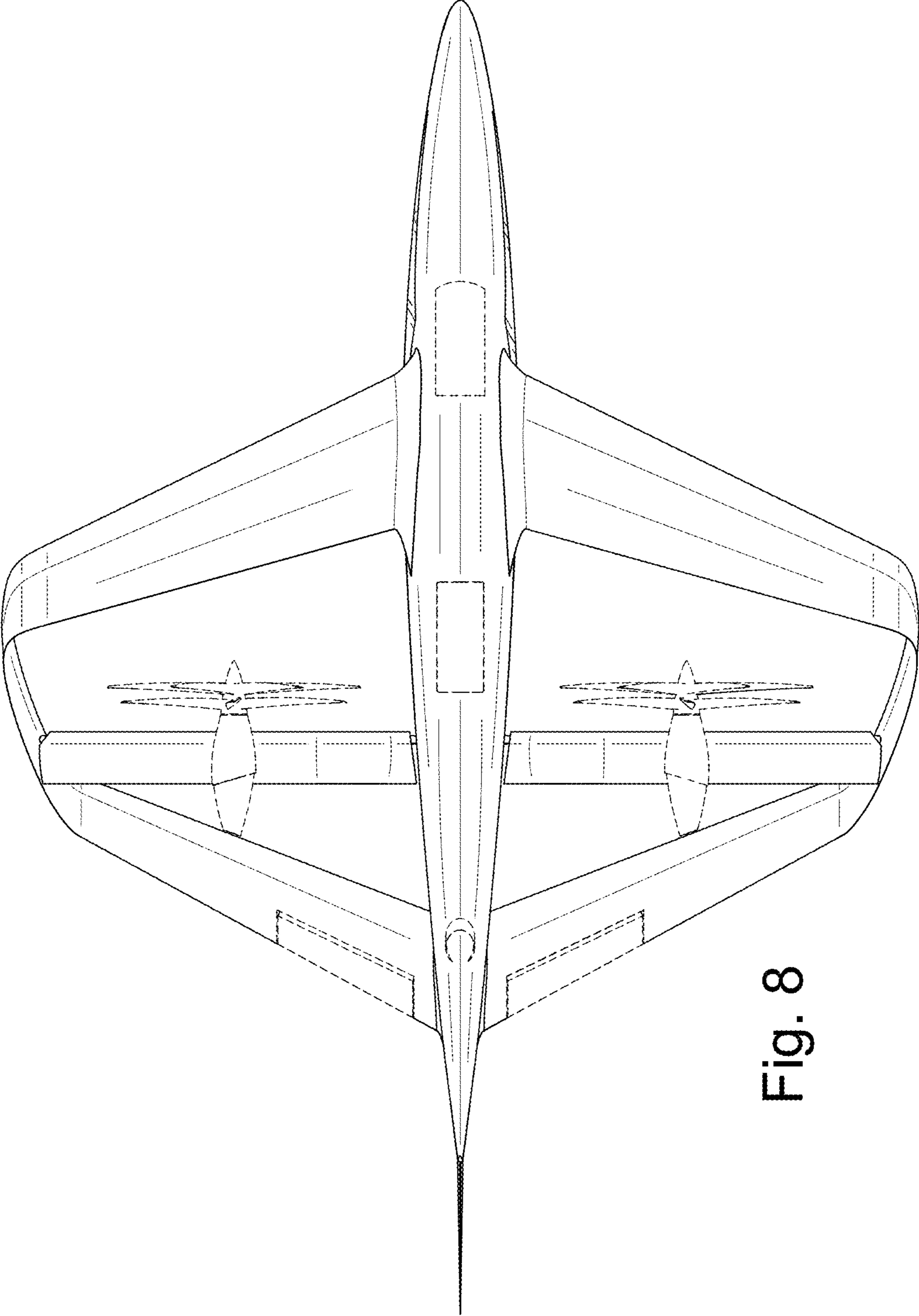


Fig. 8

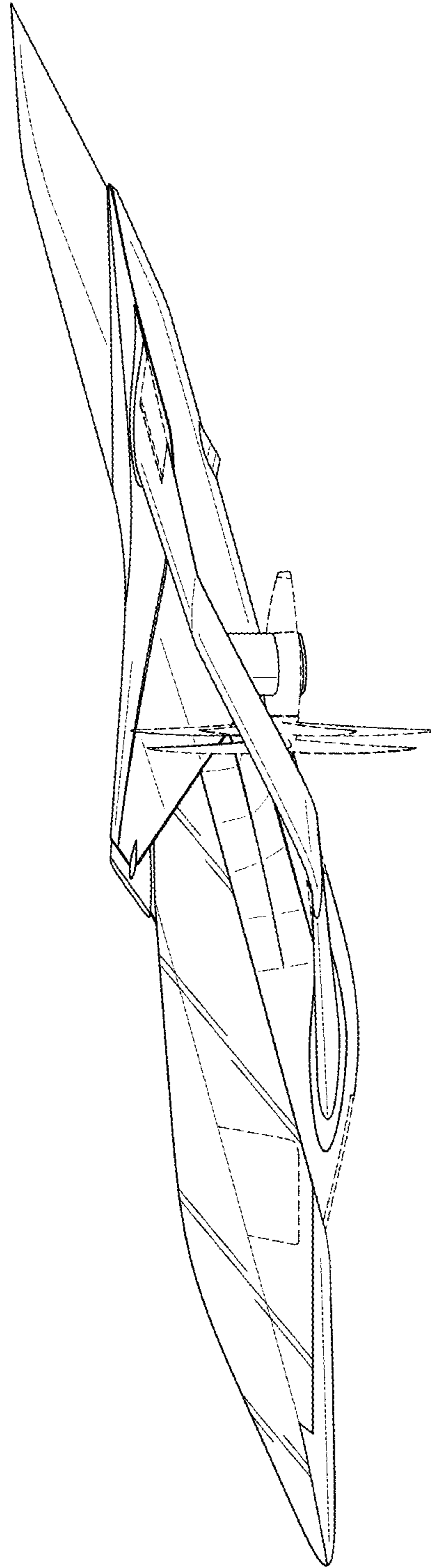


Fig. 9

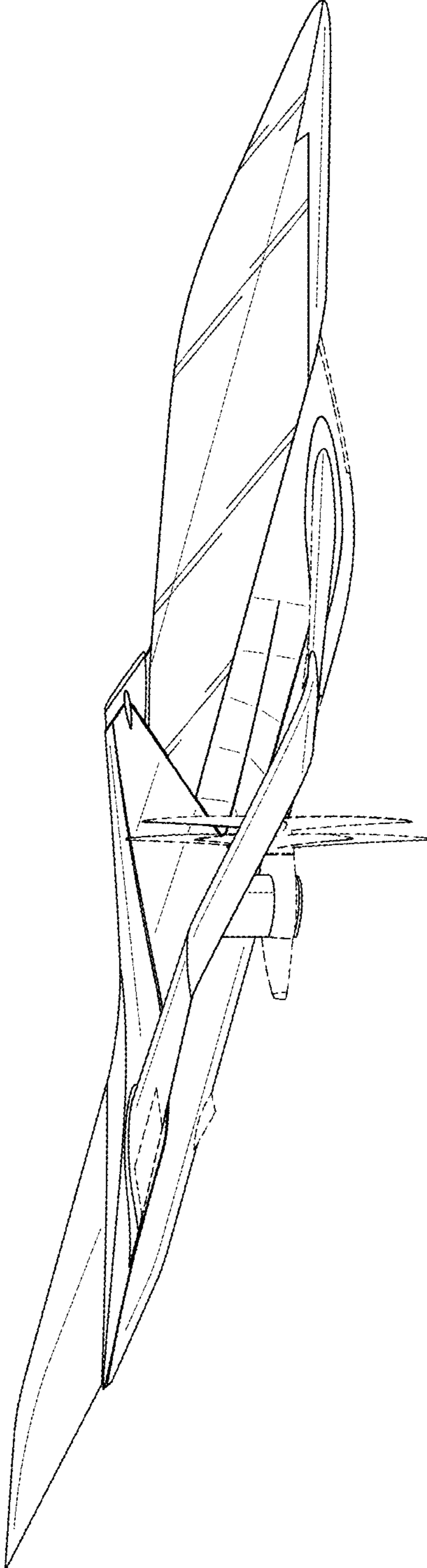


Fig. 10

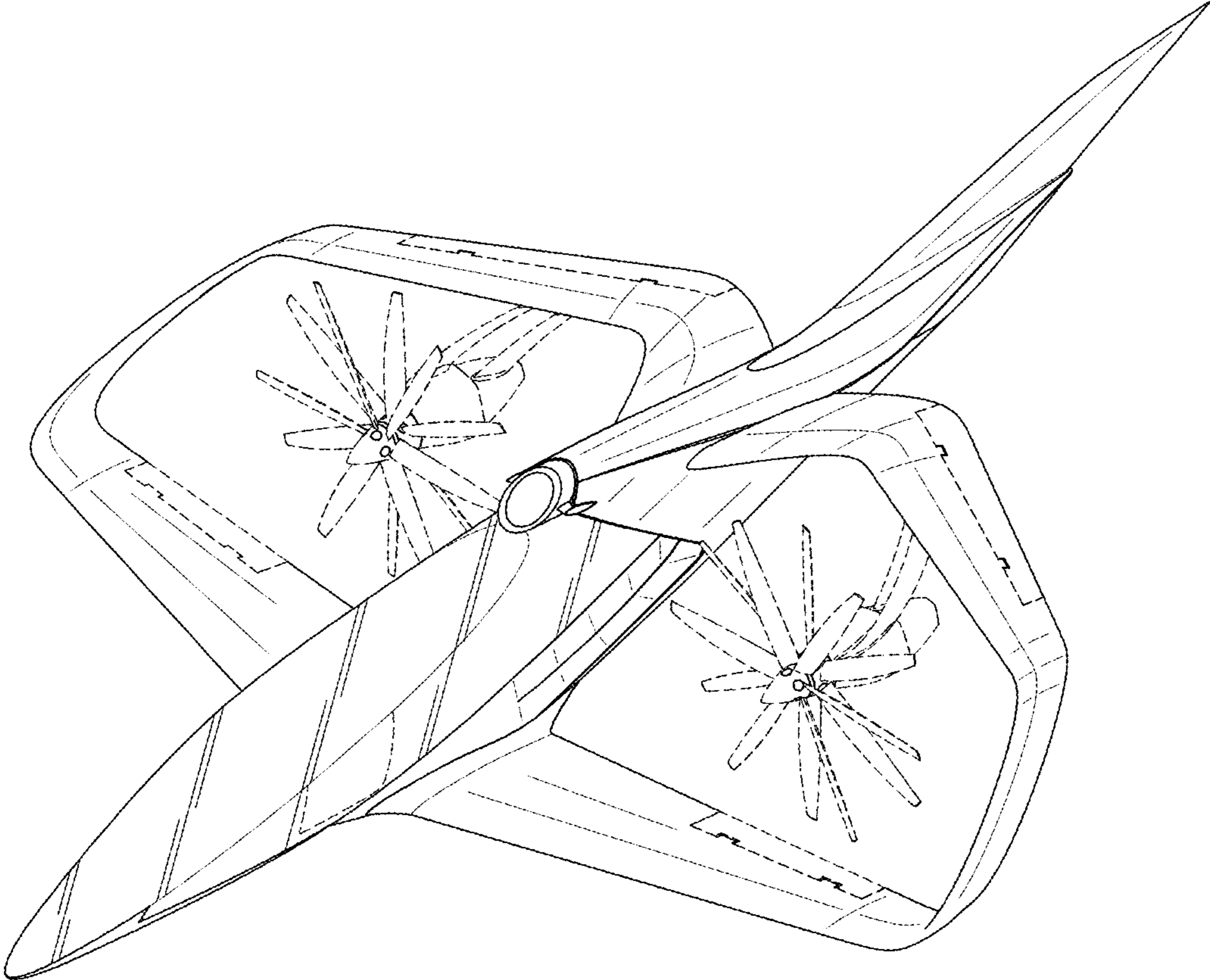


Fig. 11

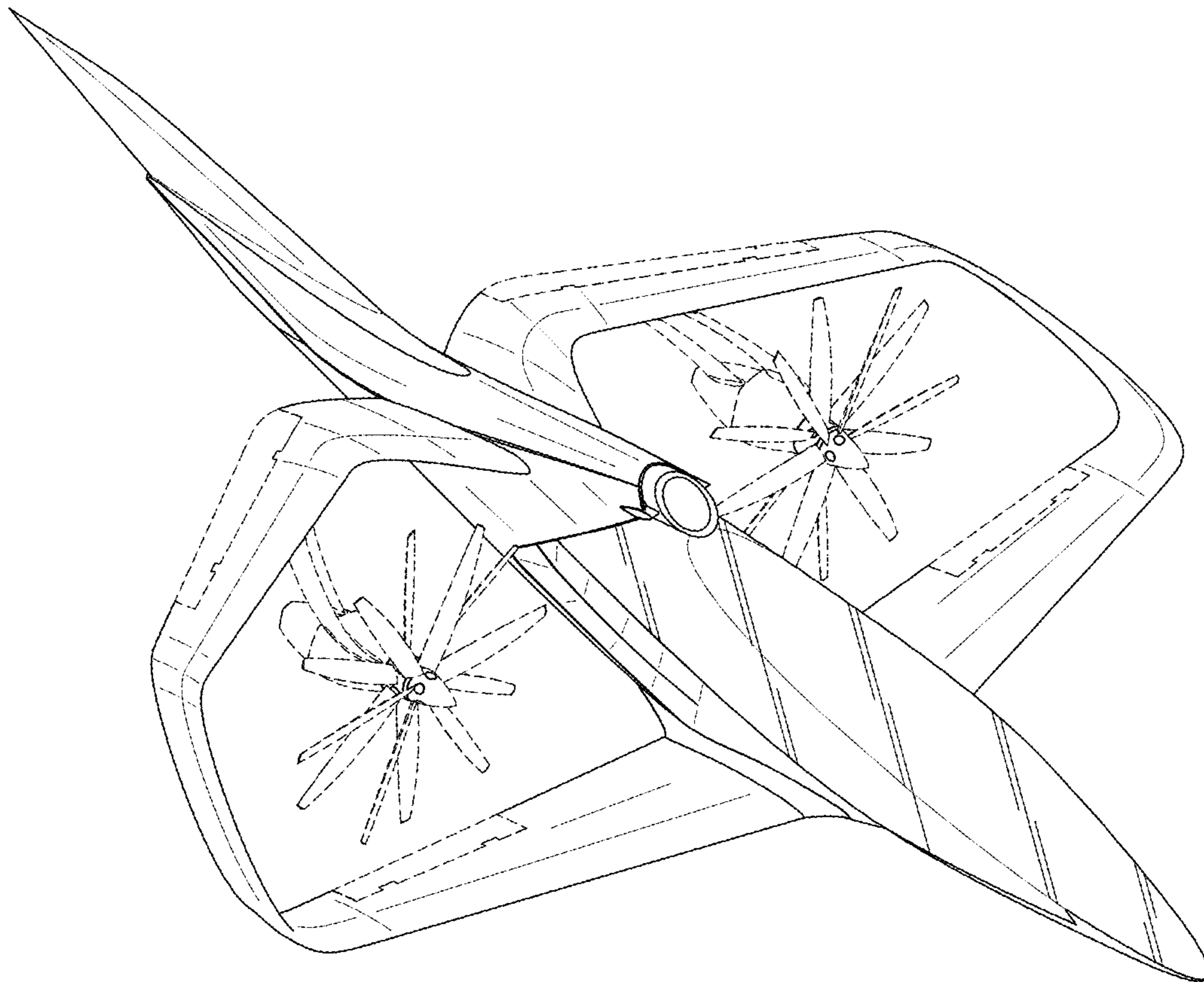


Fig. 12



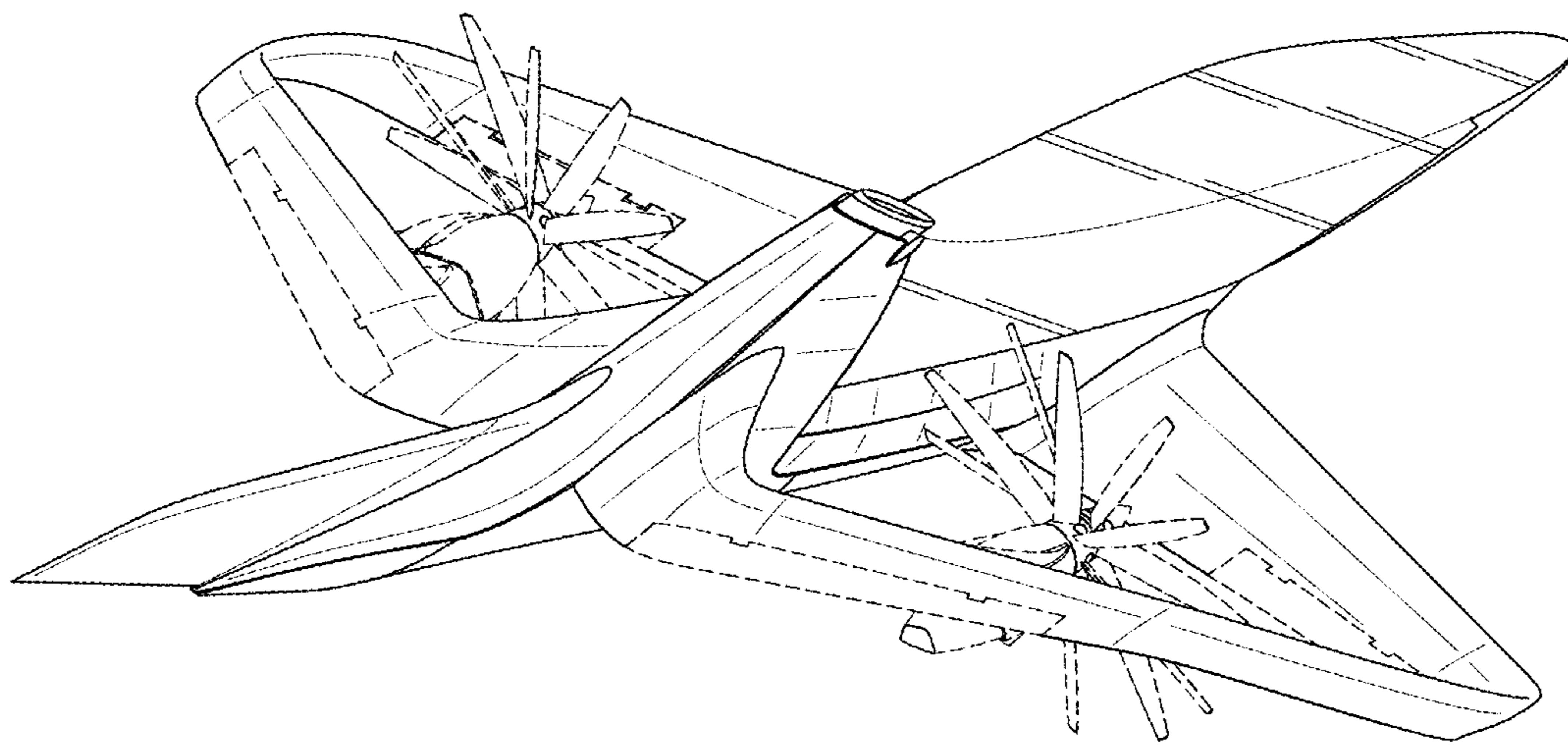


Fig. 13

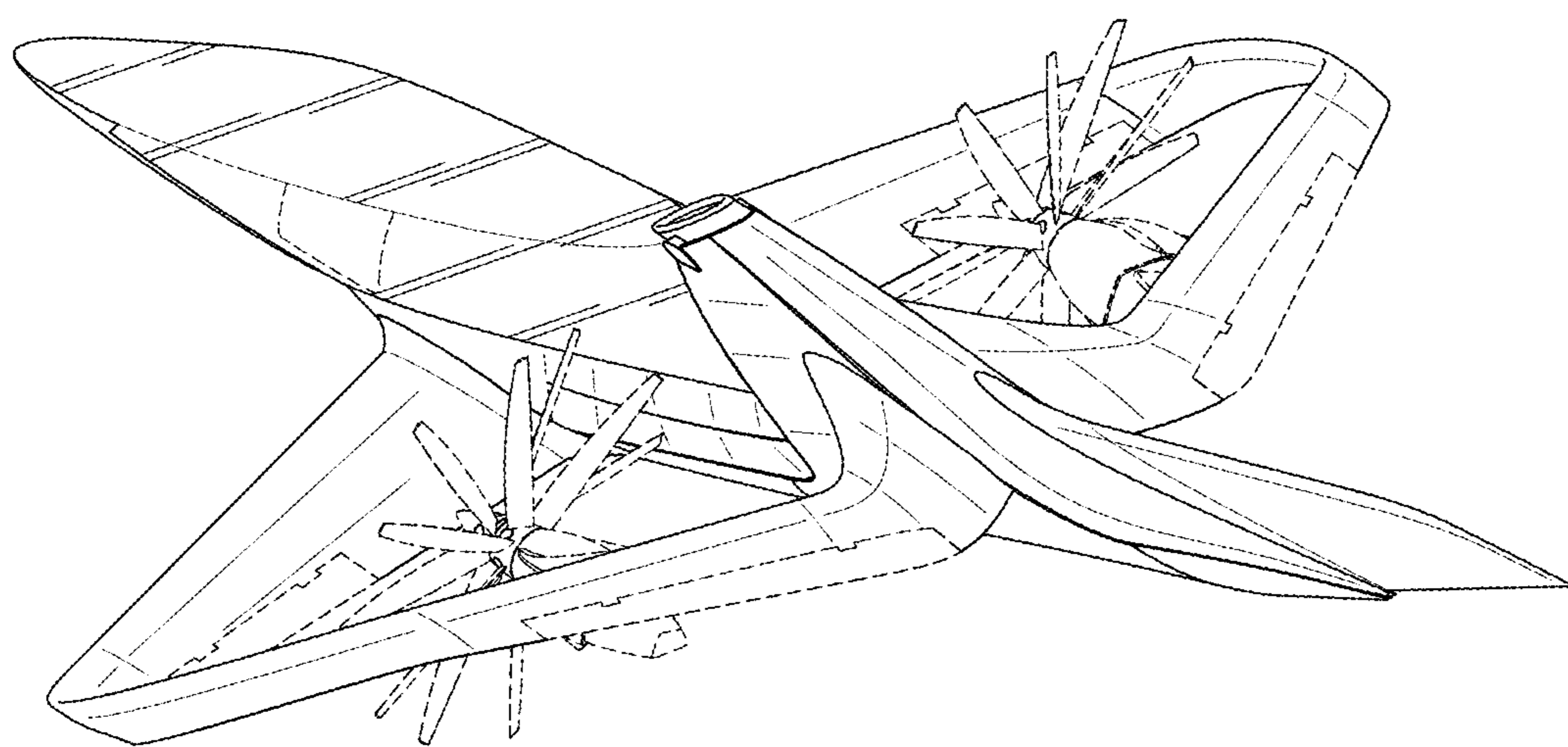


Fig. 14

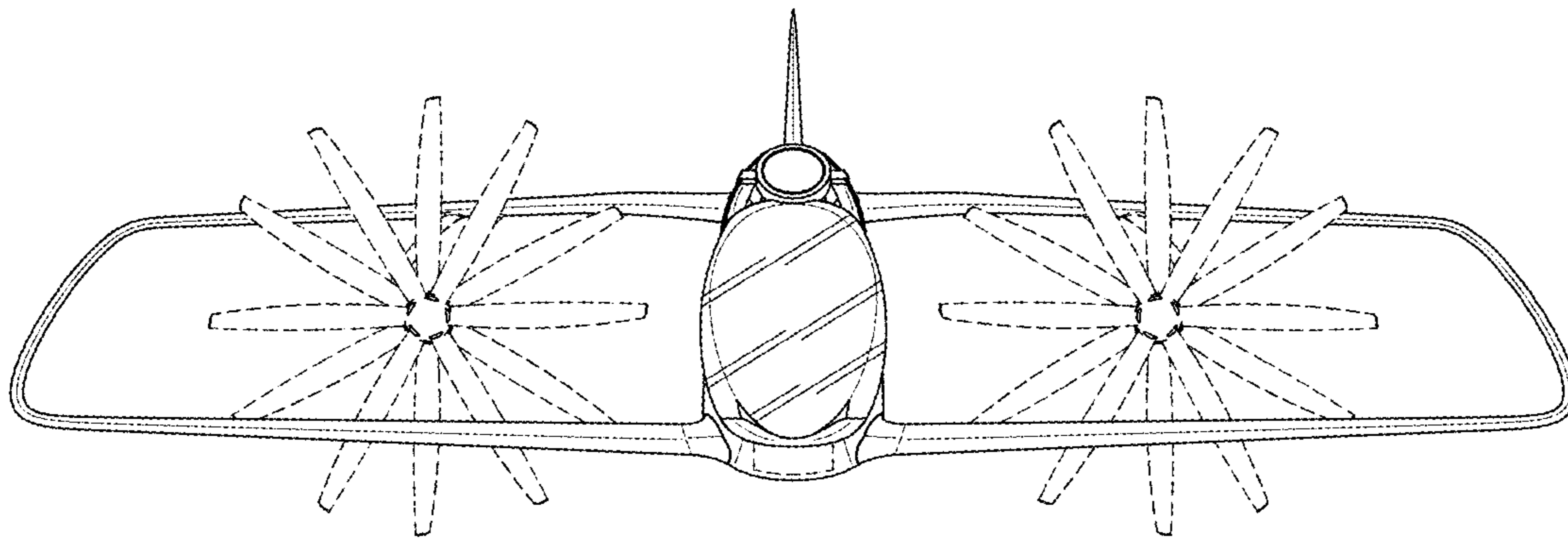


Fig. 15

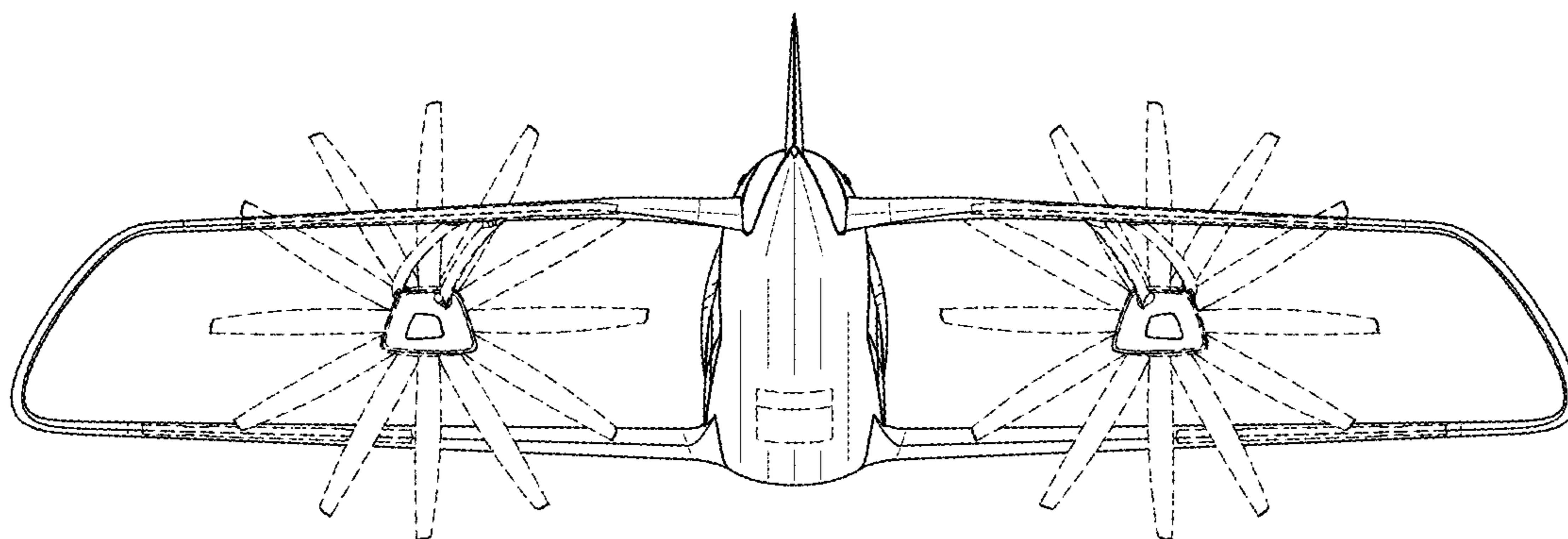


Fig. 16

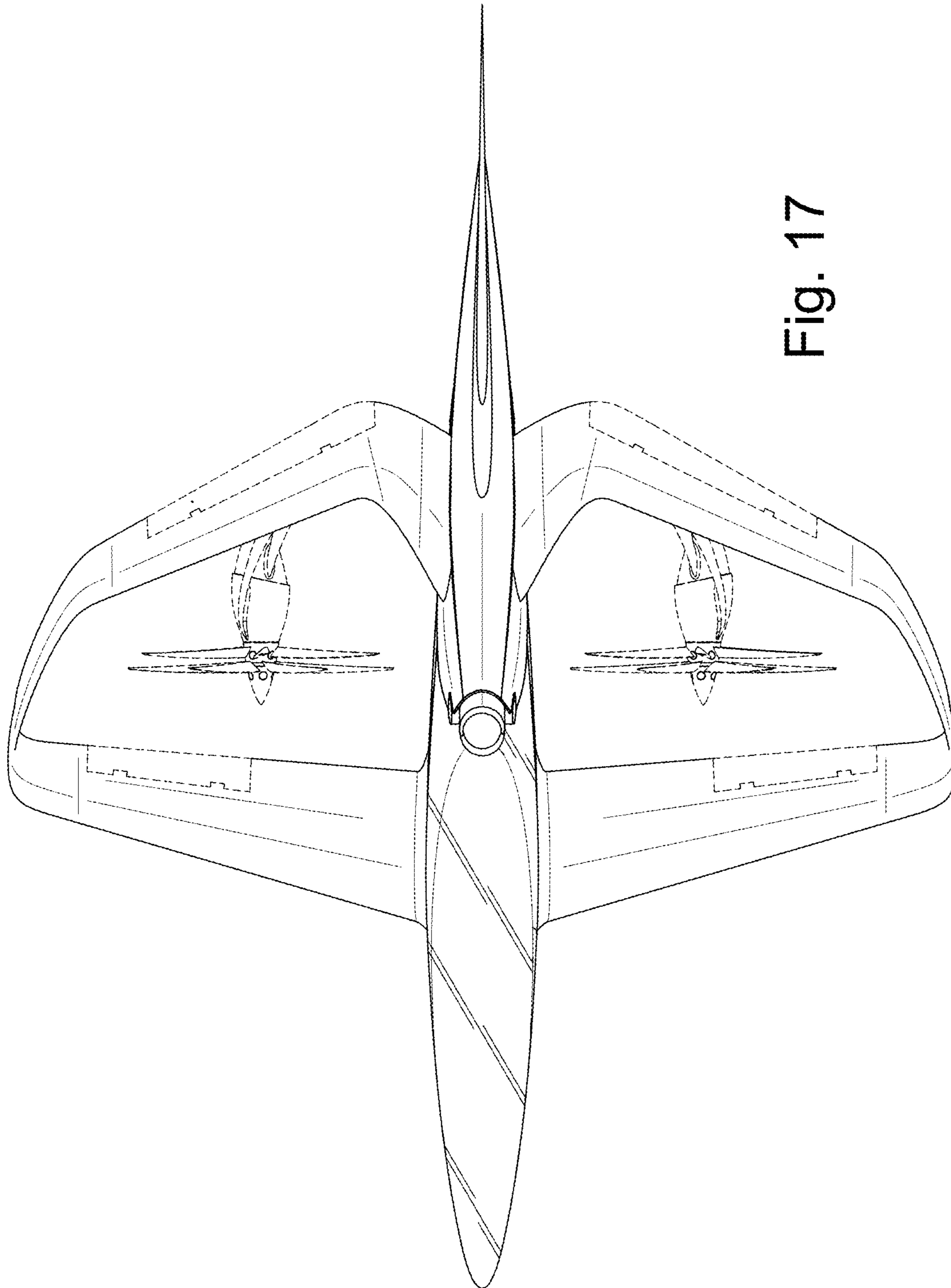


Fig. 17

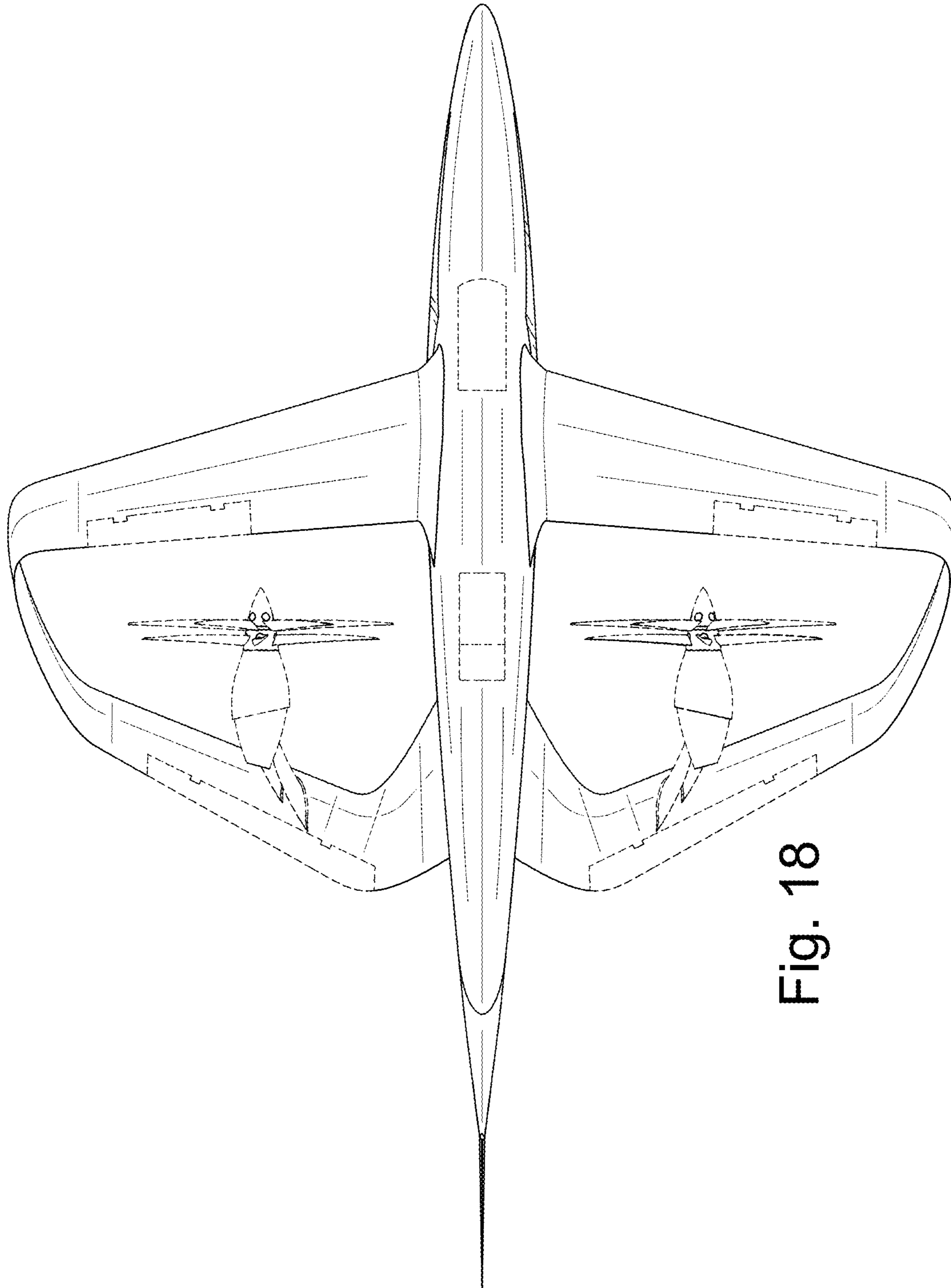


Fig. 18



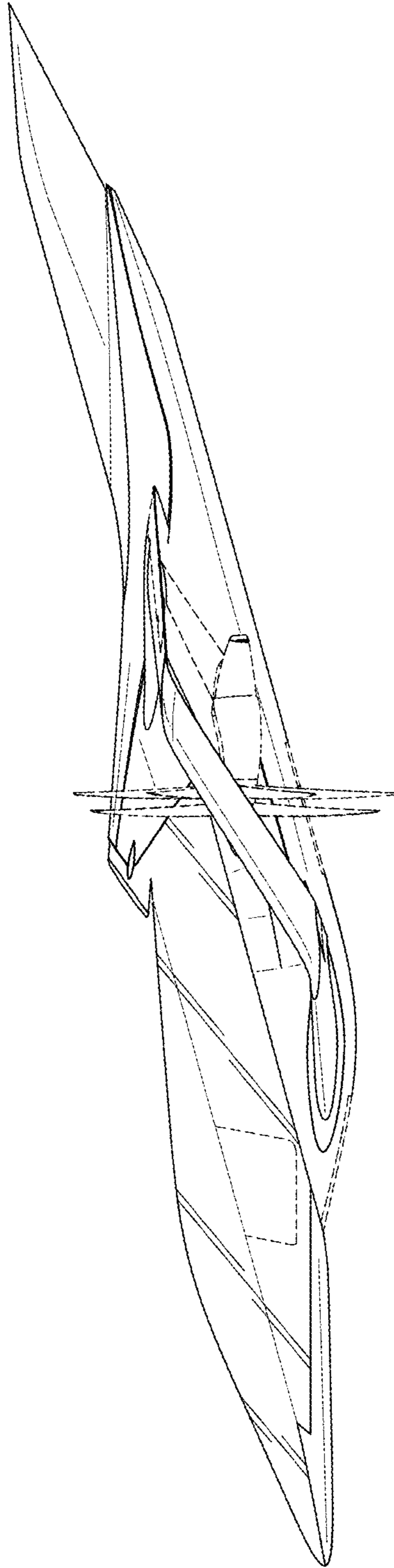


Fig. 19

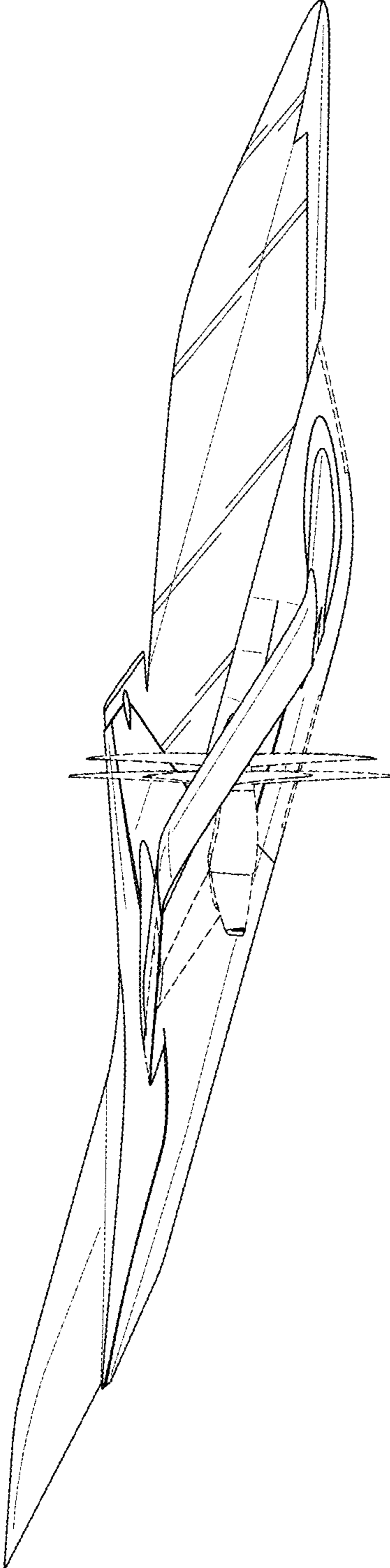


Fig. 20