



US00D920212S

(12) **United States Design Patent** (10) **Patent No.:** **US D920,212 S**
Steed et al. (45) **Date of Patent:** **** May 25, 2021**

(54) **PEDAL DRIVE**
(71) Applicant: **LIFETIME PRODUCTS, INC.**,
Clearfield, UT (US)
(72) Inventors: **Brent Steed**, Syracuse, UT (US); **Ed Vannimwegen**, North Ogden, UT (US);
Alex Good, Clearfield, UT (US); **Frank M. Clegg**, Fruit Heights, UT (US);
John Maas, Clearfield, UT (US)
(73) Assignee: **Lifetime Products, Inc.**, Clearfield, UT (US)
(**) Term: **15 Years**
(21) Appl. No.: **29/708,200**
(22) Filed: **Oct. 4, 2019**
(51) **LOC (13) Cl.** **12-06**
(52) **U.S. Cl.**
USPC **D12/317**
(58) **Field of Classification Search**
USPC D12/214, 223, 300, 302, 303, 304, 306,
D12/307, 310, 311, 312, 313, 314, 315,
D12/316, 317, 400; D21/542, 760, 769,
D21/801, 802, 803; D15/4; D8/349, 354
CPC B63H 16/00; B63H 16/12; B63H 16/14;
B63H 20/00; B63H 20/007; B63H 20/02;
B63H 21/21; B63H 21/265; B63H
2016/202; B63H 25/02
See application file for complete search history.

(56) **References Cited**
U.S. PATENT DOCUMENTS
8,753,156 B2 * 6/2014 Ketterman B63H 25/42
440/26
10,220,924 B1 * 3/2019 Horvath B63H 16/20

2003/0013355 A1 * 1/2003 Free B63H 16/14
440/30
2008/0188146 A1 * 8/2008 Howard B63H 16/20
440/30
2008/0233813 A1 * 9/2008 Ho B63H 16/14
440/29
2009/0042461 A1 * 2/2009 Walton B63B 34/20
440/6
2019/0263494 A1 * 8/2019 Pelland B63H 16/20

FOREIGN PATENT DOCUMENTS

CA 2971957 A1 * 12/2017 B63H 16/20
WO WO-2019021062 A2 * 1/2019 B63B 34/20

* cited by examiner

Primary Examiner — Karen E Kearney
Assistant Examiner — Adam C Mager
(74) *Attorney, Agent, or Firm* — Maschoff Brennan

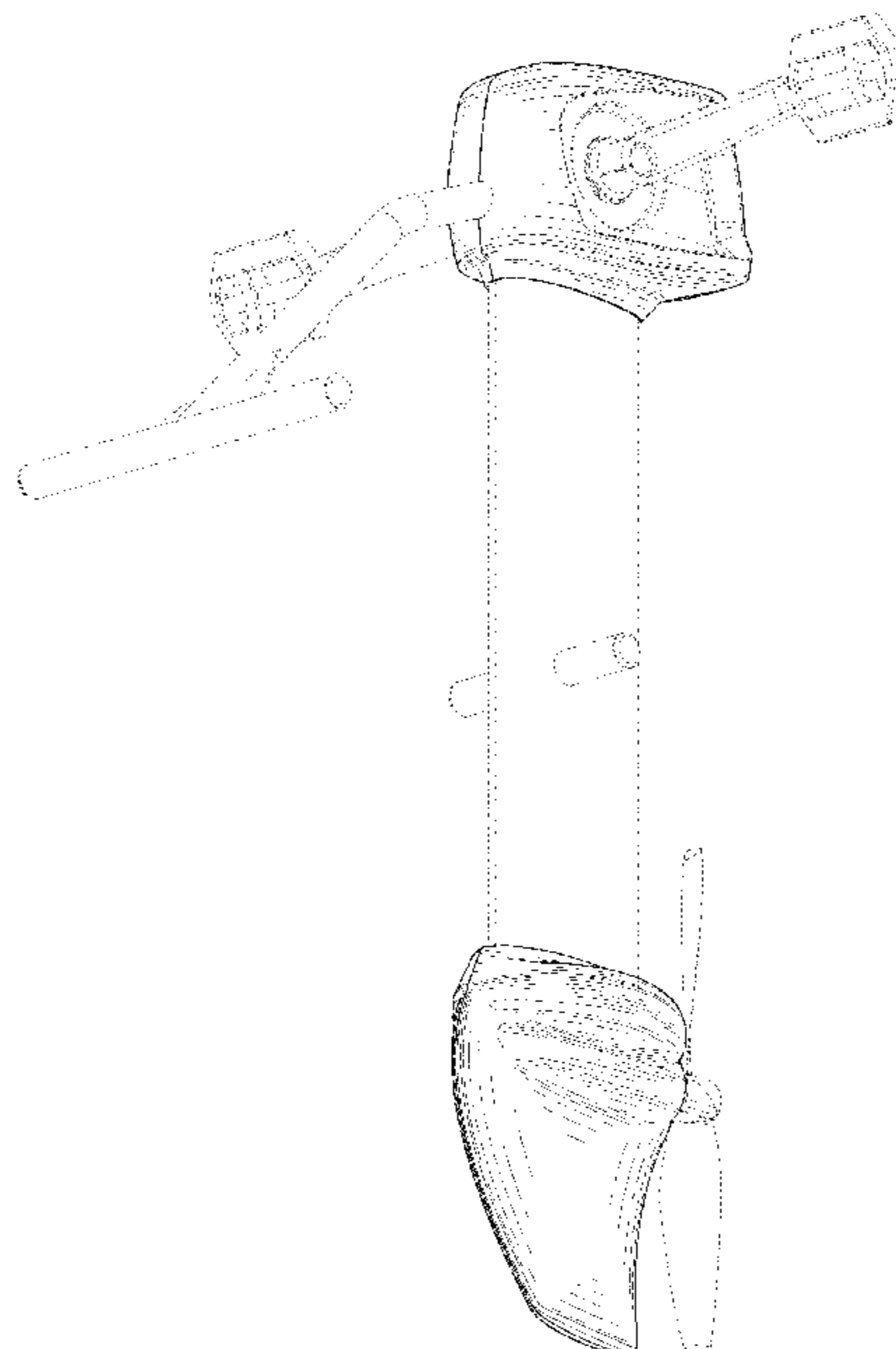
(57) **CLAIM**

The ornamental design for a pedal drive, as shown and described.

DESCRIPTION

FIG. 1 is an upper perspective view of a pedal drive;
FIG. 2 is a lower perspective view thereof;
FIG. 3 is a rear view thereof;
FIG. 4 is a front view thereof;
FIG. 5 is a left side view thereof;
FIG. 6 is a right side view thereof;
FIG. 7 is a bottom view thereof; and,
FIG. 8 is a top view thereof.
All broken line portions of the figures form no part of the claimed design.

1 Claim, 8 Drawing Sheets



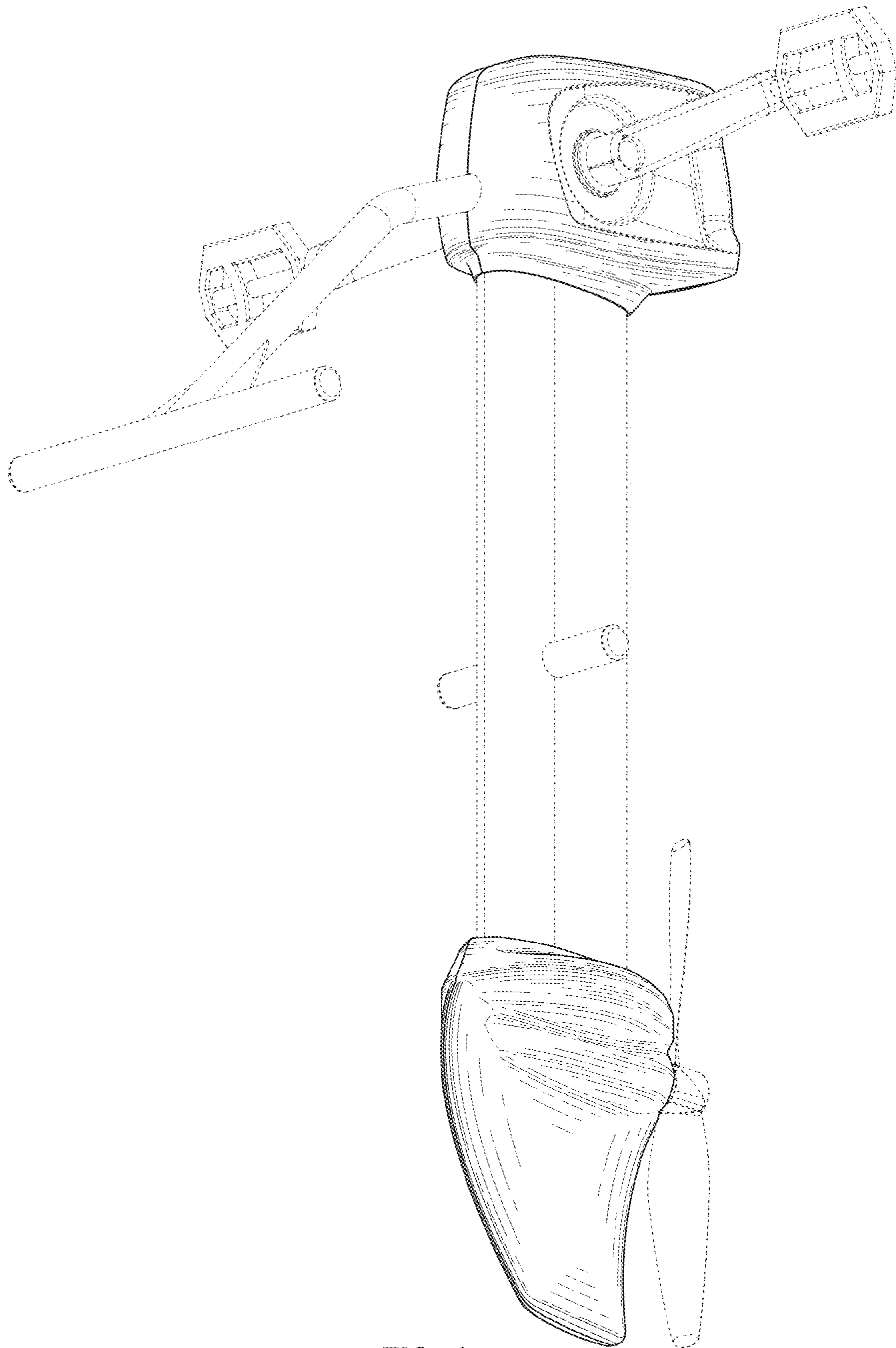


FIG. 1

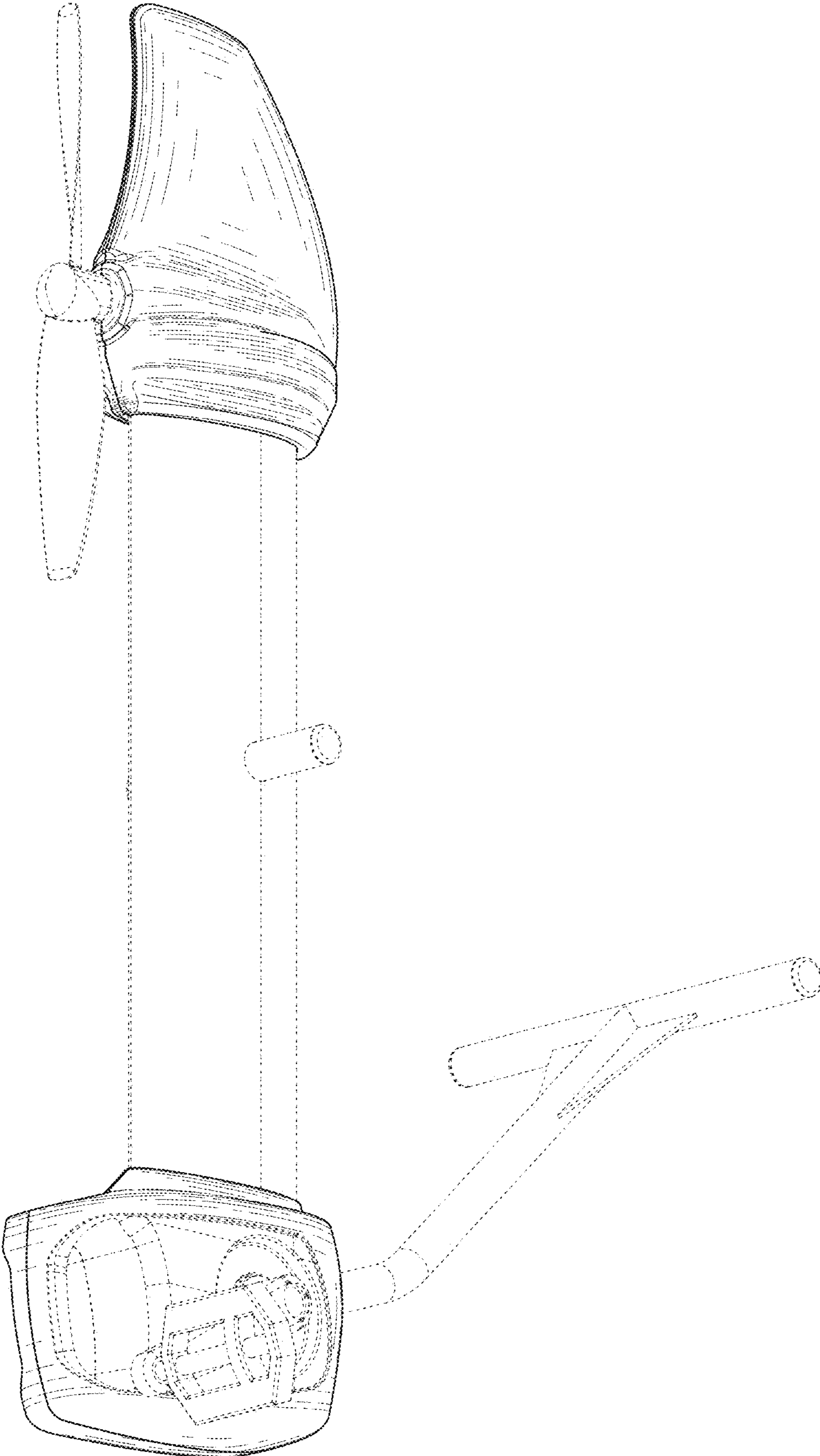


FIG. 2

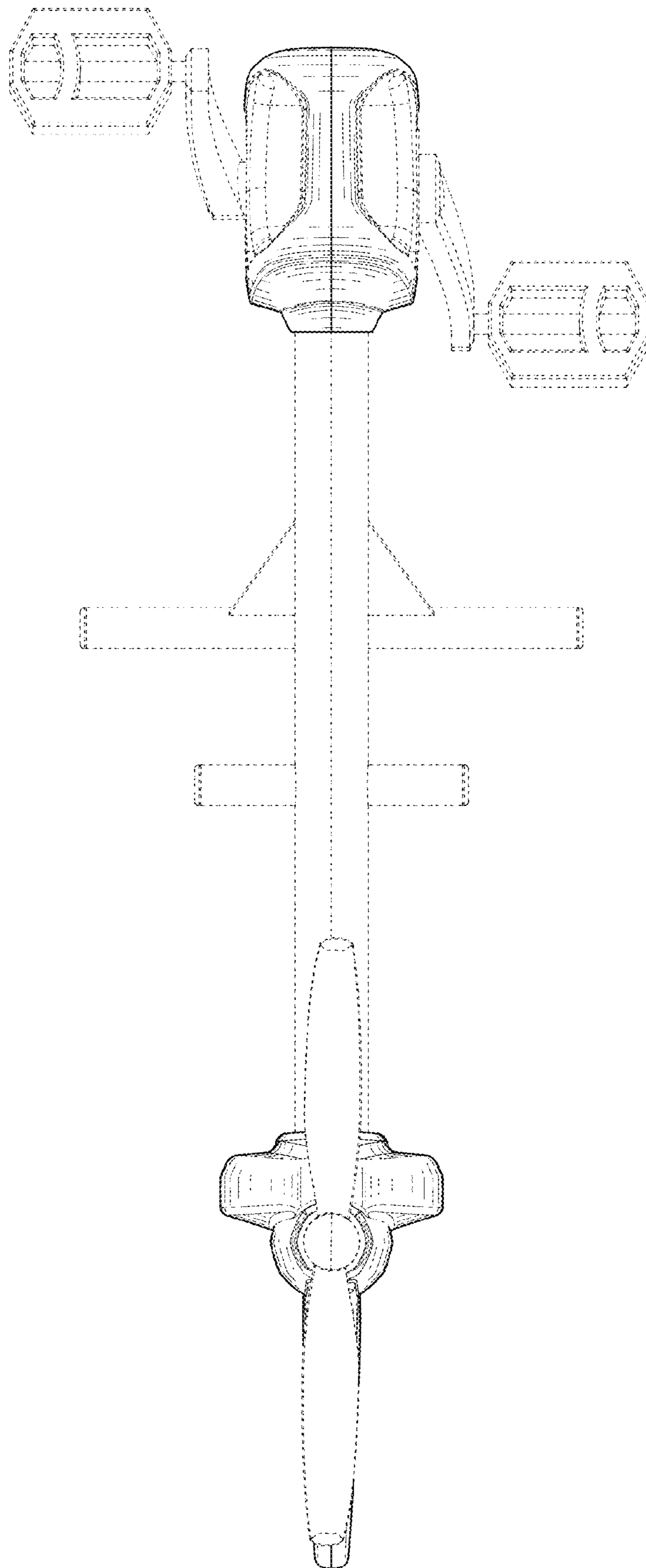


FIG. 3

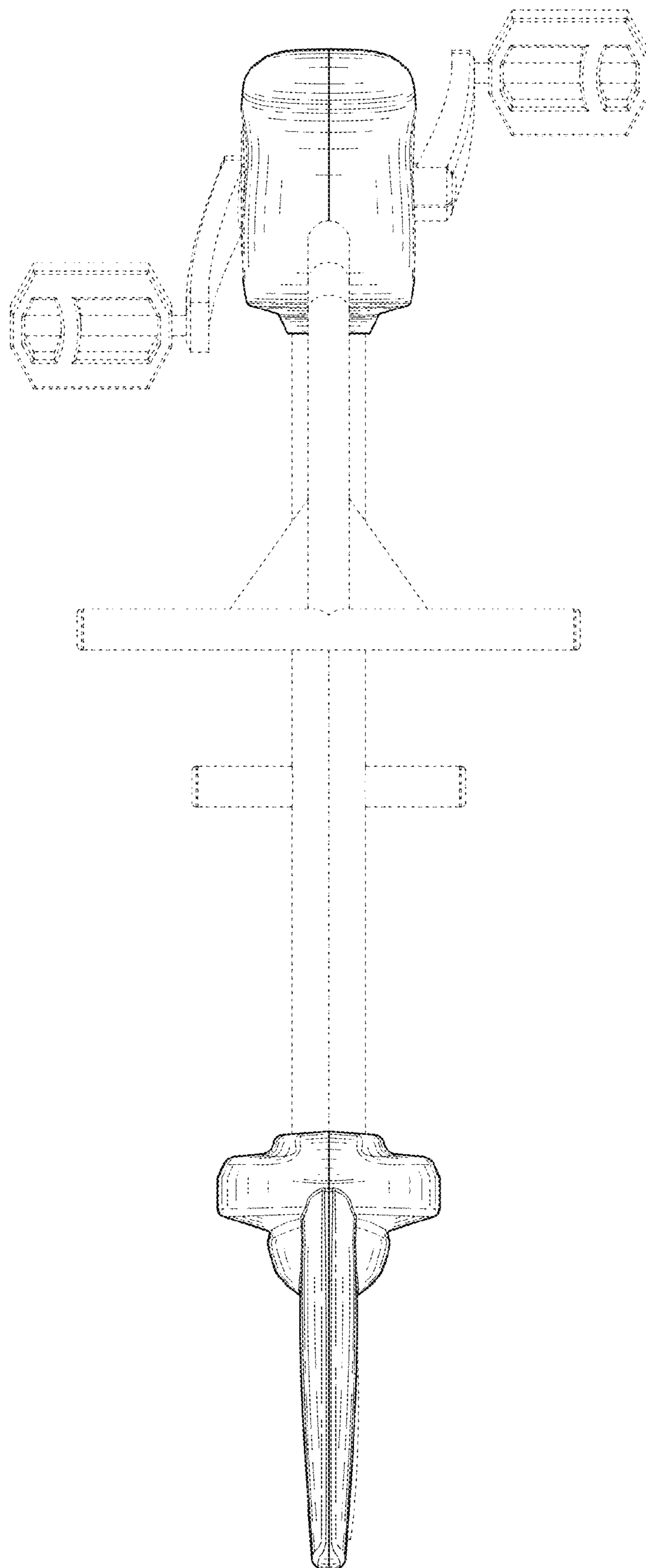


FIG. 4

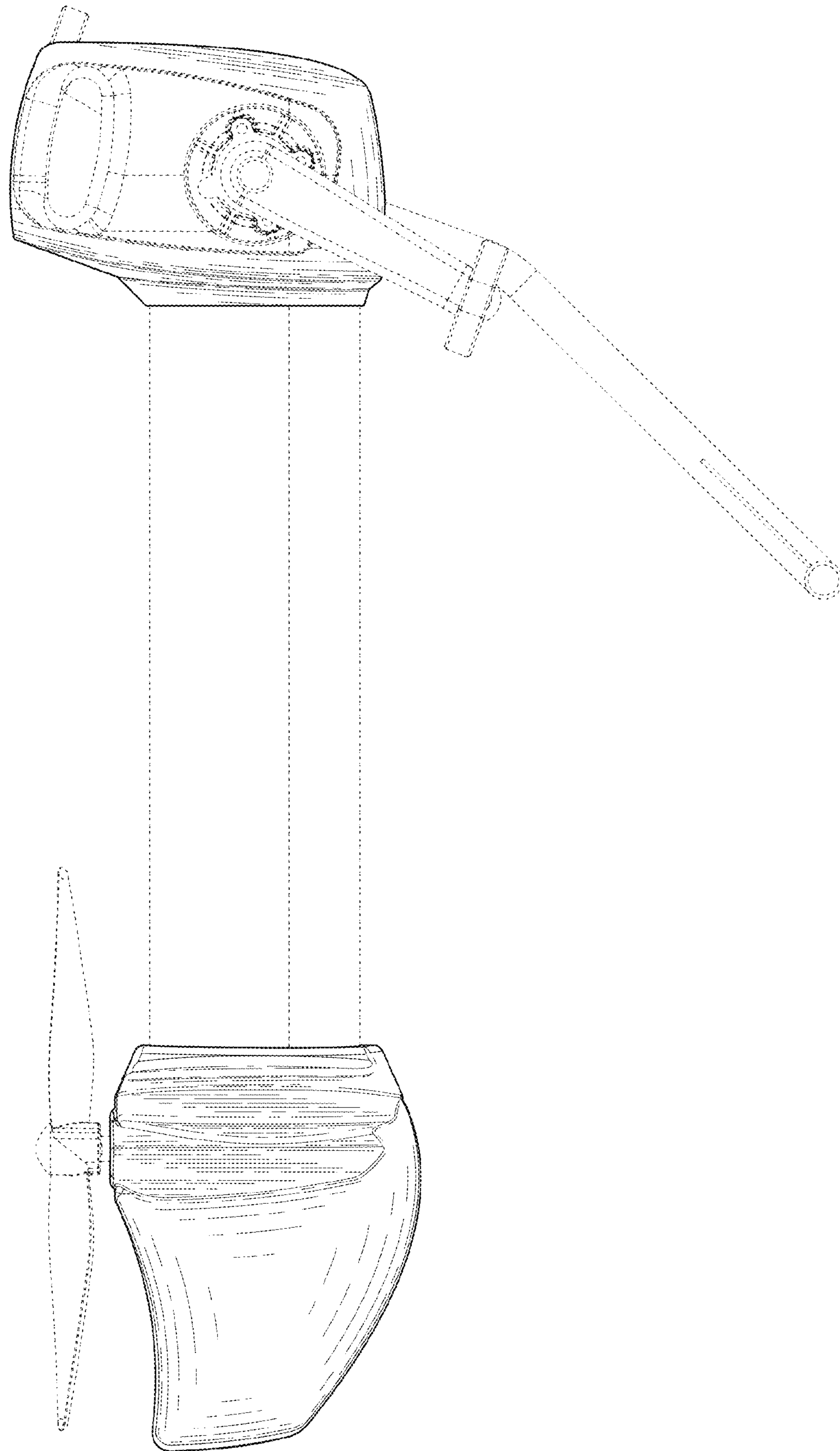


FIG. 5

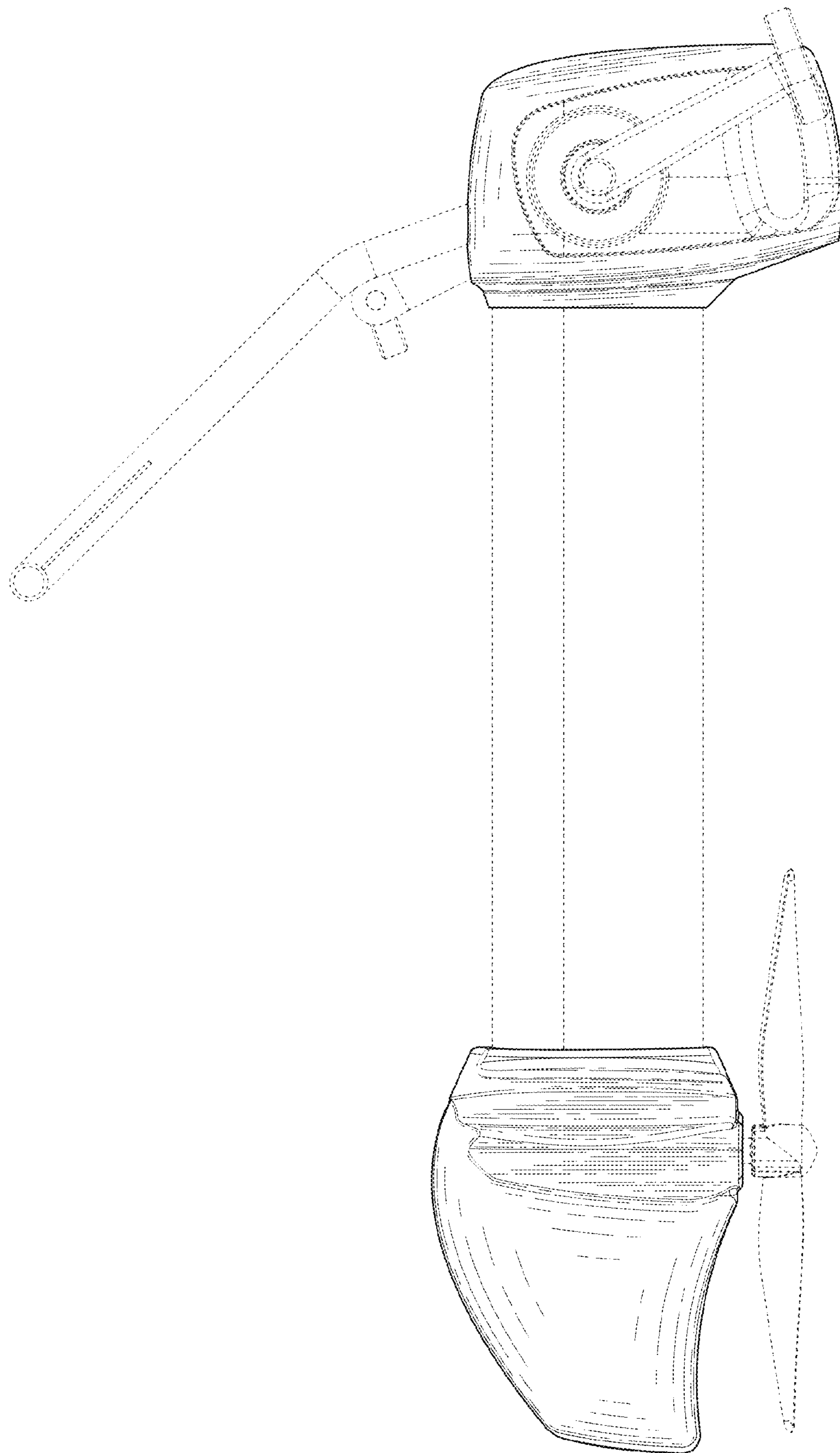


FIG. 6

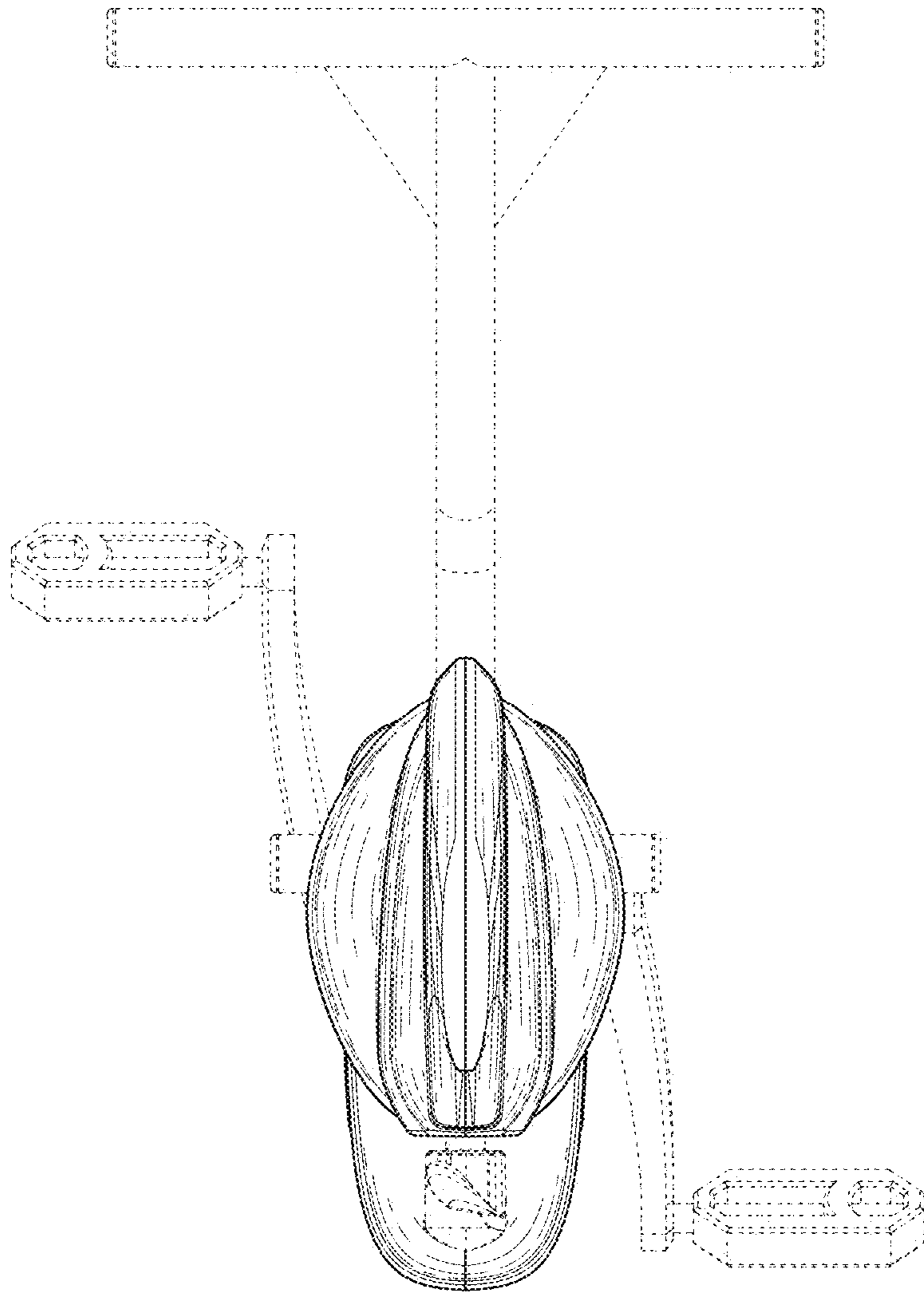


FIG. 7

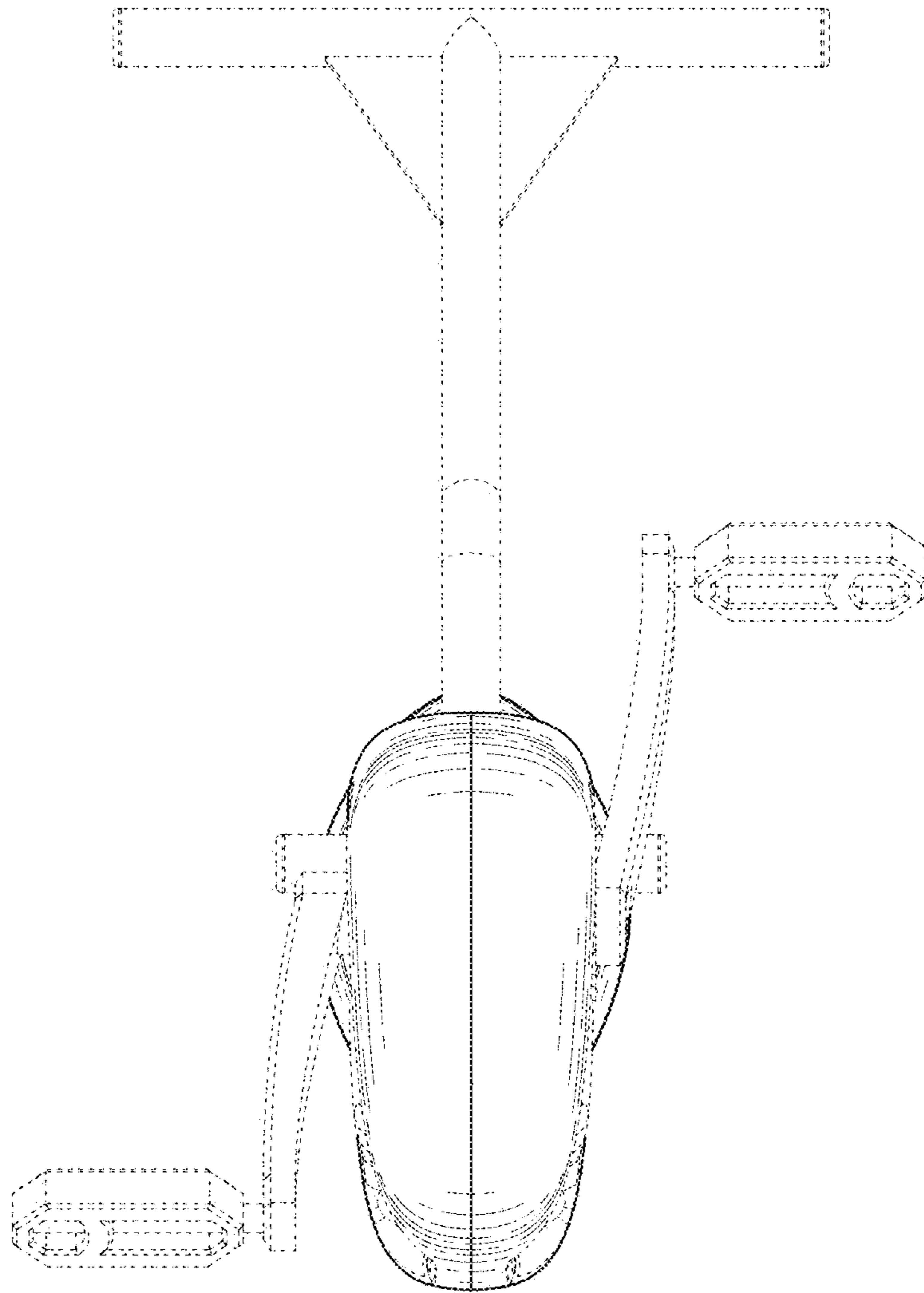


FIG. 8