



US00D920205S

(12) **United States Design Patent**
Johnson

(10) **Patent No.:** **US D920,205 S**

(45) **Date of Patent:** **** May 25, 2021**

(54) **FRONT FACE OF A VEHICLE WHEEL**

(71) Applicant: **DIABLO RACING INC.**, Irwindale,
CA (US)

(72) Inventor: **Kelly R. Johnson**, Placentia, CA (US)

(73) Assignee: **DIABLO RACING INC.**, Pasadena,
CA (US)

(**) Term: **15 Years**

(21) Appl. No.: **29/731,642**

(22) Filed: **Apr. 16, 2020**

(51) **LOC (13) Cl.** **12-16**

(52) **U.S. Cl.**
USPC **D12/209**

(58) **Field of Classification Search**
USPC D12/204–213; D21/563
CPC B60B 7/00; B60B 7/02; B60B 7/04; B60B
7/01; B60B 7/06; B60B 3/02; B60B 3/04;
B60B 3/06; B60B 3/10; B60B 1/00;
B60B 1/08; B60B 1/10; B60B 1/12
See application file for complete search history.

D517,972 S	3/2006	Tirado
D552,524 S	10/2007	Tirado
D553,070 S	10/2007	Tirado
D553,550 S	10/2007	Tirado
D565,490 S	4/2008	Tirado
D578,946 S	10/2008	Tirado
D592,579 S	5/2009	Tirado
D593,019 S	5/2009	Tirado
D593,478 S	6/2009	Tirado
D621,772 S	8/2010	Tirado
D622,203 S	8/2010	Tirado
D622,650 S	8/2010	Tirado
D629,732 S	12/2010	Tirado
D629,733 S	12/2010	Tirado
D633,840 S	3/2011	Johnson
D633,841 S	3/2011	Johnson
D633,846 S	3/2011	Johnson
D633,847 S	3/2011	Johnson
D633,848 S	3/2011	Johnson
D634,252 S	3/2011	Johnson
D634,253 S	3/2011	Johnson
D635,081 S	3/2011	Tirado
D638,339 S	5/2011	Tirado
D639,221 S	6/2011	Johnson

(Continued)

Primary Examiner — Stacia A Cadmus

(74) *Attorney, Agent, or Firm* — Lewis Roca Rothgerber
Christie LLP

(56) **References Cited**

U.S. PATENT DOCUMENTS

D483,713 S	12/2003	Tirado
D484,085 S	12/2003	Tirado
D489,307 S	5/2004	Tirado
D489,308 S	5/2004	Tirado
D505,650 S	5/2005	Tirado
D505,904 S	6/2005	Tirado
D508,452 S	8/2005	Tirado
D512,008 S	11/2005	Tirado
D512,011 S	11/2005	Tirado
D513,220 S	12/2005	Tirado
D516,001 S	2/2006	Tirado
D516,486 S	3/2006	Tirado
D516,492 S	3/2006	Tirado

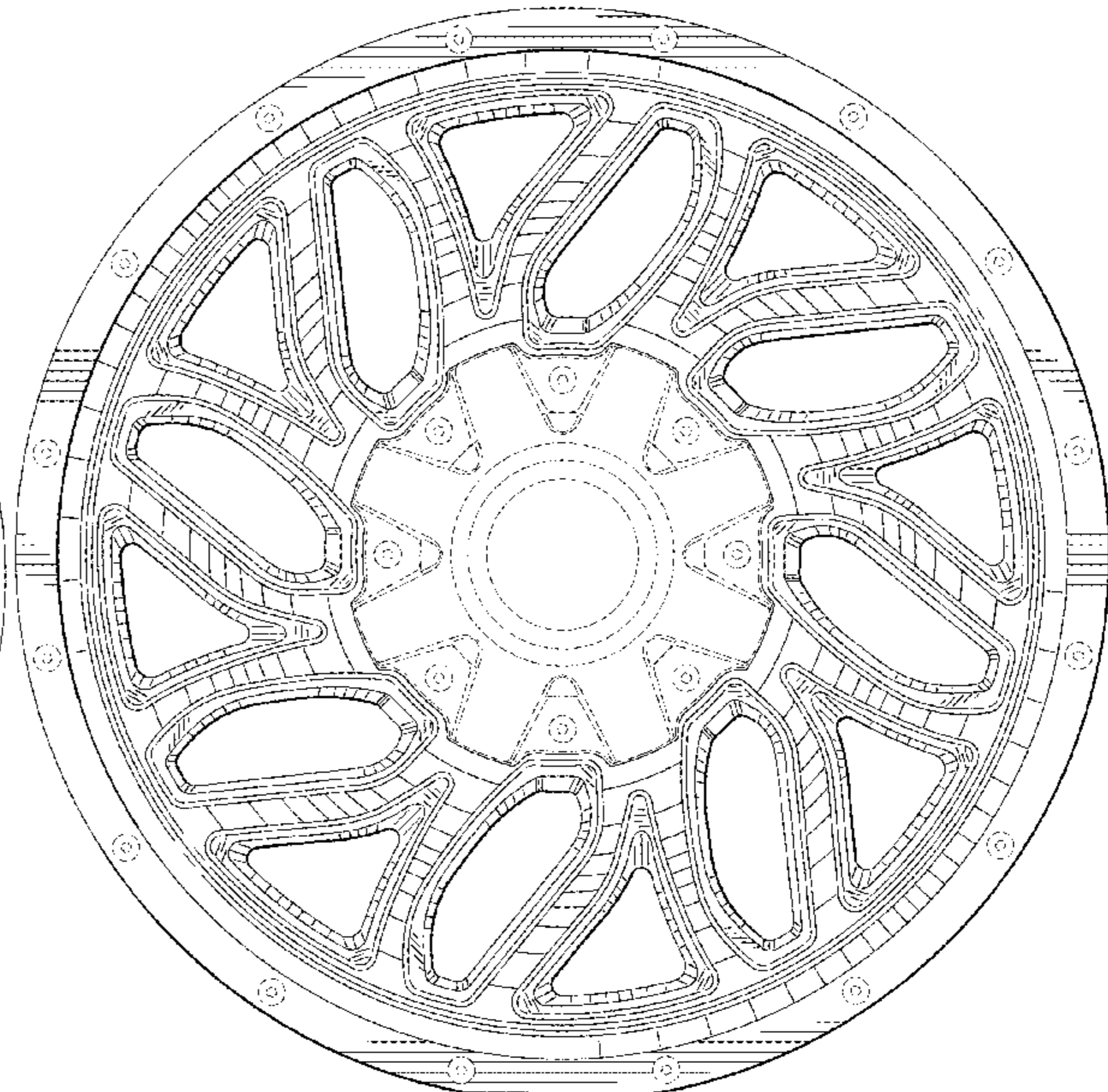
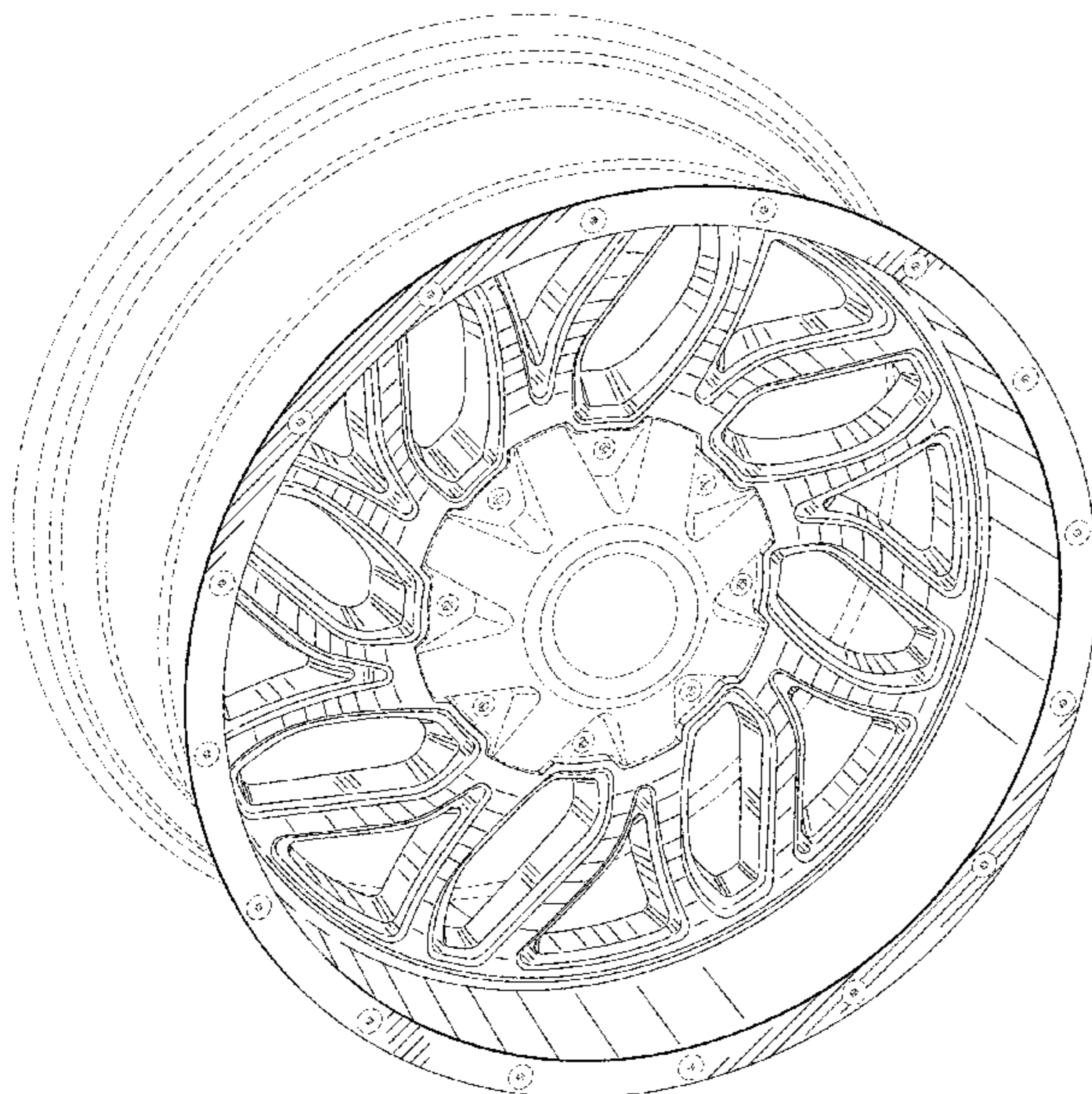
(57) **CLAIM**

The ornamental design for a front face of a vehicle wheel,
as shown and described.

DESCRIPTION

FIG. 1 is a perspective view of a front face of a vehicle wheel
showing my new design;
FIG. 2 is a front elevational view thereof; and,
FIG. 3 is a side elevational view thereof.
In the drawings the broken lines depict portions of the wheel
that form no part of the claimed design.

1 Claim, 3 Drawing Sheets



(56)

References Cited

U.S. PATENT DOCUMENTS

D639,222 S	6/2011	Johnson	D763,769 S	8/2016	Johnson	
D639,223 S	6/2011	Johnson	D763,770 S	8/2016	Johnson	
D639,228 S	6/2011	Johnson	D763,771 S	8/2016	Johnson	
D644,156 S	8/2011	Johnson	D765,573 S	9/2016	Johnson	
D656,447 S	3/2012	Johnson	D768,048 S	10/2016	Johnson	
D656,878 S	4/2012	Johnson	D769,170 S	10/2016	Johnson	
D657,296 S	4/2012	Johnson	D769,171 S	10/2016	Johnson	
D657,297 S	4/2012	Johnson	D772,132 S	* 11/2016	Kong	D12/211
D657,728 S	4/2012	Johnson	D774,440 S	12/2016	Johnson	
D659,063 S	5/2012	Johnson	D775,578 S	1/2017	Johnson	
D659,064 S	5/2012	Johnson	D790,425 S	6/2017	Johnson	
D659,065 S	5/2012	Johnson	D791,041 S	7/2017	Johnson	
D659,066 S	5/2012	Johnson	D791,042 S	7/2017	Johnson	
D659,068 S	5/2012	Johnson	D791,043 S	7/2017	Johnson	
D659,069 S	5/2012	Johnson	D791,044 S	7/2017	Johnson	
D659,070 S	5/2012	Johnson	D791,045 S	7/2017	Johnson	
D678,163 S	3/2013	Tirado	D791,051 S	7/2017	Johnson	
D683,296 S	5/2013	Tirado	D791,053 S	7/2017	Johnson	
D692,817 S	11/2013	Tirado	D791,057 S	7/2017	Johnson	
D694,166 S	11/2013	Tirado	D794,527 S	8/2017	Johnson	
D703,603 S	4/2014	Tirado	D817,843 S	* 5/2018	Hale, Jr.	D12/209
D715,722 S	10/2014	Johnson	D823,767 S	7/2018	Johnson	
D718,204 S	11/2014	Johnson	D832,761 S	11/2018	Johnson	
D719,496 S	12/2014	Johnson	D834,483 S	11/2018	Johnson	
D719,890 S	12/2014	Johnson	D837,709 S	* 1/2019	Chung	D12/209
D719,891 S	12/2014	Johnson	D855,539 S	* 8/2019	Han	D12/209
D722,937 S	2/2015	Johnson	D856,255 S	8/2019	Johnson	
D730,261 S	5/2015	Johnson	D857,592 S	* 8/2019	Han	D12/209
D741,771 S	10/2015	Johnson	D858,406 S	9/2019	Johnson	
D746,753 S	1/2016	Johnson	D863,190 S	* 10/2019	Han	D12/209
D746,754 S	1/2016	Johnson	D870,631 S	* 12/2019	Ash	D12/209
D747,256 S	1/2016	Johnson	D871,302 S	* 12/2019	Han	D12/209
D747,674 S	1/2016	Johnson	D874,375 S	* 2/2020	Han	D12/209
D747,675 S	1/2016	Johnson	D875,638 S	2/2020	Johnson	
D748,557 S	2/2016	Johnson	D877,676 S	* 3/2020	Lee	D12/209
D752,497 S	3/2016	Johnson	D883,891 S	* 5/2020	Johnson	D12/209
D755,697 S	5/2016	Tirado	D886,705 S	* 6/2020	Williams	D12/209
D755,698 S	5/2016	Tirado	D889,368 S	* 7/2020	Lee	D12/209
D756,882 S	5/2016	Tirado	D893,386 S	* 8/2020	Chung	D12/209
D761,178 S	7/2016	Johnson	D902,109 S	* 11/2020	Han	D12/209
			D911,910 S	* 3/2021	Hale, Jr.	D12/209
			D912,594 S	* 3/2021	Ranum	D12/209

* cited by examiner

FIG. 1

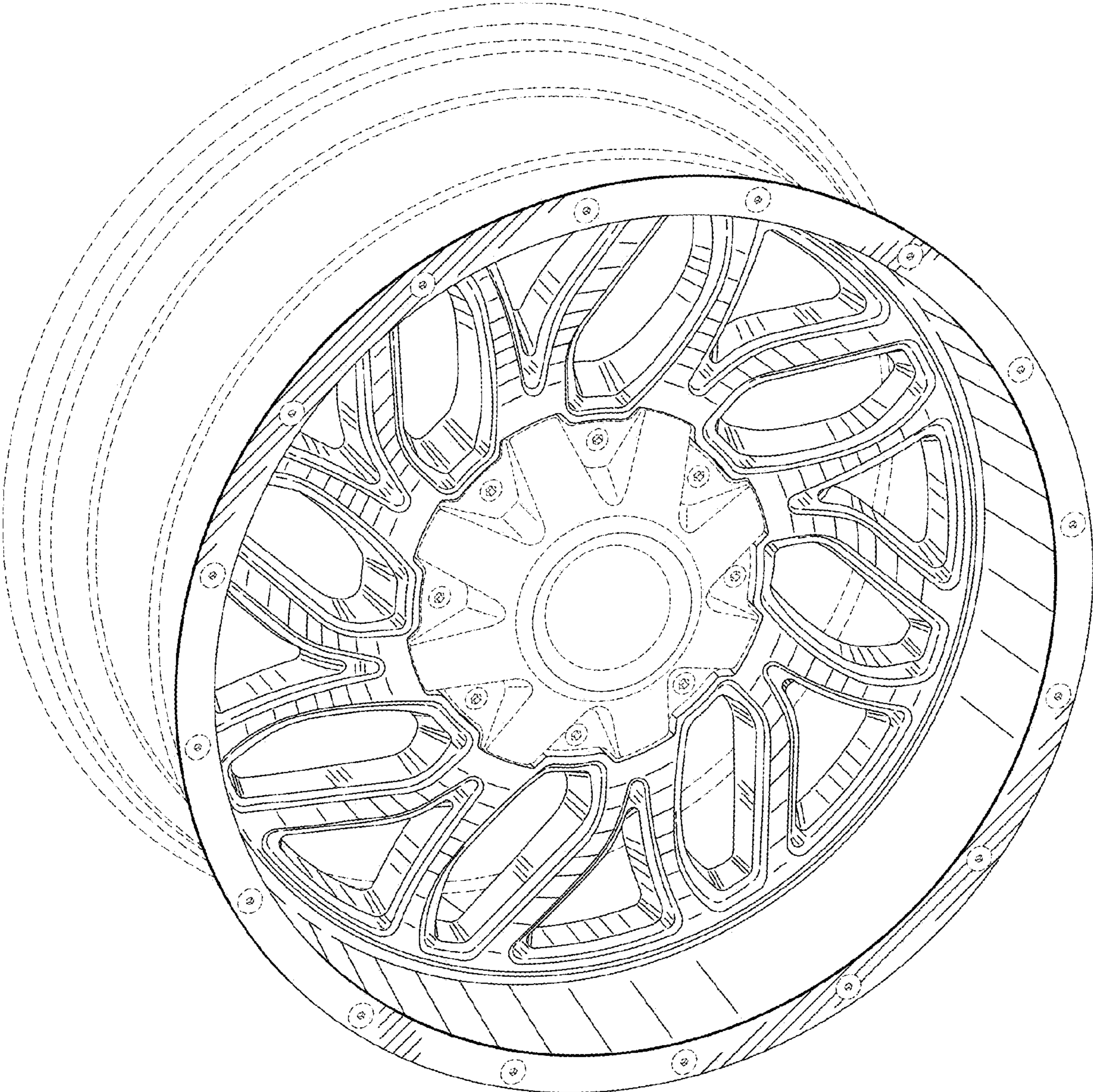


FIG. 2

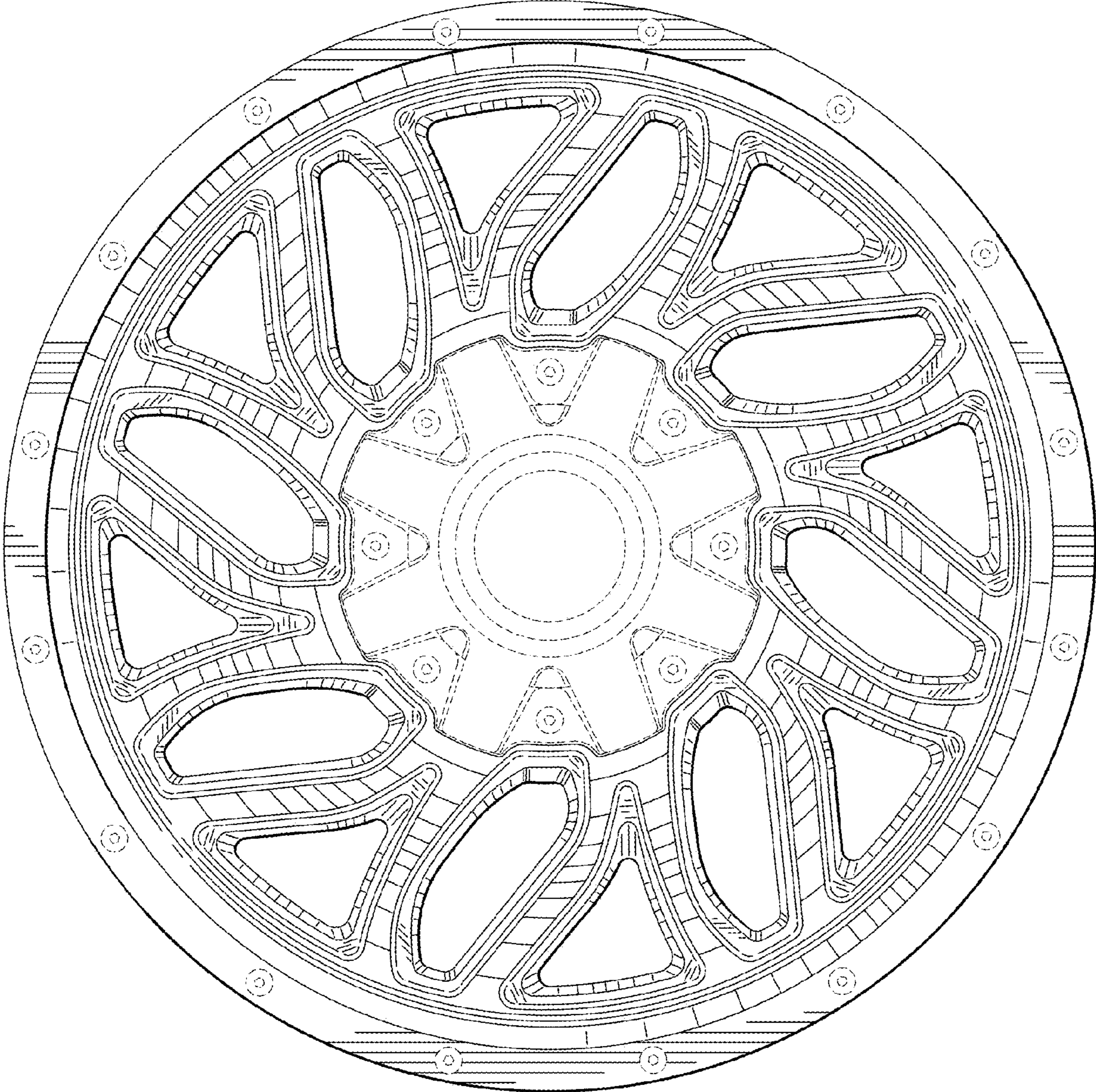


FIG. 3

