



US00D920202S

(12) **United States Design Patent**
Feng et al.

(10) **Patent No.:** **US D920,202 S**

(45) **Date of Patent:** **** May 25, 2021**

(54) **HOOD CORNER ACCENT PANEL**

(71) Applicant: **PACCAR Inc**, Bellevue, WA (US)

(72) Inventors: **Rogers Feng**, Issaquah, WA (US);
Elliott Black, Kirkland, WA (US);
Jonathan S. Duncan, Seattle, WA (US)

(73) Assignee: **PACCAR INC**, Bellevue, WA (US)

(**) Term: **15 Years**

(21) Appl. No.: **29/678,971**

(22) Filed: **Jan. 31, 2019**

(51) **LOC (13) Cl.** **12-16**

(52) **U.S. Cl.**
USPC **D12/196**

(58) **Field of Classification Search**

USPC D12/12, 14, 93, 96, 164, 169, 170, 171,
D12/172, 173, 181, 184, 185, 186, 190,
D12/192, 196, 400, 1, 7, 82, 85, 86, 87,
D12/88, 90, 91, 92, 95, 97, 99, 107, 163,
D12/167, 223; D21/533, 552, 561
CPC B62D 25/16; B62D 25/18; B62D 25/161;
B62D 25/168; B62D 25/182; B62D
25/163; B60R 19/00; B60R 19/02; B60R
2019/026; B60Y 2200/141; B60Y
2200/142; B60Y 2200/1422

See application file for complete search history.

(56) **References Cited**

U.S. PATENT DOCUMENTS

D157,334 S	*	2/1950	Bookman	D12/190
D159,810 S	*	8/1950	Hepner	D12/190
D302,257 S	*	7/1989	Breitschwerdt	D12/96
D307,878 S	*	5/1990	Lechner	D12/96
D422,944 S	*	4/2000	Hellhake	D12/96
D423,437 S	*	4/2000	Saleen	D12/167

(Continued)

Primary Examiner — Karen E Kearney

Assistant Examiner — Adam C Mager

(74) *Attorney, Agent, or Firm* — Seed IP Law Group LLP

(57) **CLAIM**

The ornamental design for a hood corner accent panel, as shown and described.

DESCRIPTION

FIG. 1 is an environmental view of a vehicle showing a hood corner accent panel according to an exemplary embodiment of our new design for use on a first side of the vehicle;

FIG. 2 is a front perspective view of the hood corner accent panel shown in FIG. 1 without the environmental elements;

FIG. 3 is a front view of the hood corner accent panel shown in FIG. 2;

FIG. 4 is a top view of the hood corner accent panel shown in FIG. 2;

FIG. 5 is a left side view of the hood corner accent panel shown in FIG. 2;

FIG. 6 is a right side view of the hood corner accent panel shown in FIG. 2;

FIG. 7 is an environmental view of a vehicle showing a hood corner accent panel according to an exemplary embodiment of our new design for use on a second side of the vehicle;

FIG. 8 is a front perspective view of the hood corner accent panel shown in FIG. 7 without the environmental elements;

FIG. 9 is a front view of the hood corner accent panel shown in FIG. 8;

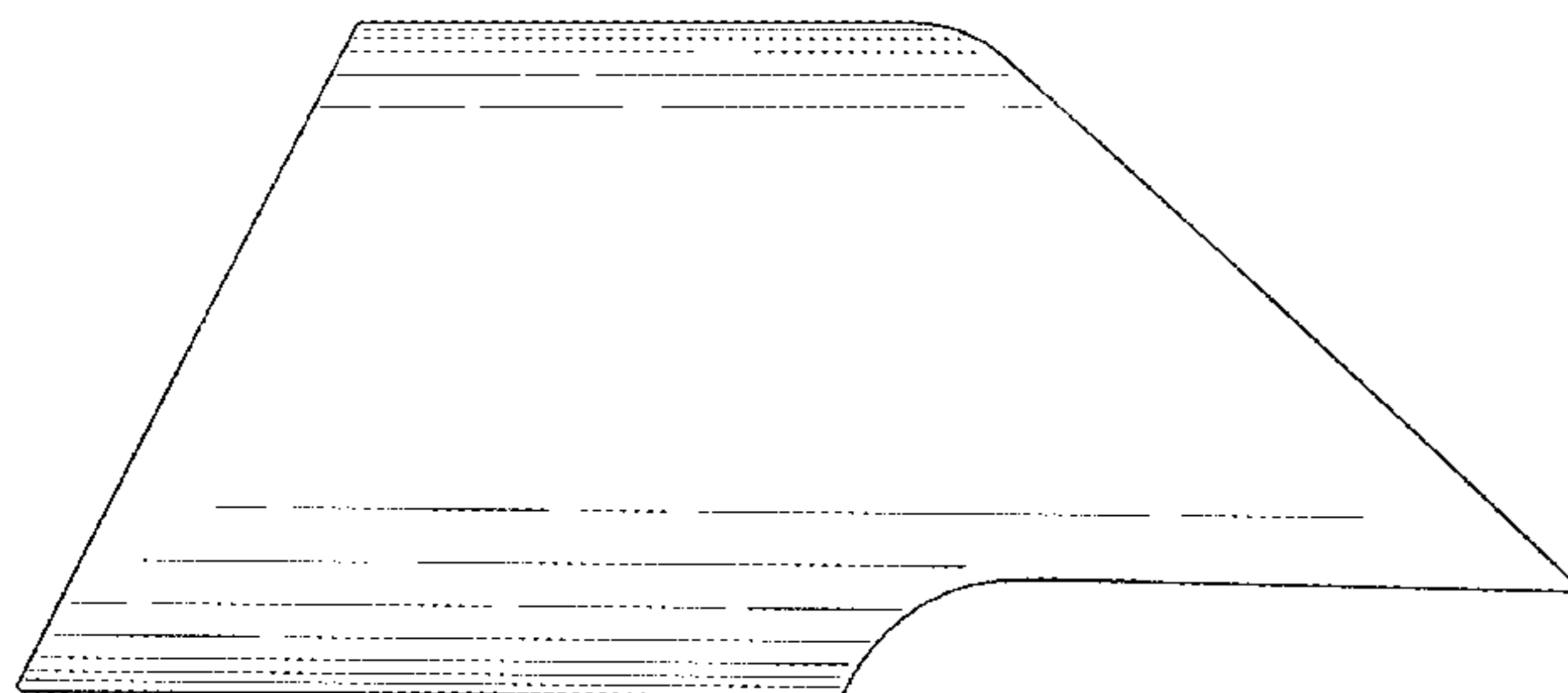
FIG. 10 is a top view of the hood corner accent panel shown in FIG. 8;

FIG. 11 is a right side view of the hood corner accent panel shown in FIG. 8; and,

FIG. 12 is a left side view of the hood corner accent panel shown in FIG. 8.

The broken lines shown in the figures represent environment that form no part of the claimed design.

1 Claim, 8 Drawing Sheets



(56)

References Cited

U.S. PATENT DOCUMENTS

D425,826	S	*	5/2000	Hellhake	D12/96
D482,993	S	*	12/2003	Conway	D12/184
D495,643	S	*	9/2004	Perfetti	D12/196
D726,095	S	*	4/2015	Simecek	D12/400
D817,241	S	*	5/2018	Warden	D12/196
D890,664	S	*	7/2020	Feng	D12/196

* cited by examiner

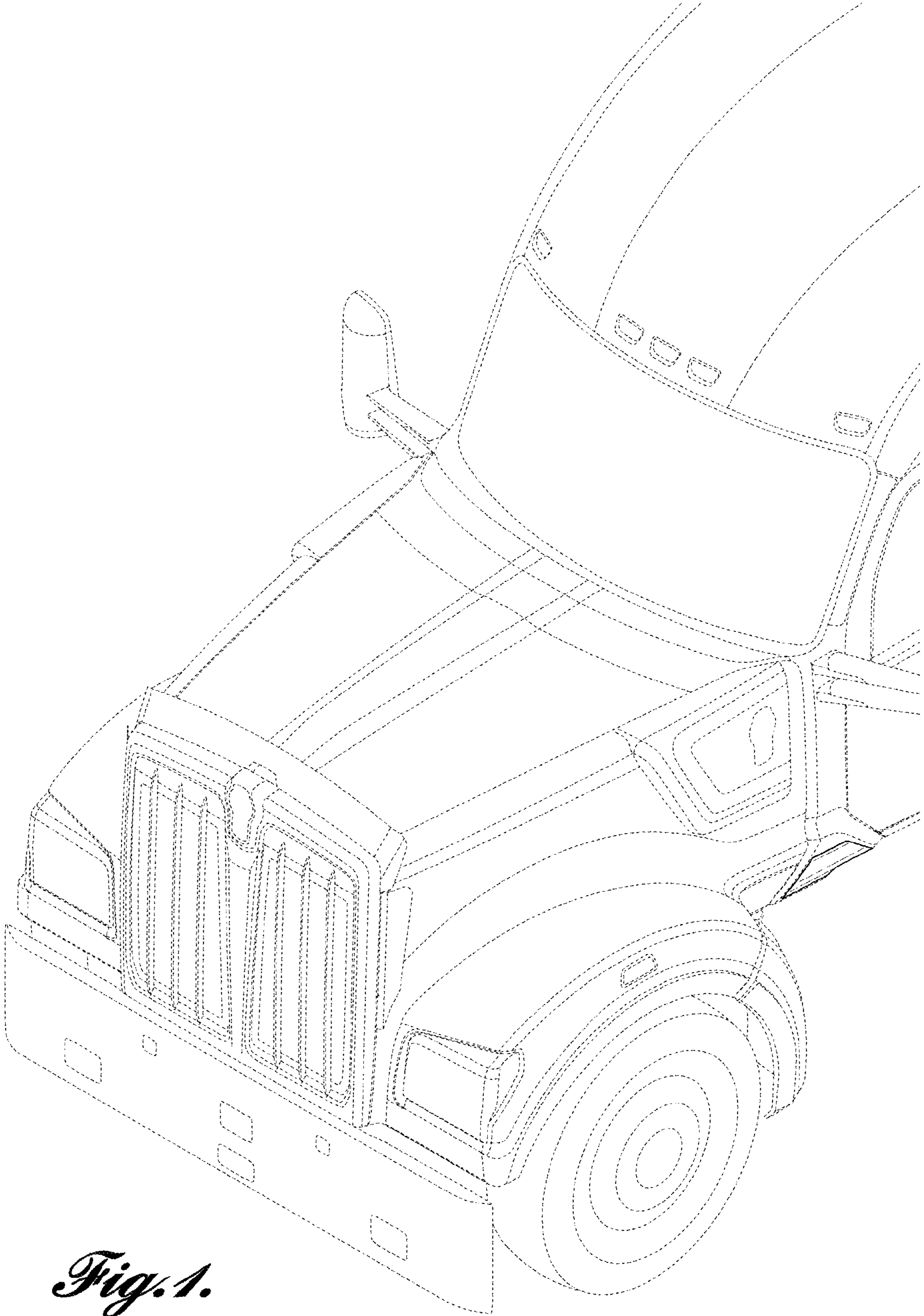
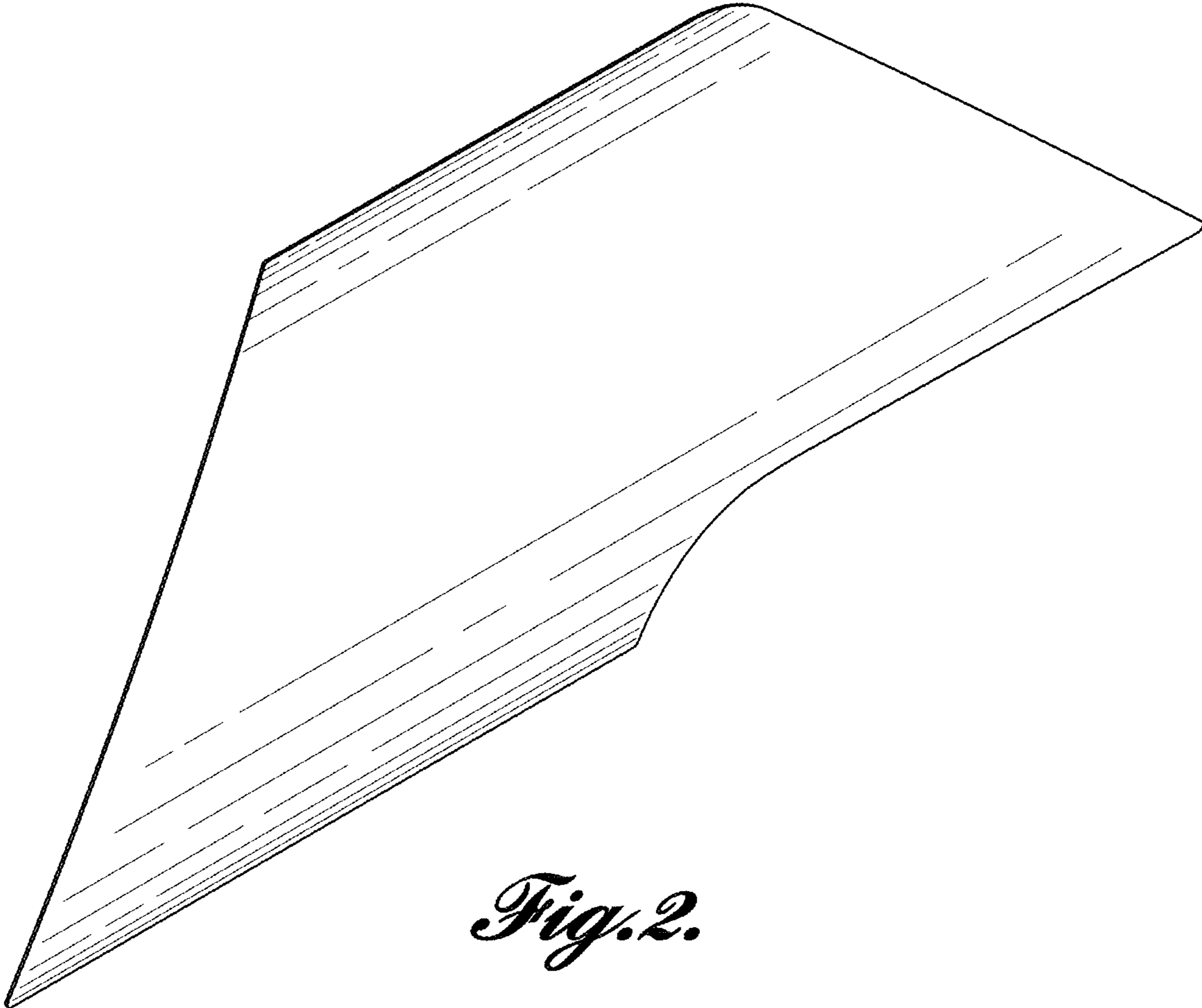


Fig. 1.



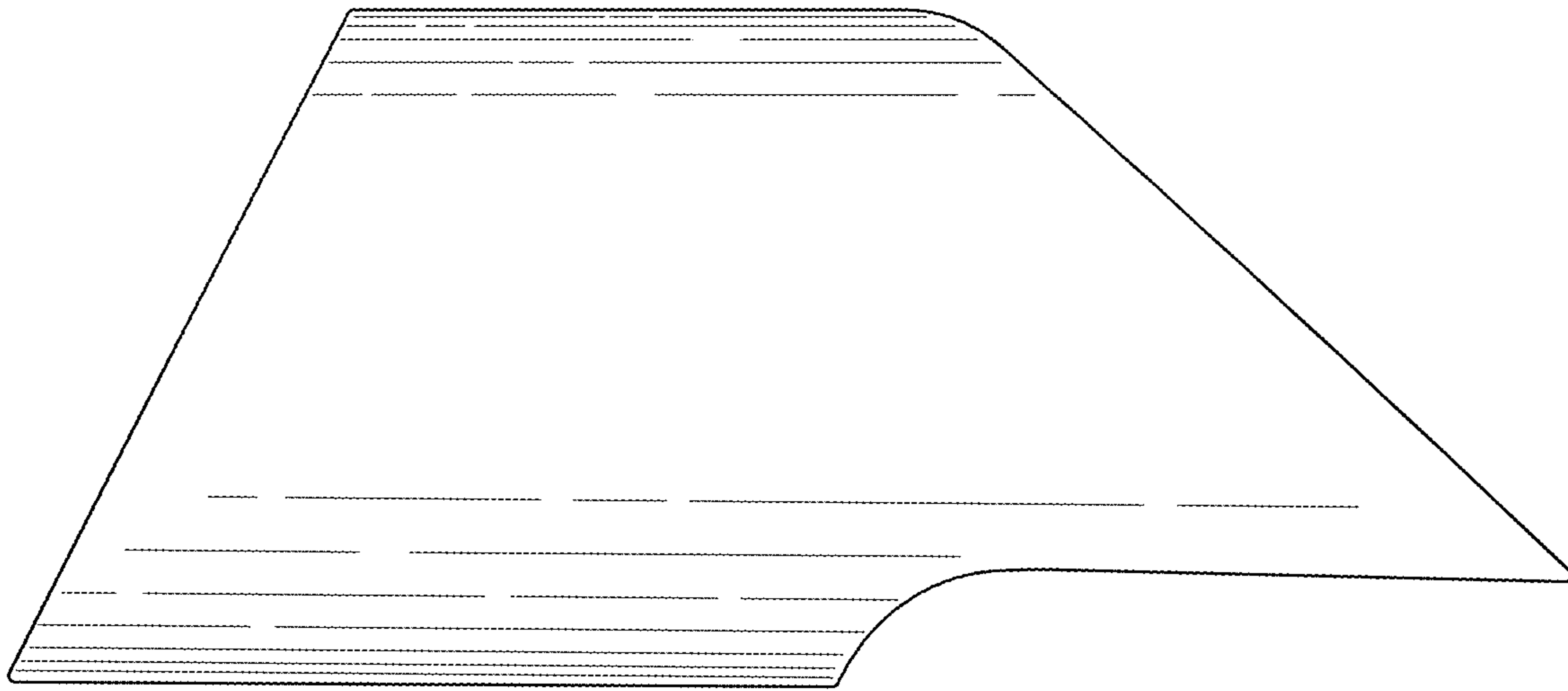


Fig. 3.

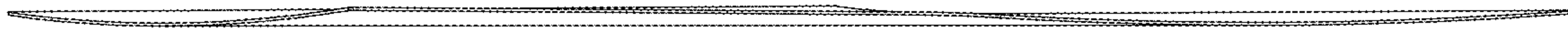


Fig. 4.



Fig. 5.

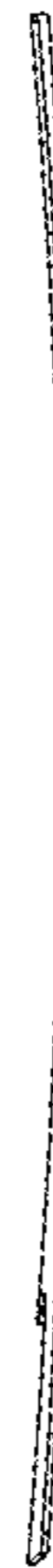


Fig. 6.

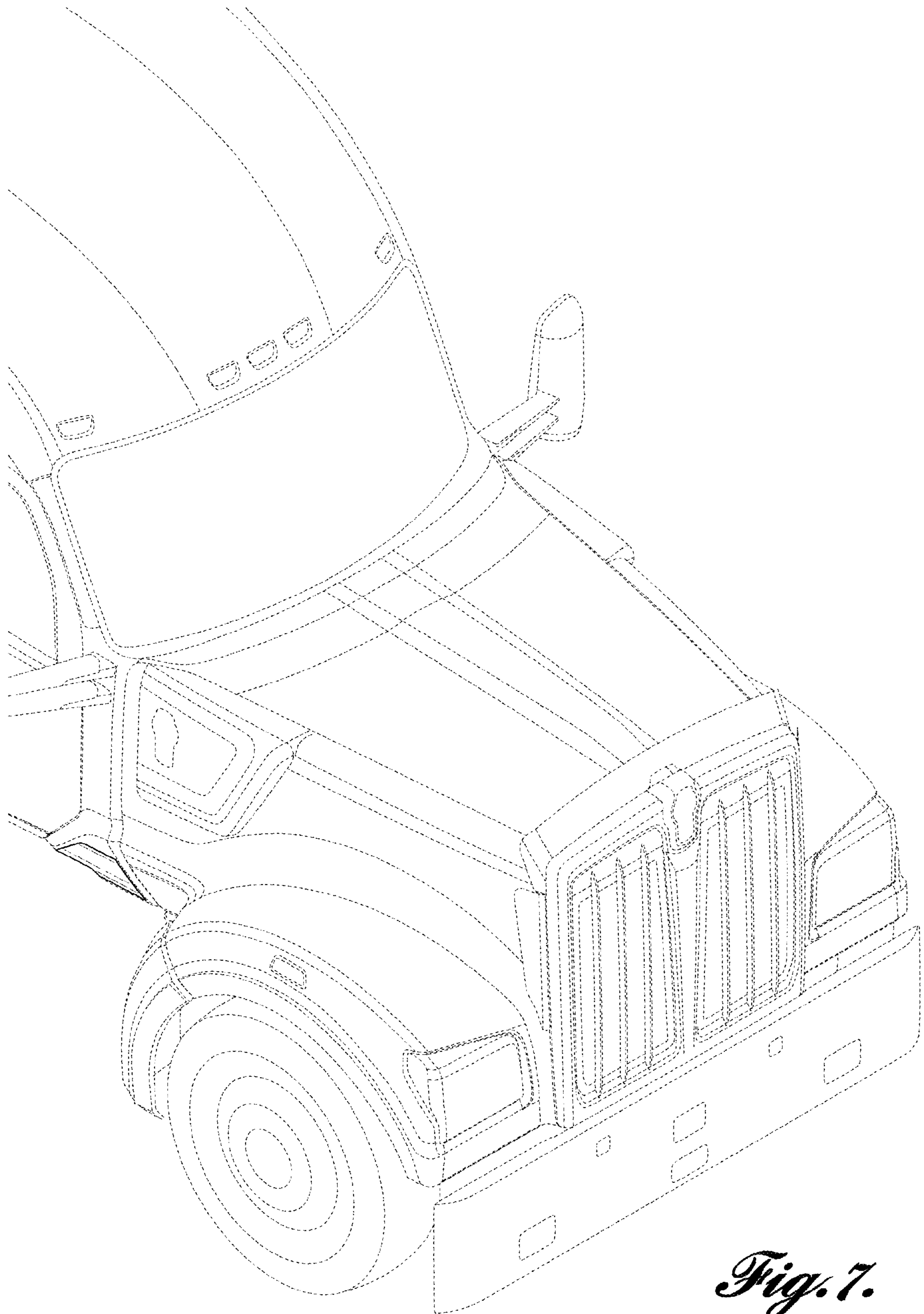
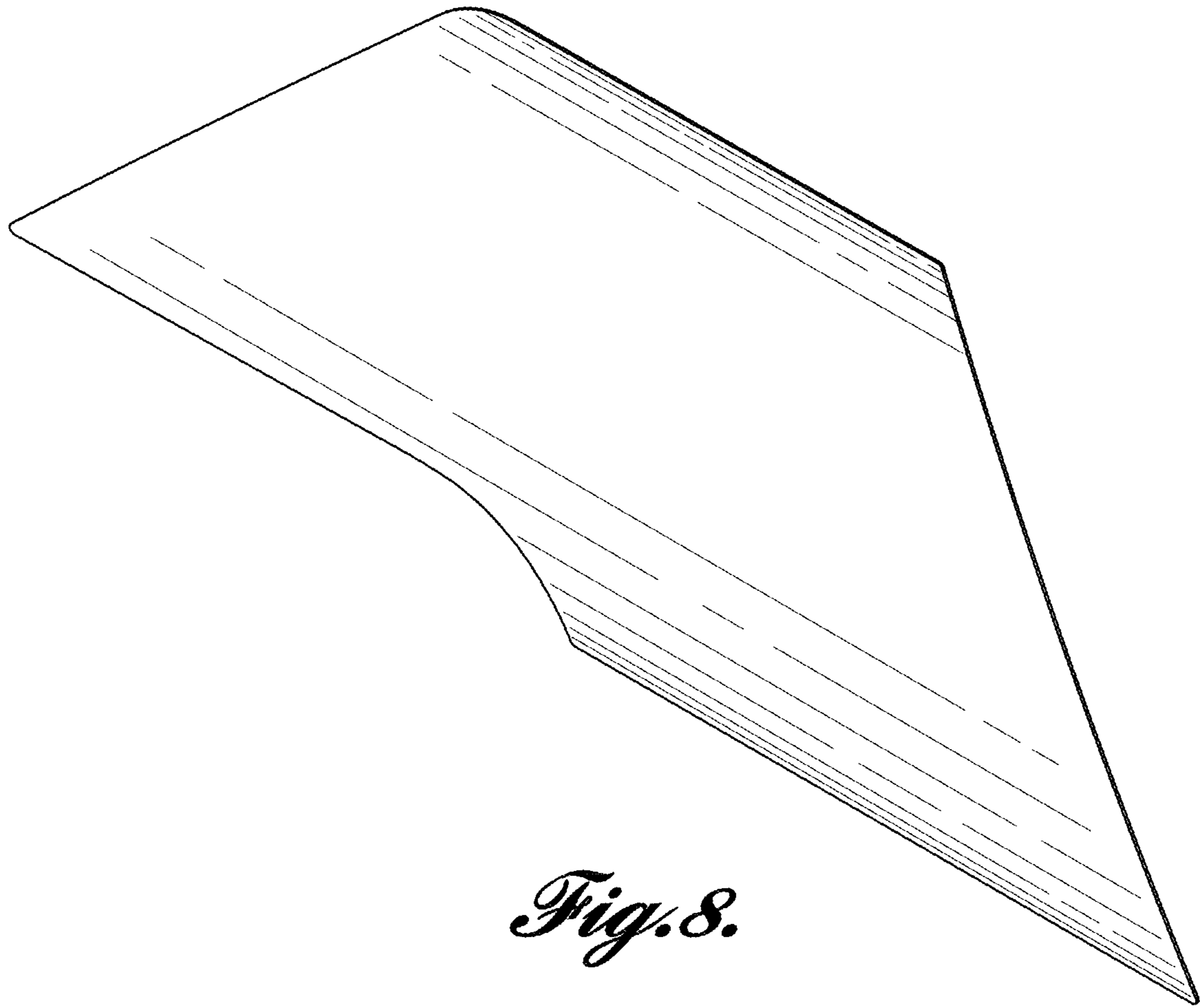


Fig. 7.



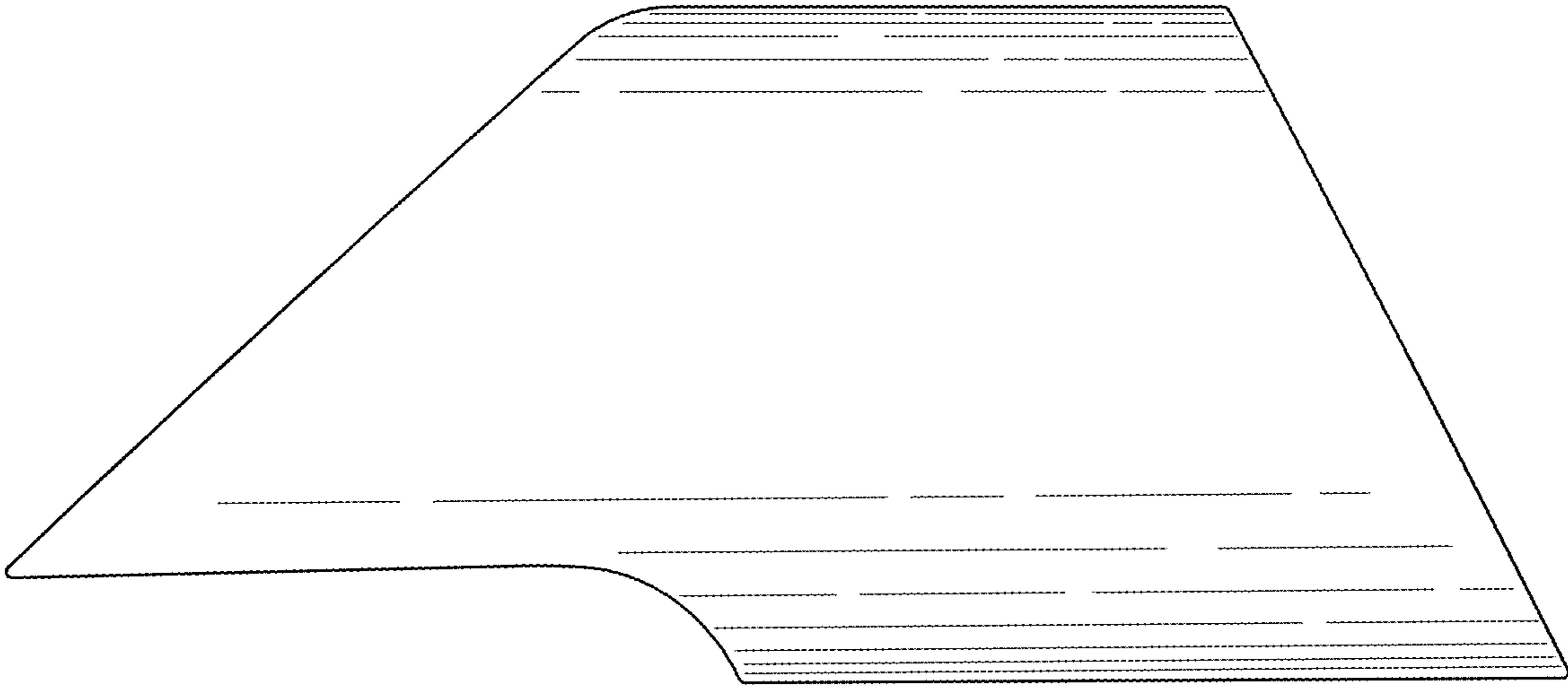


Fig. 9.

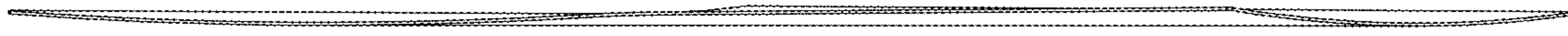


Fig. 10.



Fig. 11.

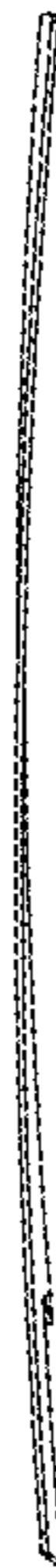


Fig. 12.