



US00D920199S

(12) **United States Design Patent** (10) **Patent No.:** **US D920,199 S**  
**Dube** (45) **Date of Patent:** **\*\* May 25, 2021**

(54) **CAR DOOR PROTECTOR**  
(71) Applicant: **Joanne Dube**, Binbrook (CA)  
(72) Inventor: **Joanne Dube**, Binbrook (CA)  
(\*\*) Term: **15 Years**  
(21) Appl. No.: **29/590,487**  
(22) Filed: **Jan. 11, 2017**  
(51) **LOC (13) Cl.** ..... **12-16**  
(52) **U.S. Cl.**  
USPC ..... **D12/190**  
(58) **Field of Classification Search**  
USPC ..... D12/90, 91, 106, 114, 163, 169, 171,  
D12/190, 167; D11/81, 221; D21/561,  
D21/562; D20/11, 23, 24, 25, 30, 31, 32  
CPC ..... B60R 13/04; B60R 13/043; B60R 19/38;  
B60R 19/42  
See application file for complete search history.

(56) **References Cited**  
U.S. PATENT DOCUMENTS  
3,288,512 A \* 11/1966 Zientara ..... B60R 13/04  
293/128  
4,828,302 A \* 5/1989 Marasigan, Jr. .... B60R 13/04  
280/770  
5,004,281 A \* 4/1991 Yamazaki ..... B60R 13/04  
293/118  
D338,647 S \* 8/1993 Bailey ..... D12/167  
D368,060 S \* 3/1996 Perlman ..... D12/167  
D446,484 S \* 8/2001 Martel ..... B60R 13/04  
D12/167  
D471,142 S \* 3/2003 Carroll ..... D12/196  
D484,080 S \* 12/2003 Yamamoto ..... D12/190  
D613,220 S \* 4/2010 Ikeda ..... D12/190  
D653,178 S \* 1/2012 Carducci ..... D12/167  
8,444,191 B2 \* 5/2013 Akers ..... B60R 13/04  
293/128

D723,434 S \* 3/2015 McNeil ..... D12/167  
D743,852 S \* 11/2015 Rouzaud ..... D12/167  
9,457,747 B1 \* 10/2016 Marquette ..... B60R 13/04  
9,662,964 B1 \* 5/2017 Mirza ..... B60R 19/42  
D795,144 S \* 8/2017 Leetz ..... D12/190  
D807,247 S \* 1/2018 Malina ..... D12/167  
D820,179 S \* 6/2018 Kladde ..... D12/190  
D840,291 S \* 2/2019 Ardrey ..... D12/167  
D850,344 S \* 6/2019 DeMatthews ..... D12/190  
D856,435 S \* 8/2019 Wood ..... D21/561  
2005/0099026 A1 \* 5/2005 Velazquez ..... B60R 13/04  
293/128  
2007/0273167 A1 \* 11/2007 Alexander ..... B60R 19/42  
293/126  
2015/0123412 A1 \* 5/2015 Kim ..... B60R 13/043  
293/128  
2019/0047499 A1 \* 2/2019 Villegas ..... B60R 19/38

\* cited by examiner

*Primary Examiner* — Susan E Krakower  
*Assistant Examiner* — Jerry Shiuian-Hua Hsu  
(74) *Attorney, Agent, or Firm* — Furr Law Firm; Jeffrey Furr, Esq.

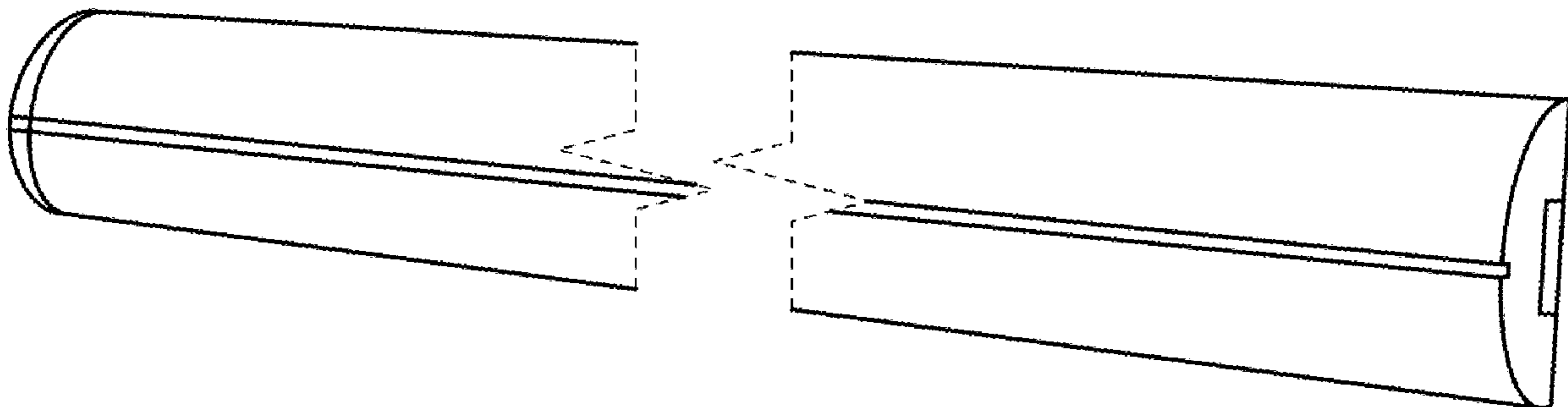
(57) **CLAIM**

The ornamental design for a car door protector, as shown.

**DESCRIPTION**

FIG. 1 is a front, right perspective view of a car door protector, showing my new design;  
FIG. 2 is a rear, right perspective view thereof;  
FIG. 3 is a right side elevation view thereof, enlarged for ease of illustration; and,  
FIG. 4 is a left side elevation view thereof, enlarged for ease of illustration.  
The zig-zag broken lines illustrating a symbolic break, forms no part of the claimed design. The appearance of any portion of the article between the symbolic breaks are understood to form no part of the claimed design.

**1 Claim, 2 Drawing Sheets**



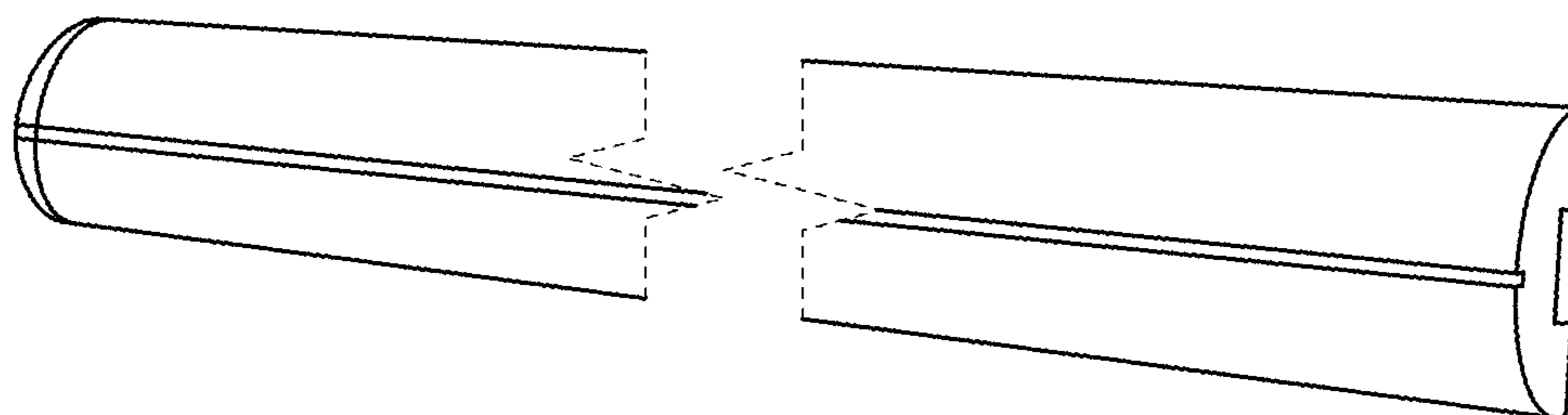


FIG. 1

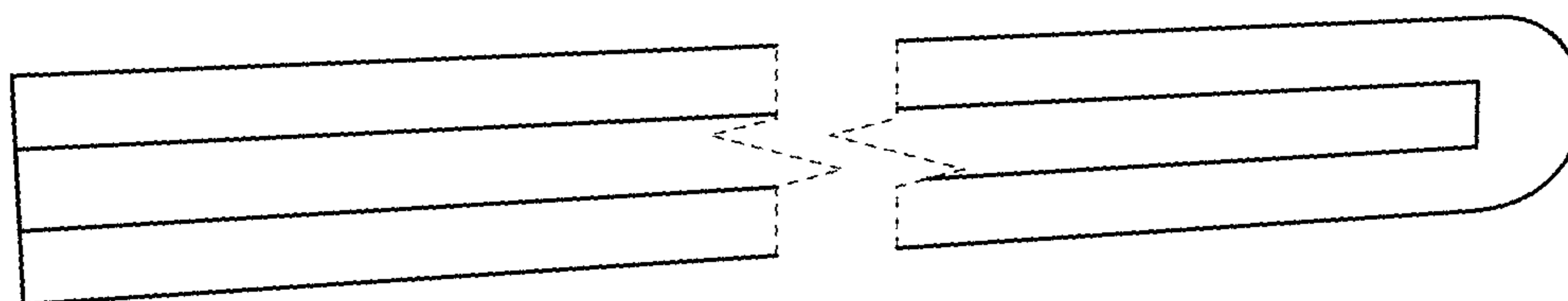


FIG. 2

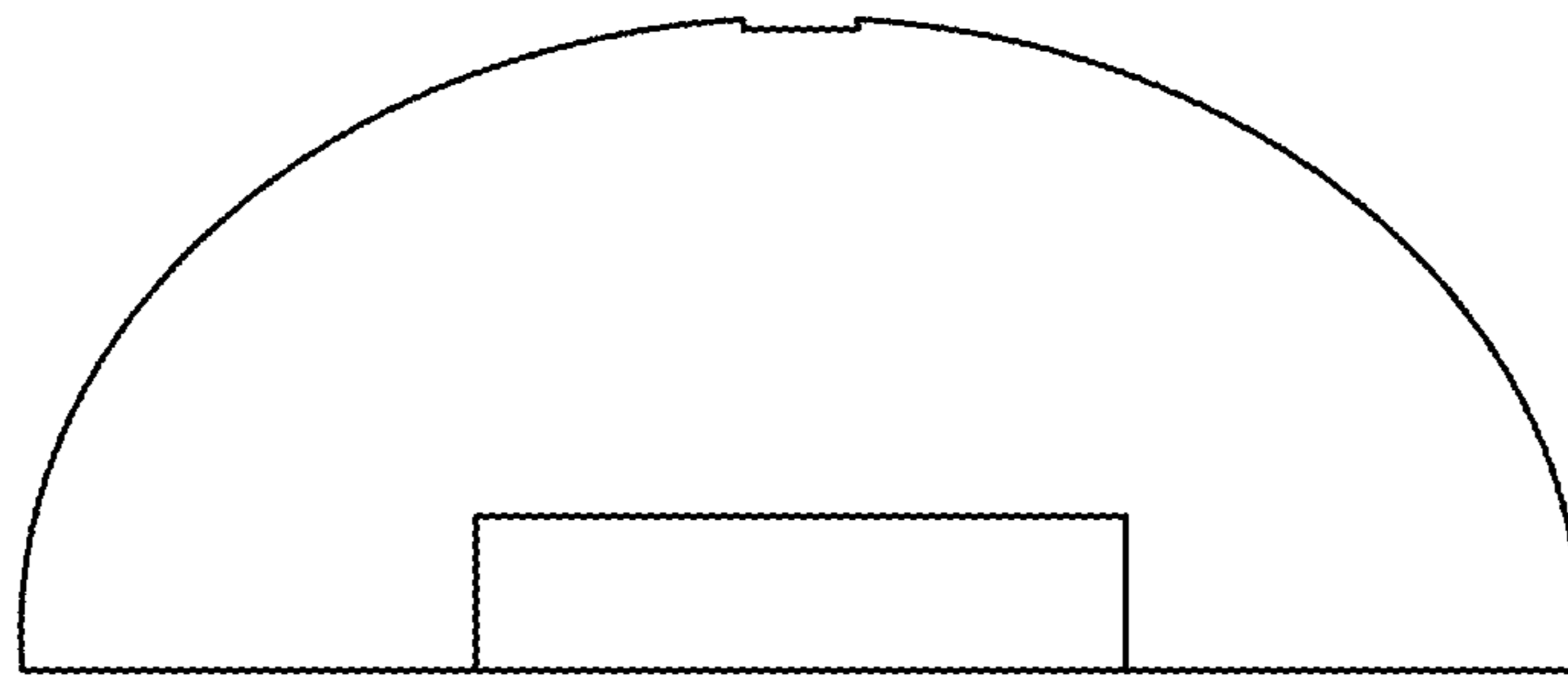


FIG. 3

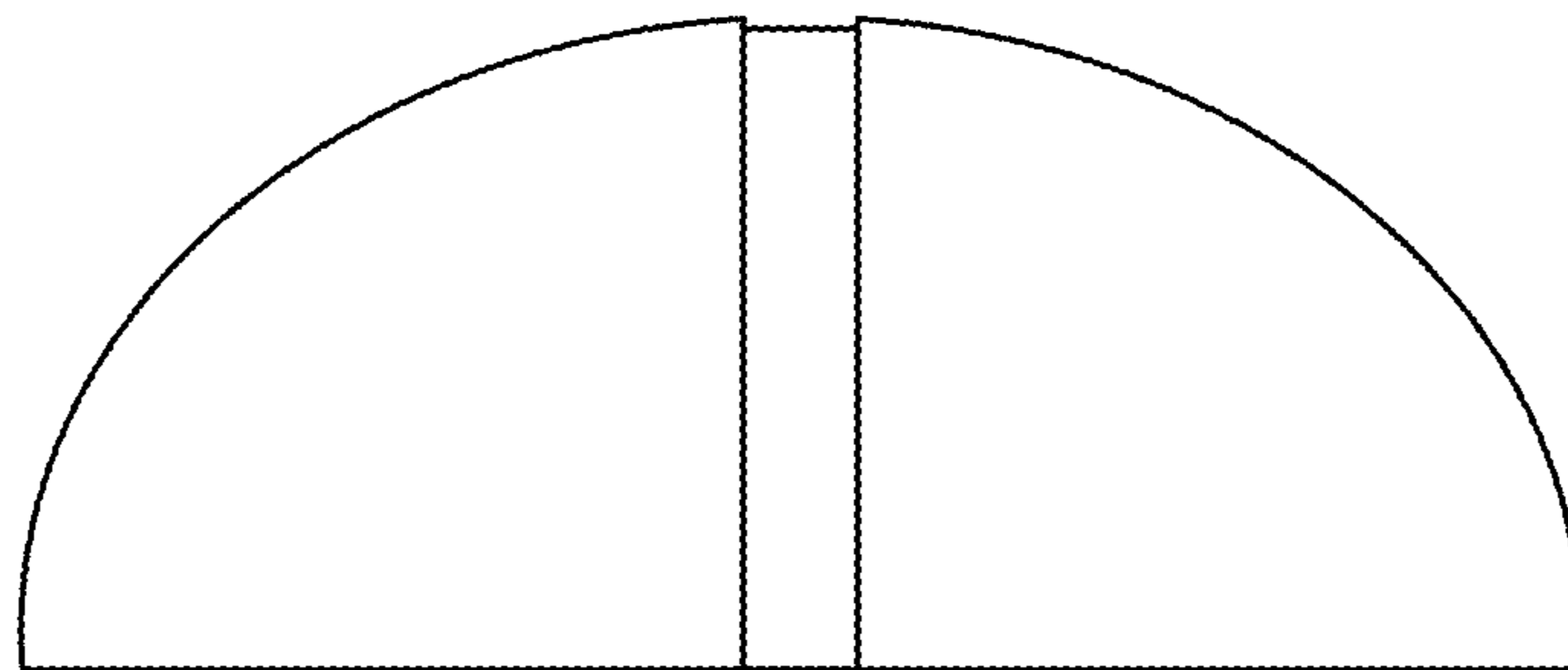


FIG. 4