

US00D920198S

(12) **United States Design Patent** (10) **Patent No.:** **US D920,198 S**
Jia et al. (45) **Date of Patent:** **** May 25, 2021**

(54) **MULTI-FUNCTIONAL CAR WINDOW SHADING CURTAIN**
(71) Applicant: **Guangzhou Jiaotu Information Technology Co., Ltd.**, Guangzhou (CN)
(72) Inventors: **Zhuo Jia**, Guangzhou (CN); **Taiping Yang**, Guangzhou (CN)
(**) Term: **15 Years**
(21) Appl. No.: **29/762,779**
(22) Filed: **Dec. 18, 2020**
(51) **LOC (13) Cl.** **12-16**
(52) **U.S. Cl.**
USPC **D12/183**
(58) **Field of Classification Search**
USPC D12/182, 183, 190, 191, 401, 404
CPC B60J 3/0204; B60J 1/2002; B60J 1/2005; B60J 1/20; B60J 3/0208; B60J 3/02
See application file for complete search history.

D904,949 S * 12/2020 Rago D12/183
2009/0091154 A1* 4/2009 Gong B60J 1/2011
296/97.9
2011/0017412 A1* 1/2011 MacNeil F16B 47/00
160/370.21
2012/0073770 A1* 3/2012 Zheng E06B 9/24
160/377
2014/0245556 A1* 9/2014 Kaminer A47L 11/284
15/228
2015/0101768 A1* 4/2015 Lee B60J 1/2091
160/370.21

* cited by examiner

Primary Examiner — Katrina A Betton

(74) *Attorney, Agent, or Firm* — Runit Ranjit Kanakia

(57) **CLAIM**

We claim the ornamental design for a multi-functional car window shading curtain, as shown and described.

DESCRIPTION

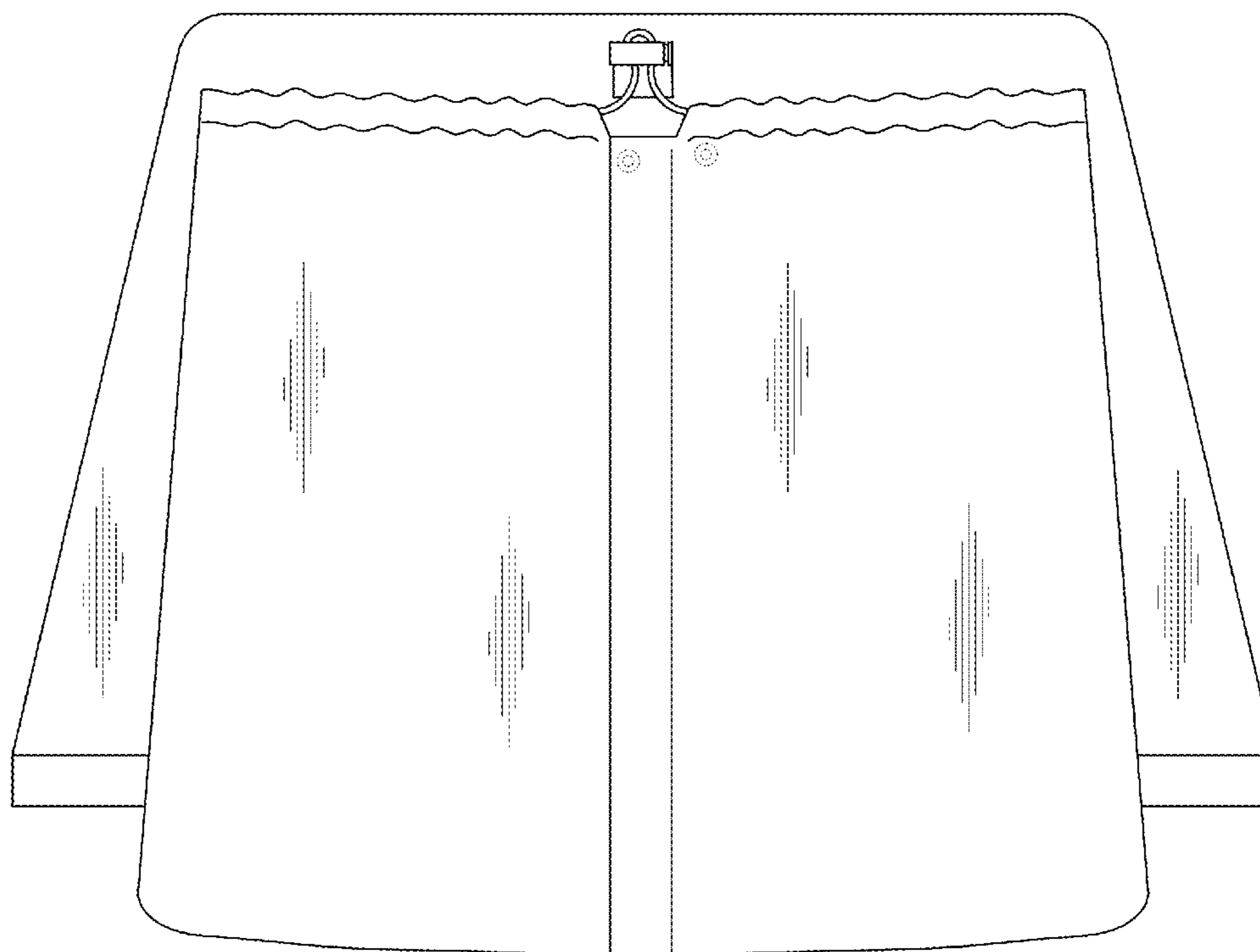
FIG. 1 is a Perspective view of a multi-functional car window shading curtain showing my new design;
FIG. 2 is a Front view thereof;
FIG. 3 is a Back view thereof;
FIG. 4 is a Left-side view thereof;
FIG. 5 is a Right-side view thereof;
FIG. 6 is a Top view thereof;
FIG. 7 is a Bottom view thereof; and,
FIG. 8 is a Perspective view of a multi-functional car window shading curtain showing in close position.
The broken lines in the drawings depict portions of the multi-functional car window shading curtain that form no part of the claimed design.

(56) **References Cited**

U.S. PATENT DOCUMENTS

D686,432 S 7/2013 Colledge
D735,628 S * 8/2015 Eskandry D12/183
D740,052 S * 10/2015 Jalbert D6/582
D757,618 S * 5/2016 Richardson D12/183
9,499,030 B1 * 11/2016 Gong B60J 1/2011
D780,479 S 3/2017 Cheng
D809,159 S 1/2018 Alexander
D860,682 S 9/2019 Gaetano
D876,121 S 2/2020 Sun
D879,689 S * 3/2020 Holt D12/183

1 Claim, 6 Drawing Sheets



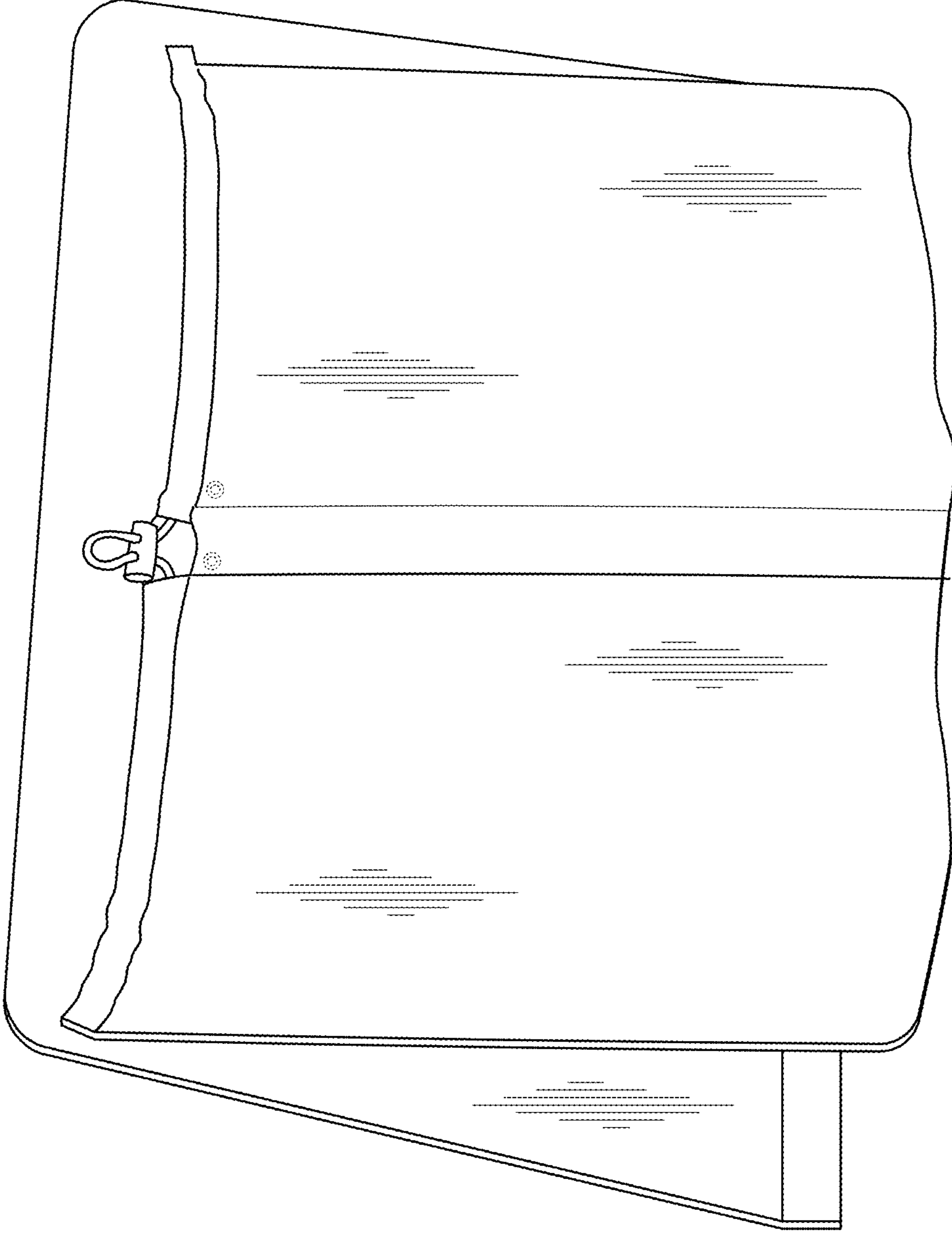


FIG. 1

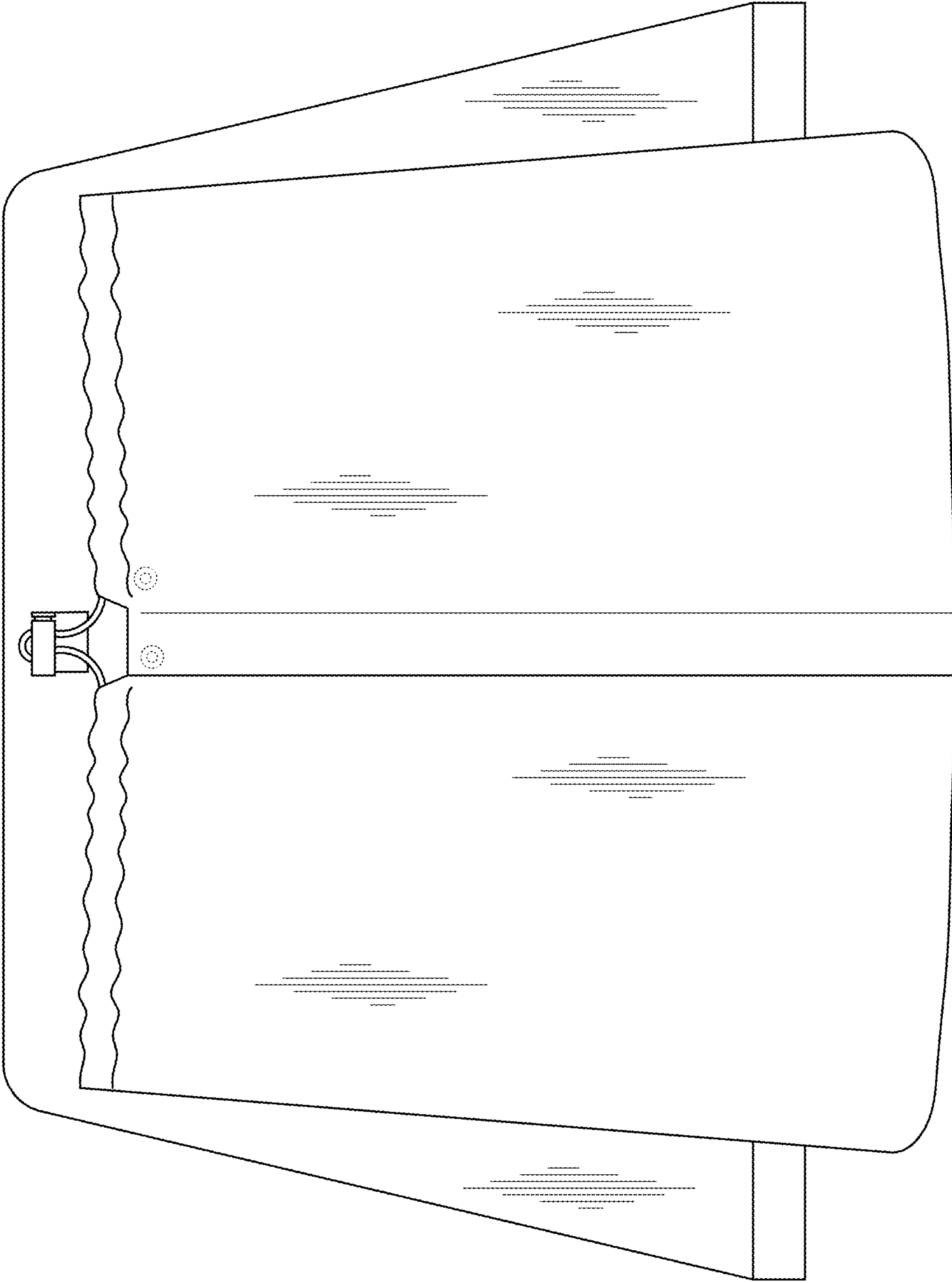


FIG. 2

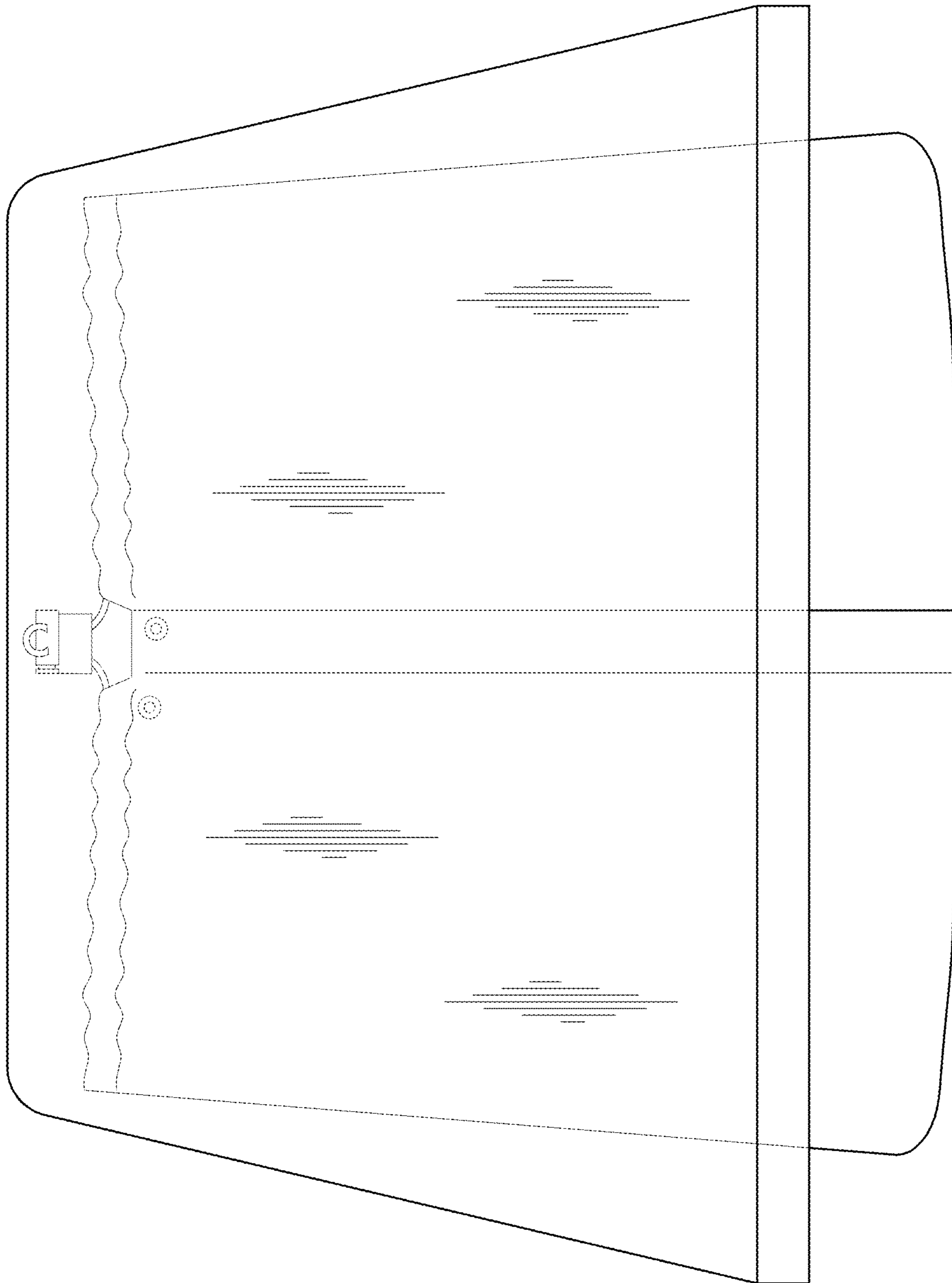


FIG. 3

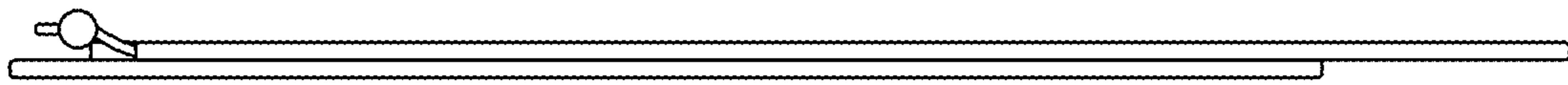


FIG. 5

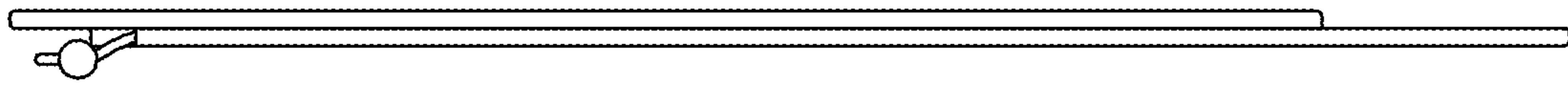


FIG. 4



FIG. 6

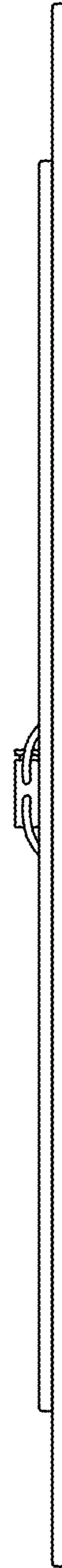


FIG. 7

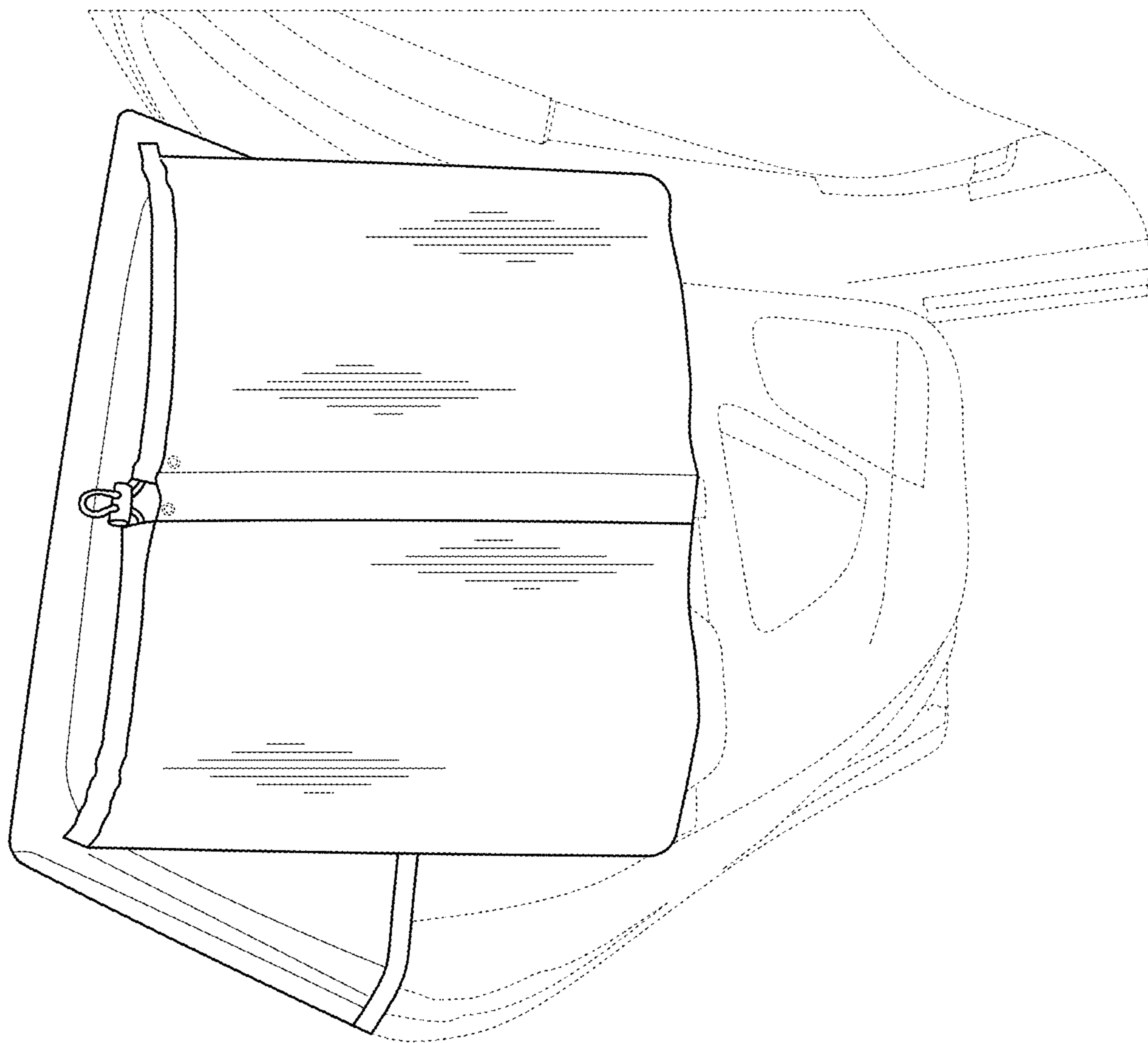


FIG. 8