



US00D920193S

(12) **United States Design Patent** (10) **Patent No.:** **US D920,193 S**  
**Majdandzic et al.** (45) **Date of Patent:** **\*\* May 25, 2021**

(54) **REAR BUMPER FOR AN AUTOMOBILE**  
(71) Applicants: **Mario Majdandzic**, Nagoya (JP);  
**Kenji Kido**, Okazaki (JP); **Shota Ito**,  
Susono (JP); **Takeo Okuno**, Yokohama  
(JP)  
(72) Inventors: **Mario Majdandzic**, Nagoya (JP);  
**Kenji Kido**, Okazaki (JP); **Shota Ito**,  
Susono (JP); **Takeo Okuno**, Yokohama  
(JP)

D807,801 S \* 1/2018 Piscitelli ..... D12/169  
D824,817 S \* 8/2018 Morikawa ..... D12/169  
D824,818 S \* 8/2018 Morikawa ..... D12/169  
D826,113 S \* 8/2018 Kanai ..... D12/169  
D838,638 S \* 1/2019 Wada ..... D12/169  
D840,883 S \* 2/2019 Cartabiano ..... D12/169  
D841,537 S \* 2/2019 Morikawa ..... D12/169  
D853,905 S \* 7/2019 Betancourt ..... D12/169  
D865,583 S \* 11/2019 Burki ..... D12/169  
D866,418 S \* 11/2019 Peplowski ..... D12/169  
D867,234 S \* 11/2019 Peplowski ..... D12/169  
D882,467 S \* 4/2020 Matsumoto ..... D12/169  
D882,468 S \* 4/2020 Sperling ..... D12/169  
D909,930 S \* 2/2021 Patel ..... D12/169

(73) Assignee: **TOYOTA JIDOSHA KABUSHIKI  
KAISHA**

(\*\*) Term: **15 Years**  
(21) Appl. No.: **29/714,146**  
(22) Filed: **Nov. 21, 2019**

(30) **Foreign Application Priority Data**  
May 23, 2019 (JP) ..... 2019-011173  
(51) **LOC (13) Cl.** ..... **12-16**  
(52) **U.S. Cl.**  
USPC ..... **D12/169**  
(58) **Field of Classification Search**  
USPC ..... D12/169, 163, 196, 86, 90-92;  
296/180.1, 180.2; 293/102, 115, 117, 120  
CPC ..... B60R 2019/25; B62D 25/084  
See application file for complete search history.

(56) **References Cited**  
U.S. PATENT DOCUMENTS  
D725,010 S \* 3/2015 Takei ..... D12/169  
D782,373 S \* 3/2017 Curie ..... D12/169  
D792,291 S \* 7/2017 Suga ..... D12/169  
D800,034 S \* 10/2017 Kojima ..... D12/169  
D802,500 S \* 11/2017 Han ..... D12/169

**OTHER PUBLICATIONS**

netcarshow.com, Toyota Corolla Hatchback (2019), <[https://www.netcarshow.com/toyota/2019-corolla\\_hatchback/](https://www.netcarshow.com/toyota/2019-corolla_hatchback/)>, available as early as Mar. 28, 2019.

\* cited by examiner

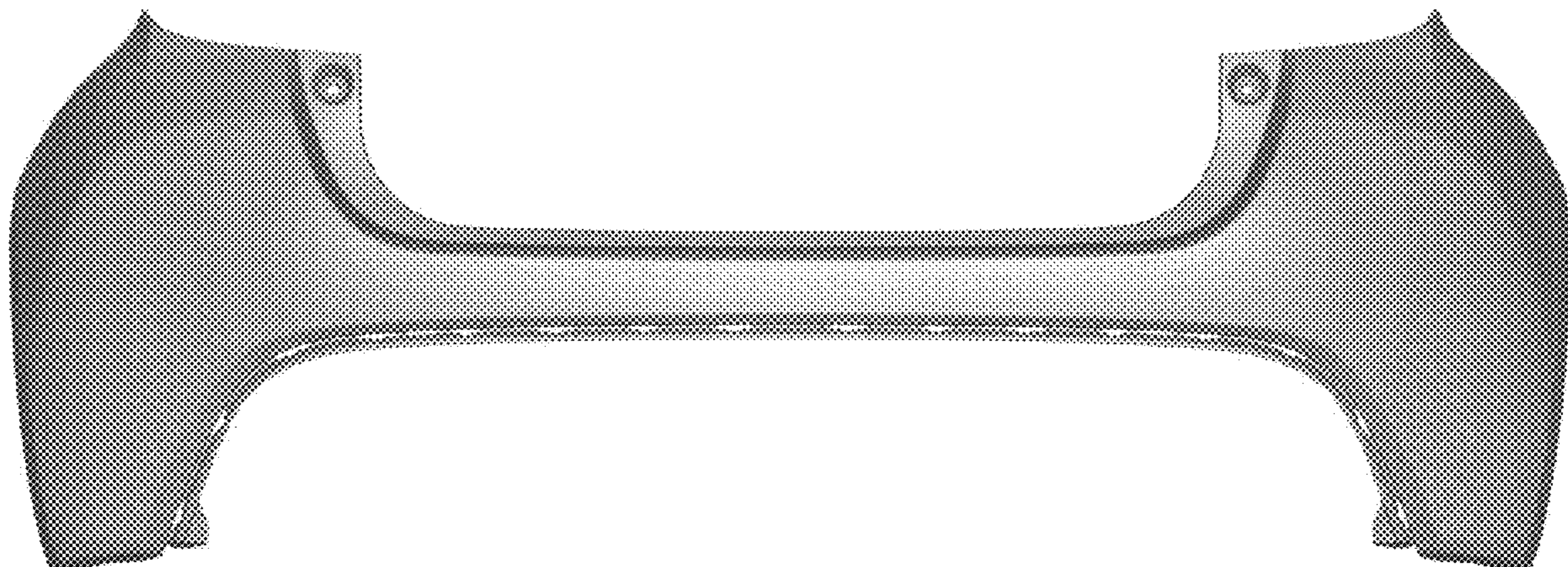
*Primary Examiner* — Melody N Brown  
(74) *Attorney, Agent, or Firm* — Saidman DesignLaw Group, LLC

(57) **CLAIM**  
The ornamental design for a rear bumper for an automobile, as shown and described.

**DESCRIPTION**

FIG. 1 is a perspective view of a rear bumper for an automobile showing our new design; FIG. 2 is a front view thereof; FIG. 3 is a rear view thereof; FIG. 4 is a right side view thereof; FIG. 5 is a left side view thereof; FIG. 6 is a top view thereof; and, FIG. 7 is a bottom view thereof.

**1 Claim, 7 Drawing Sheets**



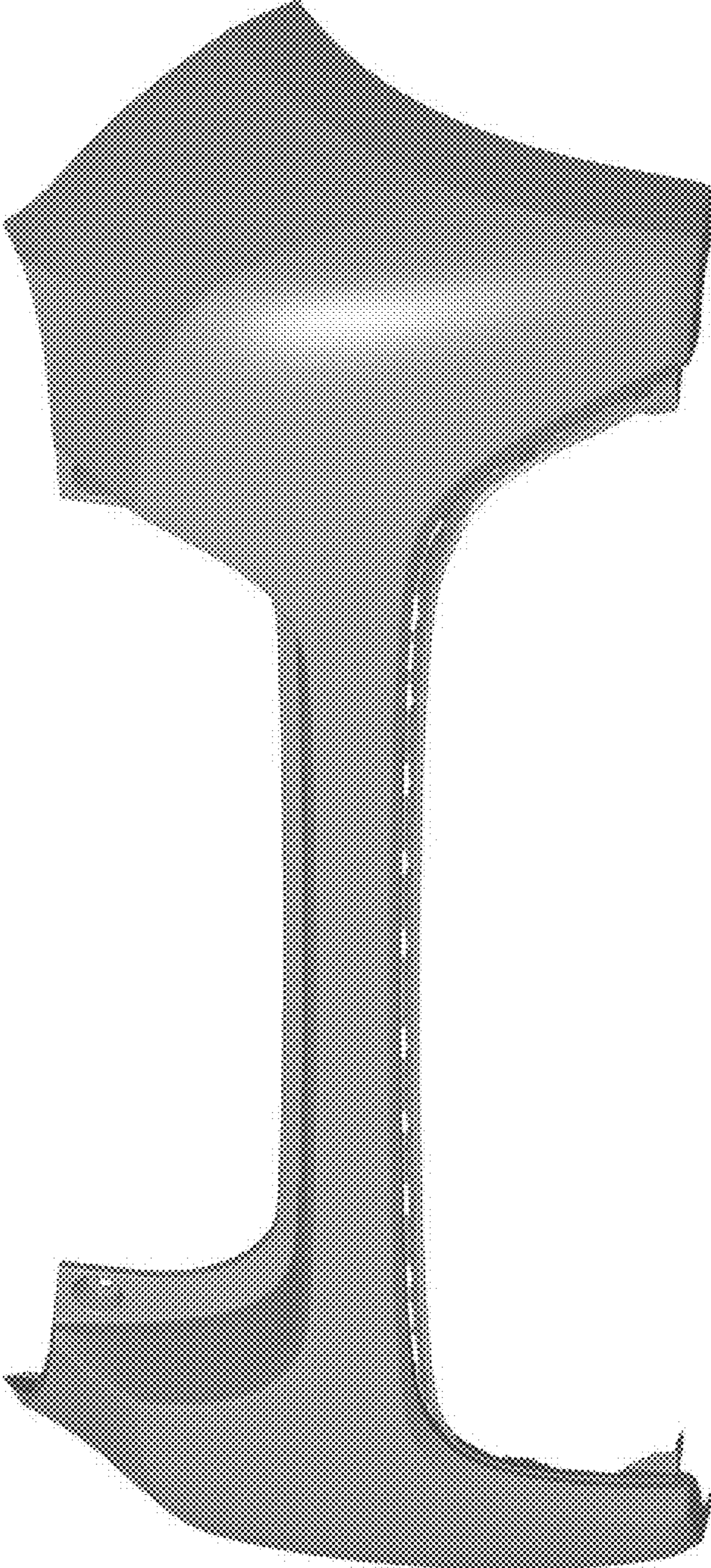


FIG. 1

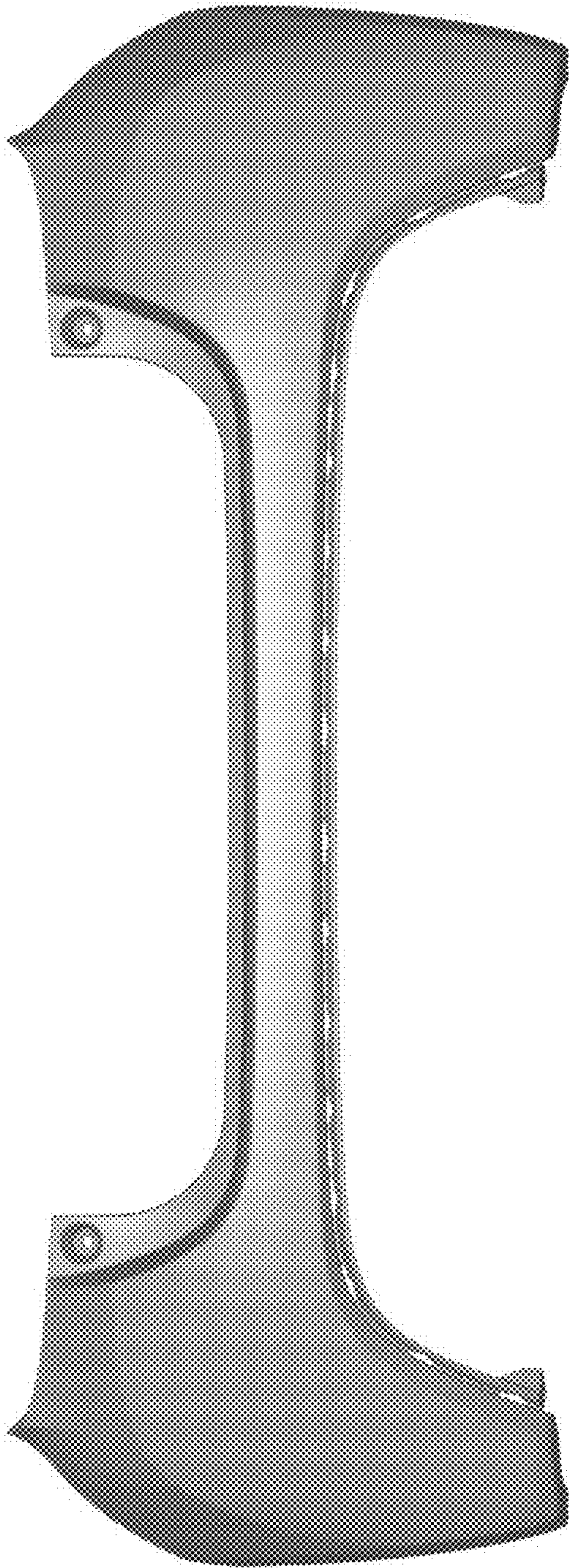


FIG. 2

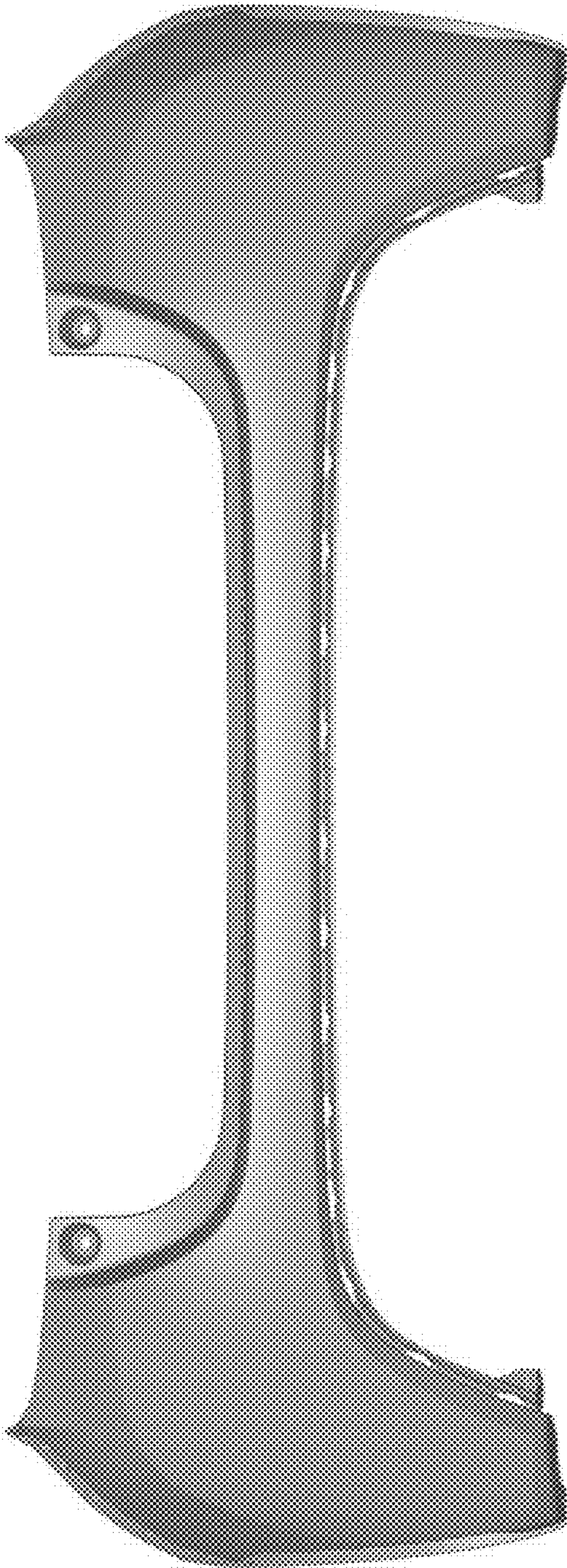


FIG. 3

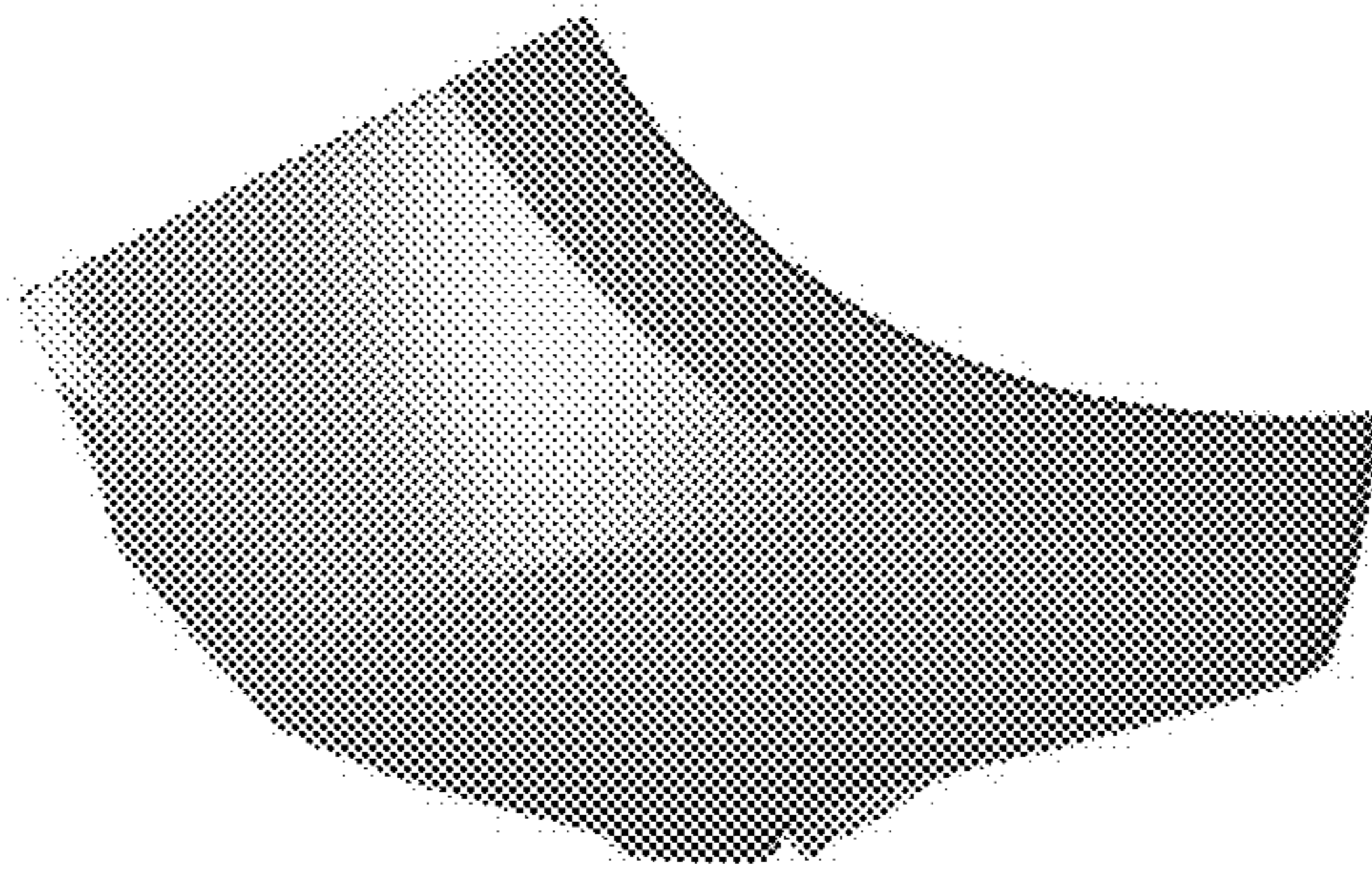


FIG. 4

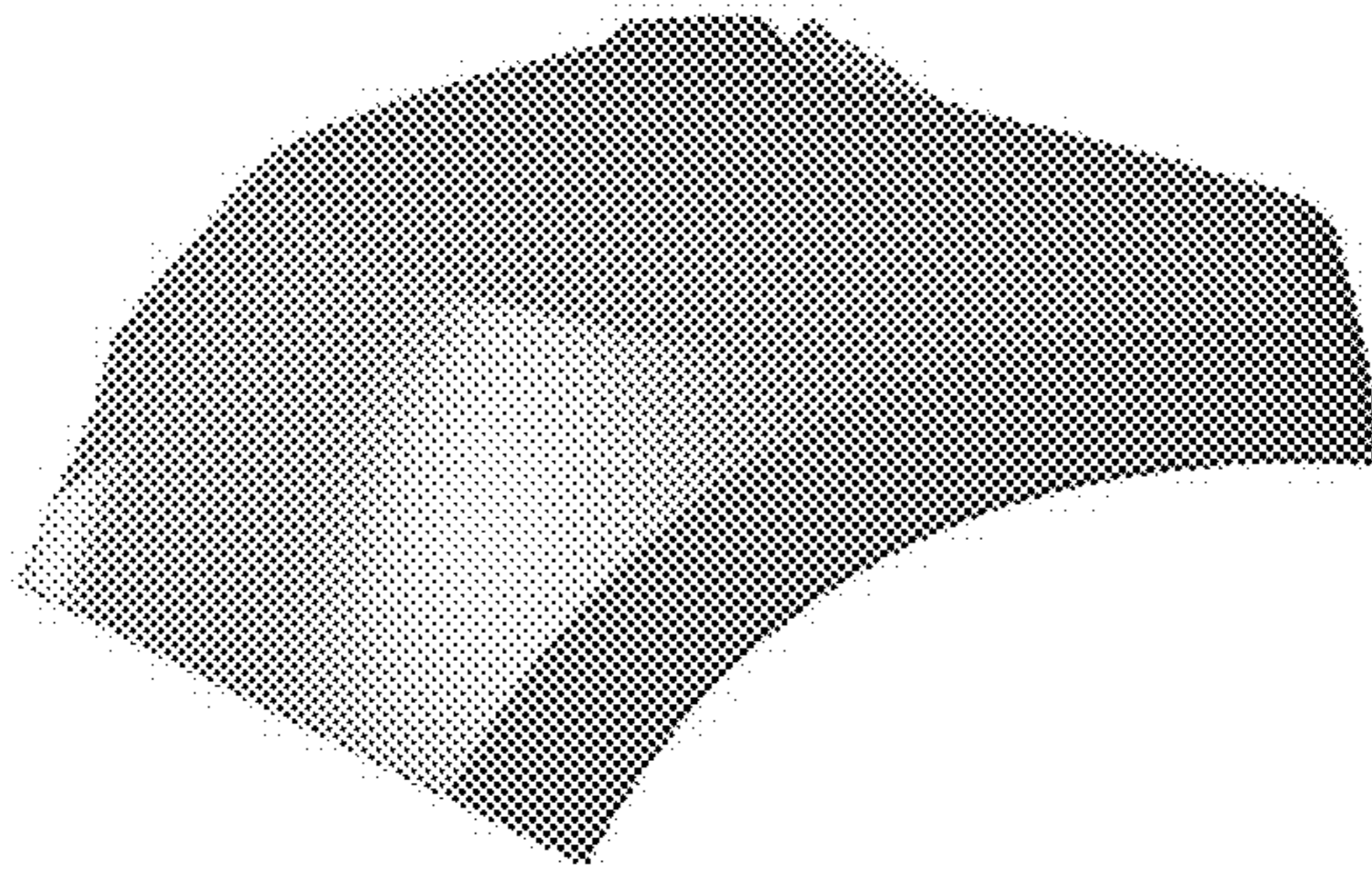


FIG. 5

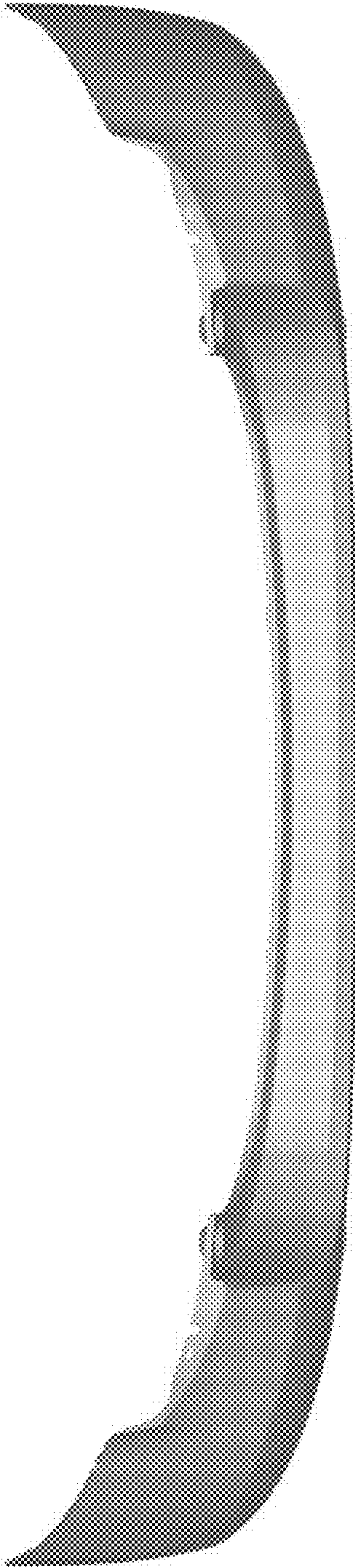


FIG. 6



FIG. 7