



US00D920176S

(12) **United States Design Patent** (10) **Patent No.:** **US D920,176 S**  
**Yang** (45) **Date of Patent:** **\*\* May 25, 2021**

- (54) **GRILLE FOR A VEHICLE**
- (71) Applicants: **Warner Science Applications Corp.**, Ontario, CA (US); **Paramount Automotive Restyling Inc.**, Ontario, CA (US)
- (72) Inventor: **Mingfa Yang**, Calabasas, CA (US)
- (73) Assignees: **Warner Science Applications Corp.**, Ontario, CA (US); **Paramount Automotive Restyling Inc.**, Ontario, CA (US)

- D451,432 S 12/2001 Leutz
- 6,328,358 B1 12/2001 Berweiler
- D472,191 S 3/2003 Yamaguchi et al.
- D496,890 S 10/2004 Metros et al.
- D509,466 S 9/2005 Marchese et al.
- D510,303 S 10/2005 Spagnola
- D514,480 S 2/2006 Yamaji et al.
- D526,605 S 8/2006 Chung
- D527,319 S 8/2006 Yakushi
- D533,119 S 12/2006 Schiavone et al.
- D535,223 S 1/2007 Gaffka
- D540,714 S 4/2007 Mueller-Stolz
- D541,711 S 5/2007 Golden et al.

(Continued)

- (\*\*) Term: **15 Years**
- (21) Appl. No.: **29/673,544**
- (22) Filed: **Dec. 14, 2018**

**Related U.S. Application Data**

- (62) Division of application No. 29/602,711, filed on May 2, 2017, now Pat. No. Des. 836,042.
- (51) **LOC (13) Cl.** ..... **12-16**
- (52) **U.S. Cl.**  
USPC ..... **D12/163**
- (58) **Field of Classification Search**  
USPC ..... D12/163, 169, 196, 86, 90-92, 88  
CPC ..... B62D 25/08; B60R 19/05; B60K 11/08  
See application file for complete search history.

**References Cited**

**U.S. PATENT DOCUMENTS**

- 2,854,104 A \* 9/1958 Marcy, Jr. .... B21D 47/005  
52/666
- D249,677 S 9/1978 Cline
- D259,873 S 7/1981 Milner
- D380,722 S 7/1997 Burton et al.
- D380,723 S 7/1997 Burton et al.
- D425,834 S 5/2000 Sousamian

**OTHER PUBLICATIONS**

V8toy. "2016 SE Build with OEM Raptor grill." Ford F150 Forum, published Sep. 26, 2016 (Retrieved from the Internet Mar. 18, 2020). Internet URL: <<https://www.f150forum.com/f78/2016-se-build-oem-raptor-grill-359324/#>> (Year: 2016).\*

(Continued)

*Primary Examiner* — Rachel A. Voorhies  
(74) *Attorney, Agent, or Firm* — Chen Yoshimura LLP

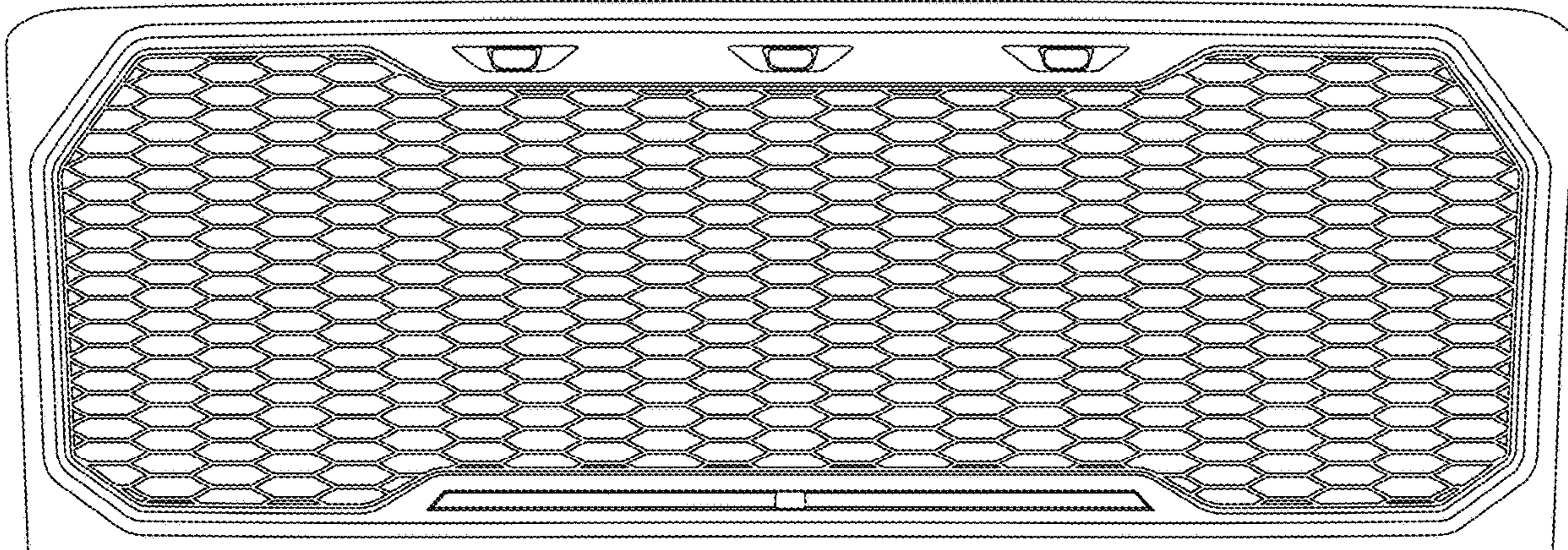
(57) **CLAIM**

The ornamental design for a grille for a vehicle, as shown and described.

**DESCRIPTION**

FIG. 1 is a front, bottom and right side perspective view of a grille showing an embodiment of my new design; FIG. 2 is a front elevational view thereof; FIG. 3 is a left side elevational view thereof; FIG. 4 is a right side elevational view thereof; and, FIG. 5 is a top plan view thereof. The broken lines showing mounting features for the grille are included for the purpose of illustrating environmental structures, and form no part of the claimed design.

**1 Claim, 5 Drawing Sheets**



(56)

References Cited

U.S. PATENT DOCUMENTS

D551,145 S 9/2007 Canitano  
D591,651 S 5/2009 Shelby  
D629,720 S 12/2010 Manzoni  
D645,790 S 9/2011 Vardis et al.  
D678,140 S 3/2013 Hamilton et al.  
D690,620 S 10/2013 Scheinhuetten et al.  
D698,705 S 2/2014 Rupar  
D704,102 S 5/2014 Nurnberger  
D712,316 S 9/2014 O'Donnell et al.  
D713,765 S 9/2014 Peltola et al.  
D718,196 S 11/2014 Whang et al.  
D724,493 S 3/2015 Kobayashi  
D726,598 S 4/2015 Rupar et al.  
D730,785 S 6/2015 Hammoud et al.  
D731,928 S 6/2015 Manzoni  
D746,186 S 12/2015 Curic et al.  
D758,926 S 6/2016 Rupar  
D758,928 S 6/2016 Messale et al.  
D769,159 S \* 10/2016 Platto ..... D12/163  
D769,160 S \* 10/2016 Platto ..... D12/163  
D771,527 S 11/2016 Messale et al.  
D773,347 S 12/2016 Whang  
D773,963 S 12/2016 Battams  
D774,998 S 12/2016 Munakata et al.  
D775,554 S 1/2017 Kapitonov  
D777,065 S 1/2017 Patel et al.  
D782,367 S 3/2017 Donckerwolke et al.  
D783,466 S 4/2017 Svensson et al.  
D783,467 S 4/2017 Svensson  
D787,384 S 5/2017 Ito et al.  
D790,410 S 6/2017 Ito et al.  
D790,412 S 6/2017 Dunford et al.  
D792,810 S 7/2017 Kim et al.  
D795,760 S 8/2017 Kozub et al.  
D795,765 S 8/2017 Rolfs et al.  
D796,390 S 9/2017 Pevovar et al.  
D803,109 S 11/2017 Carter  
D805,005 S 12/2017 Tomita  
D807,242 S 1/2018 Piscitelli et al.  
D811,954 S 3/2018 Park  
D812,525 S 3/2018 Lee  
D813,097 S 3/2018 Szavits  
D813,736 S 3/2018 Jevremovic et al.  
D813,737 S 3/2018 Beermann  
D814,981 S 4/2018 Villamizar  
D814,982 S 4/2018 Whitla et al.  
D815,003 S 4/2018 Macneil et al.  
D817,815 S 5/2018 Hubers et al.  
D818,895 S 5/2018 Lee  
D819,506 S 6/2018 Han  
D822,549 S 7/2018 Platto et al.  
D823,737 S \* 7/2018 Chang ..... D12/163  
D836,042 S 12/2018 Yang  
D837,106 S 1/2019 Yang  
D837,107 S 1/2019 Yang  
D837,108 S 1/2019 Yang  
10,183,573 B1 \* 1/2019 Klop ..... B60K 11/08  
D840,880 S 2/2019 Beaven  
D844,495 S 4/2019 Ash et al.  
D861,547 S \* 10/2019 Frascella ..... D12/163  
D872,659 S \* 1/2020 Yang ..... D12/163  
D873,184 S \* 1/2020 Yang ..... D12/163  
D873,716 S \* 1/2020 Badstuebner ..... D12/91  
D874,344 S \* 2/2020 Ham ..... D12/92  
D874,359 S \* 2/2020 Karras ..... D12/163  
D874,363 S \* 2/2020 Patel ..... D12/169  
2004/0124670 A1 7/2004 Tate

2005/0006928 A1 1/2005 Diehl  
2015/0090510 A1 4/2015 Yoshino et al.  
2015/0091328 A1 4/2015 Pugh-Jones et al.  
2018/0009500 A1 1/2018 Lovold et al.  
2018/0178677 A1 6/2018 Swain et al.  
2019/0375289 A1 \* 12/2019 Jaldelid ..... B60R 19/52

OTHER PUBLICATIONS

EddieDriven. "Be Careful . . . What grille to buy?" YouTube, published Aug. 7, 2017 (Retrieved from the Internet Feb. 19, 2020). Internet URL: <<https://www.youtube.com/watch?v=4pNWXpNDBPA>> (Year: 2017).\*

AmericanMuscle. "F150 Barricade Raptor Style Grille w/ LED Lighting Review & Install 2015-2017." YouTube, published Jan. 16, 2017 (Retrieved from the Internet Mar. 18, 2020). Internet URL: <<https://www.youtube.com/watch?v=dmddqNw6p40>> (Year: 2017).\*

CJ Off-Road. "Dodge Ram gets a functional face-lift: Full Mesh ABS Main Upper Grille w/LED Accents Install 13-2018." YouTube, published Jun. 5, 2018 (Retrieved from the Internet Feb. 19, 2020). Internet URL: <<https://www.youtube.com/watch?v=UKMdaMXkflg1/>> (Year: 2018).\*

Carid. "Dress up your Ford truck with Paramount Raptor-Style grille at CARiD!" SuperDutyDiesel.com, published Aug. 18, 2016 (Retrieved from the Internet Jun. 18, 2020). Internet URL: <<https://www.superdutydiesel.com/threads/dress-up-your-ford-truck-with-paramount-raptor-style-grille-at-carid-.31253/>> (Year: 2016).

Kdgcng. "EAG raptor conversion replacement grille." Toyota Tundra Forum, published Jul. 28, 2017-Oct. 31, 2018 (Retrieved from the Internet Jun. 1, 2020). Internet URL: <<https://www.tundras.com/threads/eag-raptor-conversion-replacement-grille.15083/>> (Year: 2017).

Gremlin85. "Paramount Grille—No Ford Letters." F150 EcoBoost Forum, published Dec. 28, 2017 (Retrieved from the Internet Jun. 1, 2020). Internet URL: <<https://www.f150ecoboost.net/threads/paramount-grille-no-ford-letters.59626/>> (Year: 2017).

Amped45. "Re: Sierra Grille." Sierra Grille: Exterior, published Oct. 13, 2017 (Retrieved from the Internet Mar. 1, 2020). Internet URL: <<https://www.silveradosierra.com/exterior/sierra-grille-t651849.html>> (Year: 2017).

"Raptor grille on an 99-05 250?" Ford Truck Enthusiasts Forums, published Nov. 2017 (Retrieved from the Internet Jun. 1, 2020). Internet URL: <<https://www.ford-trucks.com/forums/1515799-raptor-grille-on-an-99-05-250-a.html>> (Year: 2017).

"EAG Replacement Upper Grille ABS Front Grille with Amber LED Lights—Charcoal Gray—Fit for 15-19 Chevy Silverado . . ." Amazon .com, published Nov. 21, 2017 (Retrieved from the Internet Jun. 2, 2020). Internet URL: <[https://www.amazon.com/EAG-Silverado-Replacement-Grille-Lights/dp/B077M\\_L6CM7/](https://www.amazon.com/EAG-Silverado-Replacement-Grille-Lights/dp/B077M_L6CM7/)> (Year: 2017).

Matthewson, Maxwell. "2014 GMC Sierra T-Rex Torch Series Front Grille Install." Truck Trend, published Mar. 25, 2014 (Retrieved from the Internet Jan. 13, 2021). Internet URL: <[www.trucktrend.com/cool-trucks/1506-2014-gmc-sierra-slt](http://www.trucktrend.com/cool-trucks/1506-2014-gmc-sierra-slt)> (Year: 2014).

"Paramount 41-0161 Raptor Style Grille." Xtreme Diesel, published Feb. 11, 2016 (Retrieved from the Internet Jan. 13, 2021). Internet URL: <<https://www.xtremediesel.com/paramount-41/0161-raptor-style-grille>> (Year: 2016).

Admin. "2017 Kia Sorento L." All Car Brands, published Apr. 23, 2017 (Retrieved from the Internet Jan. 13, 2021). Internet URL: <<http://carstoantap.com/2017-kia-sorento-l/>> (Year: 2017).

AmericanMuscle.com. "2009-2014 F-150 Barricade Raptor Style Grille w/ LED Lighting Review & Install." YouTube, published Aug. 10, 2016 (Retrieved from the Internet Feb. 16, 2021). Internet URL: <<https://www.youtube.com/watch?v=E0jD6T9Bqpk>> (Year: 2016).

\* cited by examiner

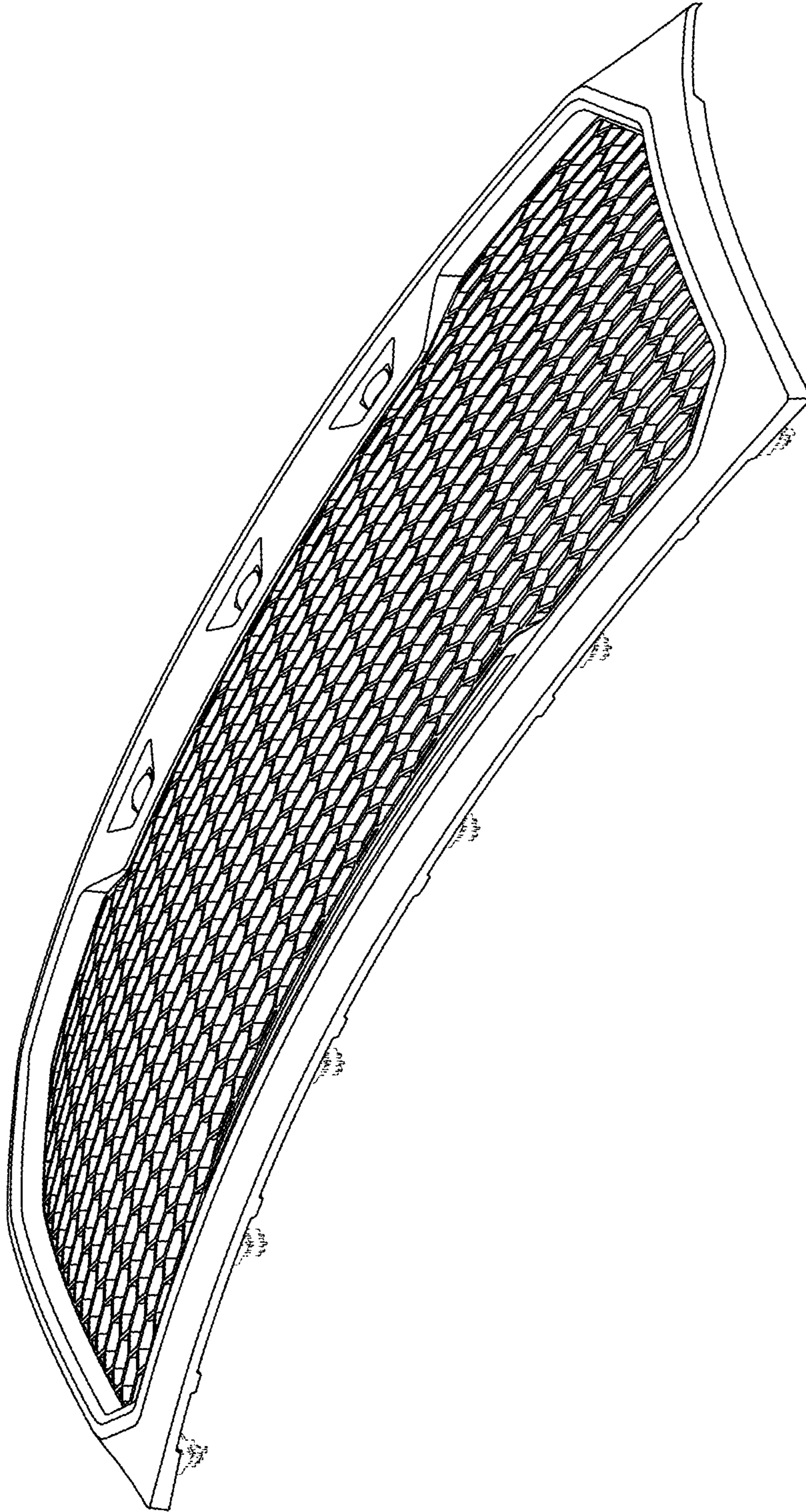


FIG. 1

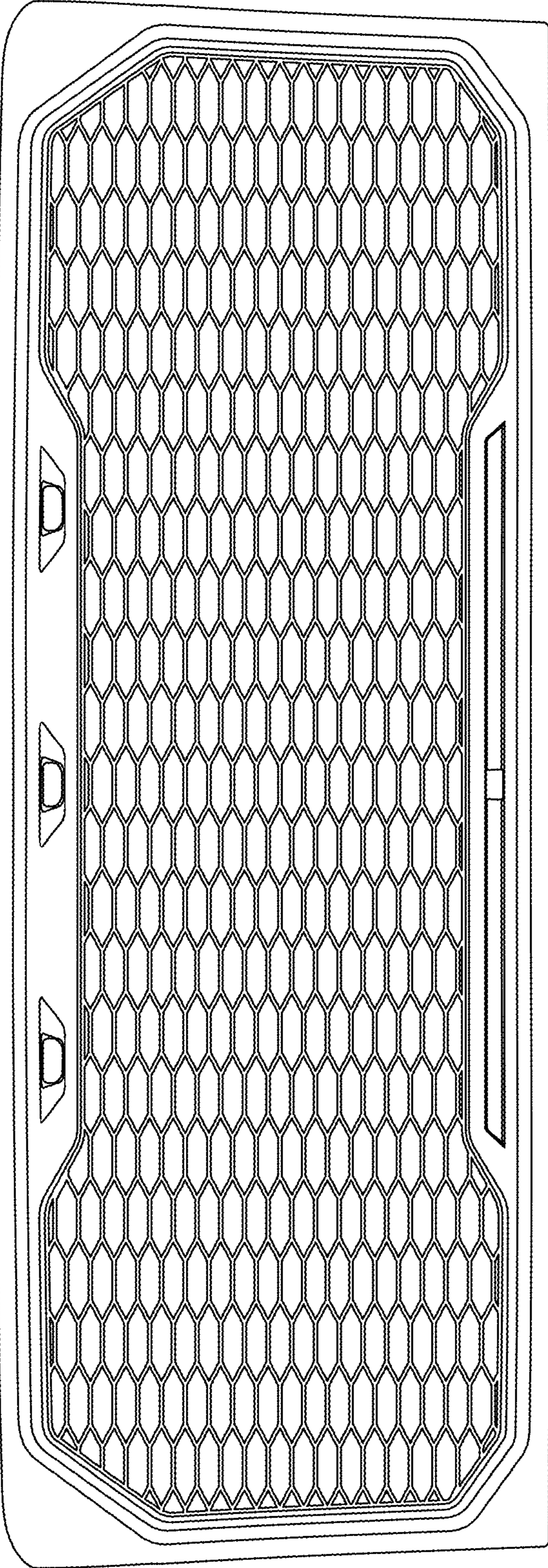


FIG. 2

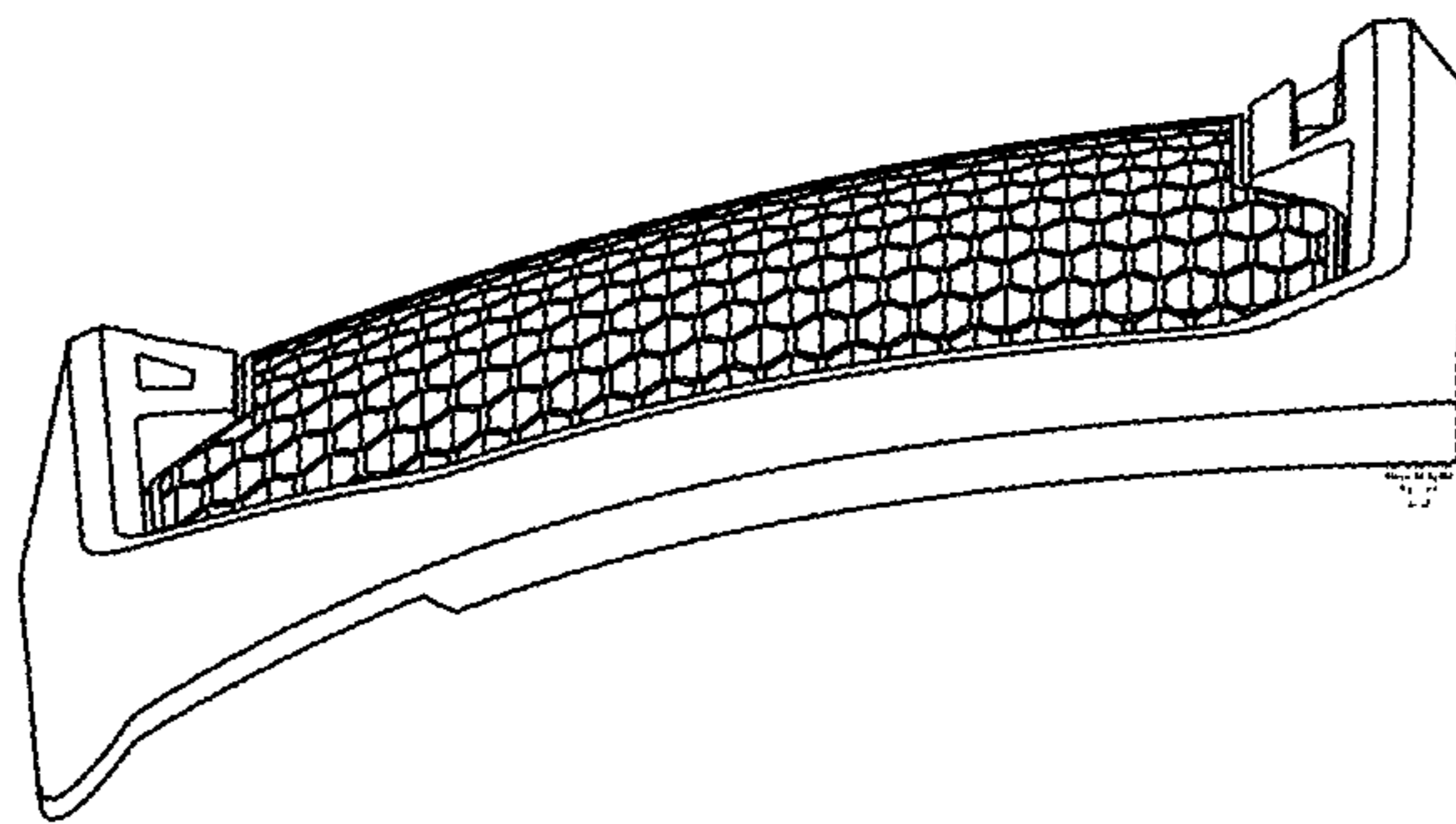


FIG. 3

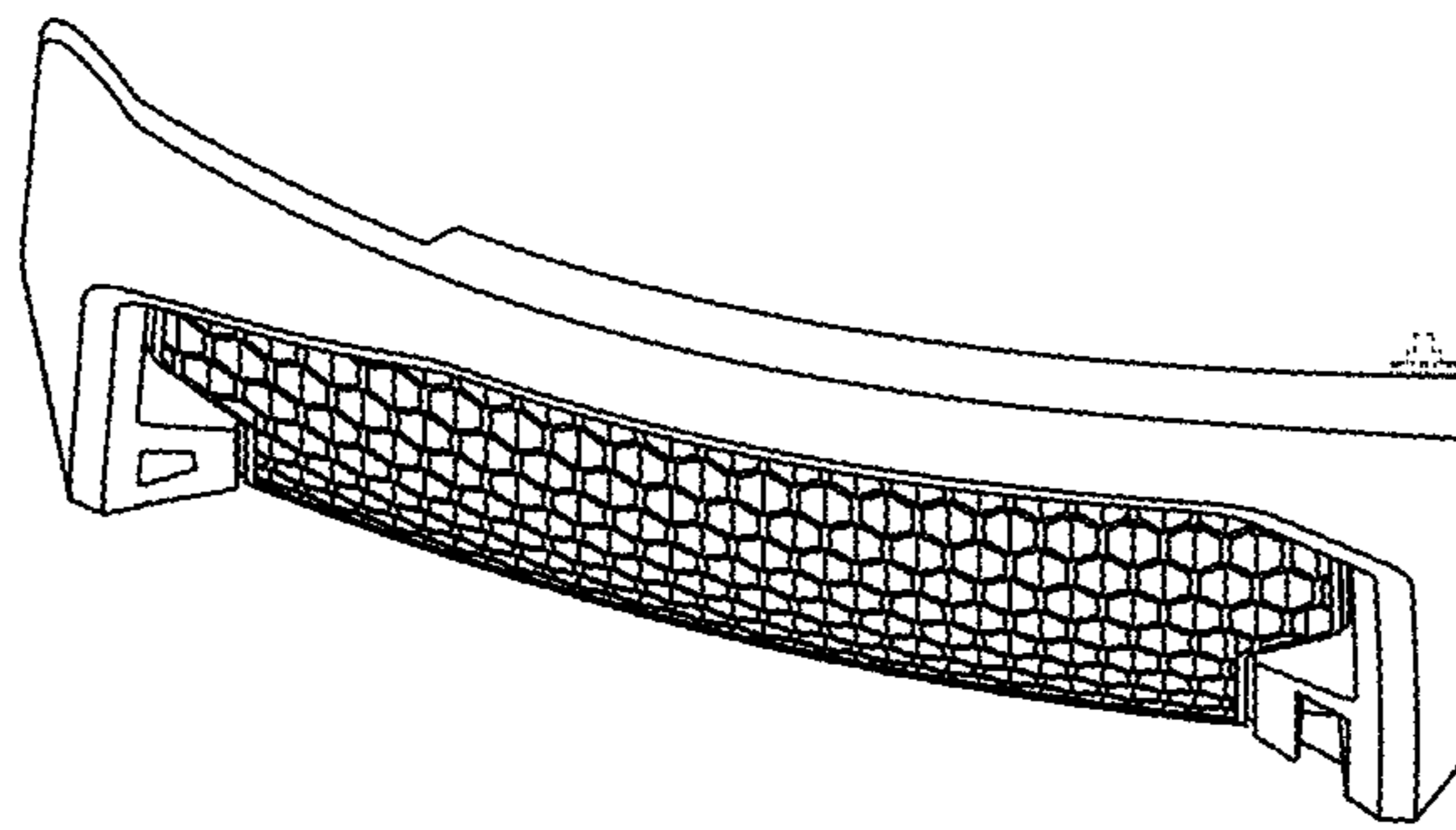


FIG. 4

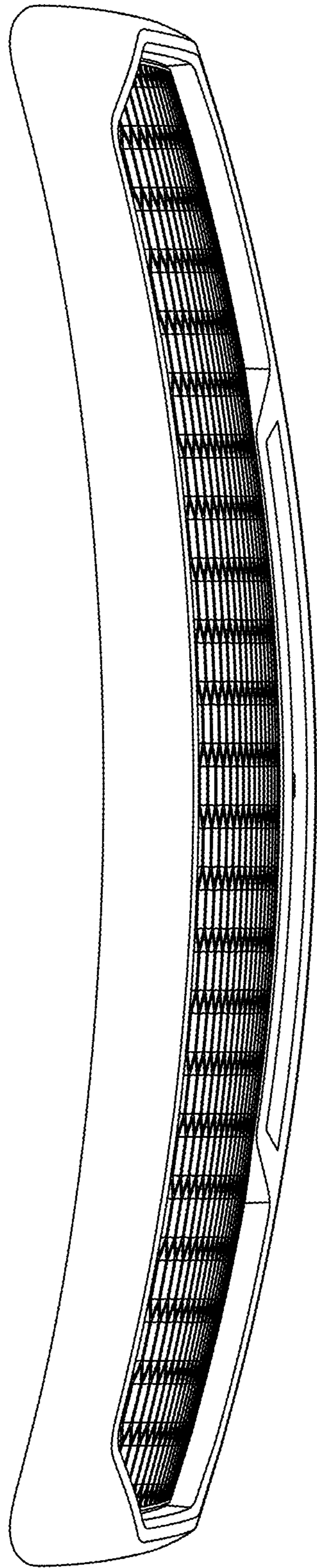


FIG. 5