



US00D920173S

(12) **United States Design Patent** (10) **Patent No.:** **US D920,173 S**  
**Avery et al.** (45) **Date of Patent:** **\*\* May 25, 2021**

(54) **COVER PANEL FOR BIKE**

(56) **References Cited**

(71) Applicant: **JJC Imports, LLC**, West Hollywood, CA (US)  
  
(72) Inventors: **Jason Avery**, Los Angeles, CA (US); **Stephen Chen**, Los Angeles, CA (US); **Tyler Do**, Burbank, CA (US); **Amelia Helmick**, West Hollywood, CA (US); **Jeffrey Kelsoe**, West Hollywood, CA (US); **Sean Lim**, Los Angeles, CA (US); **Paul Van Wieren**, Los Angeles, CA (US); **Andrew Wilson**, Calabasas, CA (US); **Andrew Reuter**, La Crosse, WI (US); **Diego Meneses**, Shenzhen (CN); **Jonathan Viner**, West Hollywood, CA (US); **Joshua Viner**, West Hollywood, CA (US); **Matthew Alfin**, West Hollywood, CA (US); **Zachary Rapoport**, Northridge, CA (US); **Samuel Ach**, Portland, OR (US)

U.S. PATENT DOCUMENTS

D306,567 S *	3/1990	Parker	.....	D12/114
D346,139 S *	4/1994	Gailey	.....	D12/110
D352,683 S *	11/1994	Miller	.....	D12/126
D370,457 S *	6/1996	Dietz	.....	D12/402
D375,282 S *	11/1996	Lee	.....	D12/111
D376,123 S *	12/1996	Camfield	.....	D12/111
D418,100 S *	12/1999	Sacco	.....	D12/196
D768,544 S *	10/2016	Wen	.....	D12/114

(Continued)

OTHER PUBLICATIONS

“Side cover SMART” Body Bike., posted date Dec. 20, 2017 [online], [retrieved on Jan. 12, 2021], Retrieved from the Internet <URL: <https://body-bike.com/product/side-cover-smart/>> (Year: 2017).\*

(Continued)

*Primary Examiner* — Darlington Ly  
*Assistant Examiner* — Nasim Abdulaziz Ali  
(74) *Attorney, Agent, or Firm* — Schwegman Lundberg & Woessner, P.A.

(73) Assignee: **JJC IMPORTS, LLC**, West Hollywood, CA (US)

(57) **CLAIM**

The ornamental design for a cover panel for bike, as shown and described.

(\*\*) Term: **15 Years**

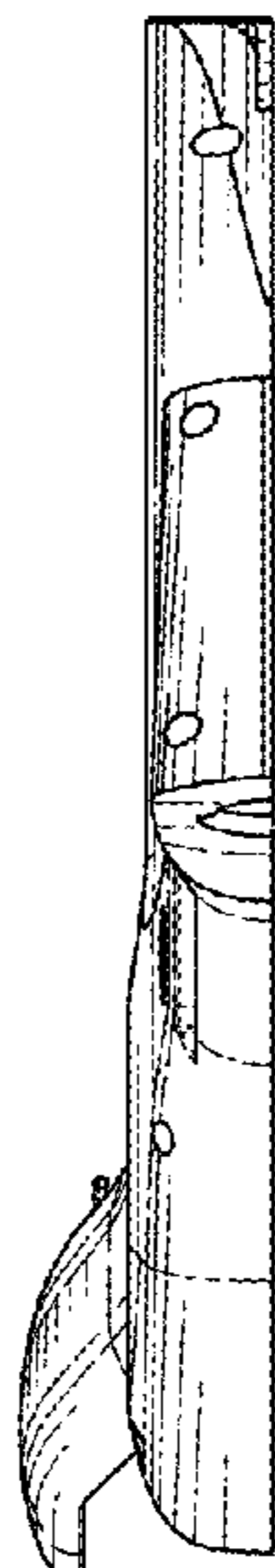
**DESCRIPTION**

(21) Appl. No.: **29/716,189**  
(22) Filed: **Dec. 6, 2019**  
(51) **LOC (13) Cl.** ..... **12-11**  
(52) **U.S. Cl.**  
USPC ..... **D12/117**  
(58) **Field of Classification Search**  
USPC ..... D12/110, 114, 117, 158; 80/219  
CPC . B62K 3/00; B62K 3/005; B62K 9/00; B62K 19/00; B62K 19/02; B62K 19/04; B62K 19/06; B62K 19/16

FIG. 1 is a front elevation view of a cover panel for bike embodying our new design;  
FIG. 2 is a rear elevation view thereof;  
FIG. 3 is a left side elevation view thereof;  
FIG. 4 is a right side elevation view thereof;  
FIG. 5 is a top plan view thereof;  
FIG. 6 is a bottom plan view thereof;  
FIG. 7 is a top-front-left perspective view thereof.  
FIG. 8 is a bottom-front-right perspective view thereof.  
FIG. 9 is a bottom-rear-right perspective view thereof; and,  
FIG. 10 is a top-rear-left perspective view thereof.

See application file for complete search history.

**1 Claim, 7 Drawing Sheets**



(56)

**References Cited**

U.S. PATENT DOCUMENTS

D862,362 S \* 10/2019 Doan ..... D12/402  
D901,349 S \* 11/2020 Ninov ..... D12/196

OTHER PUBLICATIONS

“HDBUBALUS Motorcycle Left Right Side Frame Panel Guard Protector Cover” HDBUBALUS., posted date Dec. 10, 2017 [online], [retrieved on Jan. 12, 2021], Retrieved from the Internet <URL: <https://tinyurl.com/yyz93eg7>> (Year: 2017).\*

“2 Pieces ABS Motorcycle Frame Guard Cover Protector Frame” Jollychic., posted date unknown [online], [retrieved on Jan. 12, 2021], Retrieved from the Internet <URL: <https://tinyurl.com/y6t8pkft>> (Year: 2020).\*

\* cited by examiner

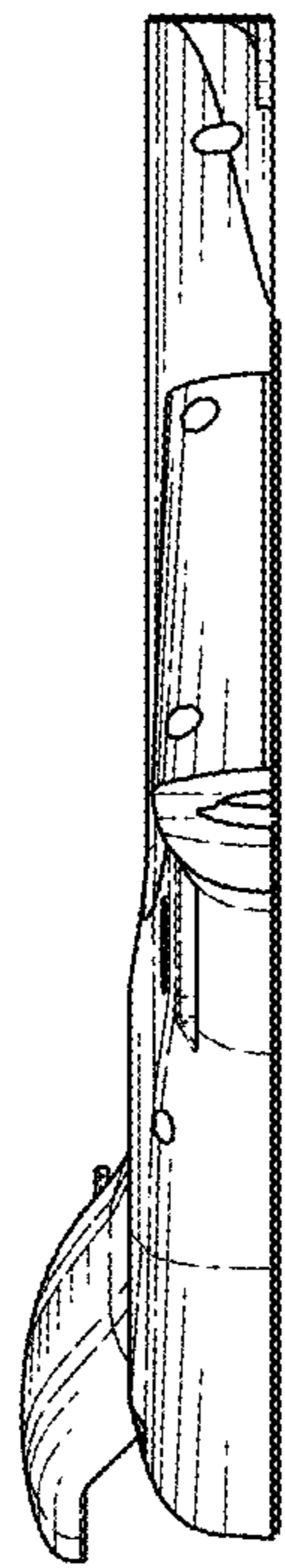


FIG. 1

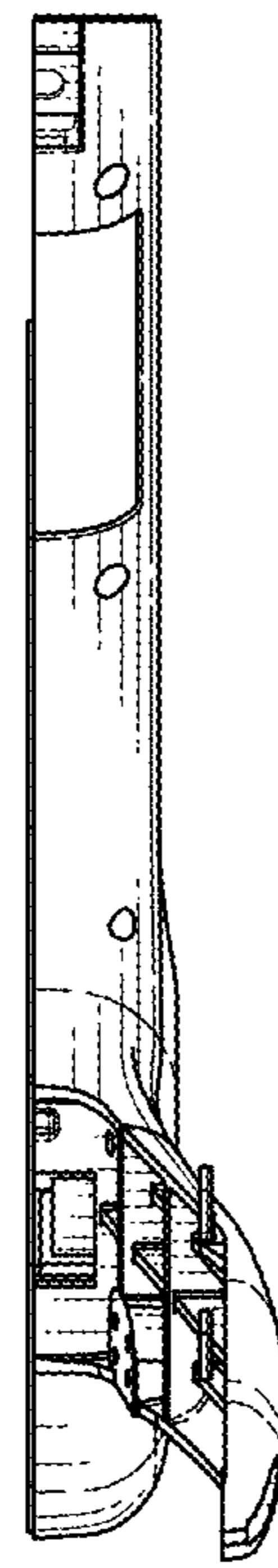


FIG. 2

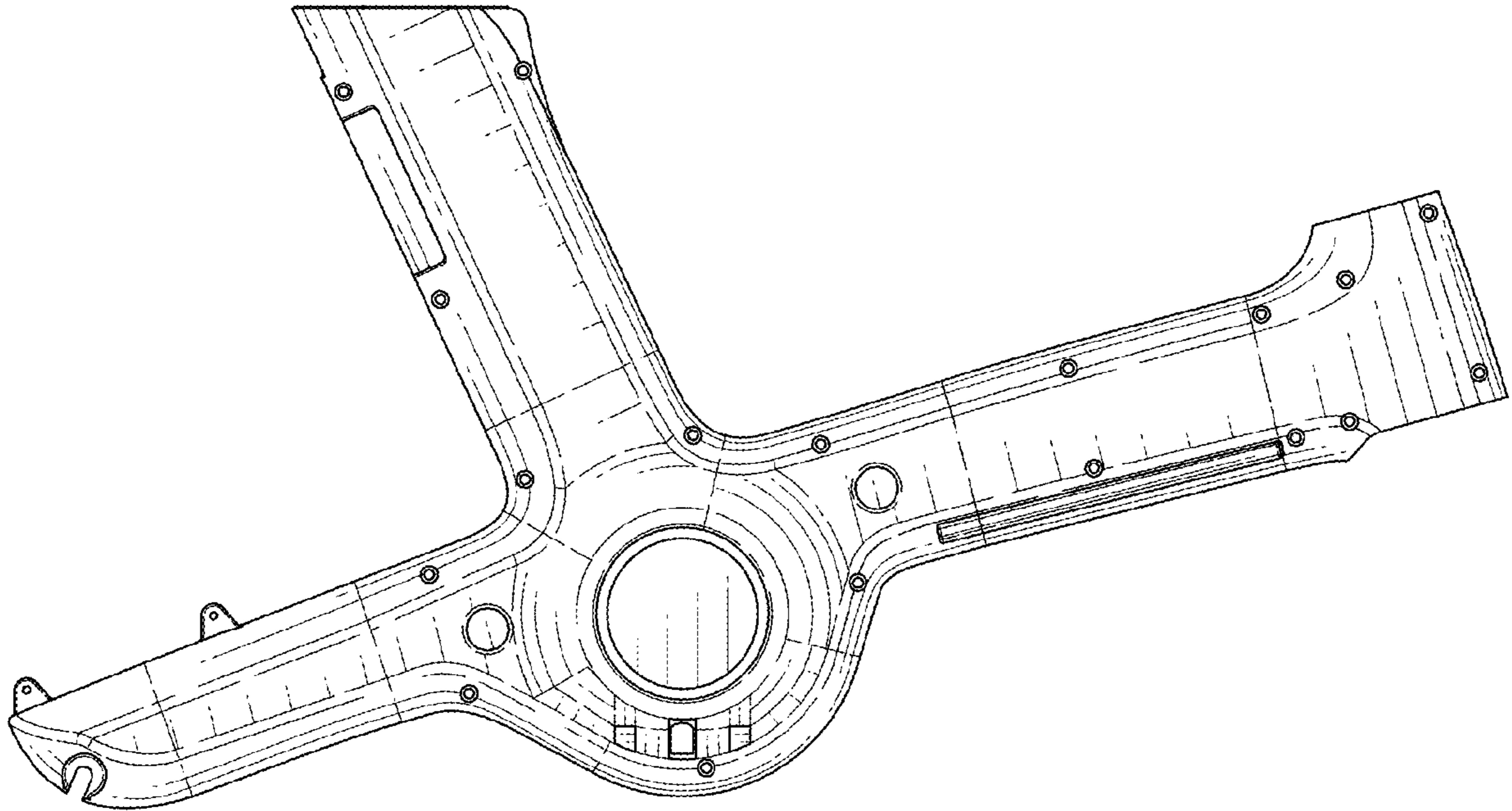


FIG. 3

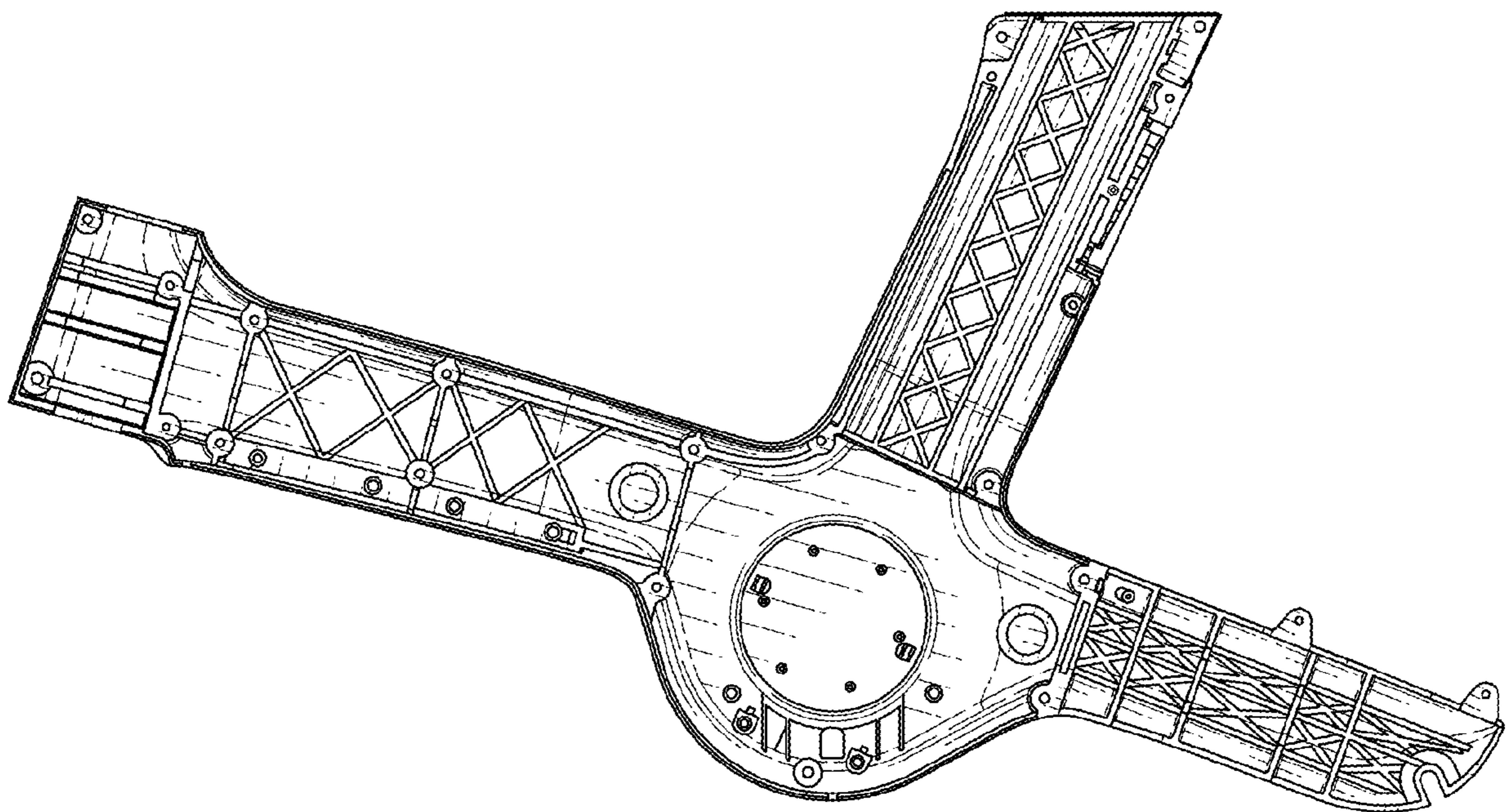


FIG. 4

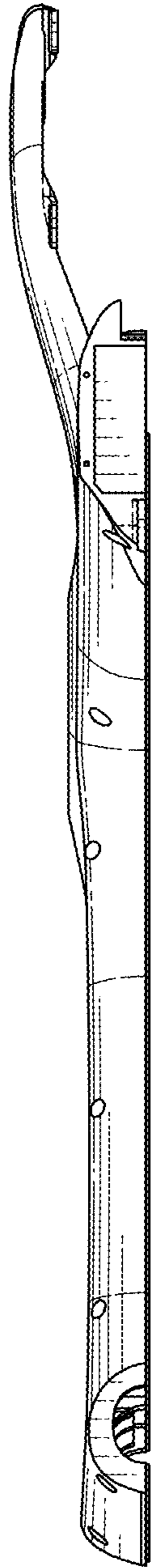


FIG. 5



FIG. 6

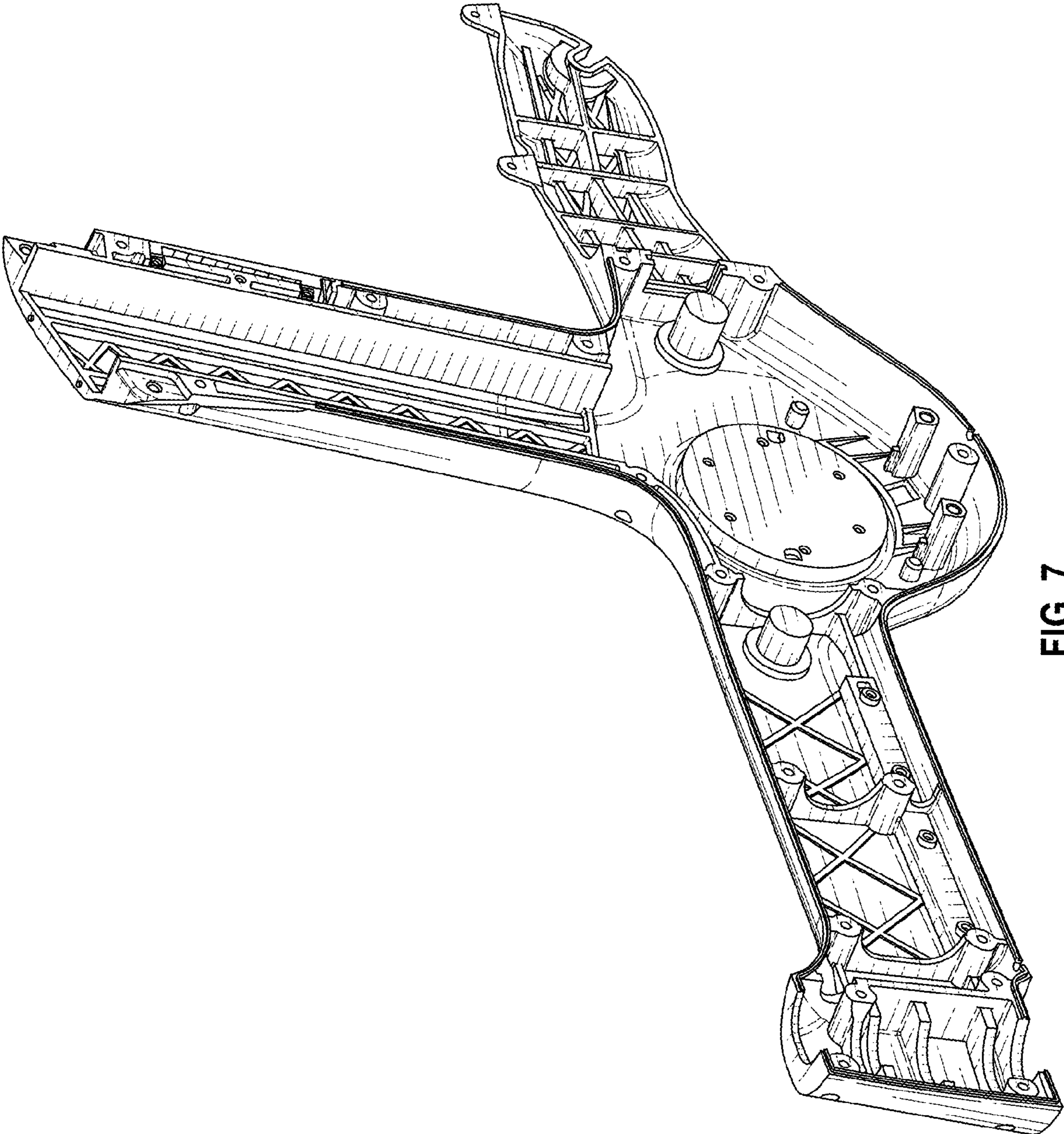


FIG. 7

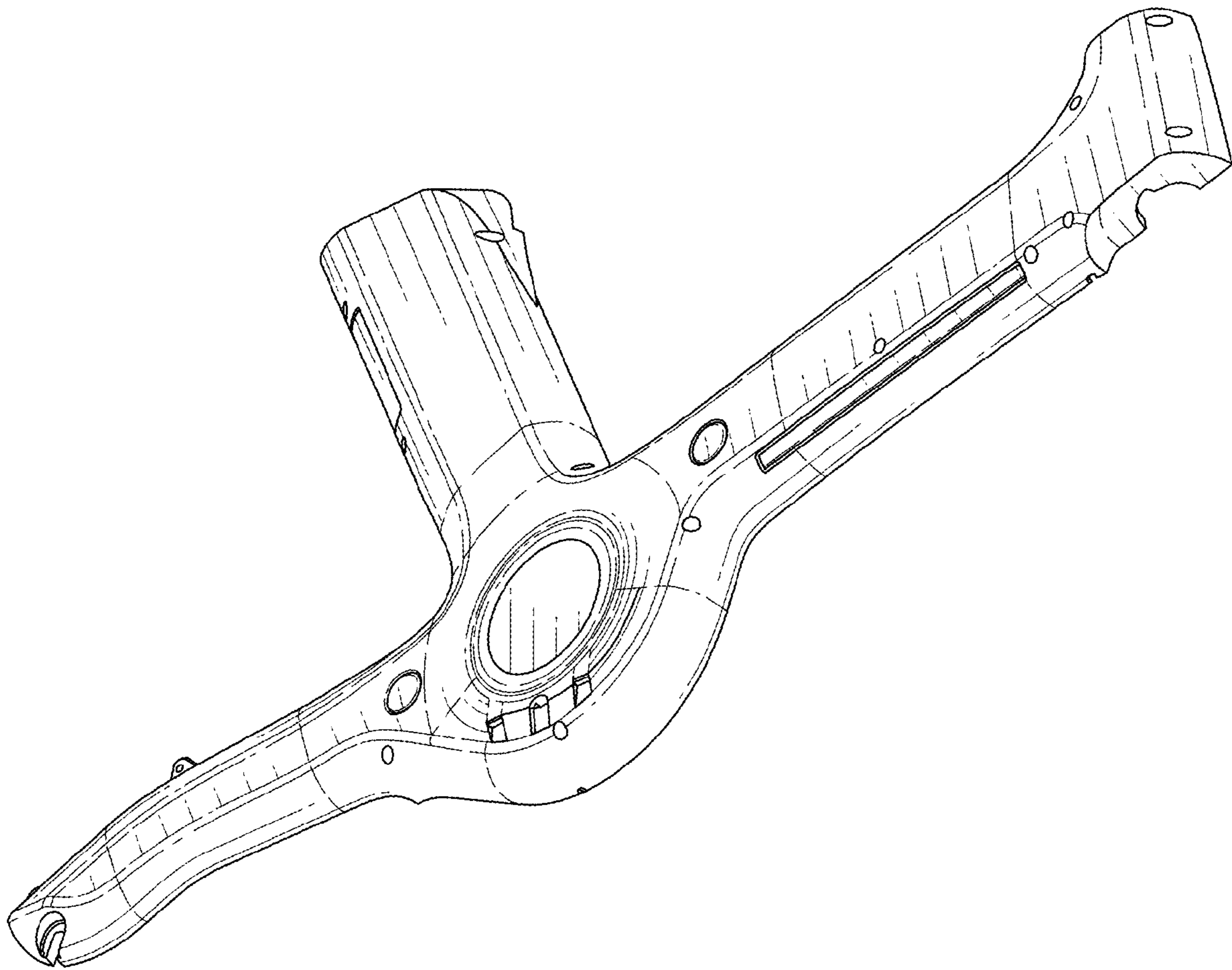


FIG. 8

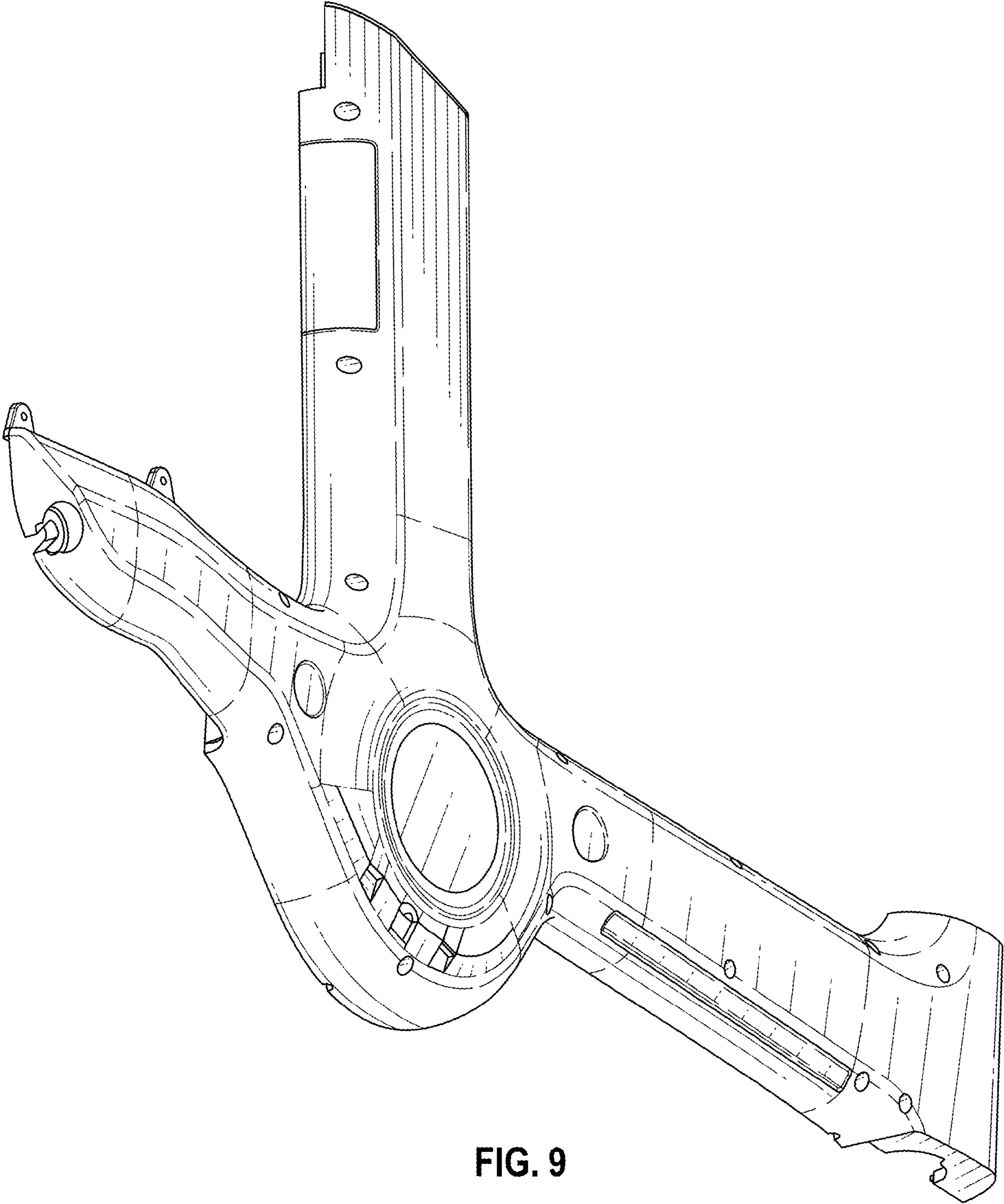


FIG. 9



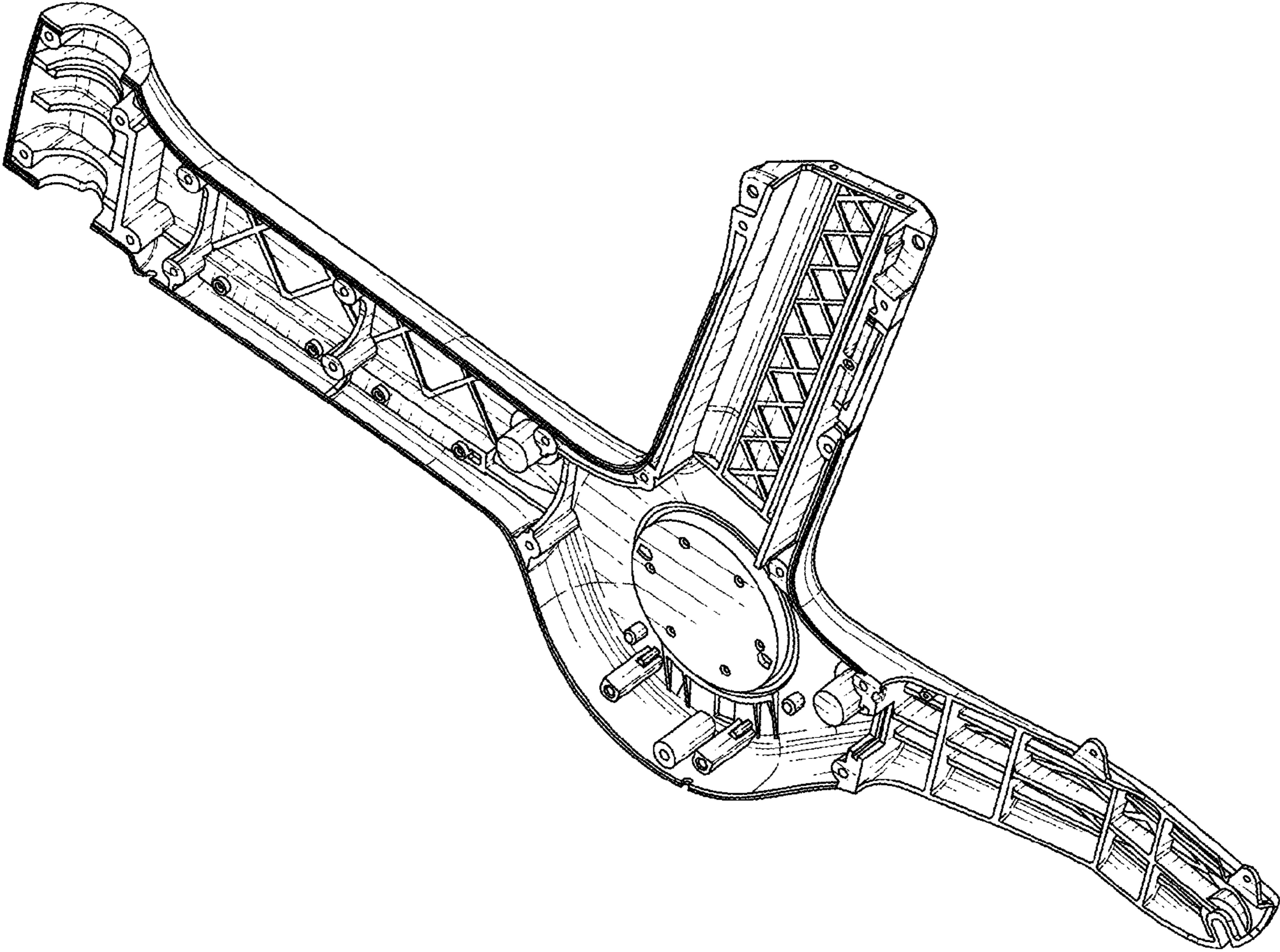


FIG. 10