

US00D920171S

(12) **United States Design Patent** (10) **Patent No.:** **US D920,171 S**  
**Ichikawa** (45) **Date of Patent:** **\*\* May 25, 2021**

- (54) **BICYCLE VALVE ADAPTOR**
- (71) Applicant: **BIB Creative Co., Ltd.**, Xiushui Township (TW)
- (72) Inventor: **Tomonari Ichikawa**, Xiushui Township (TW)
- (73) Assignee: **BIB Creative Co., Ltd.**, Xiushui Township (TW)
- (\*\*) Term: **15 Years**
- (21) Appl. No.: **29/674,878**
- (22) Filed: **Dec. 27, 2018**
- (51) **LOC (13) Cl.** ..... **12-11**
- (52) **U.S. Cl.**  
USPC ..... **D12/114**
- (58) **Field of Classification Search**  
USPC ..... D12/114, 604, 606, 607; D23/233, 235, D23/236, 237, 259; D24/129; D8/387  
CPC ..... F16K 15/20; B60C 23/0496; B60C 29/06; B60C 29/02; B60C 29/005  
See application file for complete search history.

D496,627 S *	9/2004	Nikolayev	.....	D12/606
D624,010 S *	9/2010	Tournier	.....	D12/606
D638,915 S *	5/2011	Cardno	.....	D23/233
D708,706 S *	7/2014	Pridham	.....	D23/233
D713,512 S *	9/2014	Luke	.....	D23/262
D713,943 S *	9/2014	Luke	.....	D23/262
D713,944 S *	9/2014	Luke	.....	D23/262
D724,699 S *	3/2015	Wyne	.....	D23/259
D739,493 S *	9/2015	Wyne	.....	D23/200
D752,720 S *	3/2016	Wyne	.....	D23/259
D787,648 S *	5/2017	Smith	.....	D23/259
D793,850 S *	8/2017	Zhang	.....	D8/387
D812,460 S *	3/2018	Totsu	.....	D8/387
D820,956 S *	6/2018	Ito	.....	D23/235
D851,738 S *	6/2019	Ghorbani	.....	D23/259
D879,250 S *	3/2020	Glaser	.....	D23/233

\* cited by examiner

*Primary Examiner* — Michelle E. Wilson  
*Assistant Examiner* — Clese Moore, Jr.  
(74) *Attorney, Agent, or Firm* — Alan D. Kamrath; Karin L. Williams; Mayer & Williams PC

(57) **CLAIM**

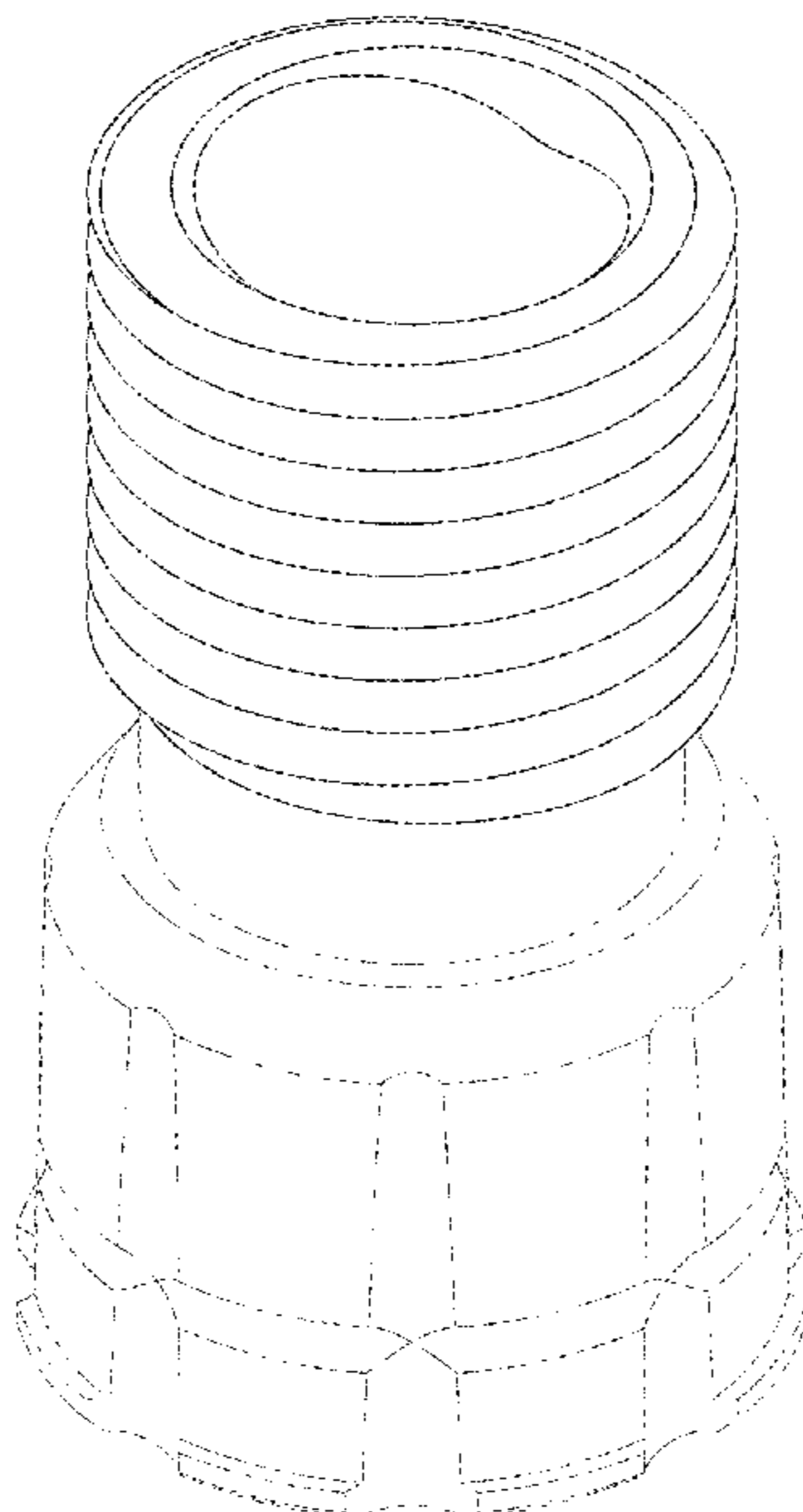
The ornamental design for a bicycle valve adaptor, as shown and described.

**DESCRIPTION**

FIG. 1 is a perspective view of a bicycle valve adaptor, showing my new design;  
FIG. 2 is a front view thereof;  
FIG. 3 is a rear view thereof;  
FIG. 4 is a left side view thereof;  
FIG. 5 is a right side view thereof;  
FIG. 6 is a top view thereof; and,  
FIG. 7 is a bottom view thereof.  
The broken lines in the drawings are for the purpose of illustrating portions of the bicycle valve adaptor that form no part of the claimed design.

**1 Claim, 7 Drawing Sheets**

- (56) **References Cited**  
U.S. PATENT DOCUMENTS
- |              |         |            |       |         |
|--------------|---------|------------|-------|---------|
| D268,924 S * | 5/1983  | Winther    | ..... | D12/606 |
| D304,817 S * | 11/1989 | Earley     | ..... | D12/606 |
| D305,222 S * | 12/1989 | Geib       | ..... | D12/606 |
| D347,465 S * | 5/1994  | Luppino    | ..... | D23/233 |
| D348,922 S * | 7/1994  | Thrasher   | ..... | D23/233 |
| D367,916 S * | 3/1996  | Thomas     | ..... | D23/233 |
| D368,300 S * | 3/1996  | Grenga     | ..... | D23/235 |
| D434,469 S * | 11/2000 | Shaw       | ..... | D23/233 |
| D435,635 S * | 12/2000 | Taneya     | ..... | D23/233 |
| D436,562 S * | 1/2001  | Richardson | ..... | D12/604 |
| D468,806 S * | 1/2003  | Ripkey     | ..... | D23/233 |
| D496,094 S * | 9/2004  | Stevens    | ..... | D23/262 |



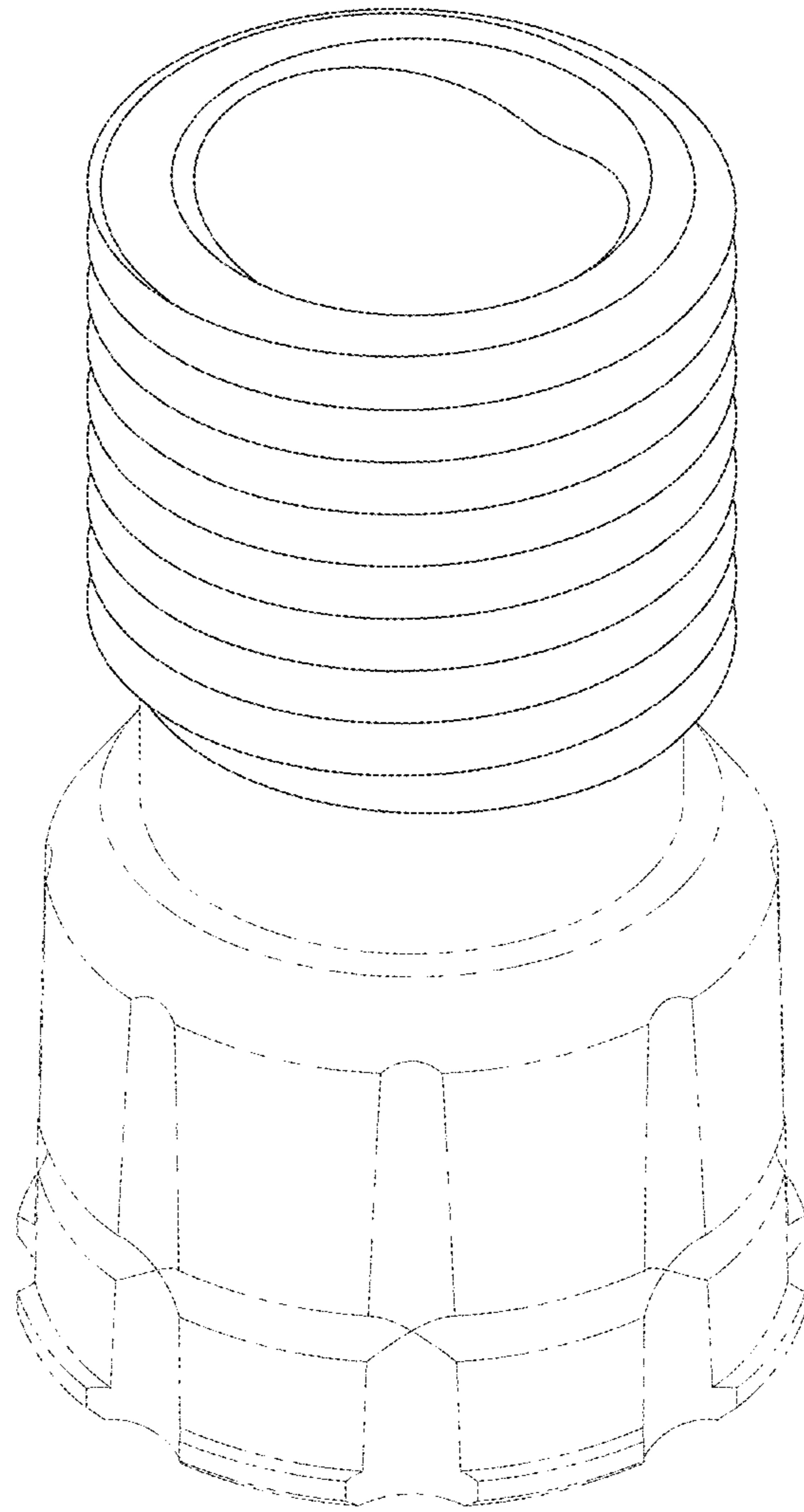


FIG. 1

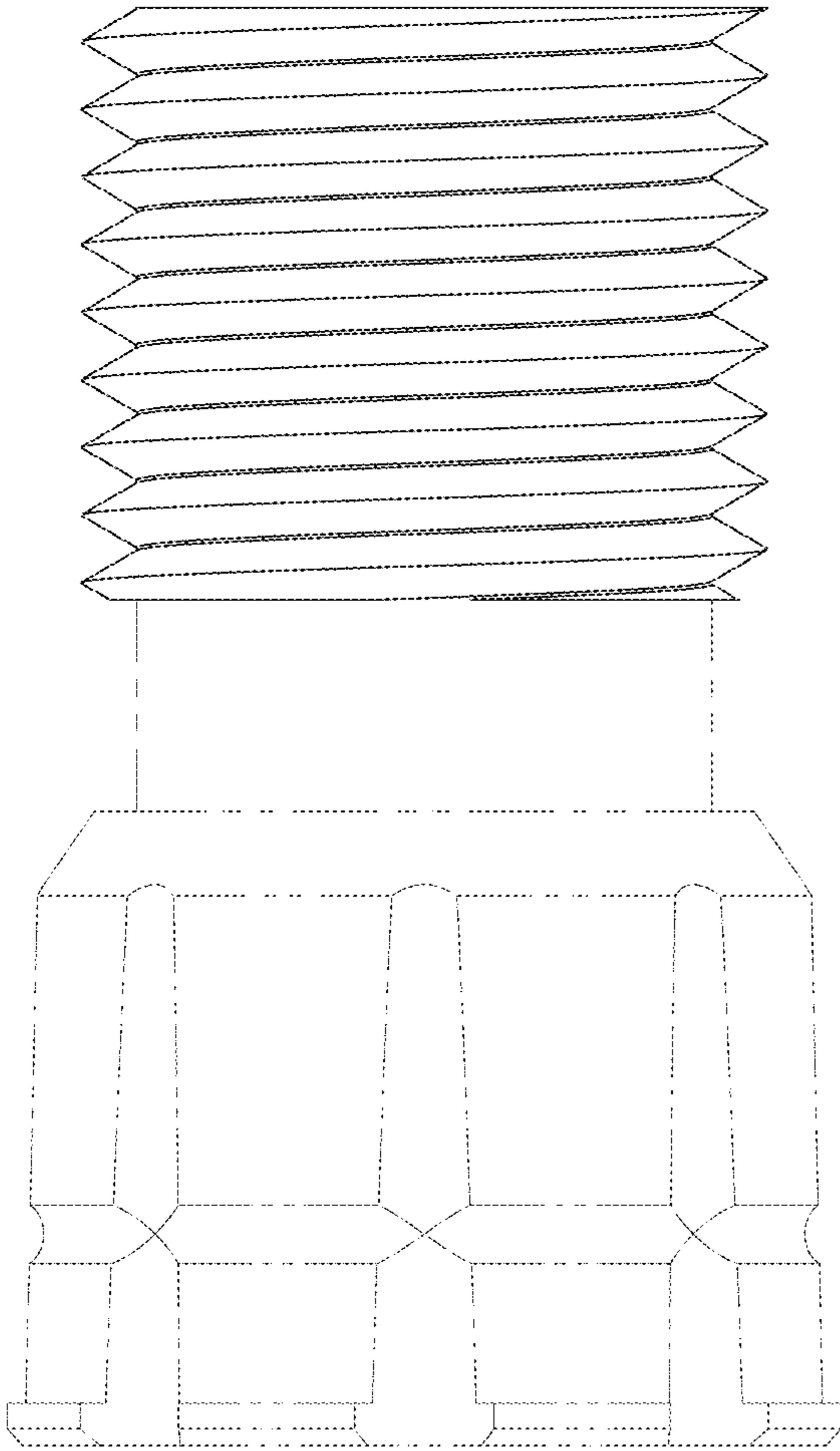


FIG. 2

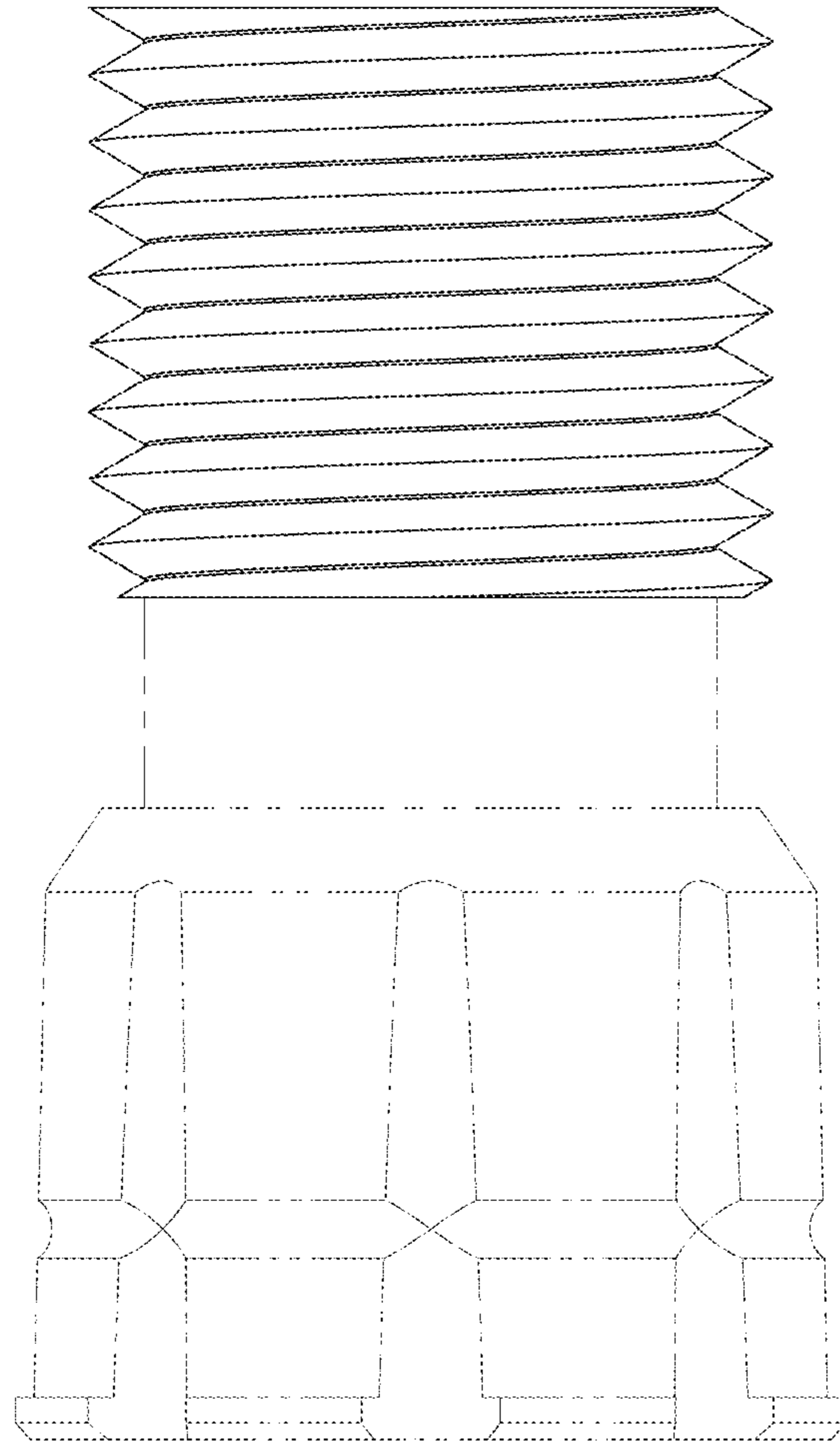


FIG. 3

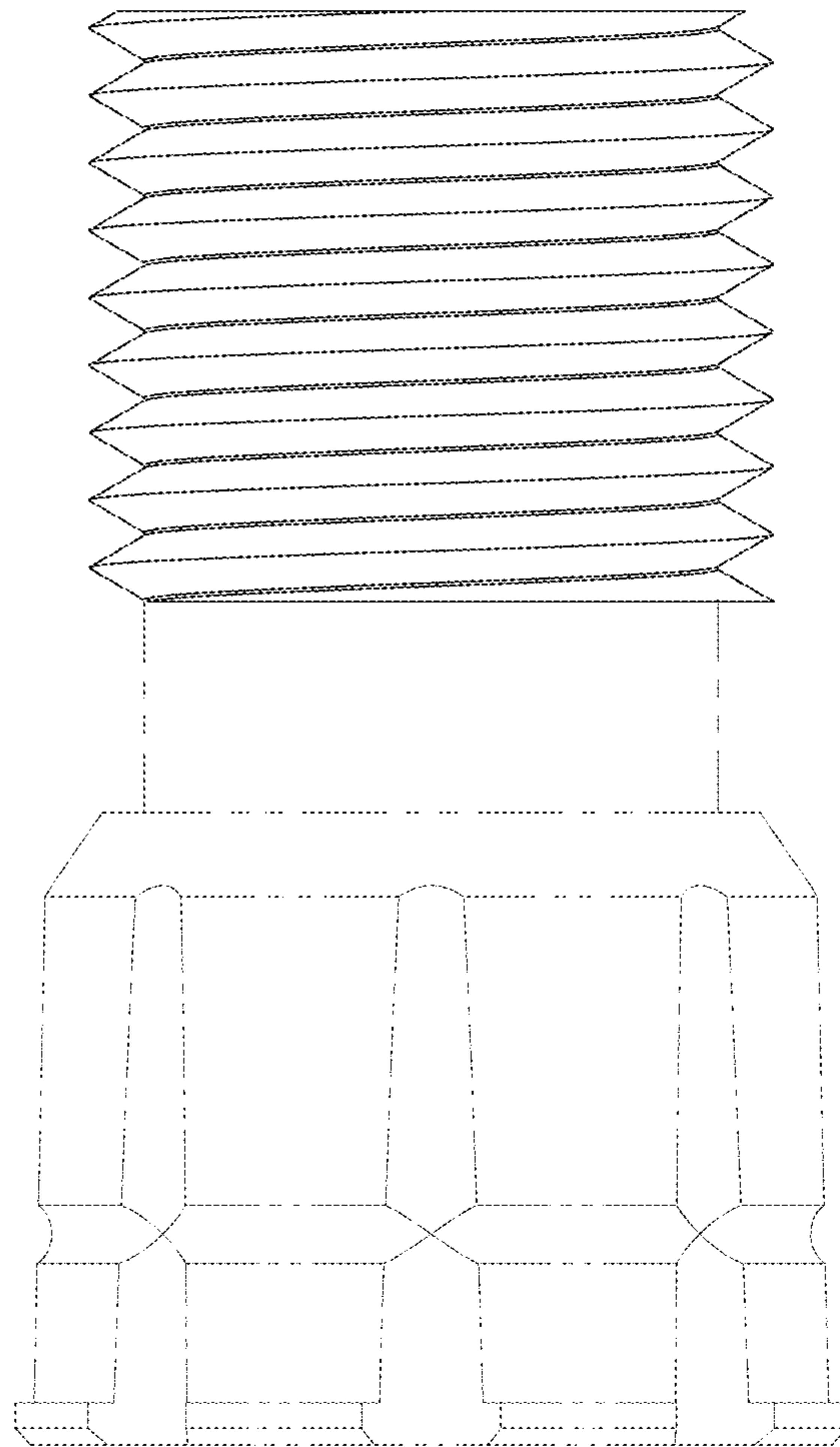


FIG. 4

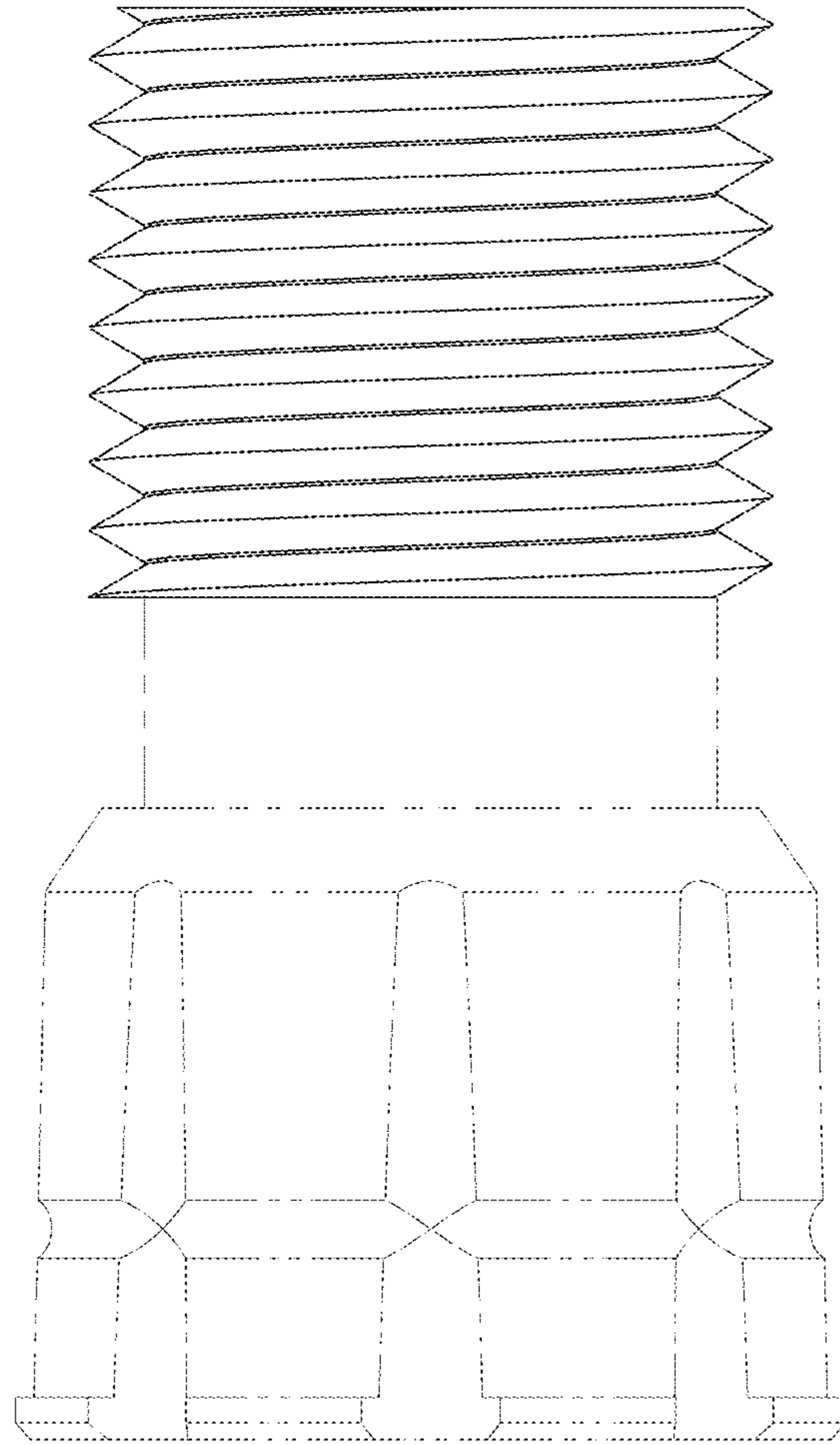


FIG. 5

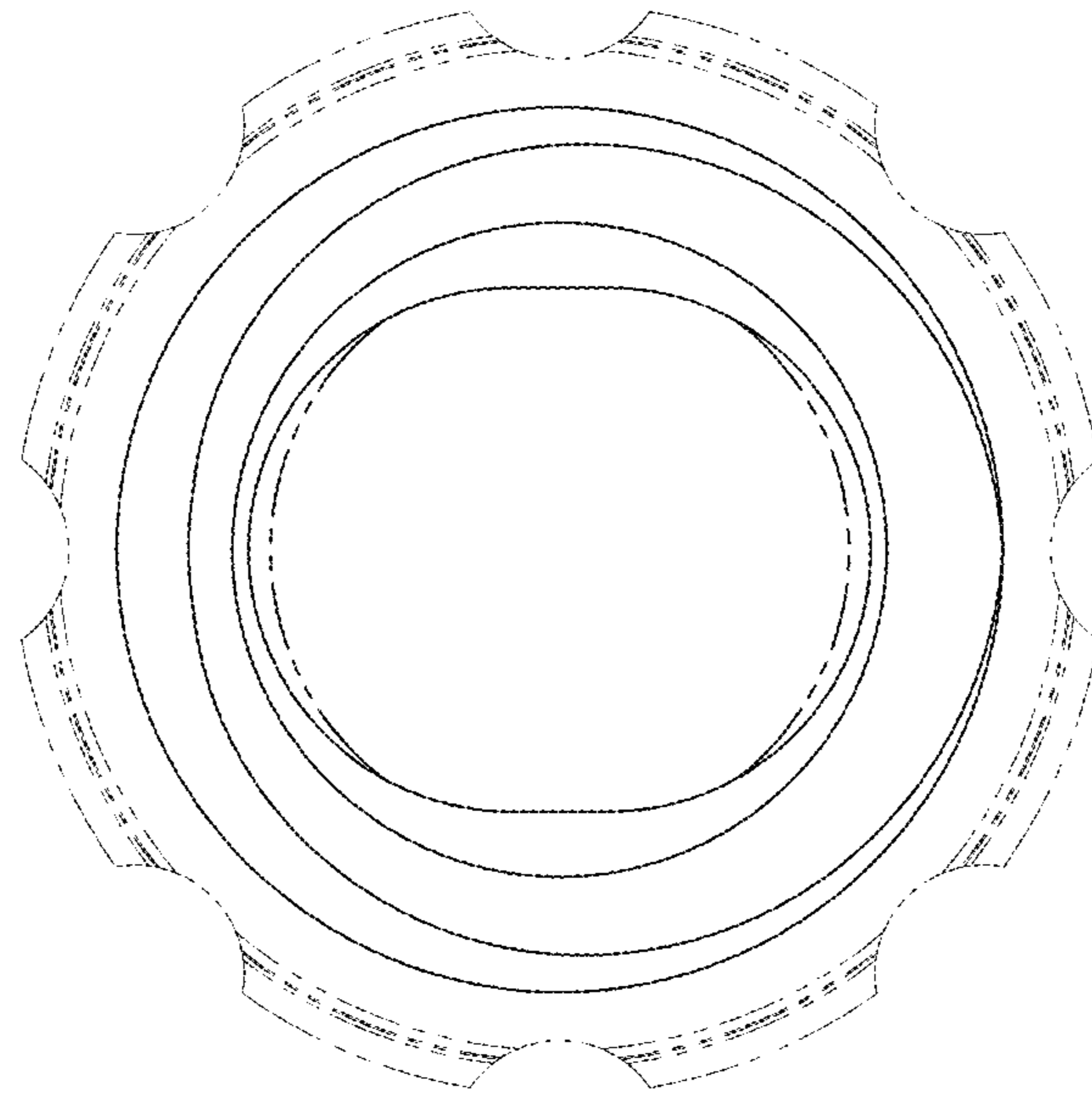


FIG. 6

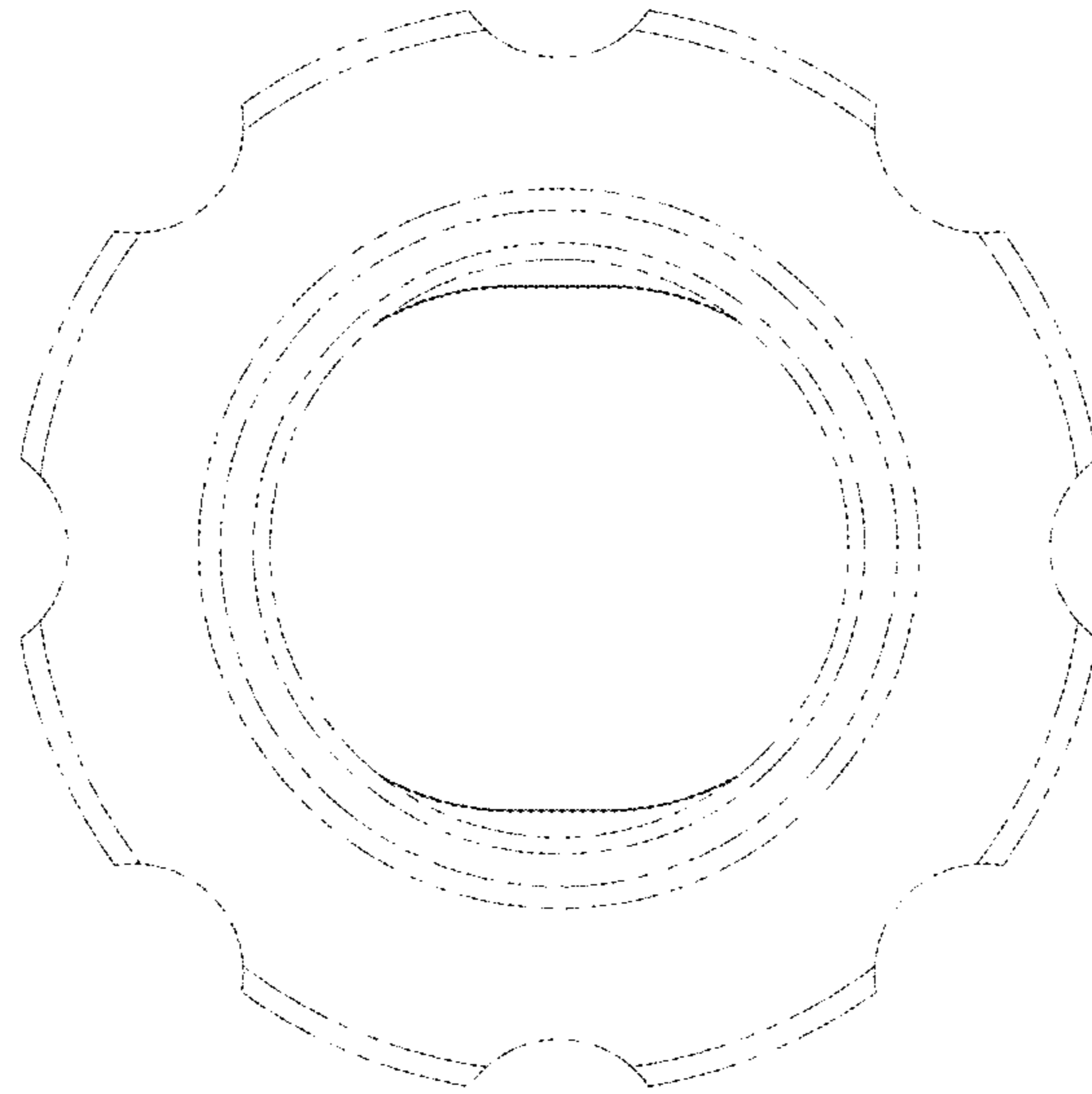


FIG. 7