



US00D920170S

(12) **United States Design Patent**  
**Mazar**

(10) **Patent No.:** **US D920,170 S**

(45) **Date of Patent:** **\*\* May 25, 2021**

(54) <b>FOLDABLE TRICYCLE</b>	6,935,649 B2 *	8/2005	Lim	.....	B62H 7/00 280/278
(71) Applicant: <b>Doona Holdings Ltd.</b> , Quarry Bay (HK)	D525,568 S *	7/2006	Baron	.....	D12/112
	D555,045 S *	11/2007	On	.....	D12/112
	D571,866 S *	6/2008	On	.....	D21/435
(72) Inventor: <b>Yoav Shabtai Mazar</b> , Herzelia (IL)	D594,788 S *	6/2009	Hartlaub	.....	D12/113
	D596,090 S *	7/2009	Tufte	.....	D12/168
	D604,777 S *	11/2009	On	.....	D12/112
(73) Assignee: <b>DOONA HOLDINGS LTD.</b> , Quarry Bay (HK)	D627,265 S *	11/2010	On	.....	D12/112
	D659,056 S *	5/2012	Bricker	.....	D12/112
	D735,090 S *	7/2015	Baron	.....	D12/113
(**) Term: <b>15 Years</b>	D777,607 S *	1/2017	Fitzwater	.....	D12/112
(21) Appl. No.: <b>29/640,291</b>	D787,378 S *	5/2017	Ostergaard	.....	D12/112
(22) Filed: <b>Mar. 13, 2018</b>	2011/0074125 A1 *	3/2011	Aiken	.....	B62H 7/00 280/47.38
	2011/0278815 A1 *	11/2011	Khare	.....	B62J 17/08 280/279

(Continued)

(30) **Foreign Application Priority Data**

Sep. 14, 2017 (IL) ..... 60943

(51) **LOC (13) Cl.** ..... **12-08**

(52) **U.S. Cl.**  
USPC ..... **D12/112; D21/435**

(58) **Field of Classification Search**  
USPC ..... D12/112, 113; D21/432, 435, 538  
CPC ..... B62K 9/02; B62K 15/00; B62K 15/008;  
B62K 21/00; B62J 17/08  
See application file for complete search history.

(56) **References Cited**

**U.S. PATENT DOCUMENTS**

3,639,748 A *	2/1972	Pearson	.....	B60Q 1/2626 362/505
3,869,167 A *	3/1975	Muller	.....	B60R 19/18 293/110
4,974,125 A *	11/1990	McGehee	.....	B60Q 1/2611 362/237
6,612,598 B2 *	9/2003	Wu	.....	B62H 7/00 280/270
6,840,527 B1 *	1/2005	Michelau	.....	B62H 7/00 280/270
6,874,802 B2 *	4/2005	Gunter	.....	B62H 7/00 280/288.4

*Primary Examiner* — Darlington Ly

(74) *Attorney, Agent, or Firm* — Vorys, Sater, Seymour & Pease LLP; William Klima

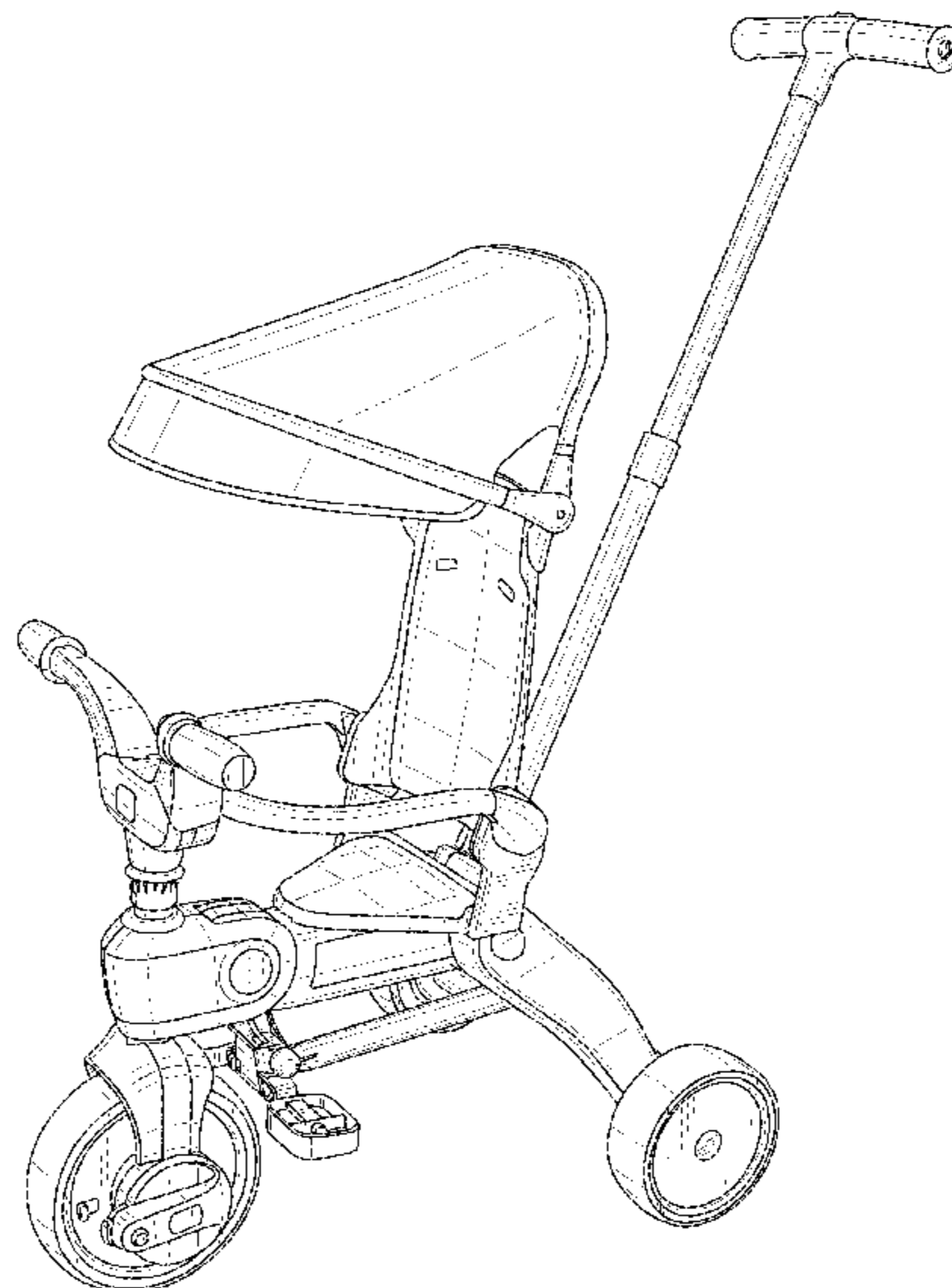
(57) **CLAIM**

The ornamental design for a foldable tricycle, as shown and described.

**DESCRIPTION**

FIG. 1 is a front perspective view of a foldable tricycle showing my new design;  
FIG. 2 is a rear perspective view thereof;  
FIG. 3 is a front elevation view thereof;  
FIG. 4 is a rear elevation view thereof;  
FIG. 5 is a left side elevation view thereof;  
FIG. 6 is a right side elevation view thereof;  
FIG. 7 is a top plan view thereof; and,  
FIG. 8 is a bottom plan view thereof.  
The areas delineated in broken lines are included for the purpose of illustrating environmental structure and forms no part of the claimed design.

**1 Claim, 8 Drawing Sheets**



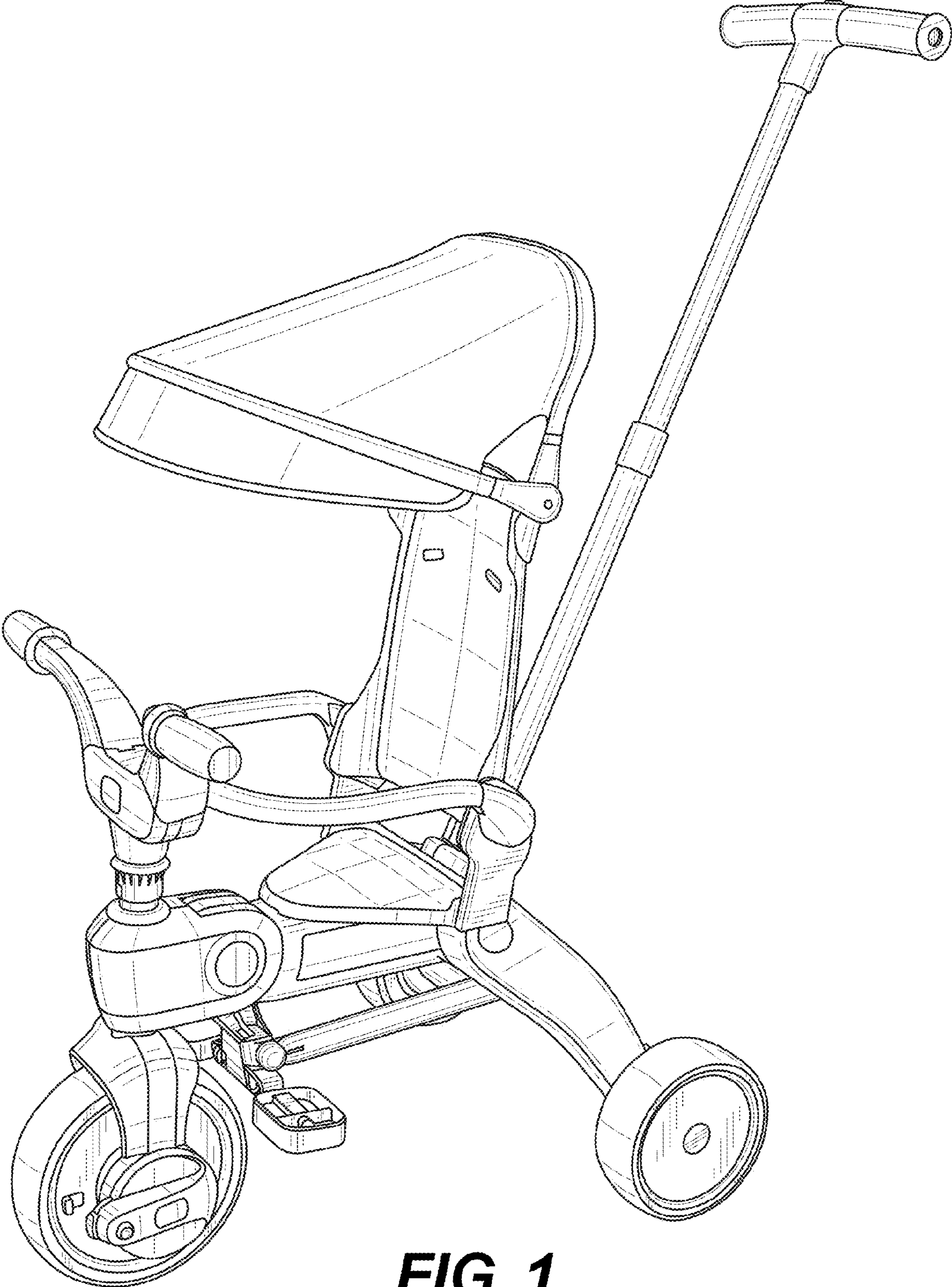
(56)

**References Cited**

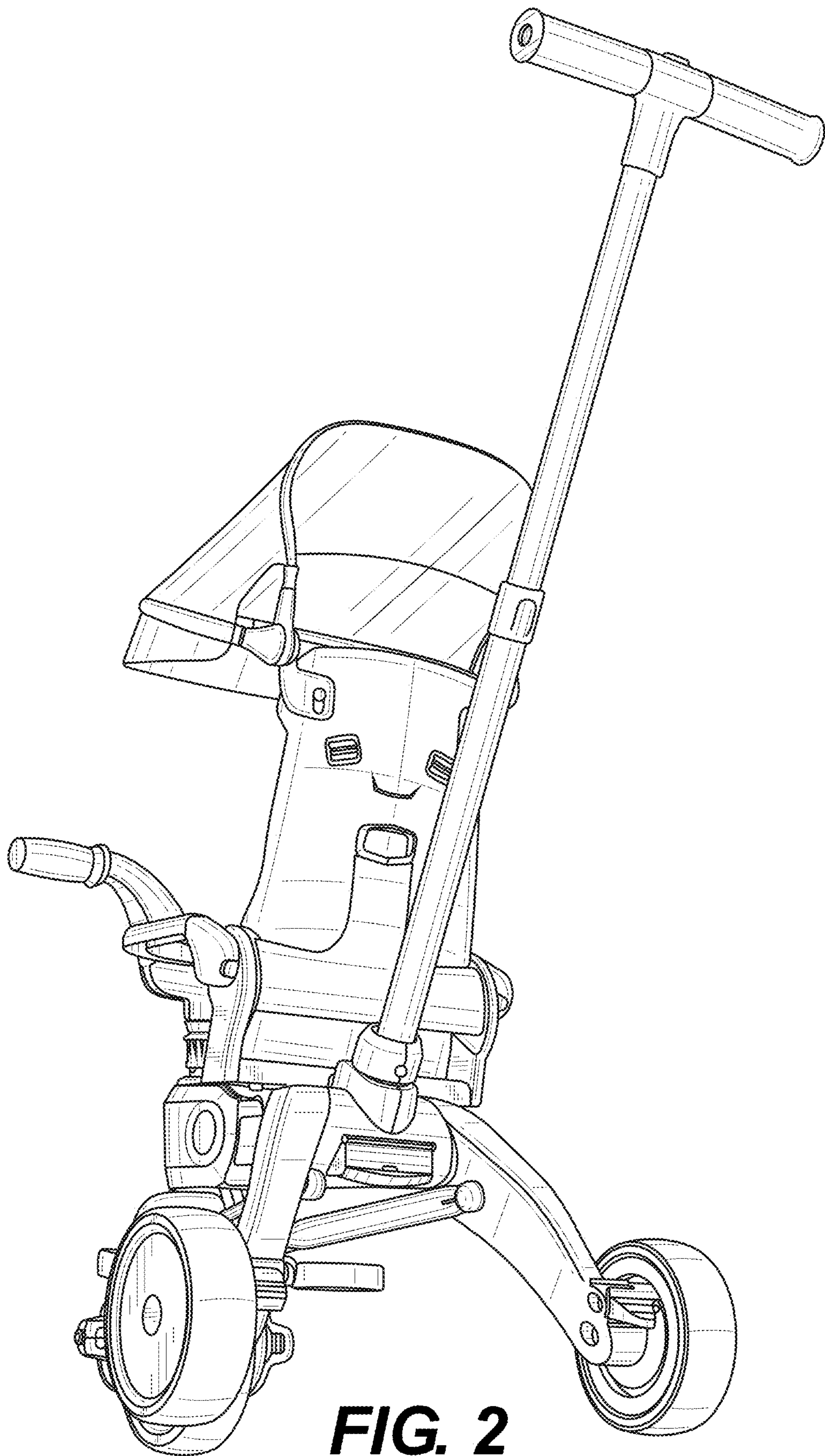
U.S. PATENT DOCUMENTS

2013/0056949 A1\* 3/2013 Bricker ..... B62M 1/38  
280/259  
2014/0103616 A1\* 4/2014 Young ..... B62K 15/00  
280/278  
2014/0217696 A1\* 8/2014 Bartels ..... B62H 7/00  
280/274

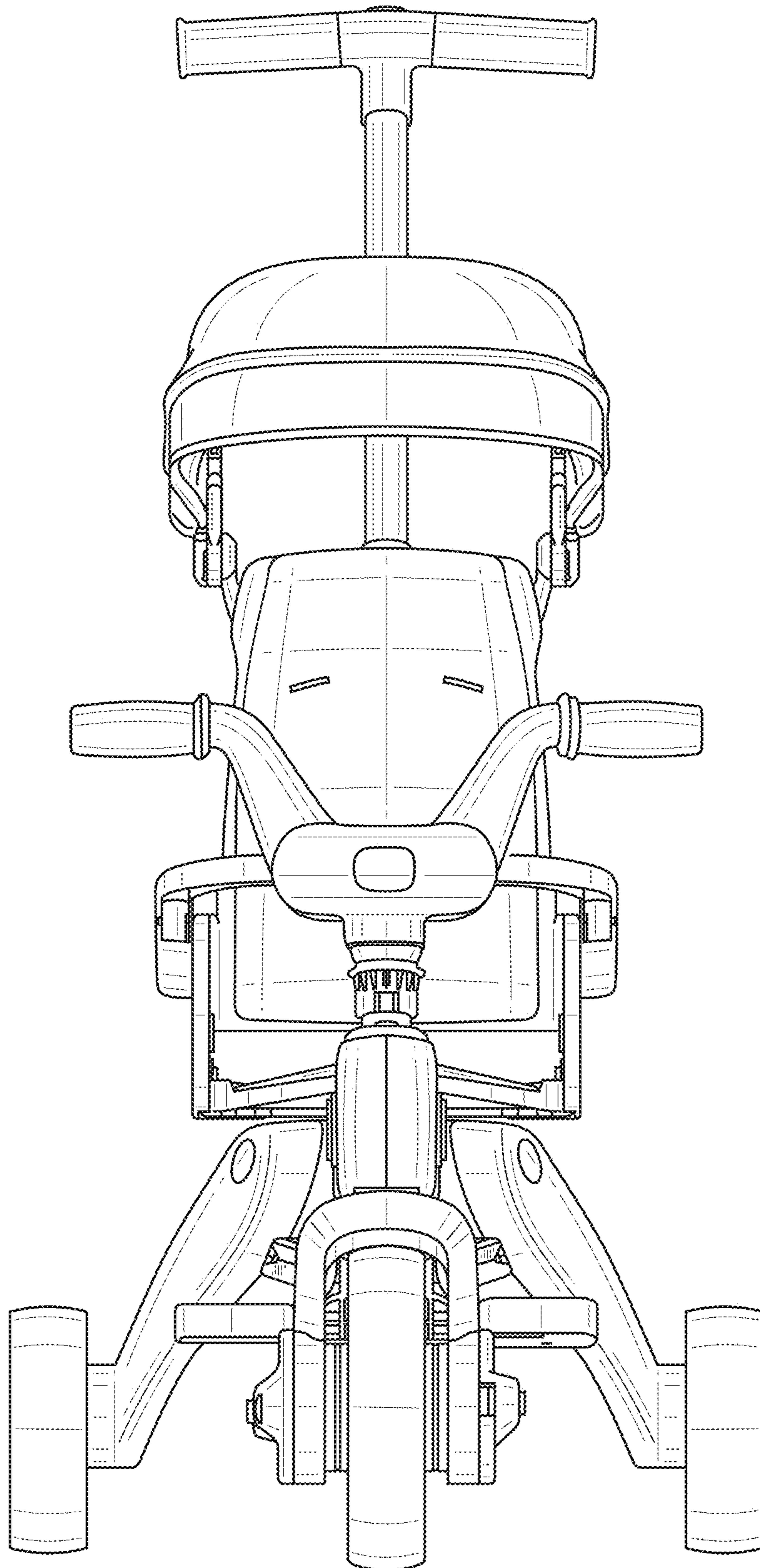
\* cited by examiner



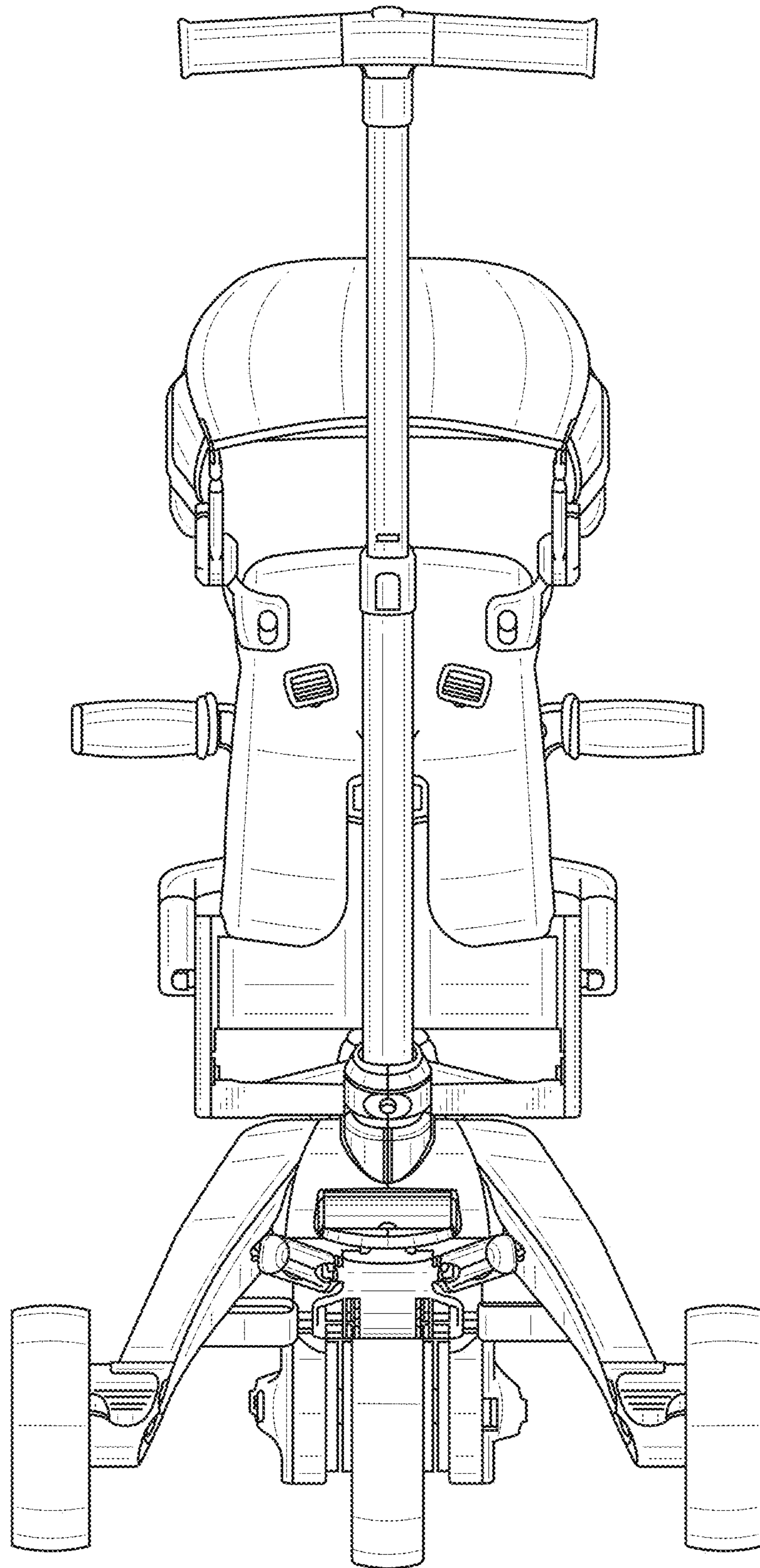
**FIG. 1**



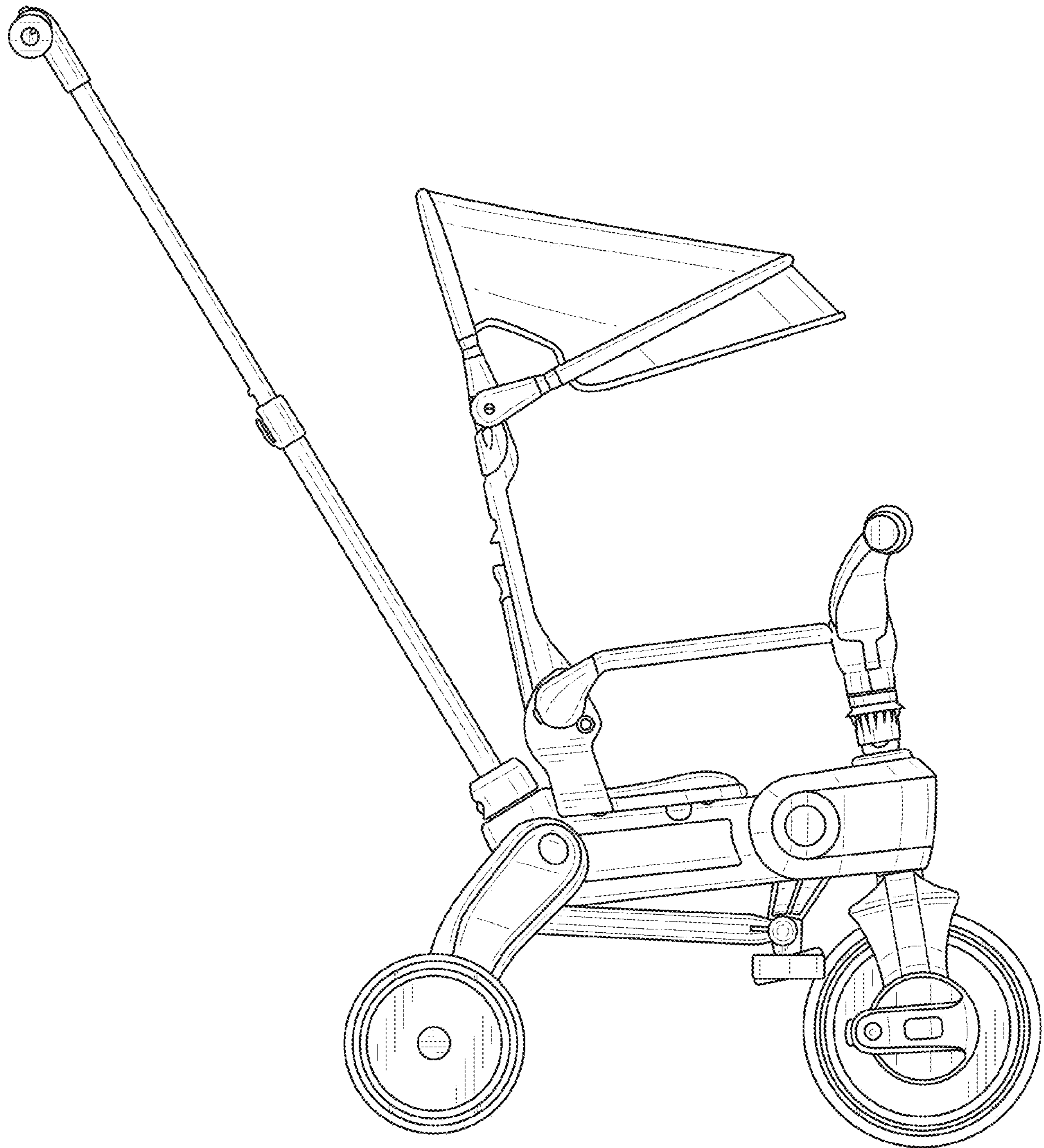
**FIG. 2**



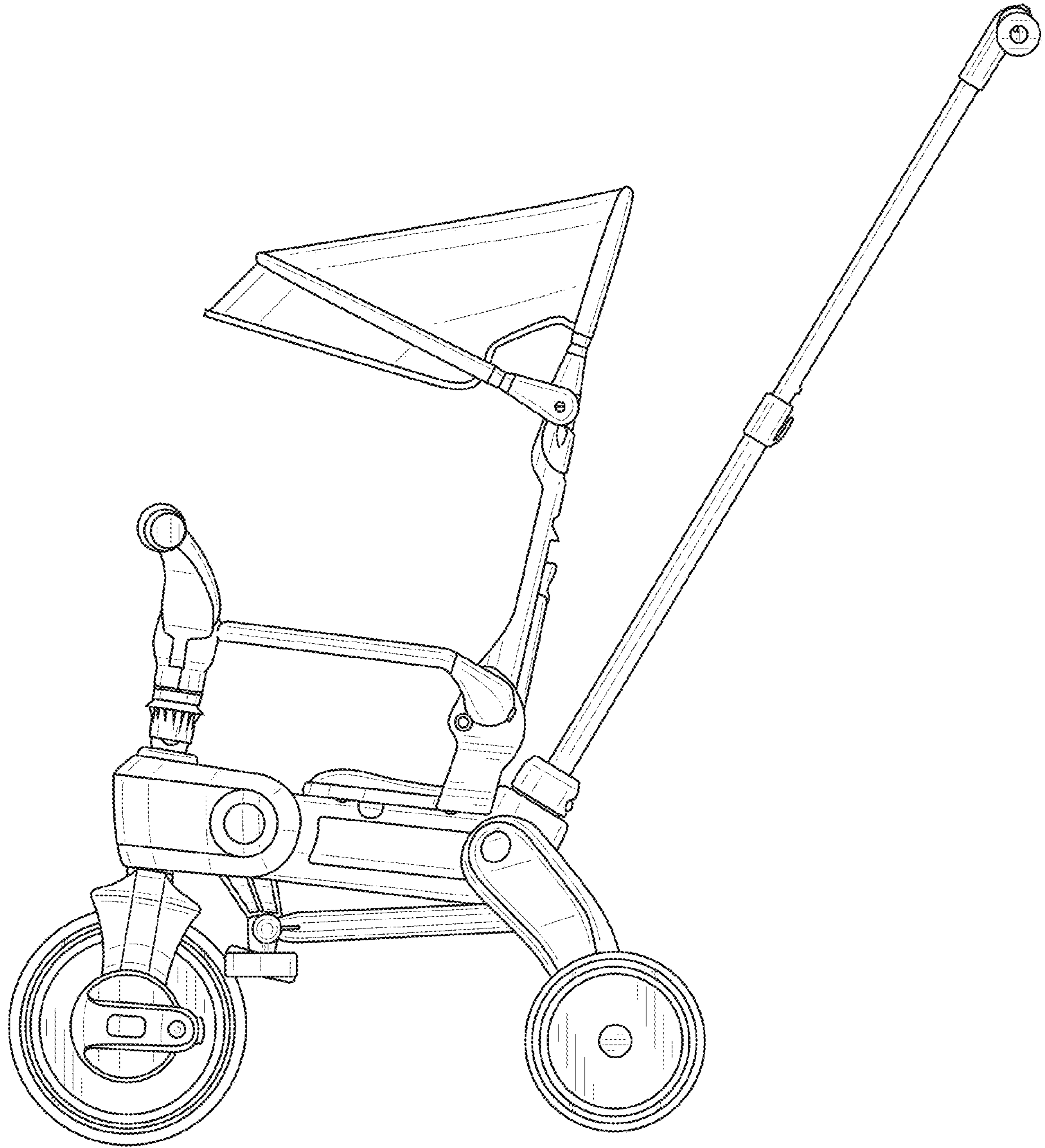
**FIG. 3**



**FIG. 4**

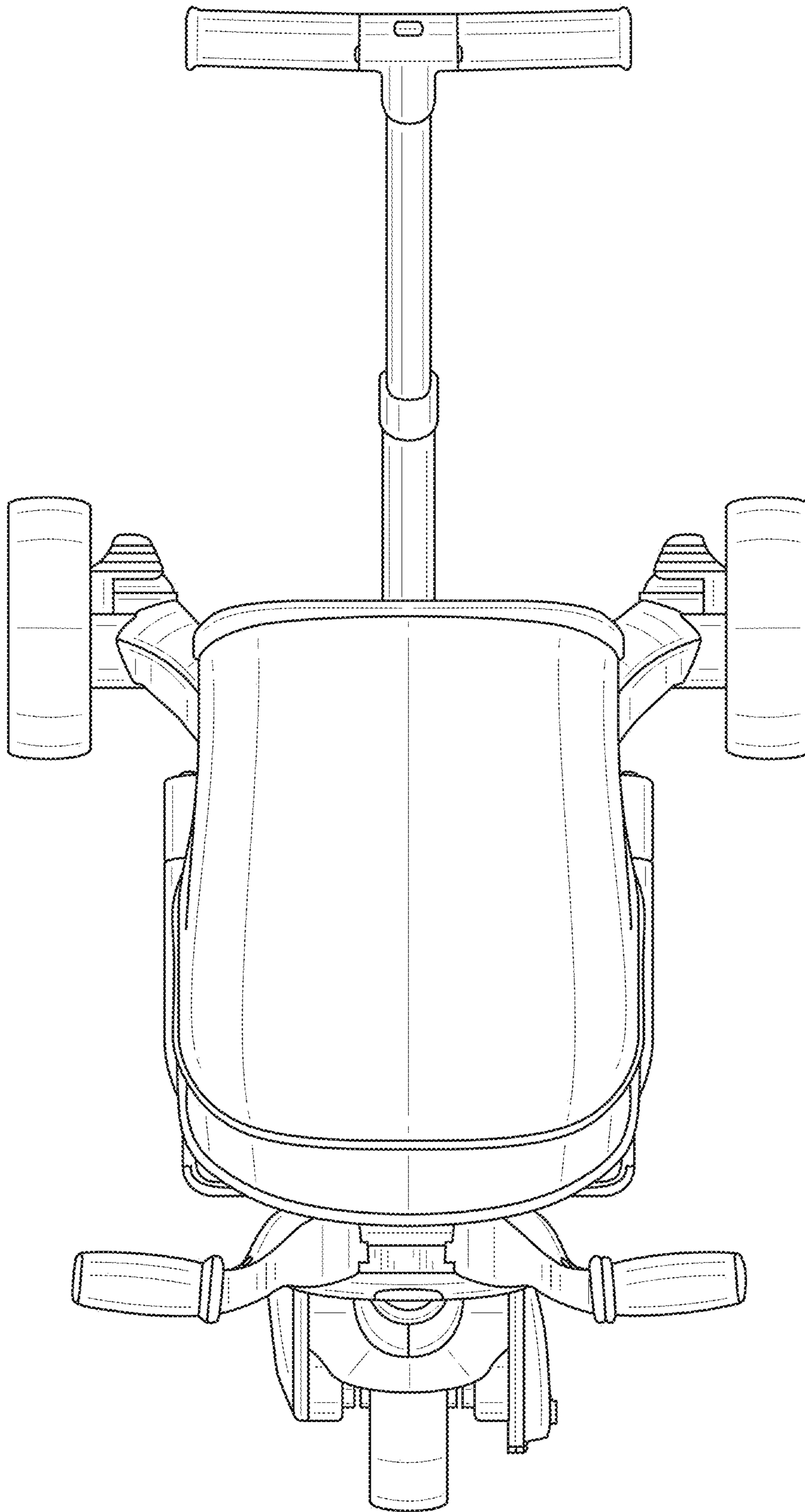


**FIG. 5**

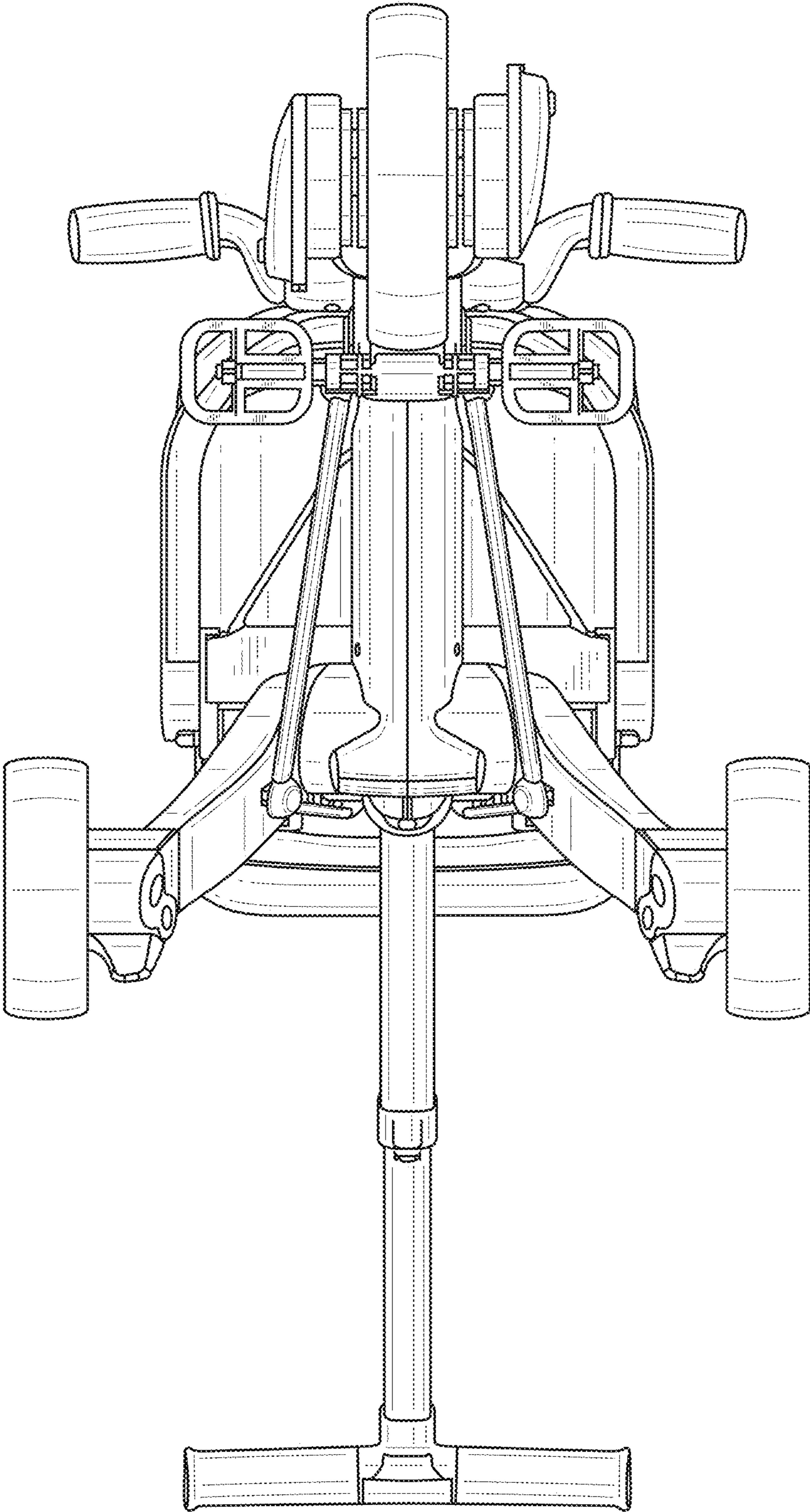


**FIG. 6**





**FIG. 7**



**FIG. 8**