



US00D920169S

(12) **United States Design Patent** (10) **Patent No.:** **US D920,169 S**
Li (45) **Date of Patent:** **** May 25, 2021**

(54) **BIKE**

FOREIGN PATENT DOCUMENTS

(71) Applicant: **Wei Li**, Shangqiu (CN)

KR 3020150028114 * 6/2015

(72) Inventor: **Wei Li**, Shangqiu (CN)

OTHER PUBLICATIONS

(**) Term: **15 Years**

(21) Appl. No.: **29/657,182**

Amazon, AMDirect Velo Electrique Pliable, posted Jul. 31, 2017, [online], [visited Jan. 28, 2020], Internet, <URL: https://www.amazon.fr/AMDirect-Electrique-Pliable-Bicyclette-Vitesse/dp/B074FWY237> (Year: 2017).*

(22) Filed: **Jul. 19, 2018**

Amazon, Rollgan Dolphin Electric Bike, posted Aug. 27, 2017, [online], [visited Jan. 28, 2020], Internet, <URL: https://www.amazon.co.uk/ROLLGAN-Dolphin-Electric-Collapsible-Mechanical/dp/B0756DSR2L/ref=olp_product_details?_encoding=UTF8&me=> (Year: 2017).*

(51) **LOC (13) Cl.** **12-11**

(52) **U.S. Cl.**

USPC **D12/111**

(58) **Field of Classification Search**

USPC D12/111, 107, 114, 117, 126, 127, 159;
D21/419, 424, 427, 432

CPC . B62K 3/00; B62K 3/005; B62K 3/02; B62K 3/04; B62K 11/00; B62K 11/02; B62K 11/10; B62K 11/14; B62K 21/12; B62K 21/16; B62K 21/26; B62K 21/02; B62K 21/04; B62K 21/06; B62K 9/02; B62K 15/006; B62K 2201/04; B62K 19/02; B62K 19/08; B62K 19/16; B62K 25/04; B62K 25/08; B62K 25/16; B62K 25/30; B62K 25/02; B62K 25/10

See application file for complete search history.

Amazon, ANCHEER Folding Electric Bike, posted Nov. 6, 2017, [online], [visited Jan. 28, 2020], Internet, <URL: https://www.amazon.co.uk/ANCHEER-Folding-Electric-Powerful-Waterproof/dp/B07B689984> (Year: 2017).*

* cited by examiner

Primary Examiner — Sheryl Lane

Assistant Examiner — Samantha N Wood

(74) *Attorney, Agent, or Firm* — Bay State IP, LLC

(57) **CLAIM**

The ornamental design for a bike, as shown and described.

DESCRIPTION

(56) **References Cited**

U.S. PATENT DOCUMENTS

4,613,146 A * 9/1986 Sharp B62K 3/02
280/288.2
D498,438 S * 11/2004 Ying D12/111
D621,302 S * 8/2010 Tanaka D12/111
8,414,007 B2 * 4/2013 Chen B62K 15/006
280/278
D686,540 S * 7/2013 Hinderhofer D12/111
D752,264 S * 3/2016 Talios D26/28
D804,366 S * 12/2017 Wunderlin D12/111

FIG. 1 is a front perspective view of the bike showing my new design;

FIG. 2 is a front view thereof;

FIG. 3 is a back view thereof;

FIG. 4 is a top view thereof;

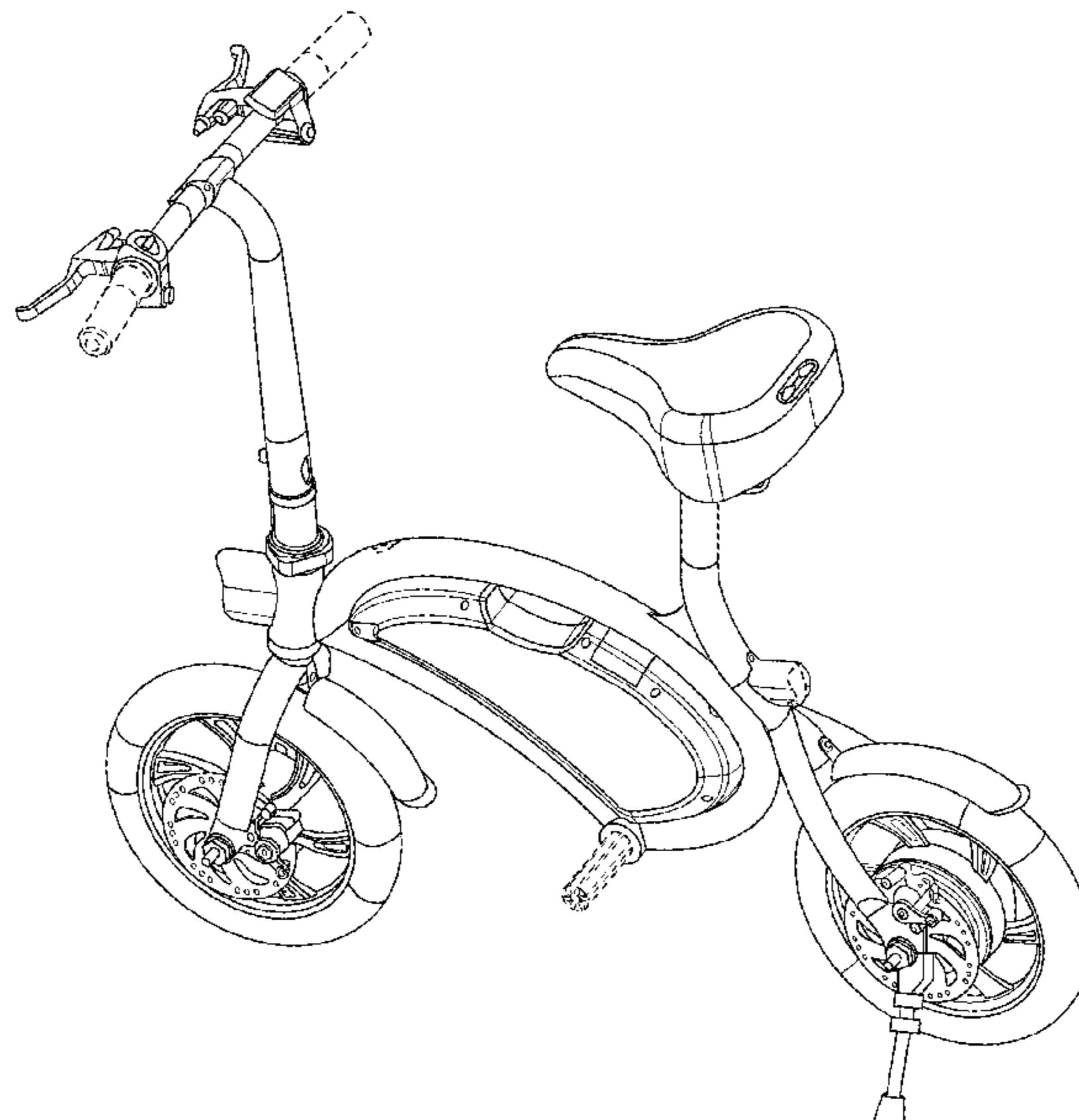
FIG. 5 is a bottom view thereof;

FIG. 6 is a left side view thereof; and,

FIG. 7 is a right side view thereof.

The broken lines depict portions of the bike that form no part of the claimed design.

1 Claim, 7 Drawing Sheets



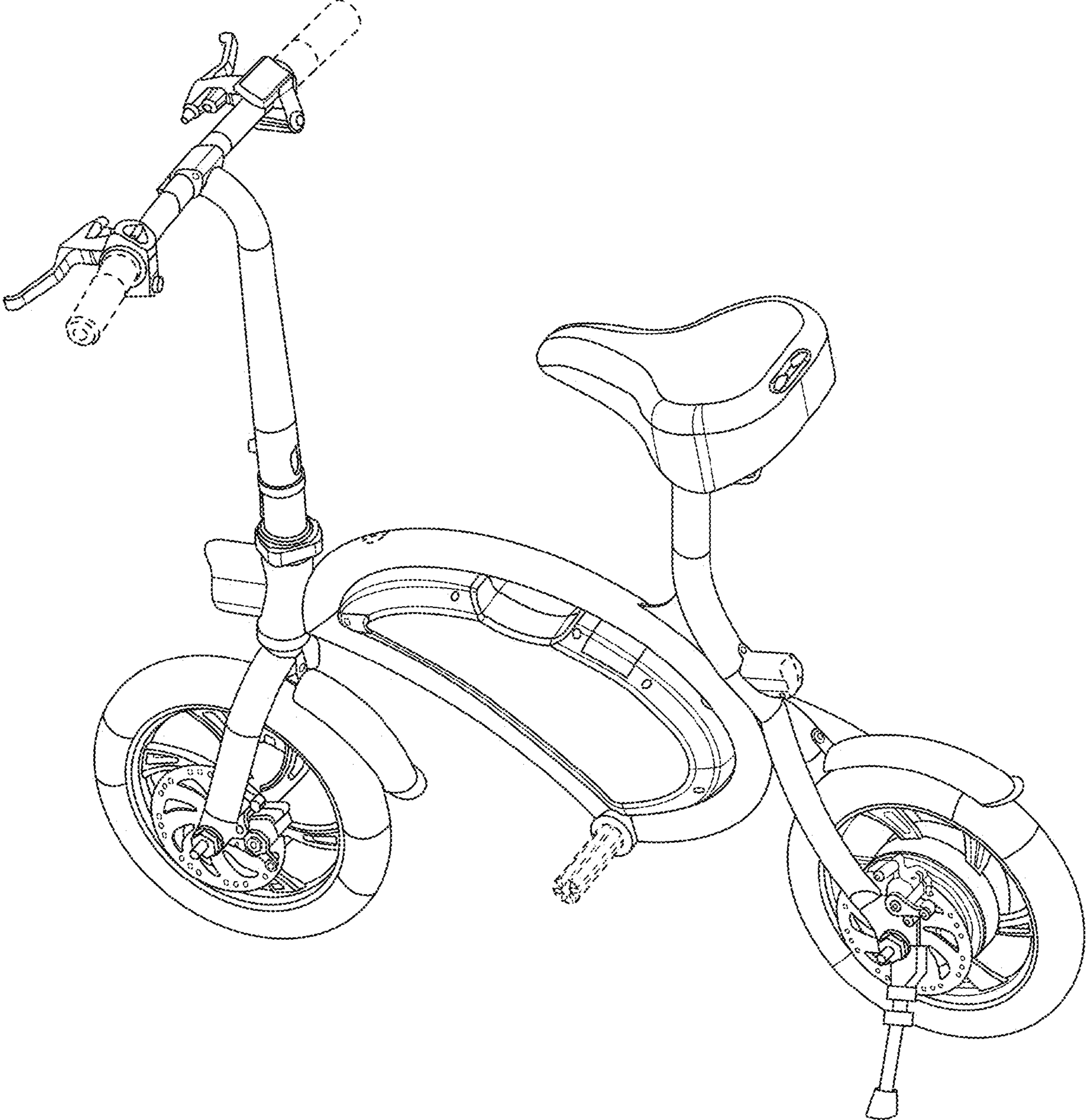


Fig. 1

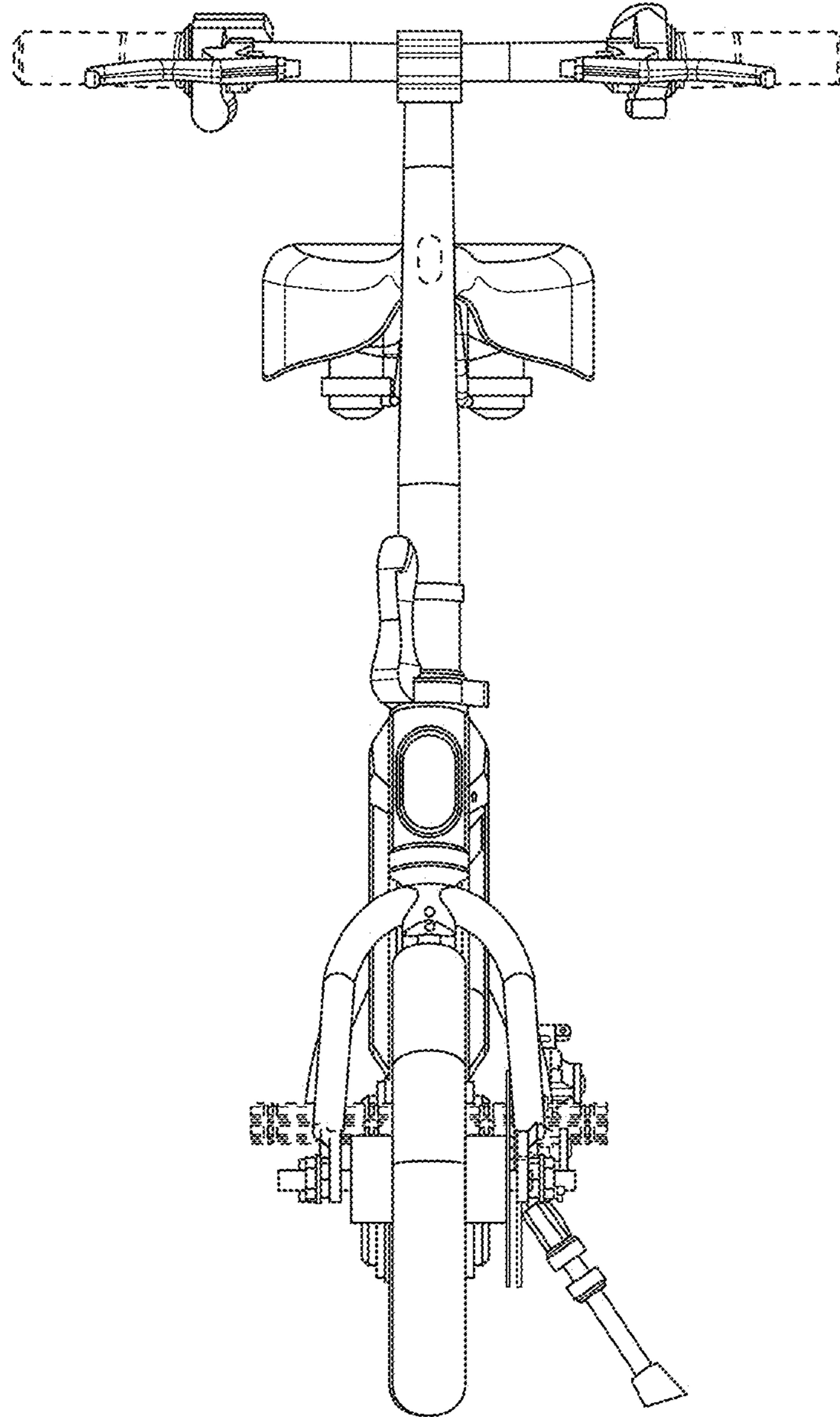


Fig. 2

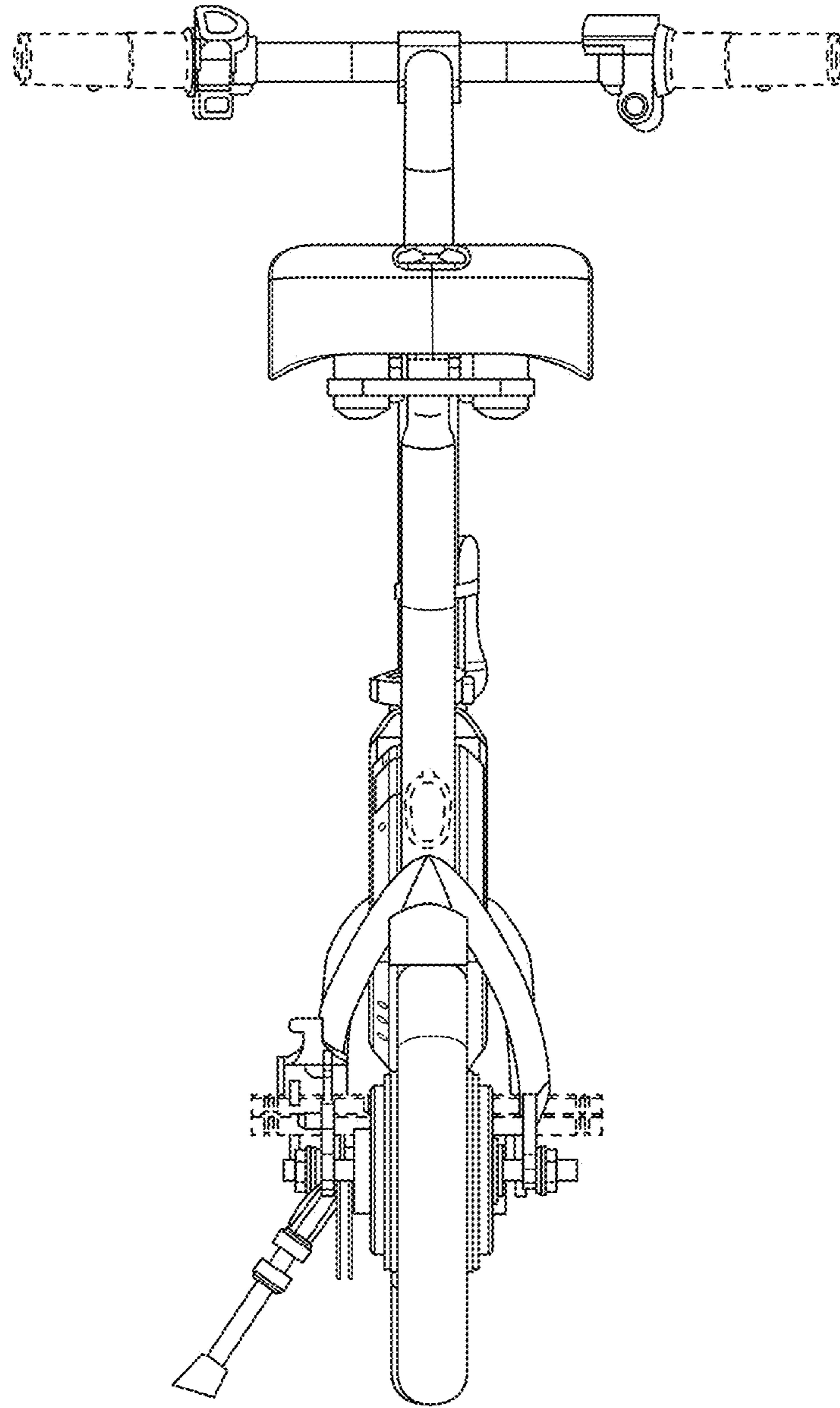


Fig. 3

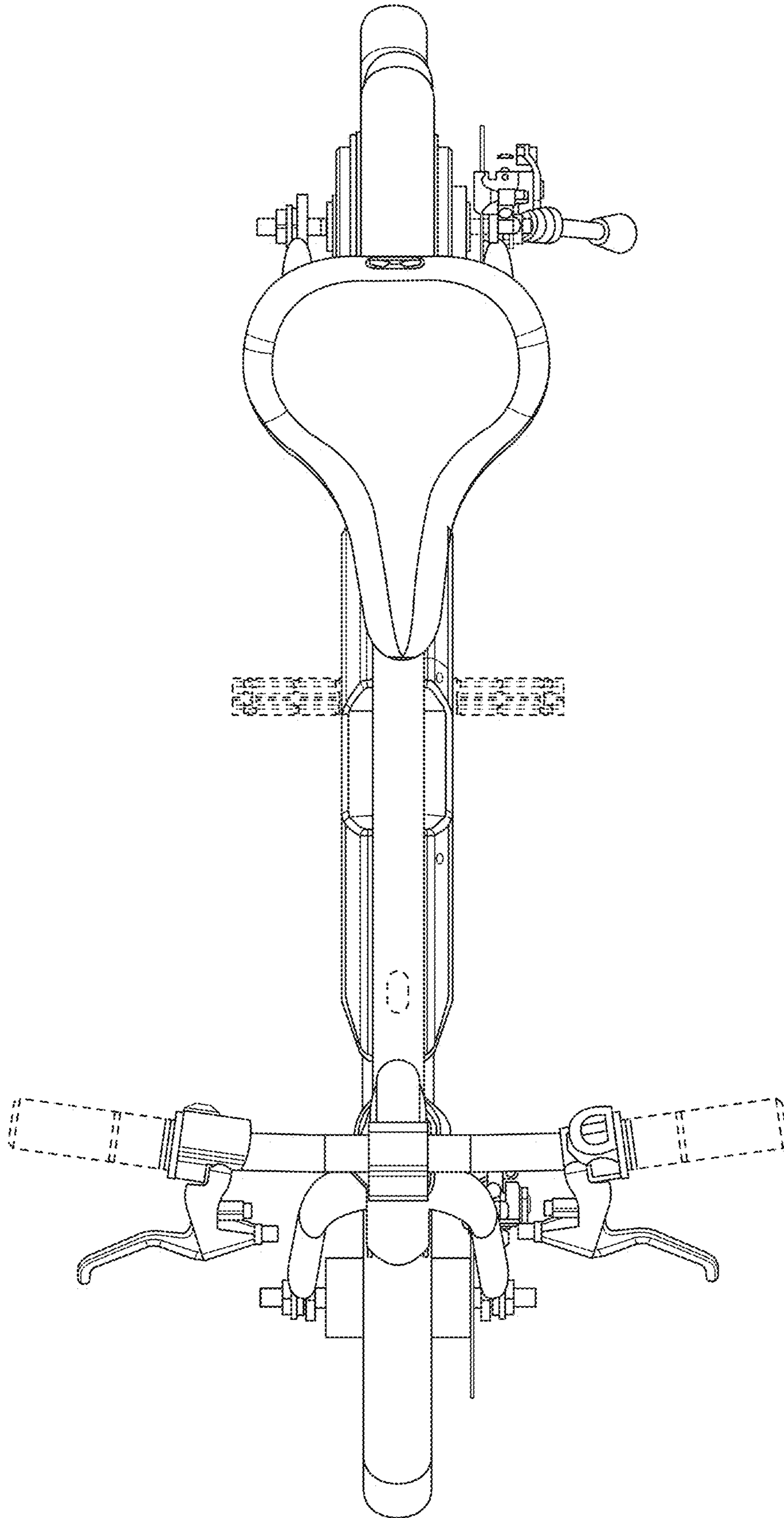


Fig. 4

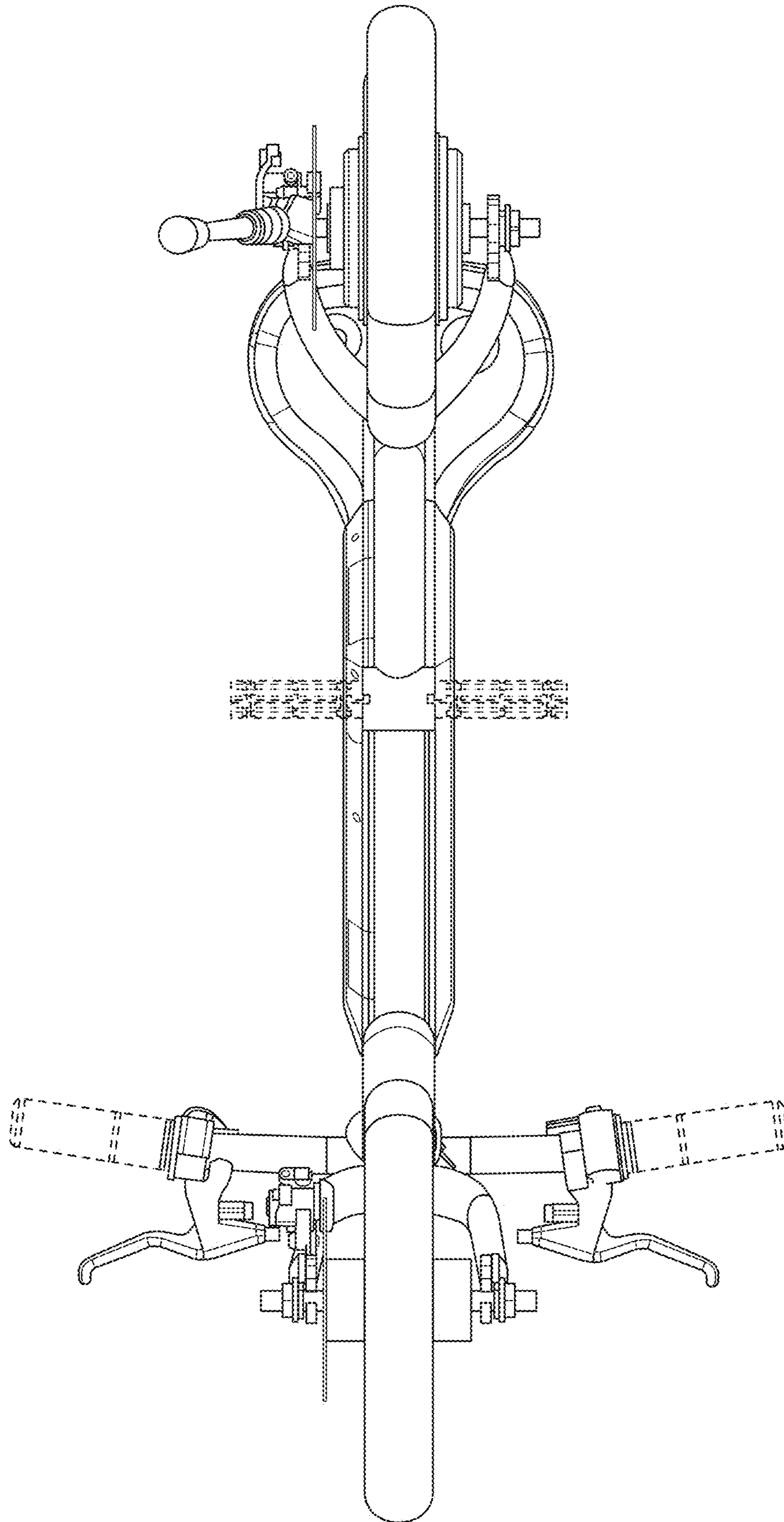


Fig. 5

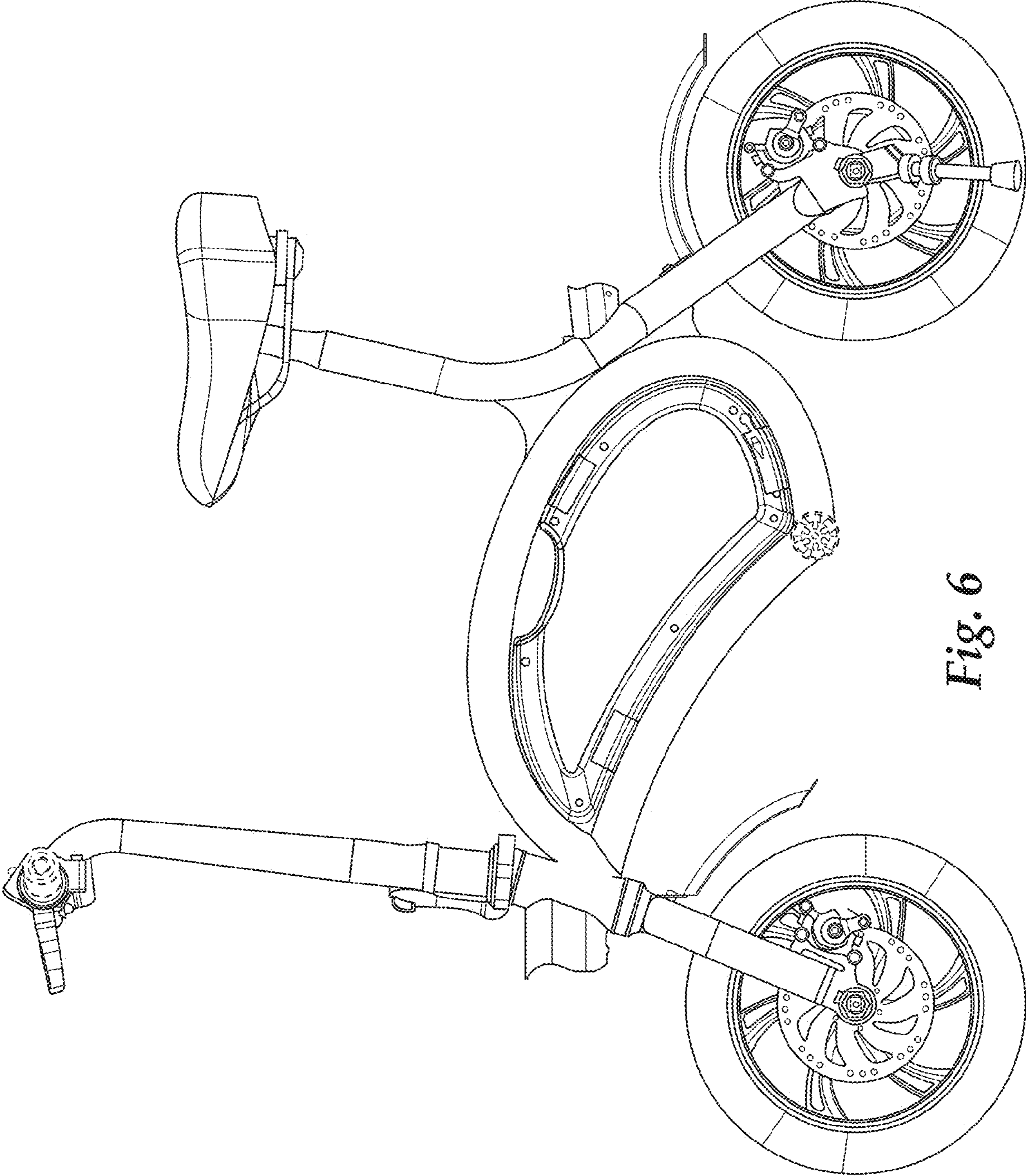


Fig. 6

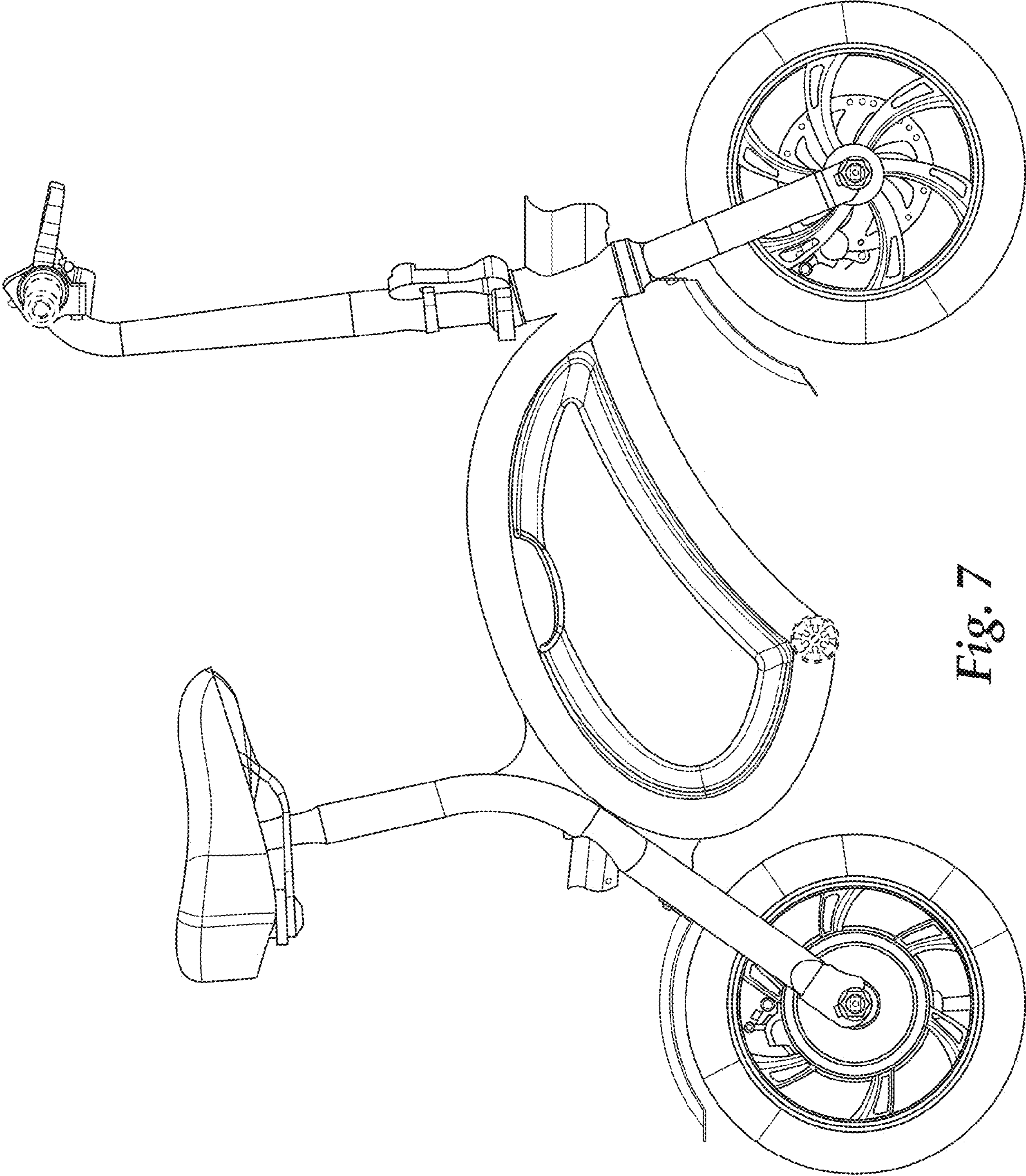


Fig. 7