



US00D920166S

(12) **United States Design Patent**
Wang et al.

(10) **Patent No.:** **US D920,166 S**

(45) **Date of Patent:** **** May 25, 2021**

(54) **SCOOTER**

(71) Applicant: **Gogoro Inc.**, Wanchai (HK)

(72) Inventors: **Sung-Fu Wang**, Taoyuan (TW);
Hsin-Wen Su, Taoyuan (TW);
Chien-Chih Weng, Taoyuan (TW);
Hsi-Wen Chen, Taoyuan (TW);
Ching-Chang Ni, Taoyuan (TW);
Ting-Ping Ku, Taoyuan (TW)

(73) Assignee: **Gogoro Inc.**, Wanchai (HK)

(**) Term: **15 Years**

(21) Appl. No.: **29/706,867**

(22) Filed: **Sep. 24, 2019**

(51) **LOC (13) Cl.** **12-11**

(52) **U.S. Cl.**
USPC **D12/110**

(58) **Field of Classification Search**
USPC D12/110, 111, 117; D21/432, 538
CPC B62K 11/00; B62K 11/02; B62K 11/04;
B62K 11/10; B62K 17/00; B62K 19/00;
B62K 2202/00
See application file for complete search history.

(56) **References Cited**

U.S. PATENT DOCUMENTS

D253,901 S *	1/1980	Sansom	D12/110
4,715,465 A *	12/1987	Takahashi	B62J 17/00 180/219
4,800,980 A *	1/1989	Hideo	B62J 7/04 180/225
D314,166 S *	1/1991	Shively	D12/110
6,516,910 B2 *	2/2003	Buell	B62J 31/00 180/219
D490,750 S *	6/2004	Hoshino	D12/110
D503,363 S *	3/2005	Alsop	D12/117
D509,462 S *	9/2005	Ford	D12/117

D514,987 S *	2/2006	Hsiao	D12/110
D527,314 S *	8/2006	Czysz	D12/117
D537,386 S *	2/2007	Mizuta	D12/110
D537,756 S *	3/2007	Kitayama	D12/110
D543,903 S *	6/2007	Kashima	D12/110
D583,717 S *	12/2008	Brown	D12/117
D596,992 S *	7/2009	Yang	D12/110
D602,813 S *	10/2009	Chao	D12/110
D602,815 S *	10/2009	Lin	D12/110
D610,490 S *	2/2010	Wong	D12/110
D622,637 S *	8/2010	Schneider	D12/110
7,815,005 B2 *	10/2010	Masuda	B62K 25/283 180/227
D629,721 S *	12/2010	Takeo	D12/110
D644,961 S *	9/2011	Watanabe	D12/110

(Continued)

Primary Examiner — Darlington Ly

(74) *Attorney, Agent, or Firm* — Banner & Witcoff, Ltd.

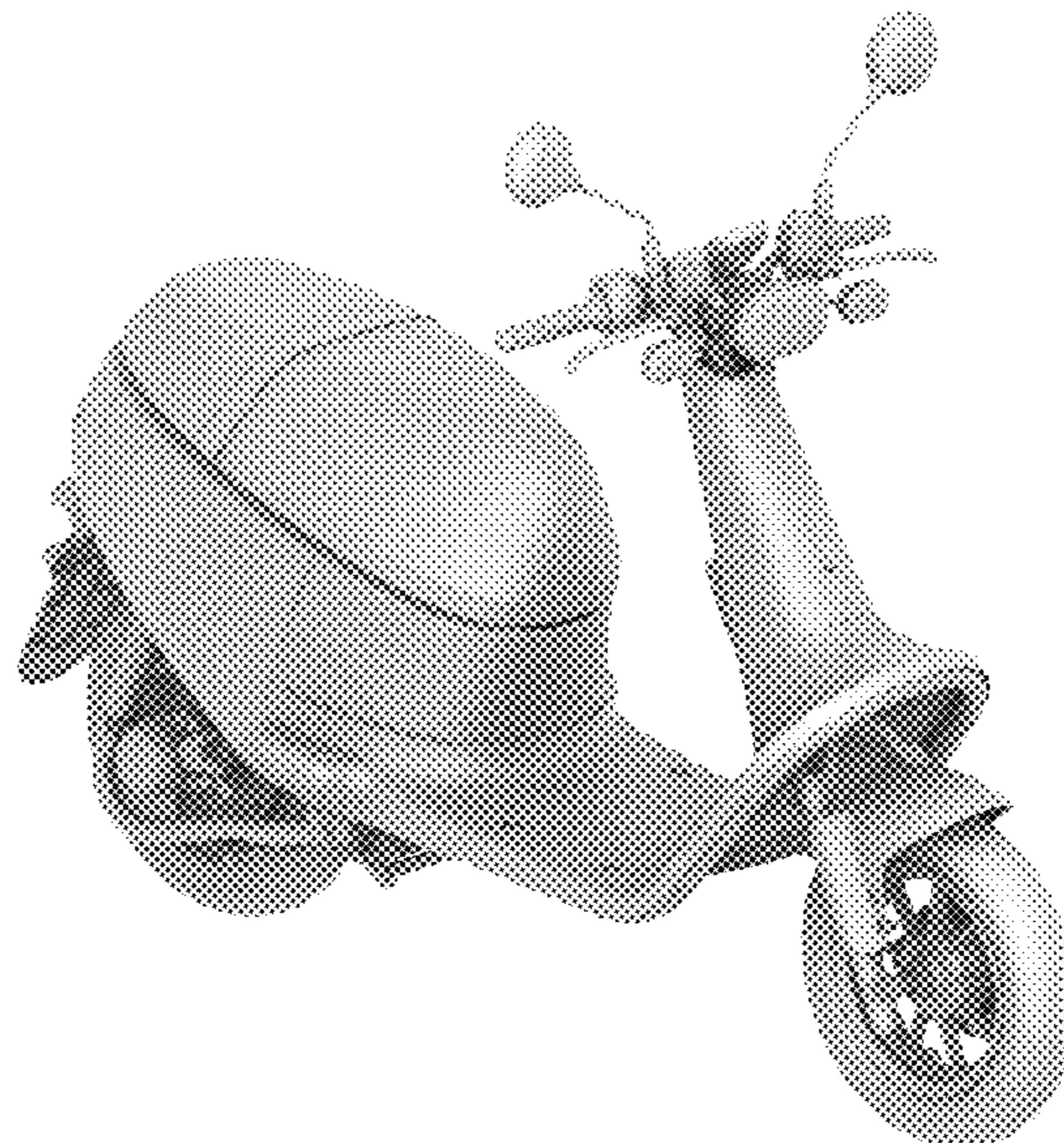
(57) **CLAIM**

The ornamental design for a scooter, as shown and described.

DESCRIPTION

FIG. 1 is a front perspective view of a scooter showing our new design in accordance to a first embodiment;
 FIG. 2 is a front elevation view thereof;
 FIG. 3 is a rear elevation view thereof;
 FIG. 4 is a left side elevation view thereof;
 FIG. 5 is a right side elevation view thereof;
 FIG. 6 is a top plan view thereof; and
 FIG. 7 is a rear perspective view thereof.
 FIG. 8 is a front perspective view of a scooter showing our new design in accordance to a second embodiment;
 FIG. 9 is a front elevation view thereof;
 FIG. 10 is a rear elevation view thereof;
 FIG. 11 is a left side elevation view thereof;
 FIG. 12 is a right side elevation view thereof;
 FIG. 13 is a top plan view thereof; and,
 FIG. 14 is a rear perspective view thereof.

1 Claim, 14 Drawing Sheets



(56)

References Cited

U.S. PATENT DOCUMENTS

D647,006	S	*	10/2011	Hung	D12/110
D654,402	S	*	2/2012	Lambri	D12/110
D657,722	S	*	4/2012	Lambri	D12/110
D662,860	S	*	7/2012	Devernay	D12/110
D664,898	S	*	8/2012	Van Hooydonk	D12/110
D669,396	S	*	10/2012	Sawatsutipan	D12/110
D670,205	S	*	11/2012	Takakuwa	D12/110
D673,882	S	*	1/2013	Tartarini	D12/110
D678,128	S	*	3/2013	Lambri	D12/110
D678,129	S	*	3/2013	Kubota	D12/110
D680,911	S	*	4/2013	Wu	D12/110
D726,076	S	*	4/2015	Arai	D12/110
D729,124	S	*	5/2015	Lambri	D12/110
D729,699	S	*	5/2015	Lambri	D12/110
D730,246	S	*	5/2015	Tateishi	D12/110
D735,084	S	*	7/2015	Lambri	D12/110
D742,791	S	*	11/2015	Sanderson	D12/110
D761,699	S	*	7/2016	Watanabe	D12/110
9,457,869	B2	*	10/2016	Kashiwai	B62H 1/02
9,580,132	B2	*	2/2017	Yamamoto	B62K 21/02
9,592,878	B2	*	3/2017	Huang	B62H 5/02
D794,510	S	*	8/2017	Luke	D12/110
D806,610	S	*	1/2018	Su	D12/110
D814,362	S	*	4/2018	Mori	D12/114
D819,500	S	*	6/2018	Singh	D12/110
D826,100	S	*	8/2018	Milosevic	D12/110
D856,853	S	*	8/2019	Luke	D12/110
D874,984	S	*	2/2020	Luke	D12/110
D887,310	S	*	6/2020	McGinley	D12/117
D899,974	S	*	10/2020	Atahi	D12/110

* cited by examiner



Fig. 1

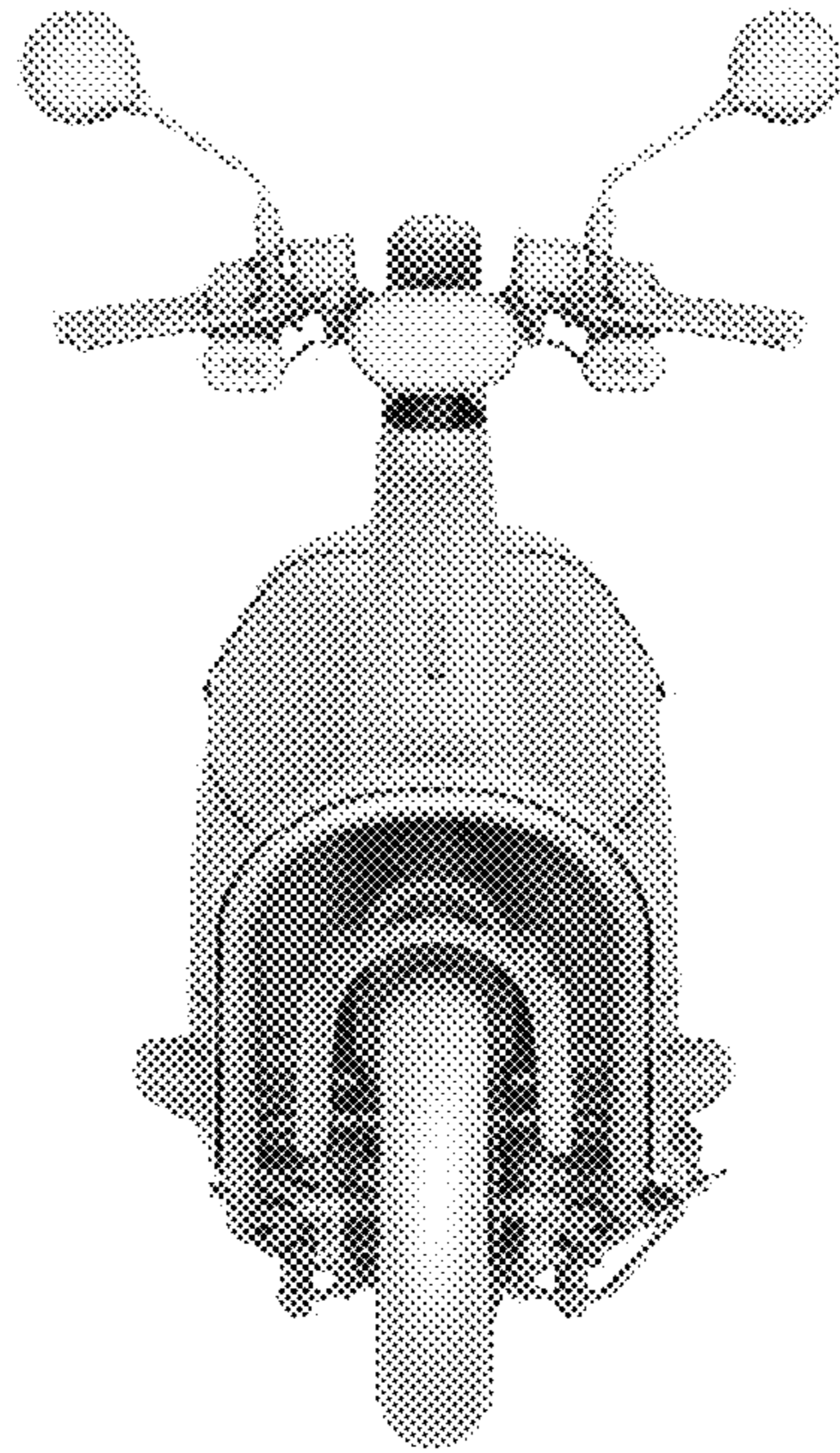


Fig. 2

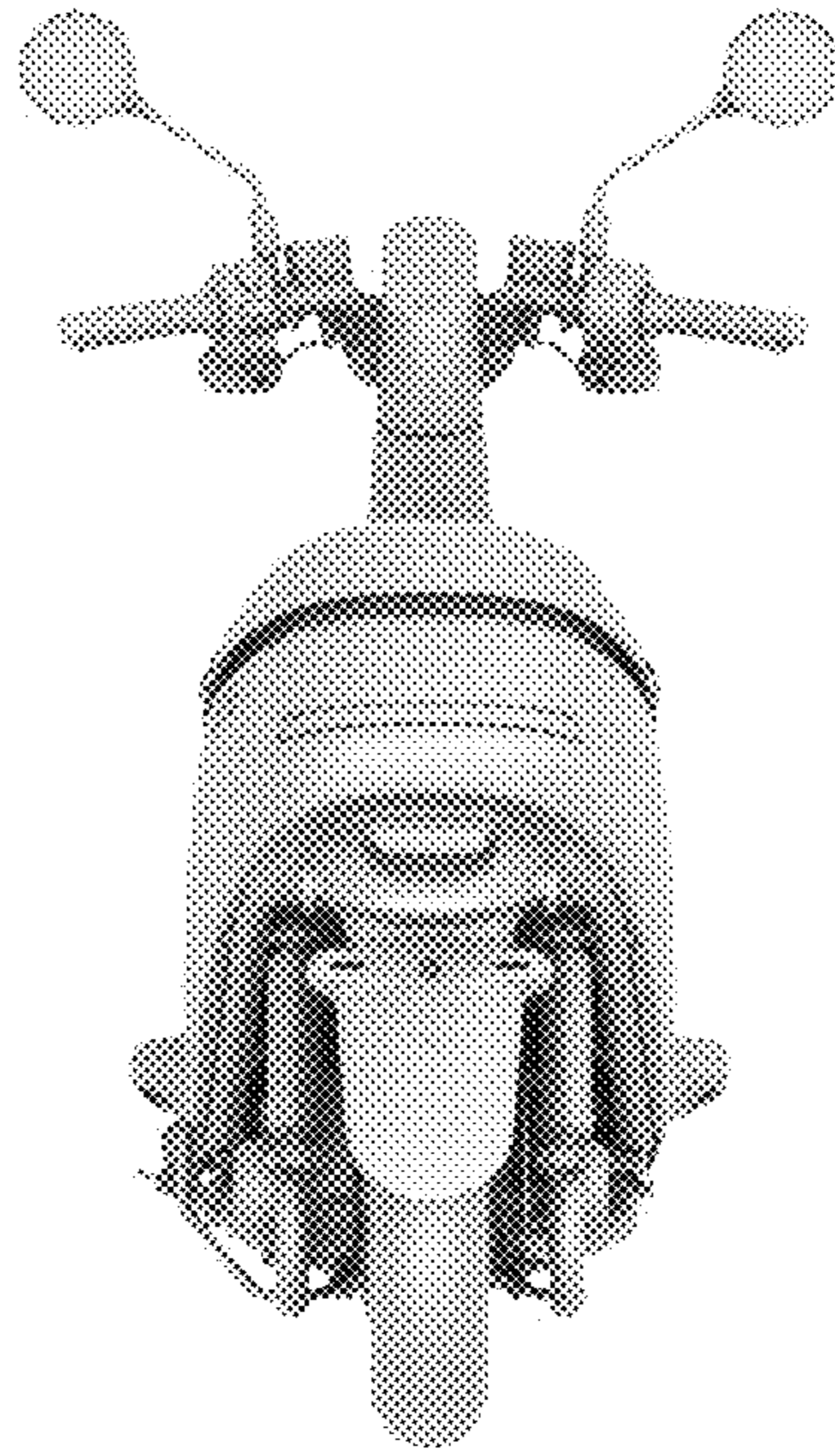


Fig. 3

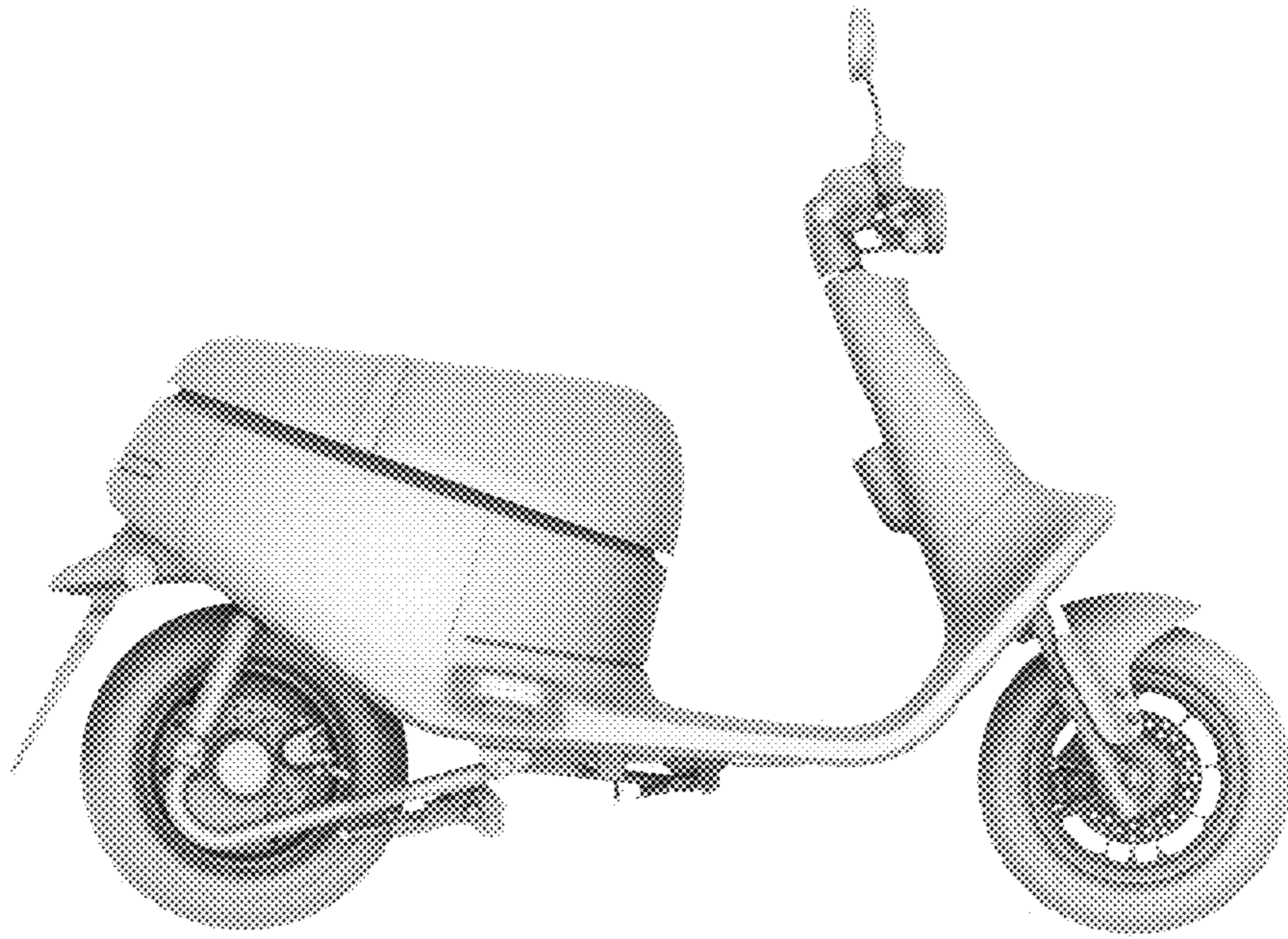


Fig. 4

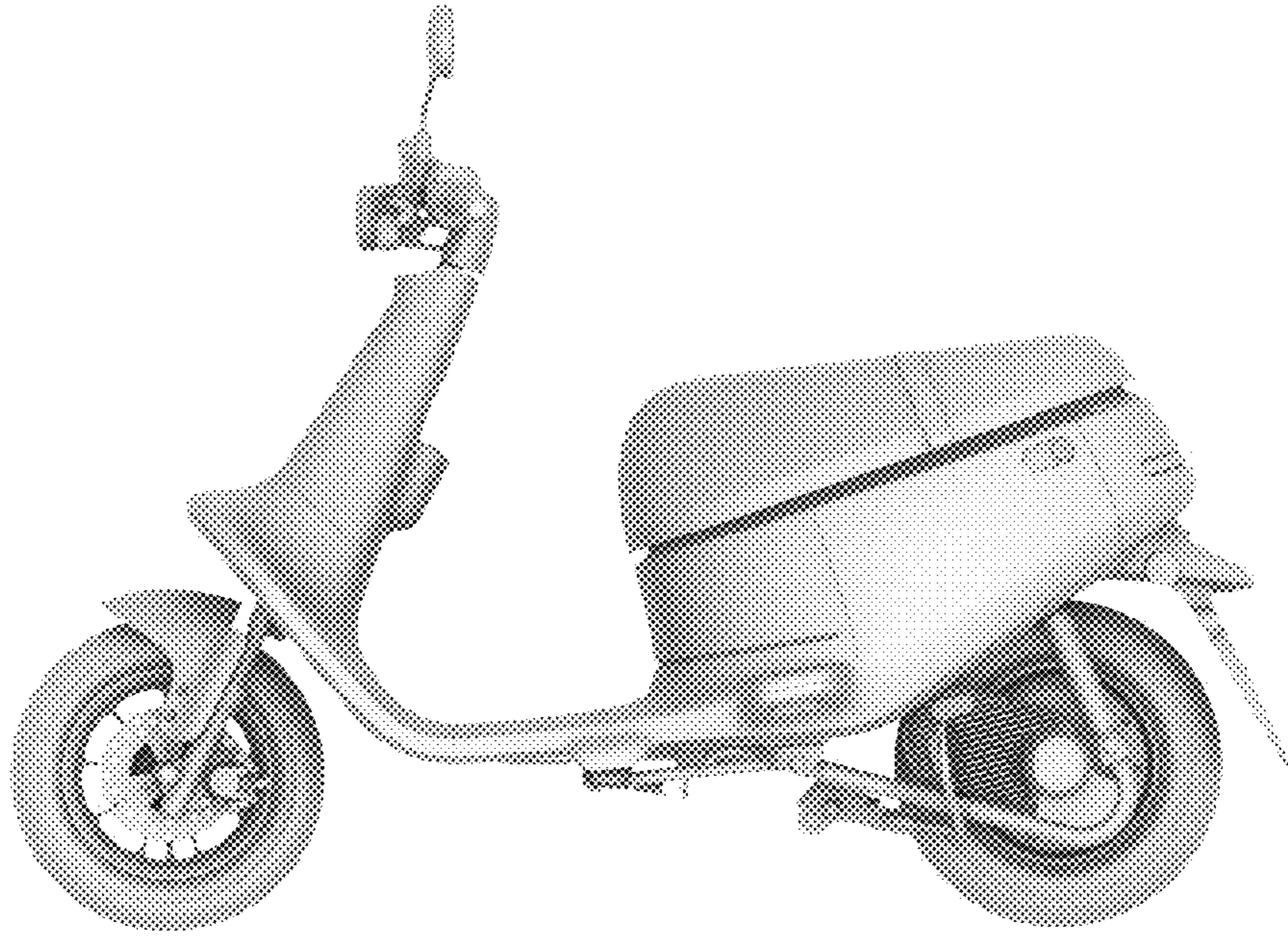


Fig. 5

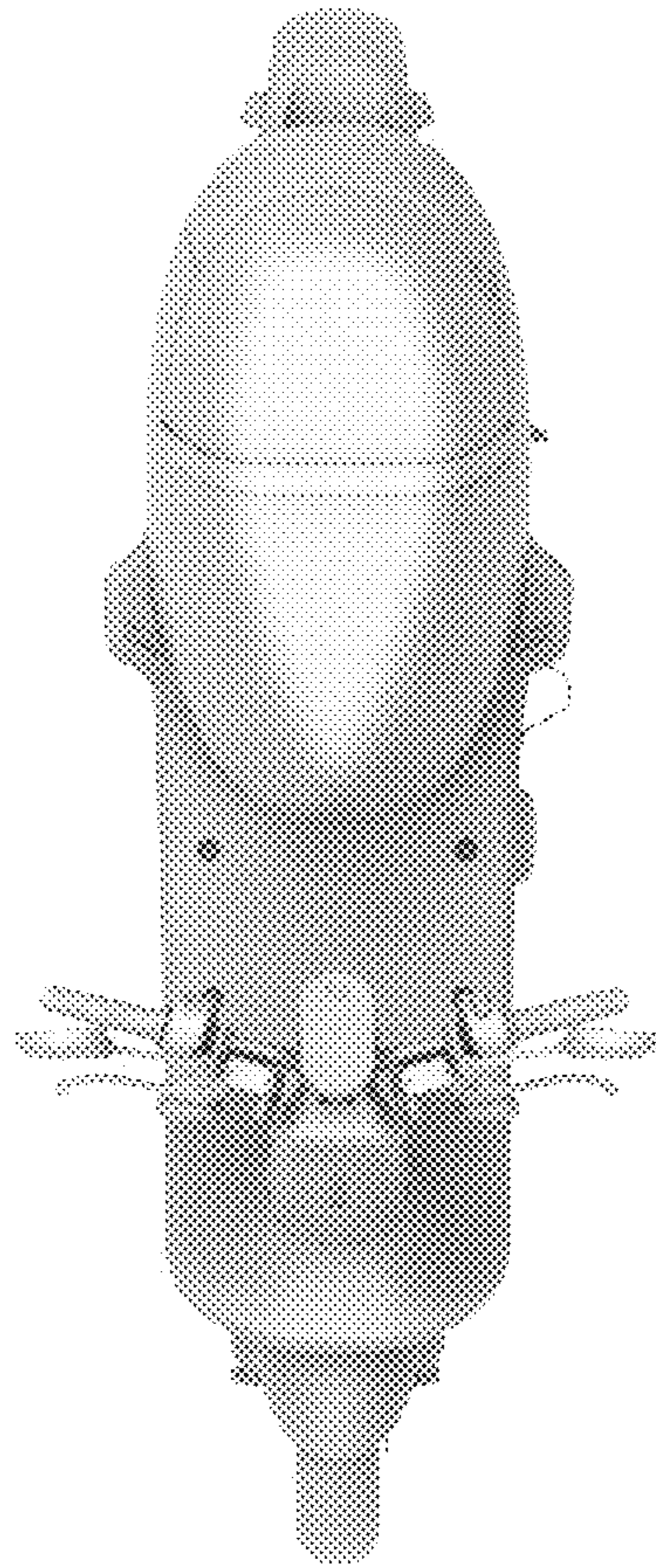


Fig. 6



Fig. 7



Fig. 8

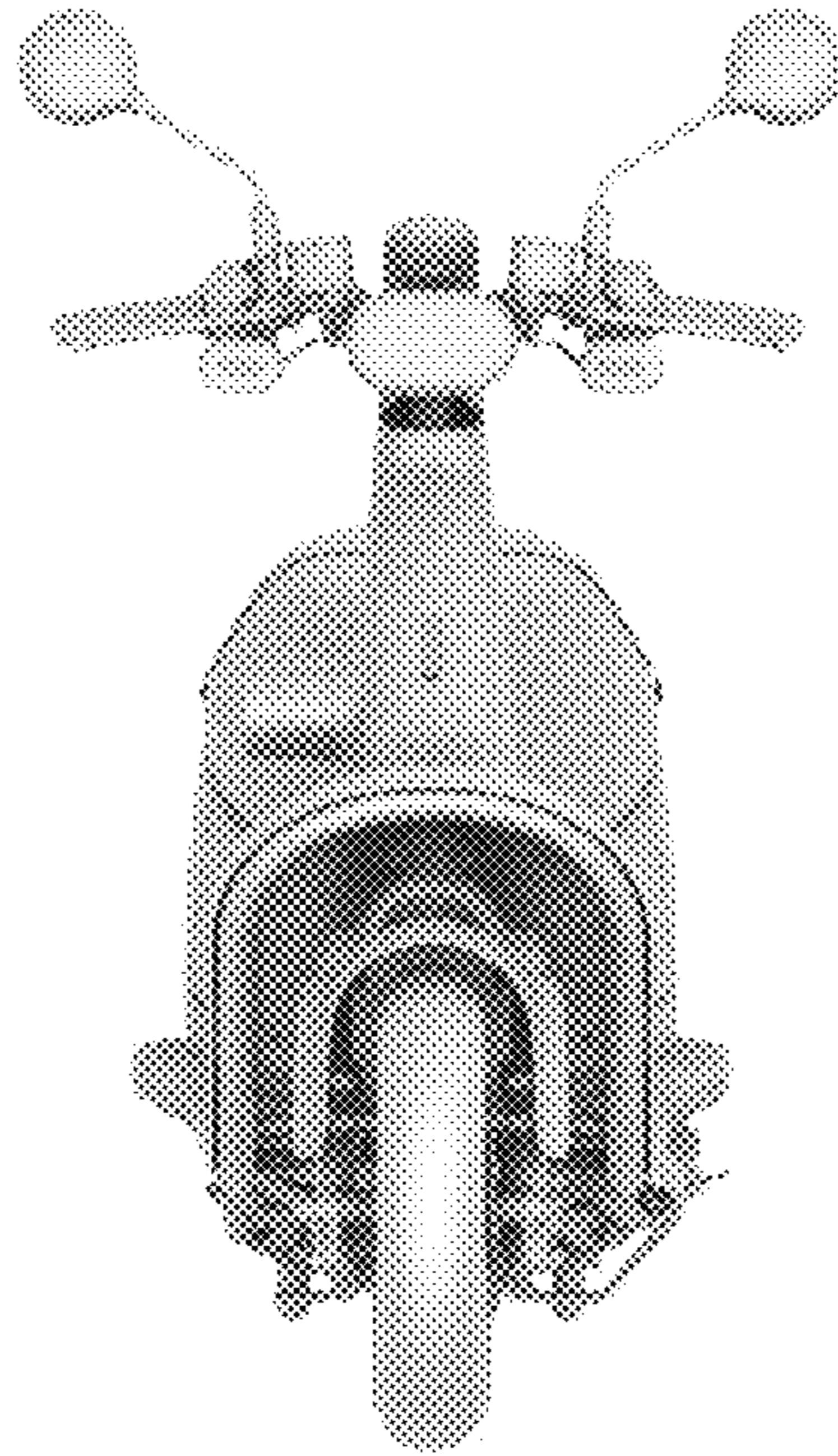


Fig. 9

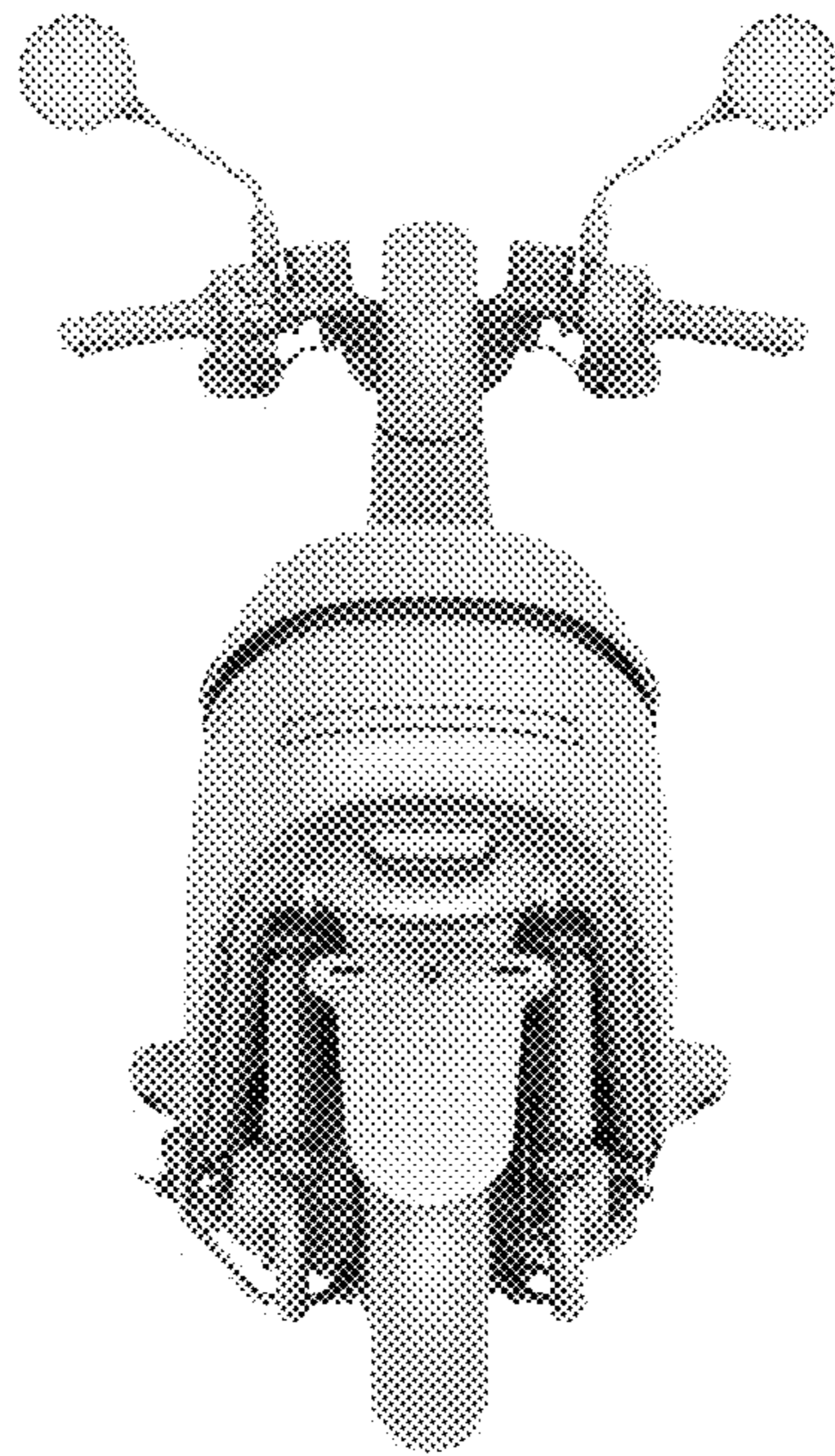


Fig. 10

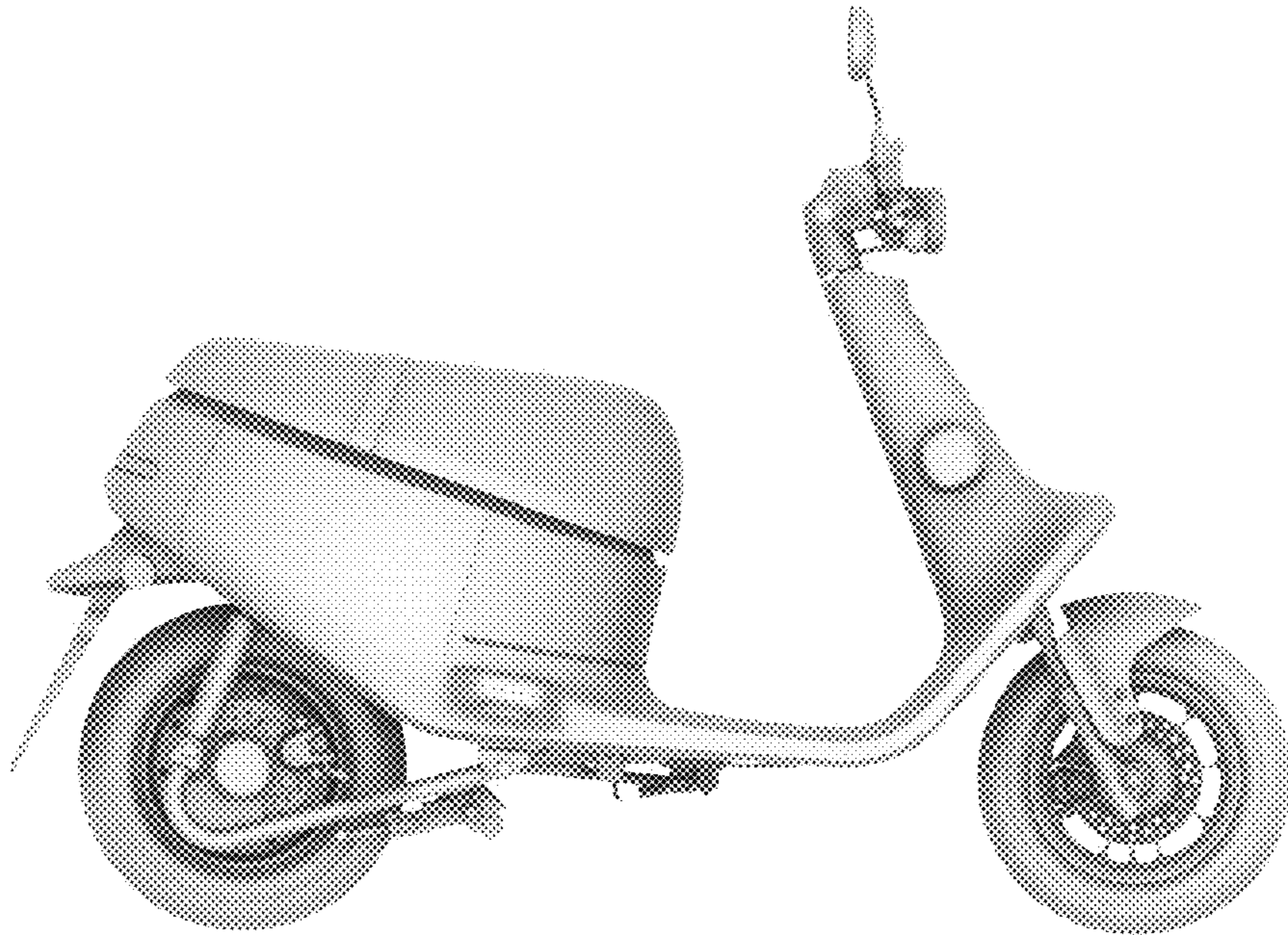


Fig. 11

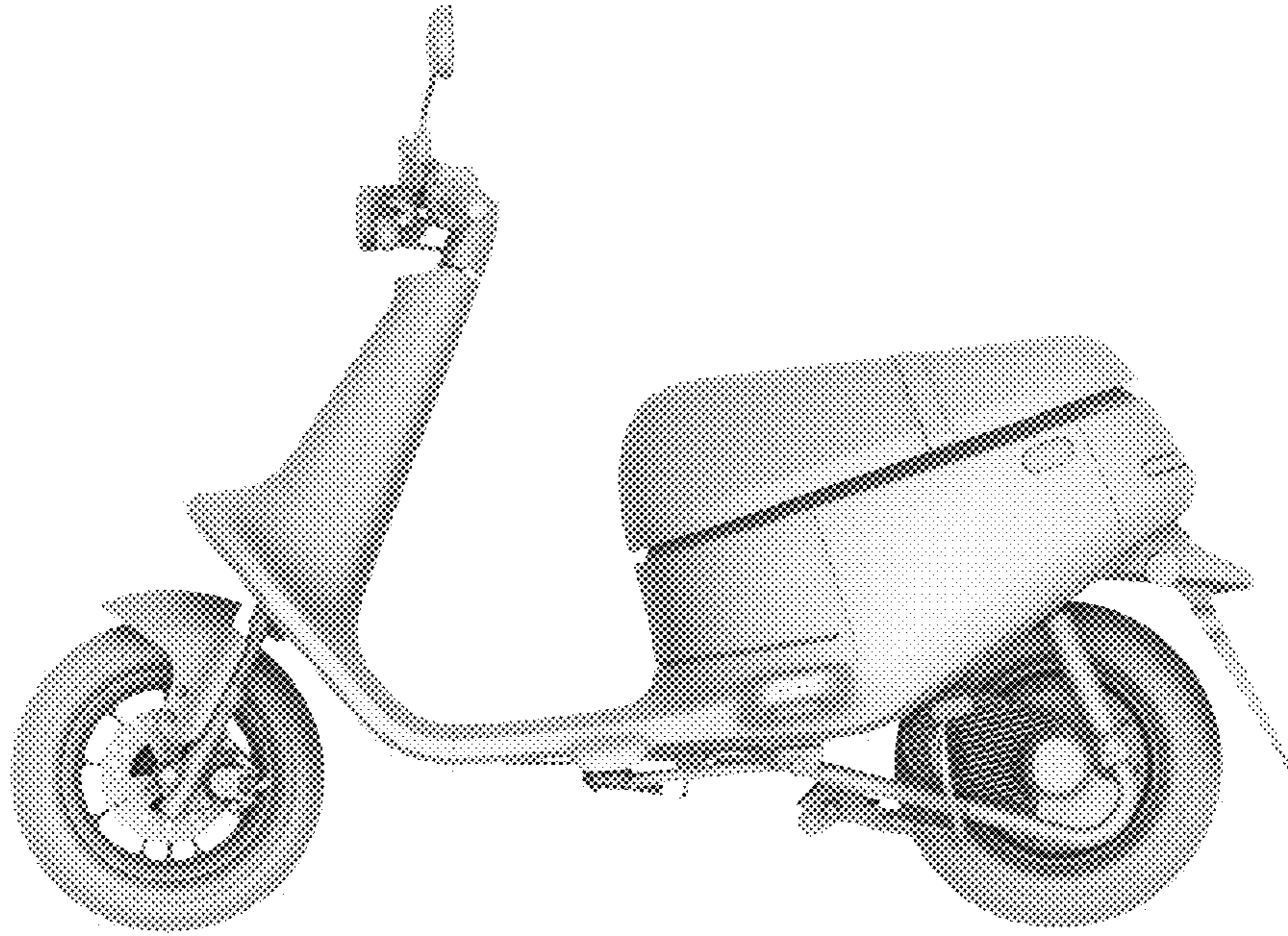


Fig. 12

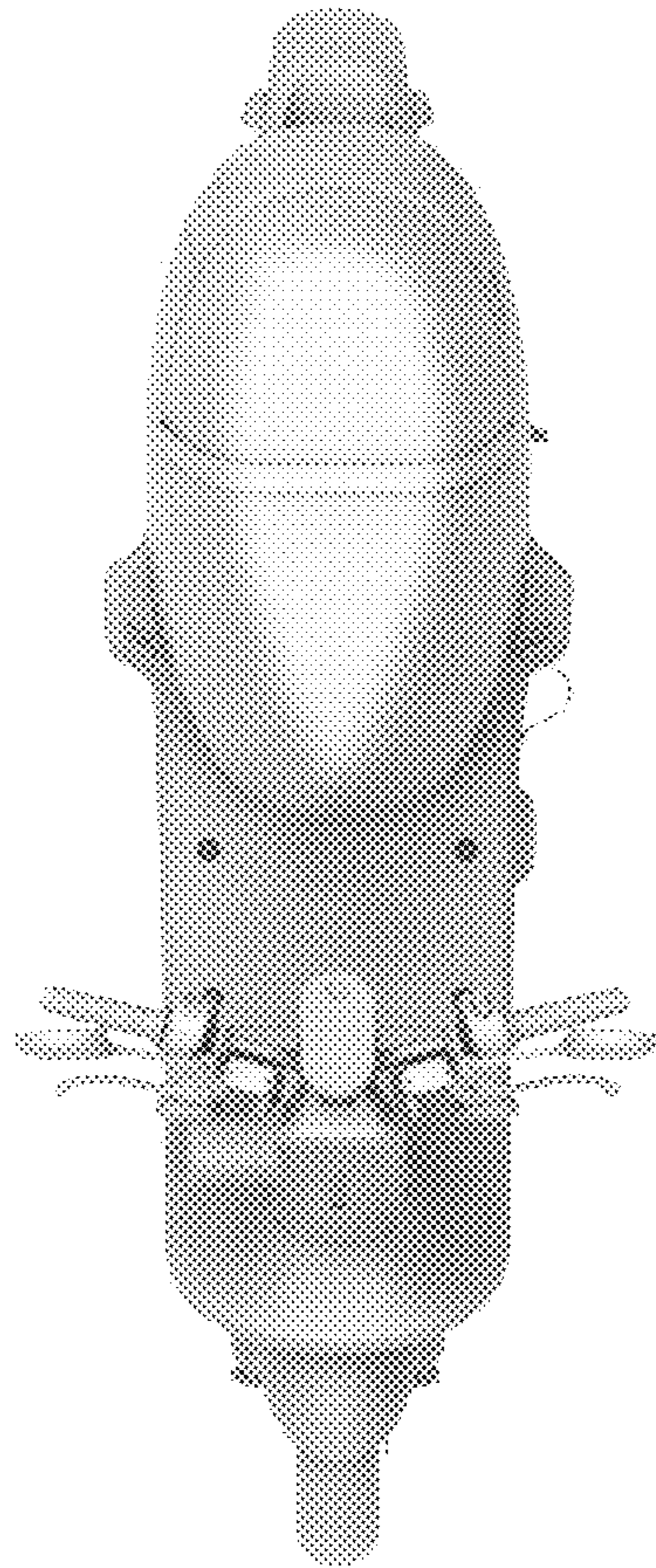


Fig. 13



Fig. 14