



US00D920164S

(12) **United States Design Patent** (10) **Patent No.:** **US D920,164 S**  
**Frascella et al.** (45) **Date of Patent:** **\*\* May 25, 2021**

- (54) **REAR END OF A VEHICLE**
- (71) Applicant: **Jaguar Land Rover Limited**, Whitley Coventry (GB)
- (72) Inventors: **Massimo Frascella**, Whitley Coventry (GB); **Robert Battams**, Whitley Coventry (GB); **Robin Austin**, Whitley Coventry (GB)
- (73) Assignee: **Jaguar Land Rover Limited**, Whitley Coventry (GB)
- (\*\*) Term: **15 Years**
- (21) Appl. No.: **29/740,758**
- (22) Filed: **Jul. 7, 2020**

**Related U.S. Application Data**

- (62) Division of application No. 29/682,248, filed on Mar. 4, 2019, now Pat. No. Des. 889,317, which is a division of application No. 29/591,390, filed on Jan. 19, 2017, now Pat. No. Des. 844,518.

**Foreign Application Priority Data**

- (30) Jul. 20, 2016 (EM) ..... 003313444-0003
- Jul. 20, 2016 (EM) ..... 003313444-0004
- Jul. 20, 2016 (EM) ..... 003313444-0005
- Jul. 20, 2016 (EM) ..... 003313444-0006
- Jul. 20, 2016 (EM) ..... 003313444-0007
- (51) **LOC (13) Cl.** ..... **12-08**
- (52) **U.S. Cl.**  
USPC ..... **D12/92**
- (58) **Field of Classification Search**  
CPC ..... E05B 81/56; E05B 81/80; E05B 65/00;  
E05B 65/06; E05B 65/10; E05B 65/12;  
E05B 79/06; B60J 5/04  
See application file for complete search history.

- (56) **References Cited**  
U.S. PATENT DOCUMENTS  
4,721,333 A \* 1/1988 Morio ..... B60R 19/38  
293/146  
7,488,022 B2 \* 2/2009 Belwafa ..... B62D 25/04  
296/187.13  
D726,615 S \* 4/2015 Wolff ..... D12/196  
9,403,562 B2 \* 8/2016 Fujii ..... B62D 35/00  
D769,153 S \* 10/2016 Fahr-Becker ..... D12/91  
9,637,175 B2 \* 5/2017 Bogachuk ..... B21D 7/00  
(Continued)

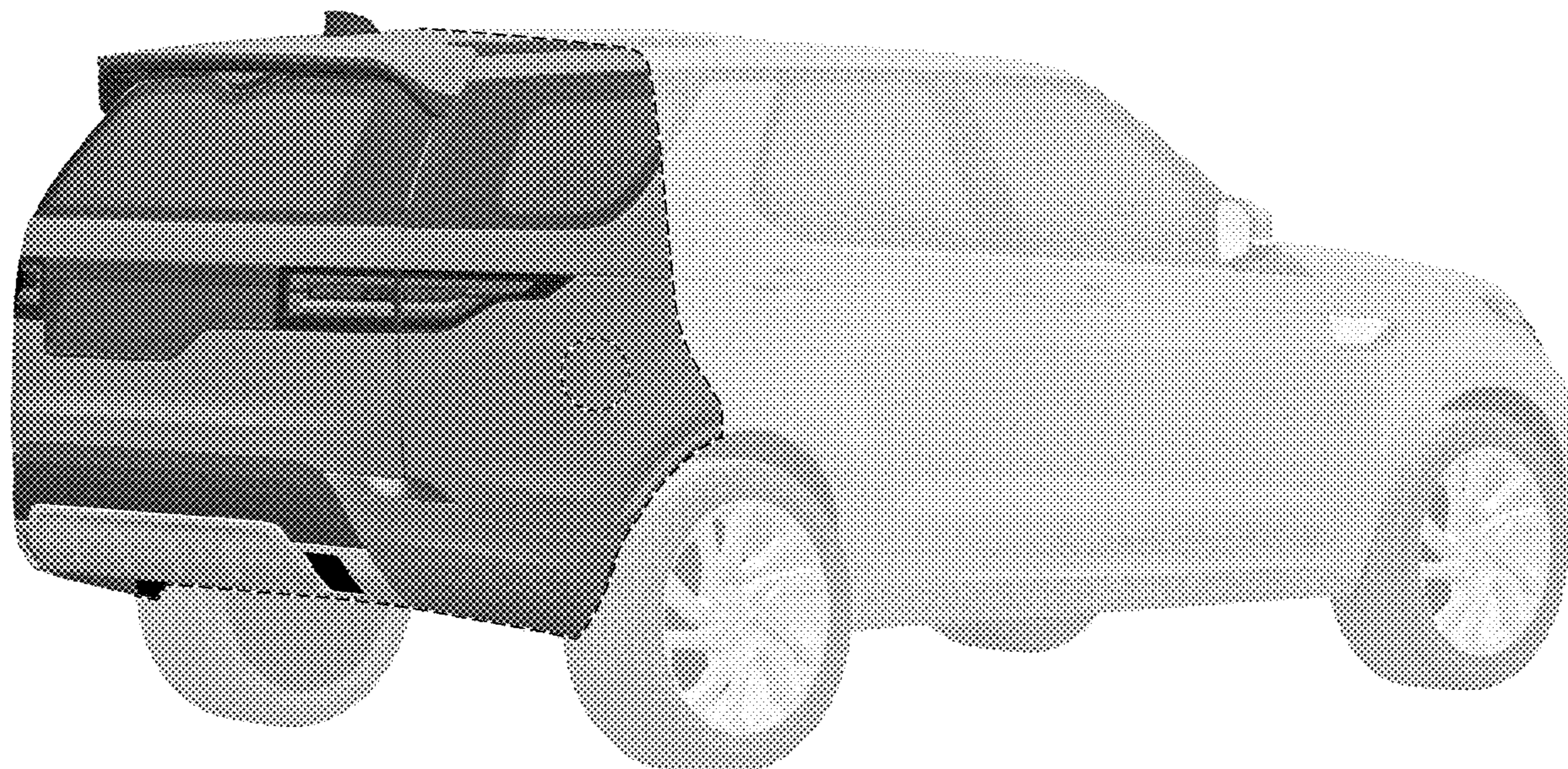
*Primary Examiner* — Brett Miller  
*Assistant Examiner* — Suzanne E Tisdell  
 (74) *Attorney, Agent, or Firm* — Wood Herron & Evans LLP

- (57) **CLAIM**  
The ornamental design for a rear end of a vehicle, as shown and described.

**DESCRIPTION**

FIG. 1 is a front right perspective view of a rear end of a vehicle according to the present invention.  
 FIG. 2 is a front left perspective view thereof.  
 FIG. 3 is a rear left perspective view thereof.  
 FIG. 4 is a rear right perspective view thereof.  
 FIG. 5 is a front view thereof.  
 FIG. 6 is a right side view thereof.  
 FIG. 7 is a left side view thereof; and,  
 FIG. 8 is a top view thereof.  
 In all of the Figures the claimed design is shown within the larger broken line. The rest of the vehicle located outside of the larger broken line, in half tones, is included to show environment. The smaller broken line shown in FIGS. 1, 4, and 6, forms no part of the claimed design, but is included to show environment, in this case a gas tank cover.

**1 Claim, 8 Drawing Sheets**



(56)

**References Cited**

U.S. PATENT DOCUMENTS

|              |         |                  |         |
|--------------|---------|------------------|---------|
| D797,632 S * | 9/2017  | Zipfel .....     | D12/196 |
| D803,123 S * | 11/2017 | Granlund .....   | D12/196 |
| D805,985 S * | 12/2017 | Nakamura .....   | D12/196 |
| D811,302 S * | 2/2018  | Piscitelli ..... | D12/196 |
| D820,183 S * | 6/2018  | Gueler .....     | D12/196 |

\* cited by examiner

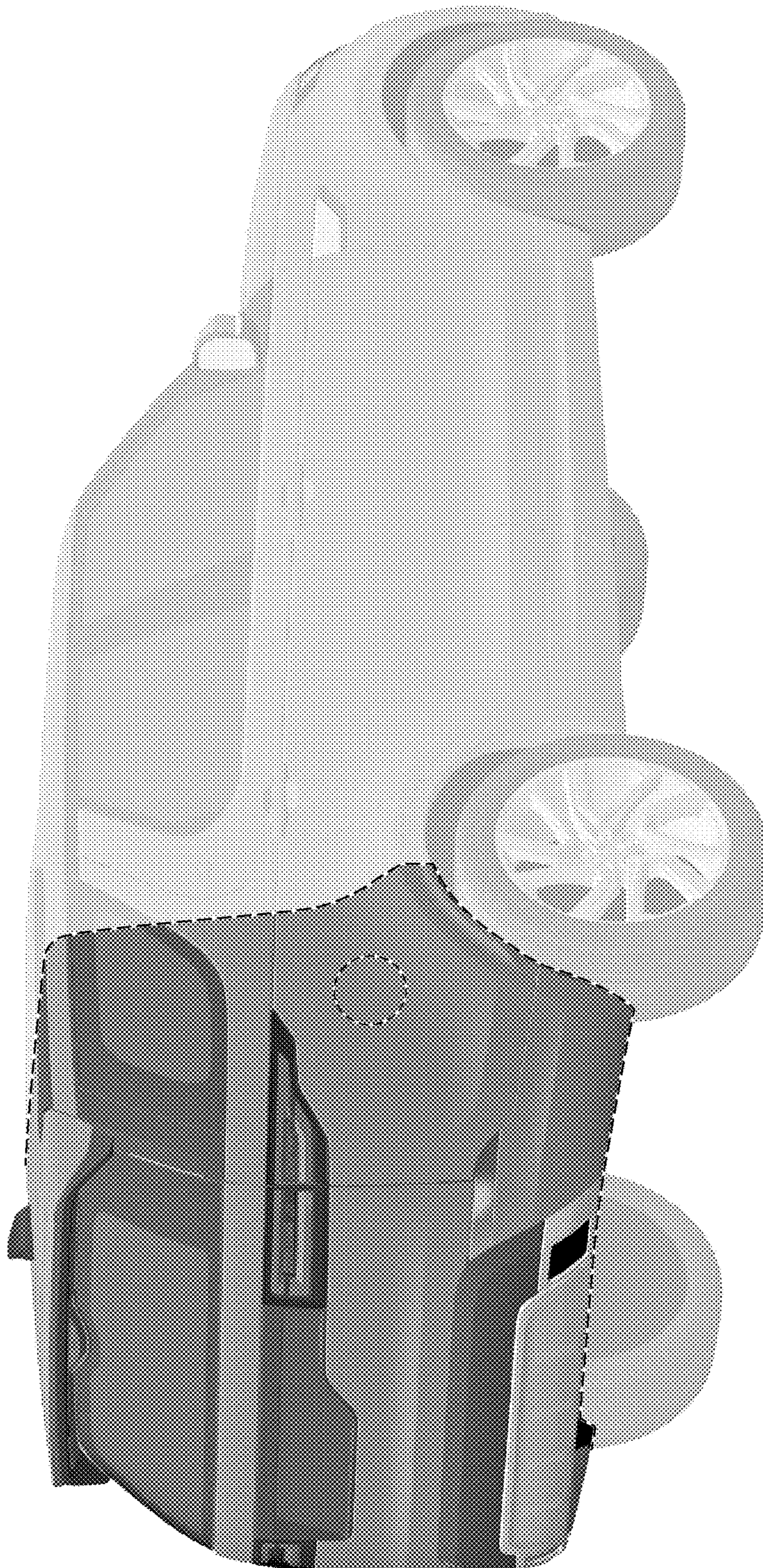


FIG. 1

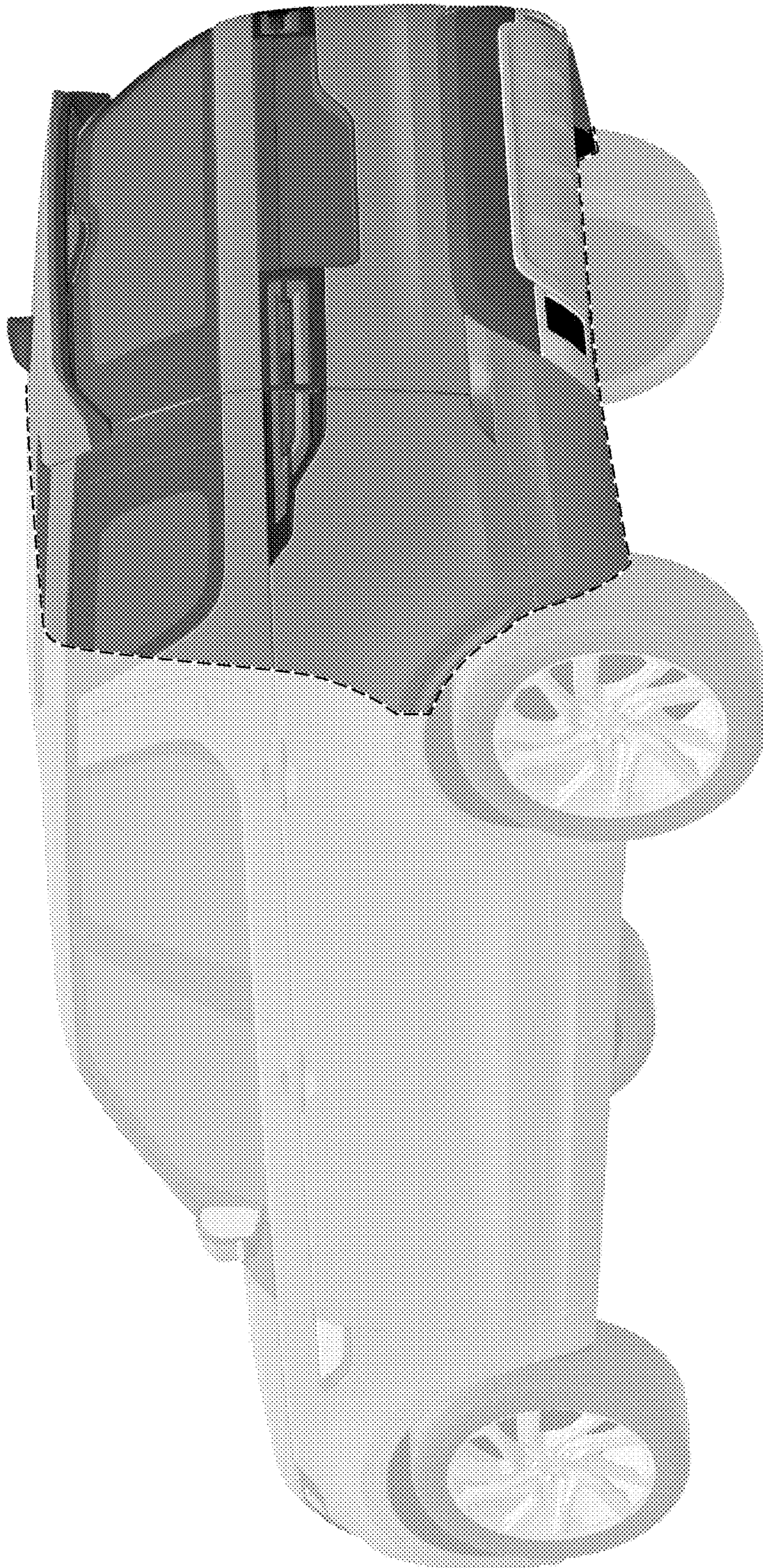


FIG. 2

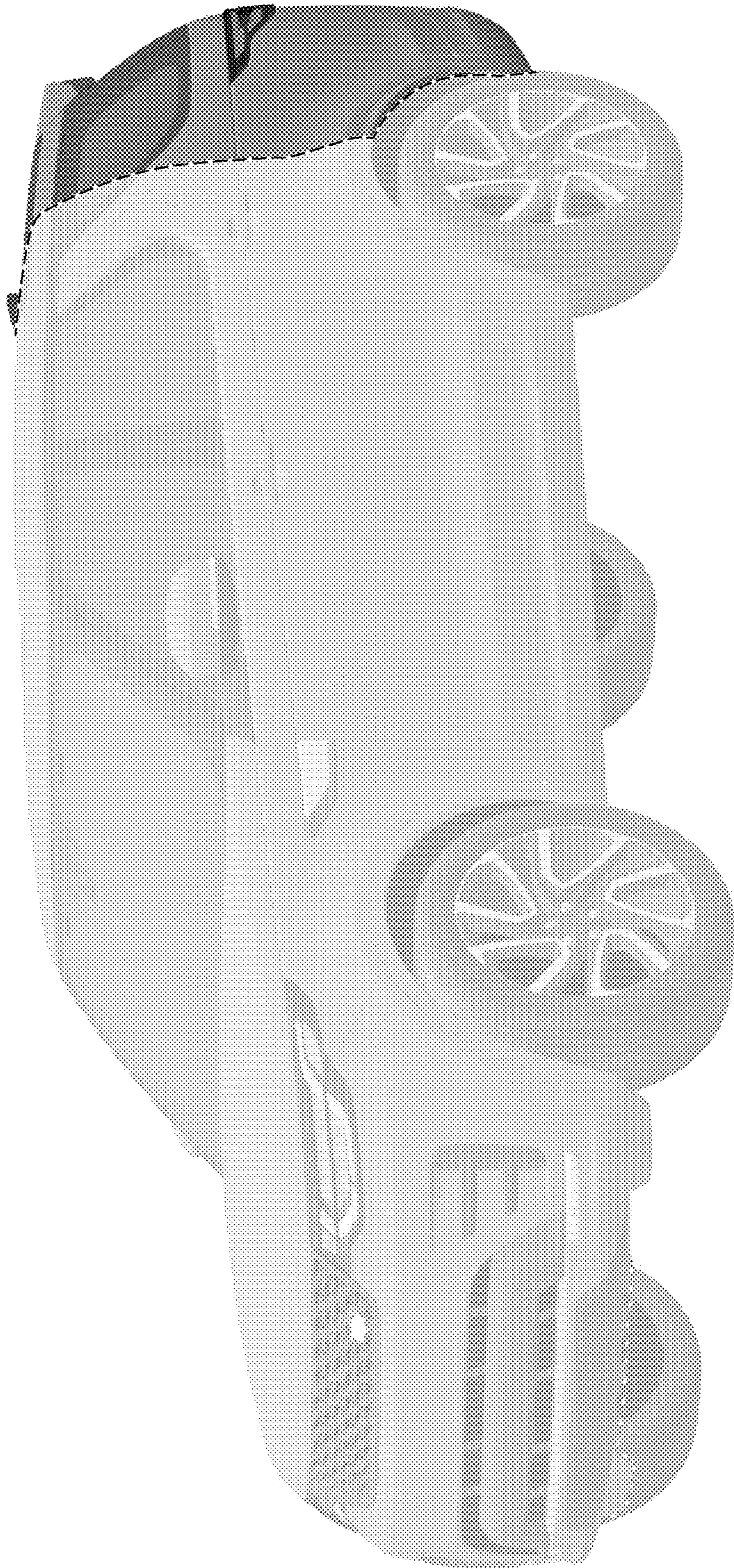


FIG. 3

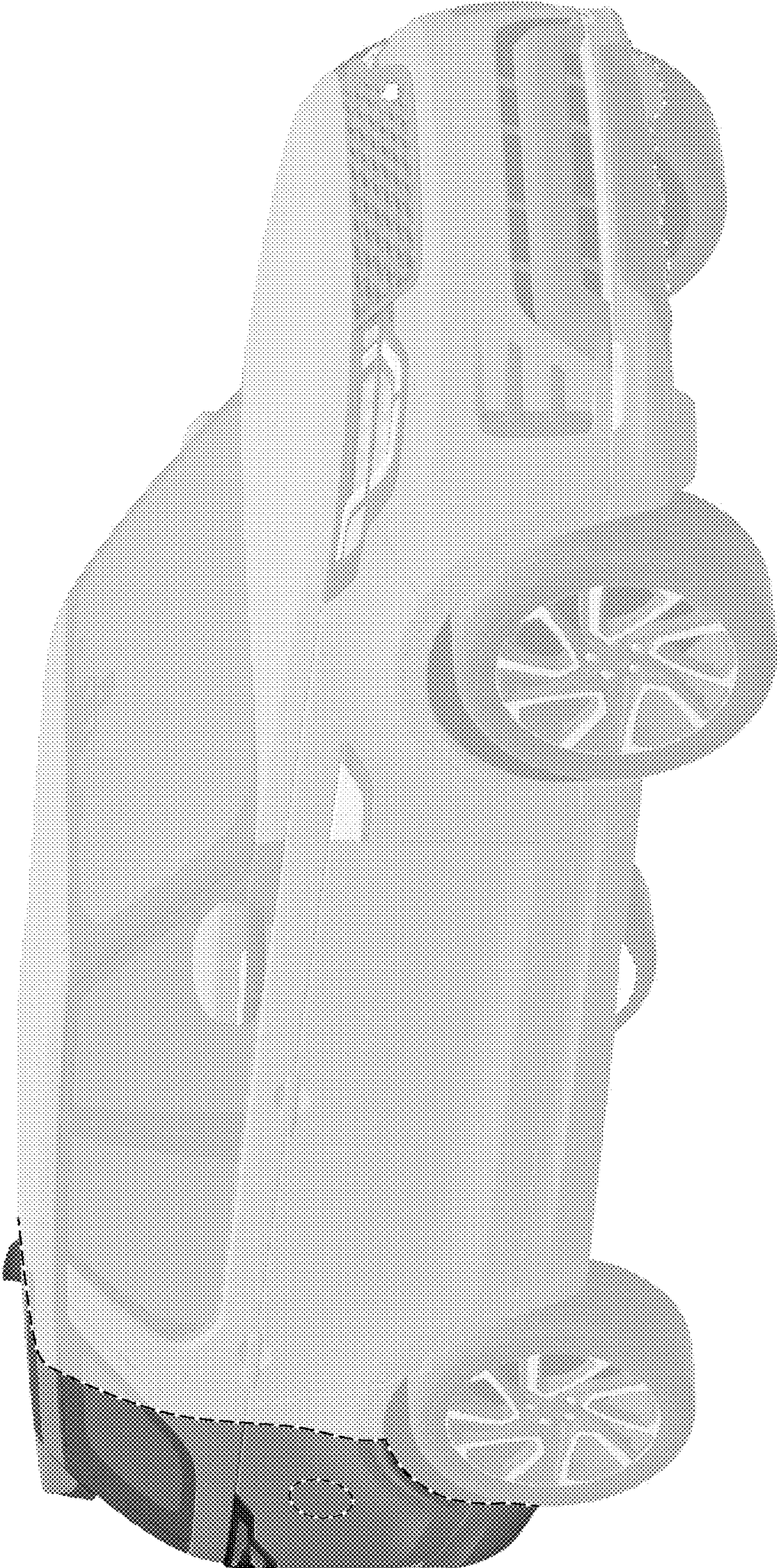


FIG. 4

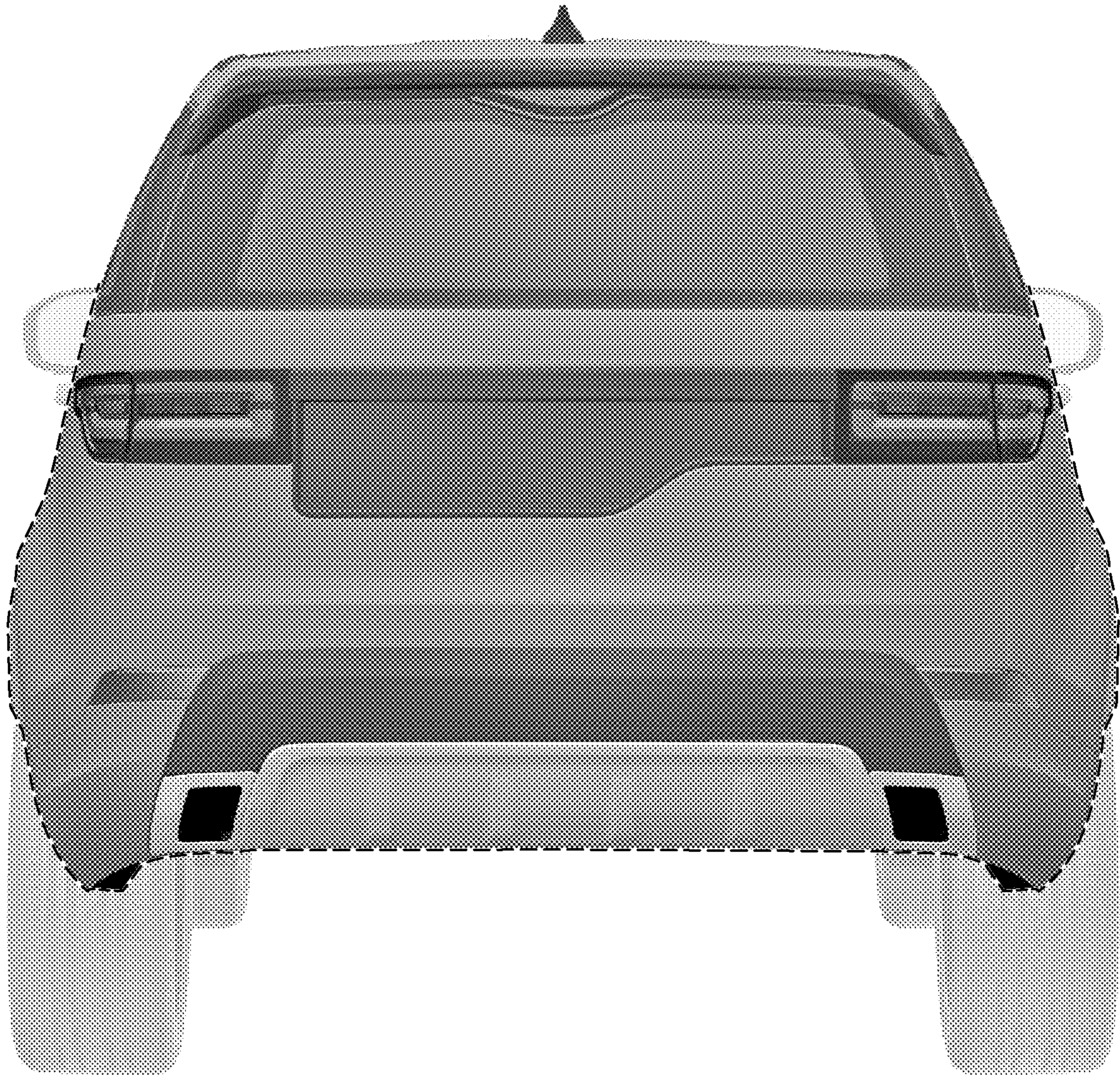


FIG. 5

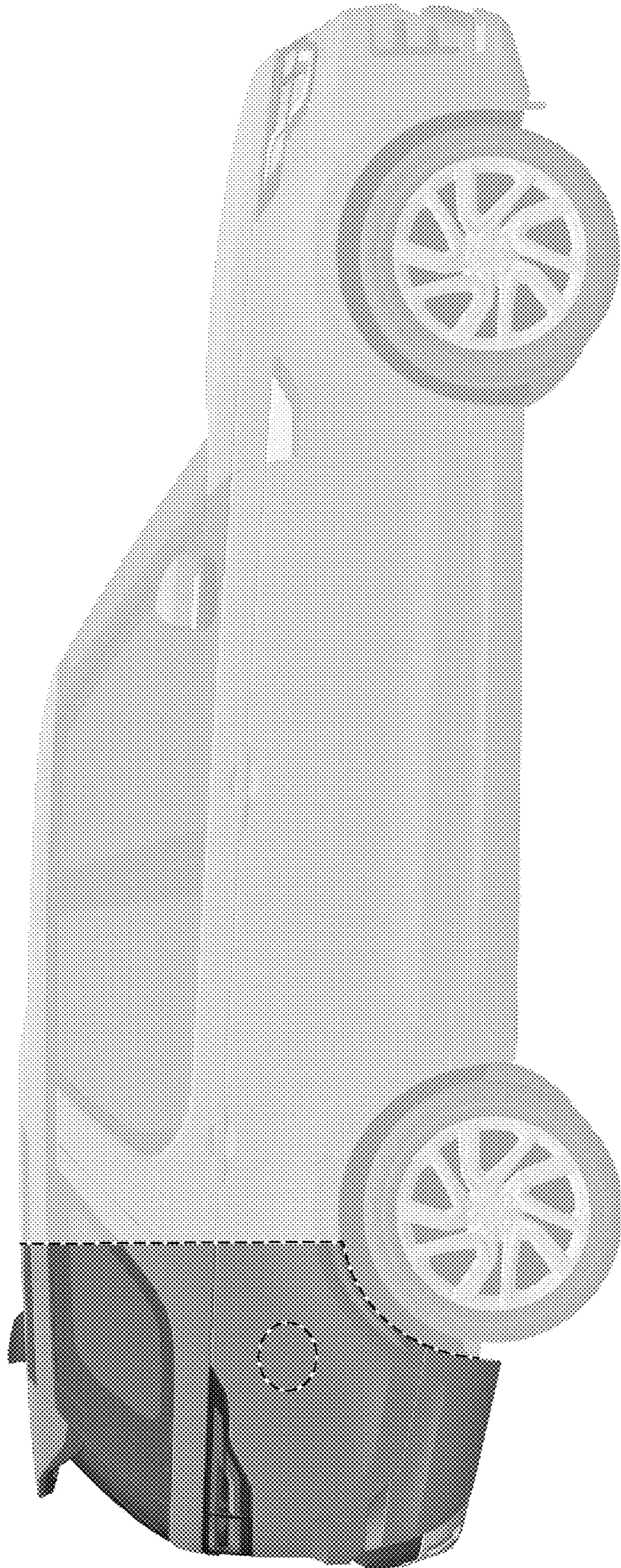


FIG. 6



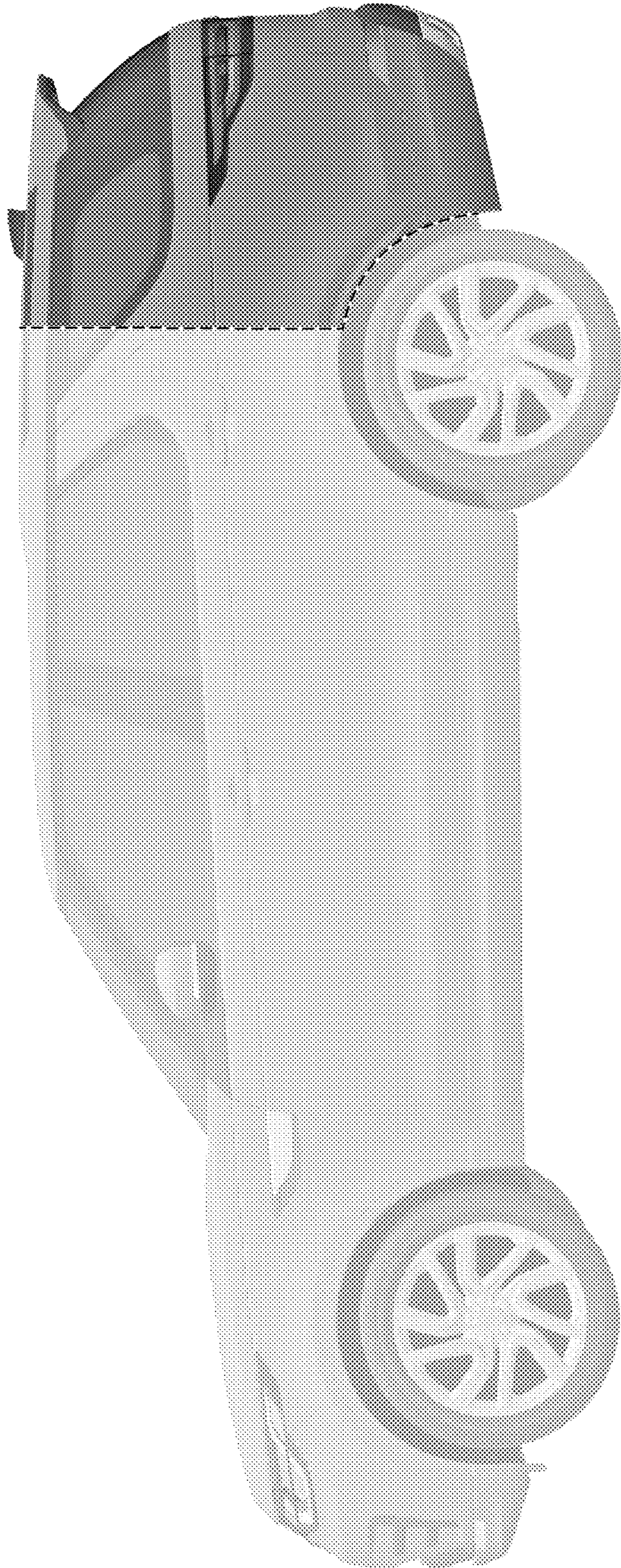


FIG. 7

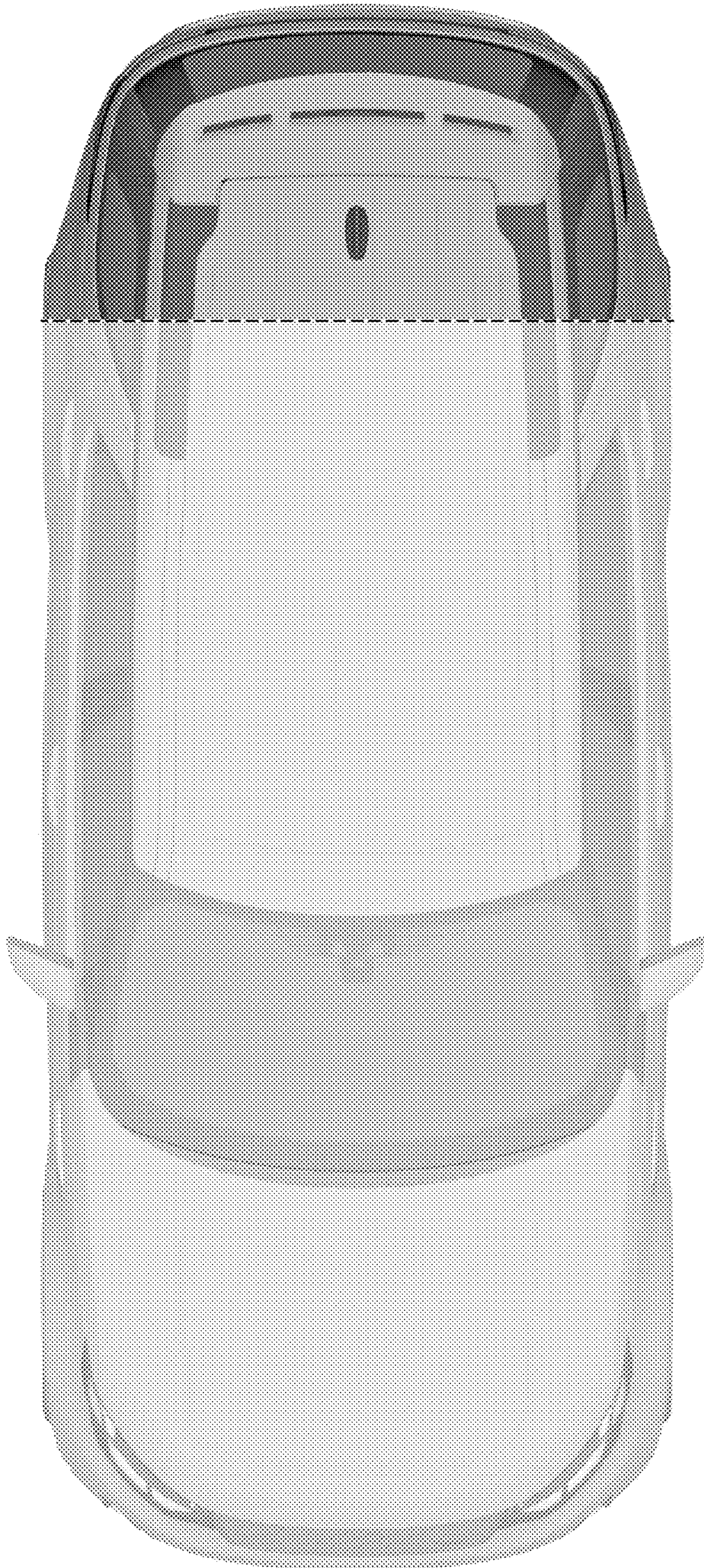


FIG. 8

UNITED STATES PATENT AND TRADEMARK OFFICE  
**CERTIFICATE OF CORRECTION**

PATENT NO. : D920,164 S  
APPLICATION NO. : 29/740758  
DATED : May 25, 2021  
INVENTOR(S) : Massimo Frascella et al.

Page 1 of 1

It is certified that error appears in the above-identified patent and that said Letters Patent is hereby corrected as shown below:

On the Title Page

Item (57) Column 2, "Description" is missing text, it should include the following sentence. --In FIGS. 1-8, the description is given from the perspective of a person viewing the rear of the vehicle, from behind the vehicle--

Signed and Sealed this  
Thirty-first Day of August, 2021



Drew Hirshfeld  
*Performing the Functions and Duties of the  
Under Secretary of Commerce for Intellectual Property and  
Director of the United States Patent and Trademark Office*