



US00D920161S

(12) **United States Design Patent** (10) **Patent No.:** **US D920,161 S**
Li et al. (45) **Date of Patent:** **** May 25, 2021**

(54) **CAR**

(56) **References Cited**

(71) Applicant: **SUZHOU GOLDEN RIDGE INTELLIGENCE SCIENCE & TECHNOLOGY CO., LTD.**, Suzhou (CN)

U.S. PATENT DOCUMENTS

D197,706 S * 3/1964 Saporito D12/85
D209,579 S * 12/1967 Gurr D12/1
D428,425 S * 7/2000 Ratcliffe D12/14
D483,079 S * 12/2003 Wang D21/425
D794,508 S * 8/2017 Watanuki D12/86
2020/0062123 A1 * 2/2020 Harvey B60L 53/14

(72) Inventors: **Jiaxin Li**, Chengdu (CN); **Weirong Liu**, Beijing (CN); **Yin Jiao**, Gothenburg (SE); **Xiangguo Meng**, Suzhou (CN); **Li Yan**, Gothenburg (SE)

OTHER PUBLICATIONS

Golden Ridge—The Techno Creatives, www.technocreatives.com [online]. Published on or before Jun. 20, 2020, [retrieved on Jun. 20, 2020]. Retrieved from the Internet: <URL:<https://www.technocreatives.com/projects/golden-ridge>> (Year: 2020).*

(73) Assignee: **SUZHOU GOLDEN RIDGE INTELLIGENCE SCIENCE & TECHNOLOGY CO., LTD.**, Suzhou (CN)

* cited by examiner

(**) Term: **15 Years**

Primary Examiner — Karen E Kearney

Assistant Examiner — Adam C Mager

(21) Appl. No.: **29/674,274**

(74) *Attorney, Agent, or Firm* — Metis IP LLC

(22) Filed: **Dec. 20, 2018**

(57) **CLAIM**

The ornamental design for a car, as shown and described.

(30) **Foreign Application Priority Data**

DESCRIPTION

Nov. 28, 2018 (CN) 201830682177.3

(51) **LOC (13) Cl.** **12-08**

(52) **U.S. Cl.**
USPC **D12/86**

(58) **Field of Classification Search**
USPC D12/1, 7-9, 21, 14-16, 82, 85-93, D12/96-100; D21/433, 533, 539, 550, D21/552, 564, 579-581; D15/24, 28, 199
CPC .. B60W 10/105; B60W 10/14; B60W 10/119; B60K 2031/0016; B60K 7/0007; B62M 2027/022; B62D 55/04

FIG. 1 is a perspective view of a car showing our new design;

FIG. 2 is a front view thereof;

FIG. 3 is a rear view thereof;

FIG. 4 is a left view thereof;

FIG. 5 is a right view thereof;

FIG. 6 is a top view thereof; and,

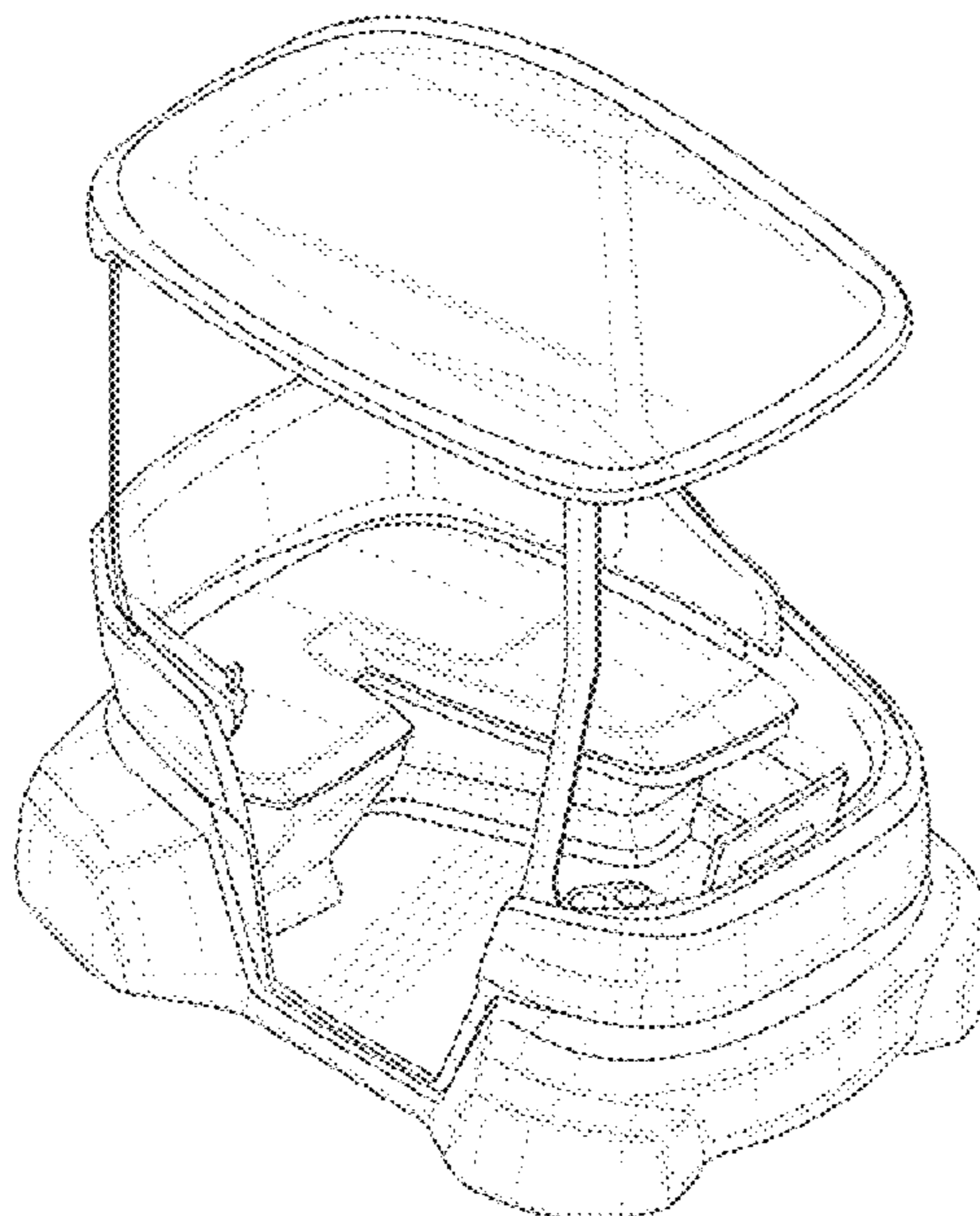
FIG. 7 is a bottom view thereof.

The broken lines depict portions of the car that form no part of the claimed design.

The shade lines in the Figures show contour and not surface ornamentation.

See application file for complete search history.

1 Claim, 7 Drawing Sheets



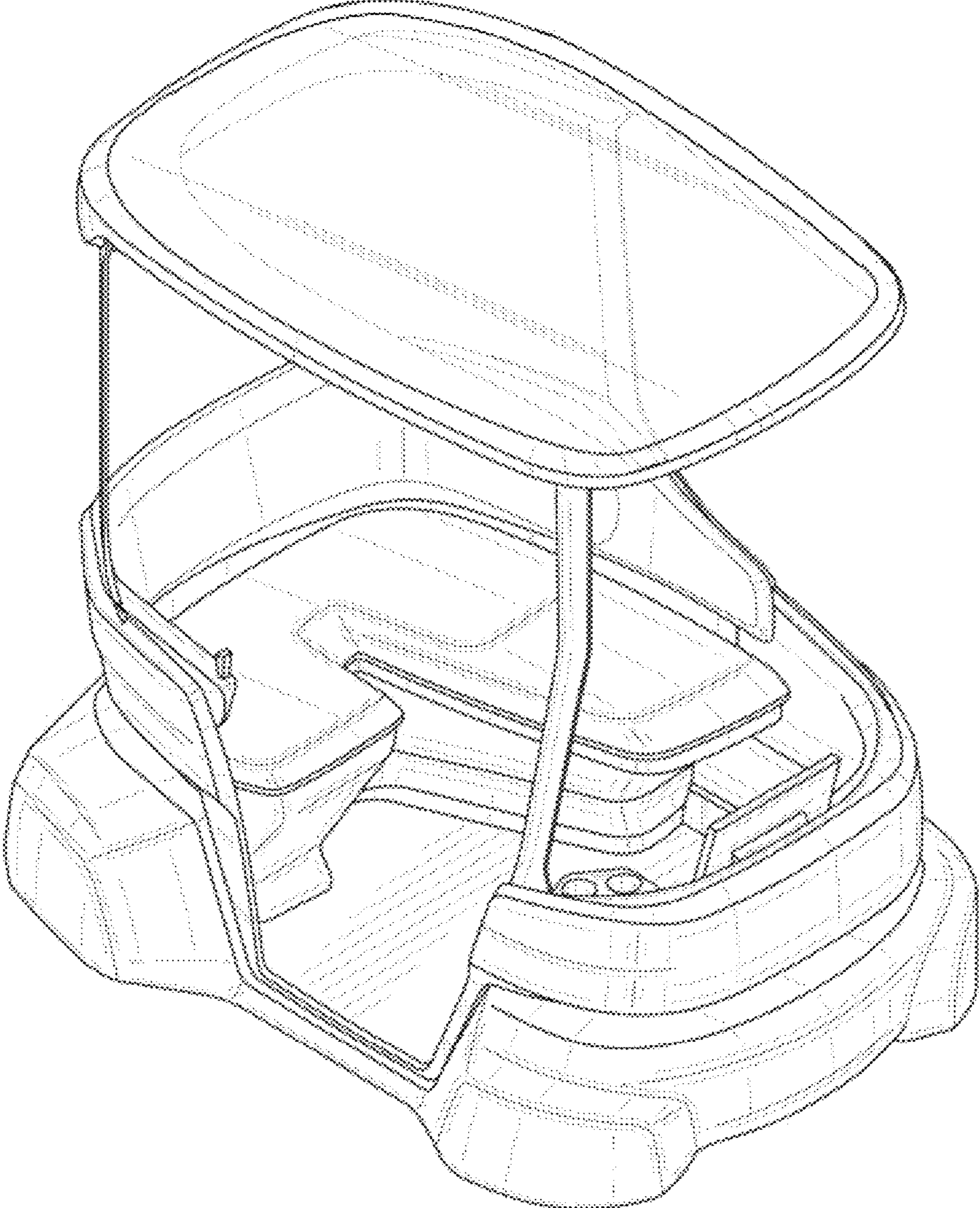


FIG. 1

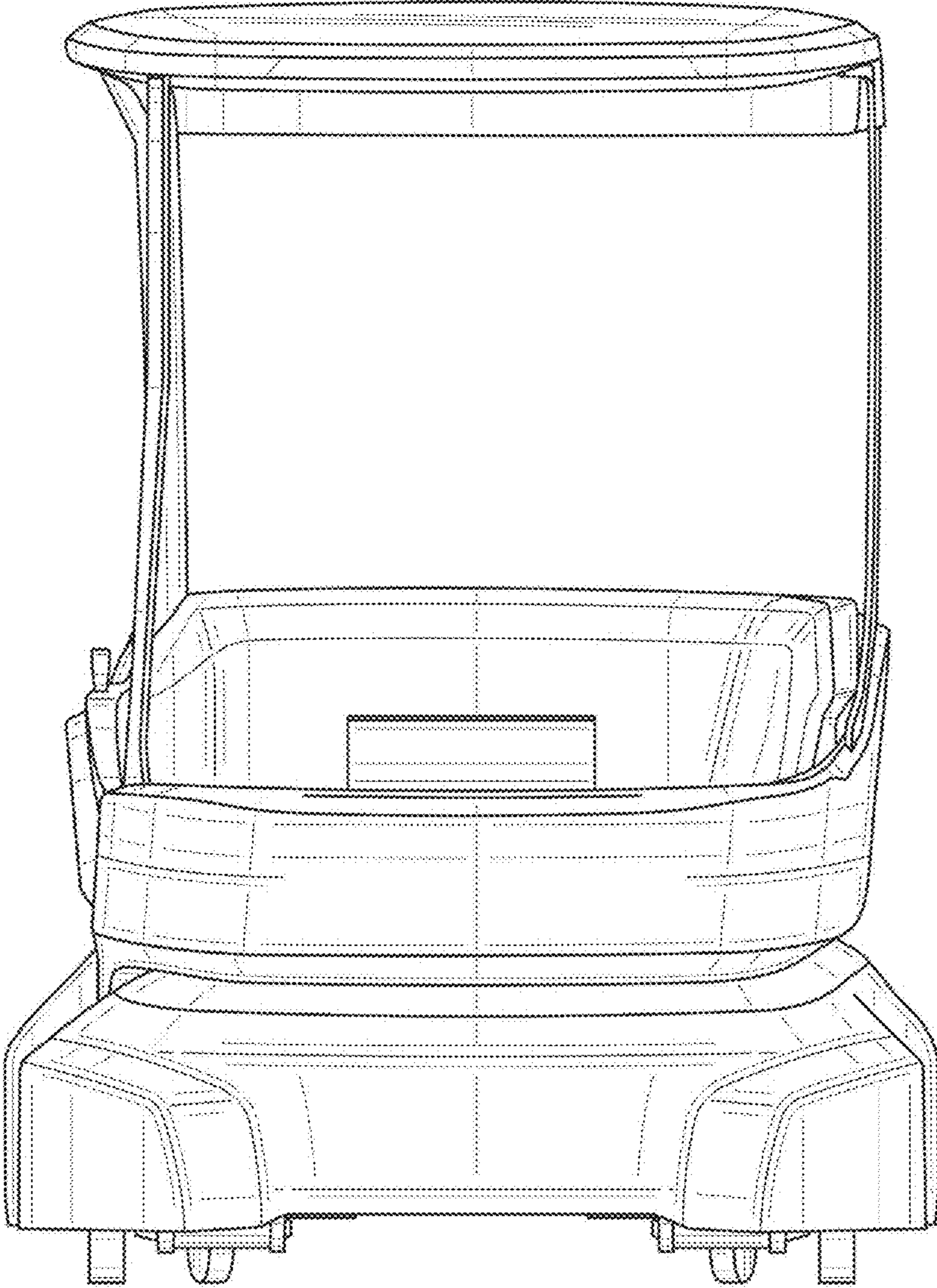


FIG. 2

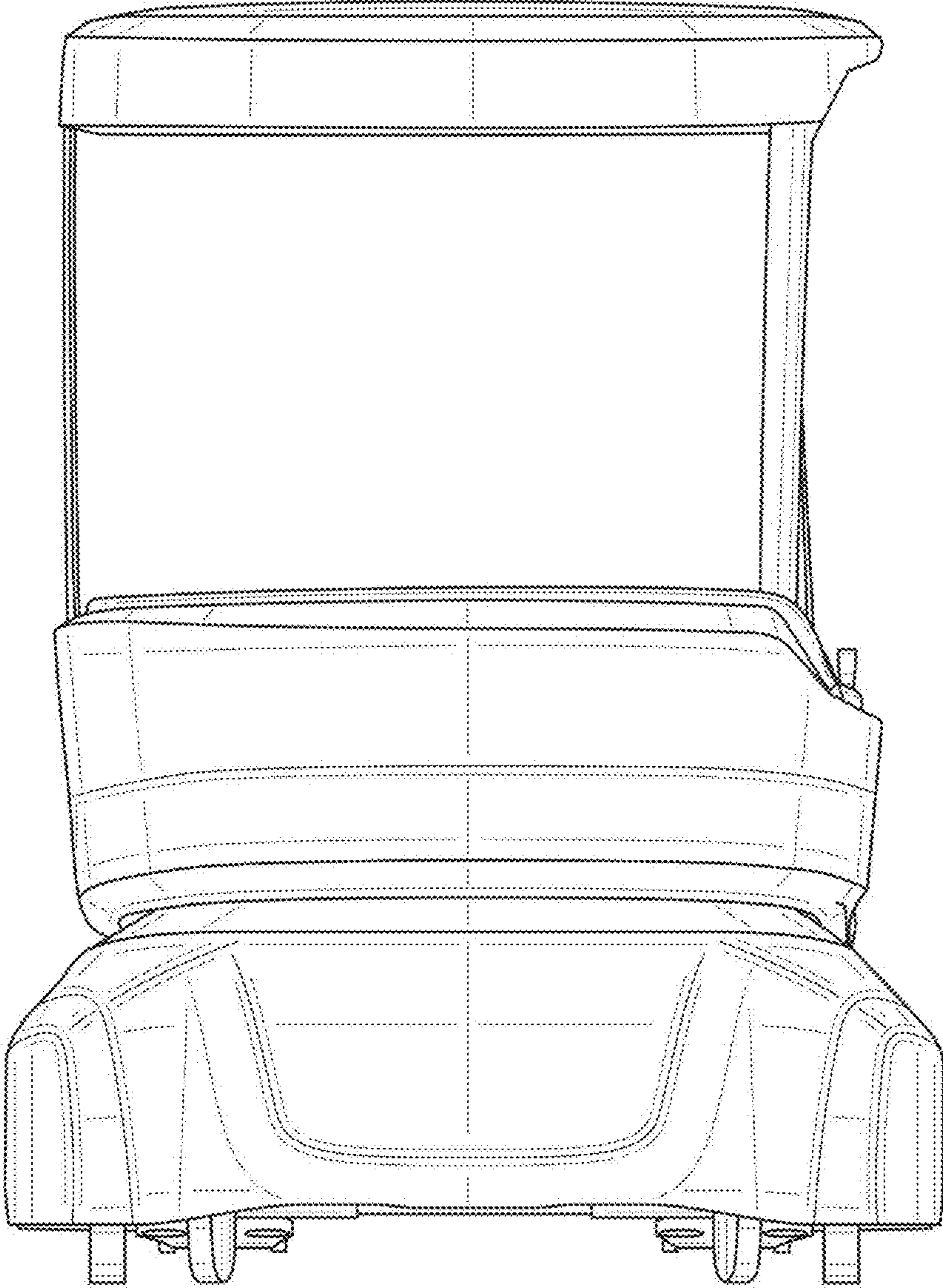


FIG. 3

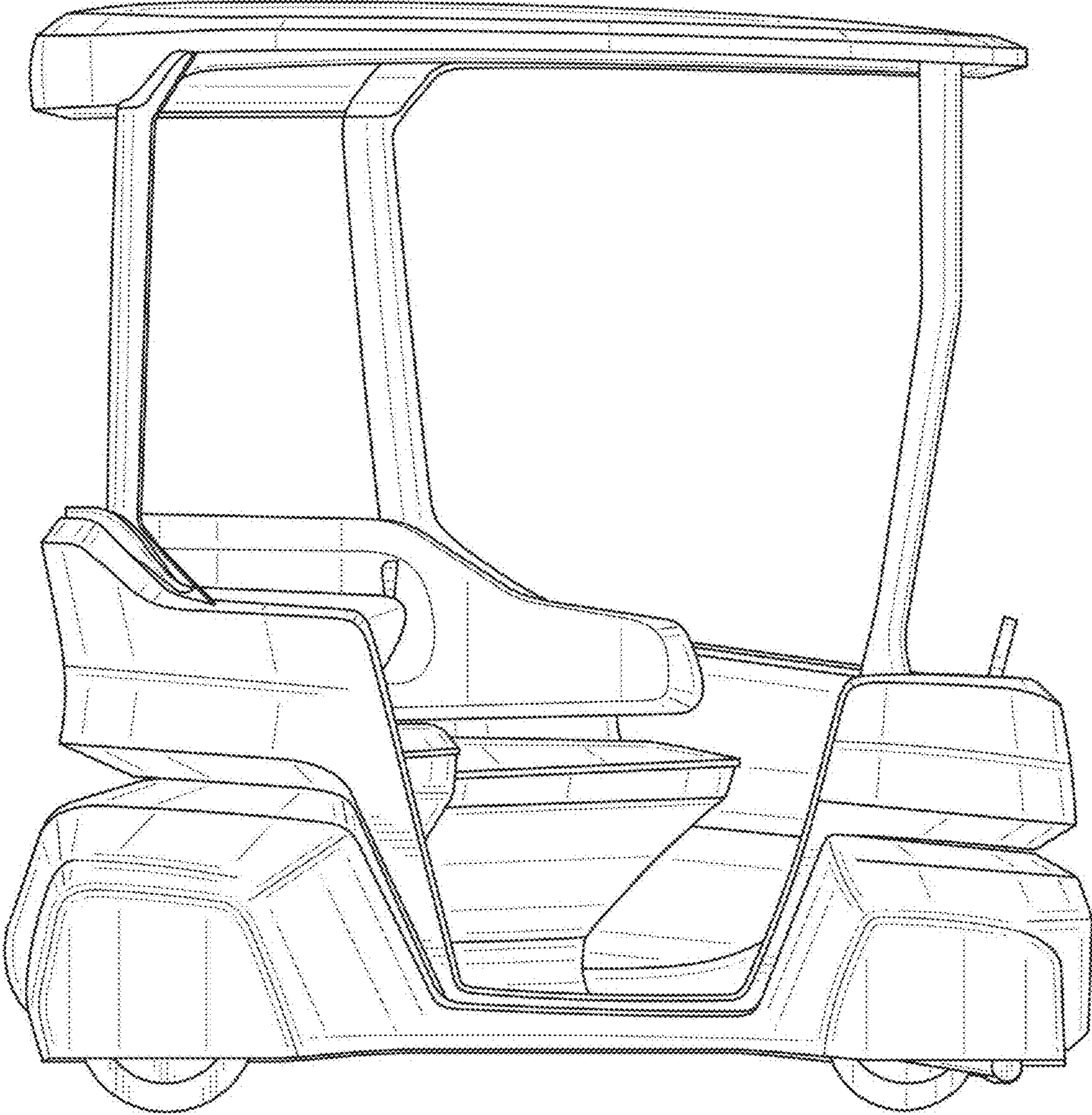


FIG. 4

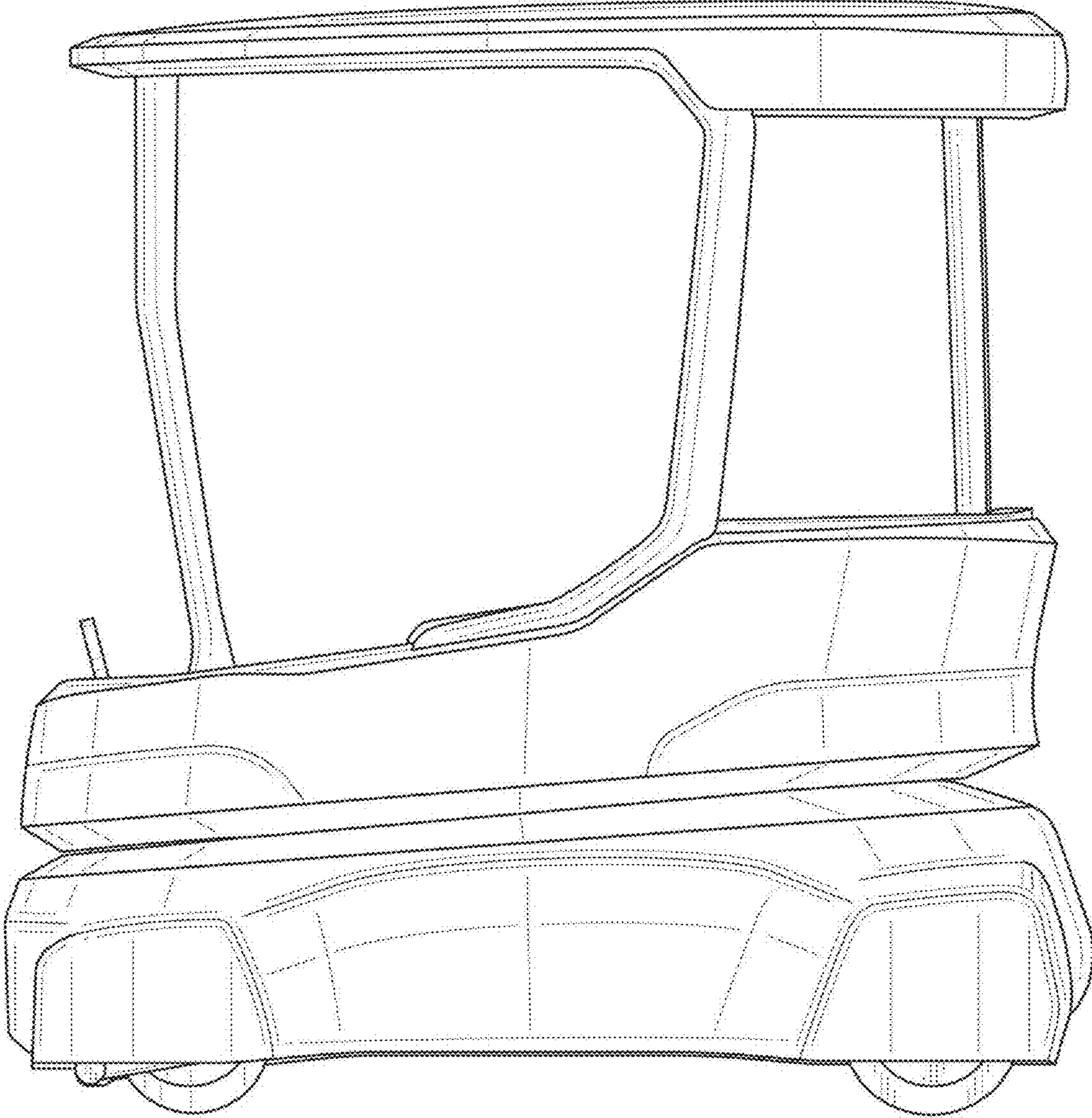


FIG. 5



FIG. 6

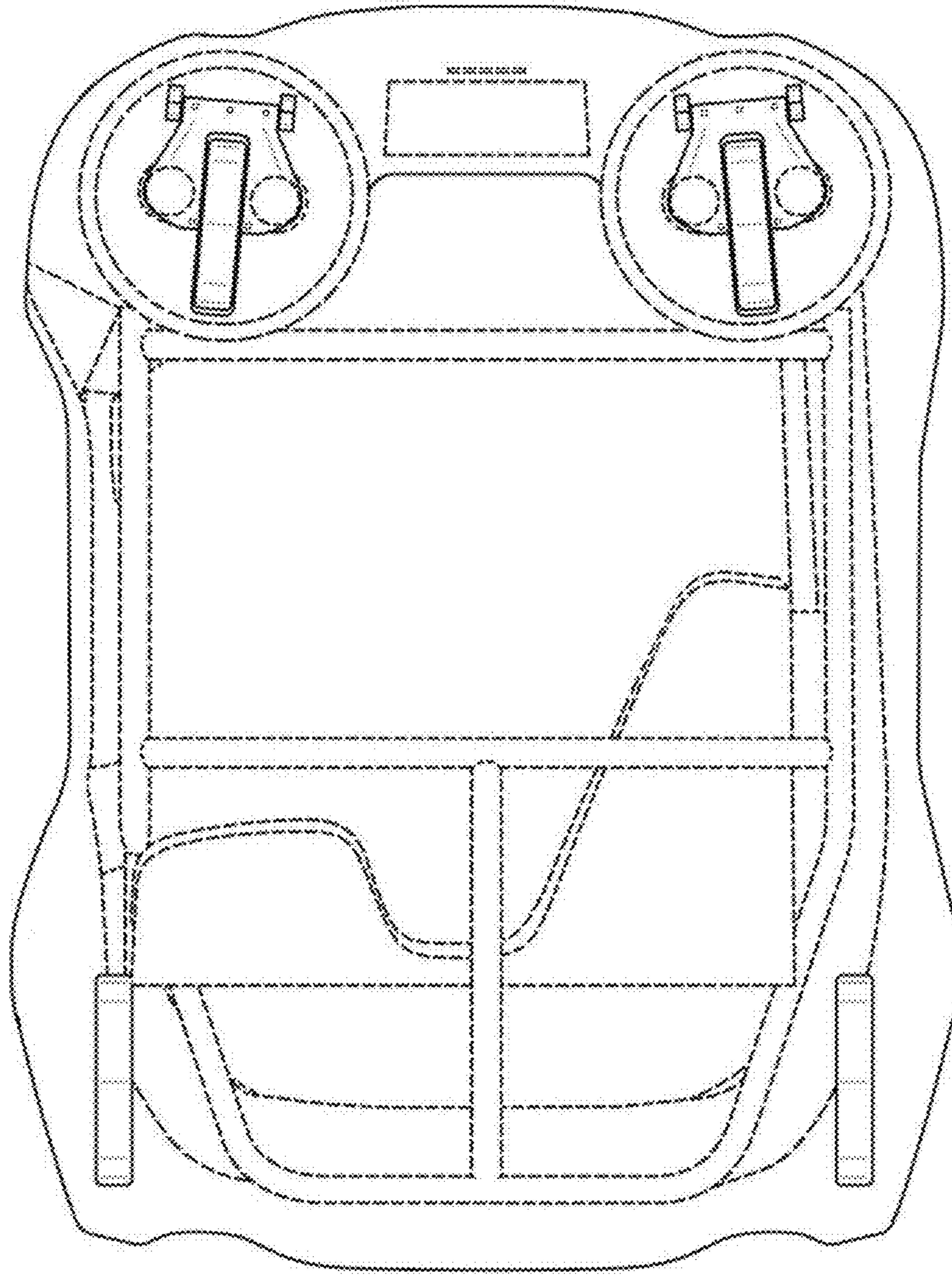


FIG. 7