



US00D920151S

(12) **United States Design Patent** (10) **Patent No.:** **US D920,151 S**
Pascual (45) **Date of Patent:** **** May 25, 2021**

(54) **TREE COVER**

(71) Applicants: **Chase Tounsley**, Murrieta, CA (US);
David Pascual, Murrieta, CA (US)

(72) Inventor: **David Pascual**, Murrieta, CA (US)

(**) Term: **15 Years**

(21) Appl. No.: **29/744,709**

(22) Filed: **Jul. 30, 2020**

(51) **LOC (13) Cl.** **11-02**

(52) **U.S. Cl.**
USPC **D11/130**

(58) **Field of Classification Search**

USPC D11/117, 118, 121, 125, 130, 130.1, 131,
D11/143, 149, 152, 153, 157, 184;
D22/199, 125; 428/8; D8/1
CPC A47G 33/04; A47G 33/06; A47G 33/08;
A32B 25/10; A32B 5/026; G10K 1/10
See application file for complete search history.

(56) **References Cited**

U.S. PATENT DOCUMENTS

657,050	A *	8/1900	Bick et al.	A47G 33/06 428/18
D76,987	S *	11/1928	Cricchio	D26/98
3,157,558	A *	11/1964	Adler, Jr.	A41G 1/007 428/18
D497,569	S *	10/2004	Elder	D11/130.1
D628,512	S *	12/2010	Marsh	D11/130.1

D759,784	S *	6/2016	Wydner	D22/199
D787,365	S	5/2017	Kenny		
D823,714	S *	7/2018	Gorgol	D11/130
10,299,618	B2 *	5/2019	Kenny	A47G 33/04
2013/0171376	A1 *	7/2013	Urban	A47G 33/06 428/7

* cited by examiner

Primary Examiner — Melanie Pellegrini

(74) *Attorney, Agent, or Firm* — Innovent Law, P.C.;
Karima Gulick

(57) **CLAIM**

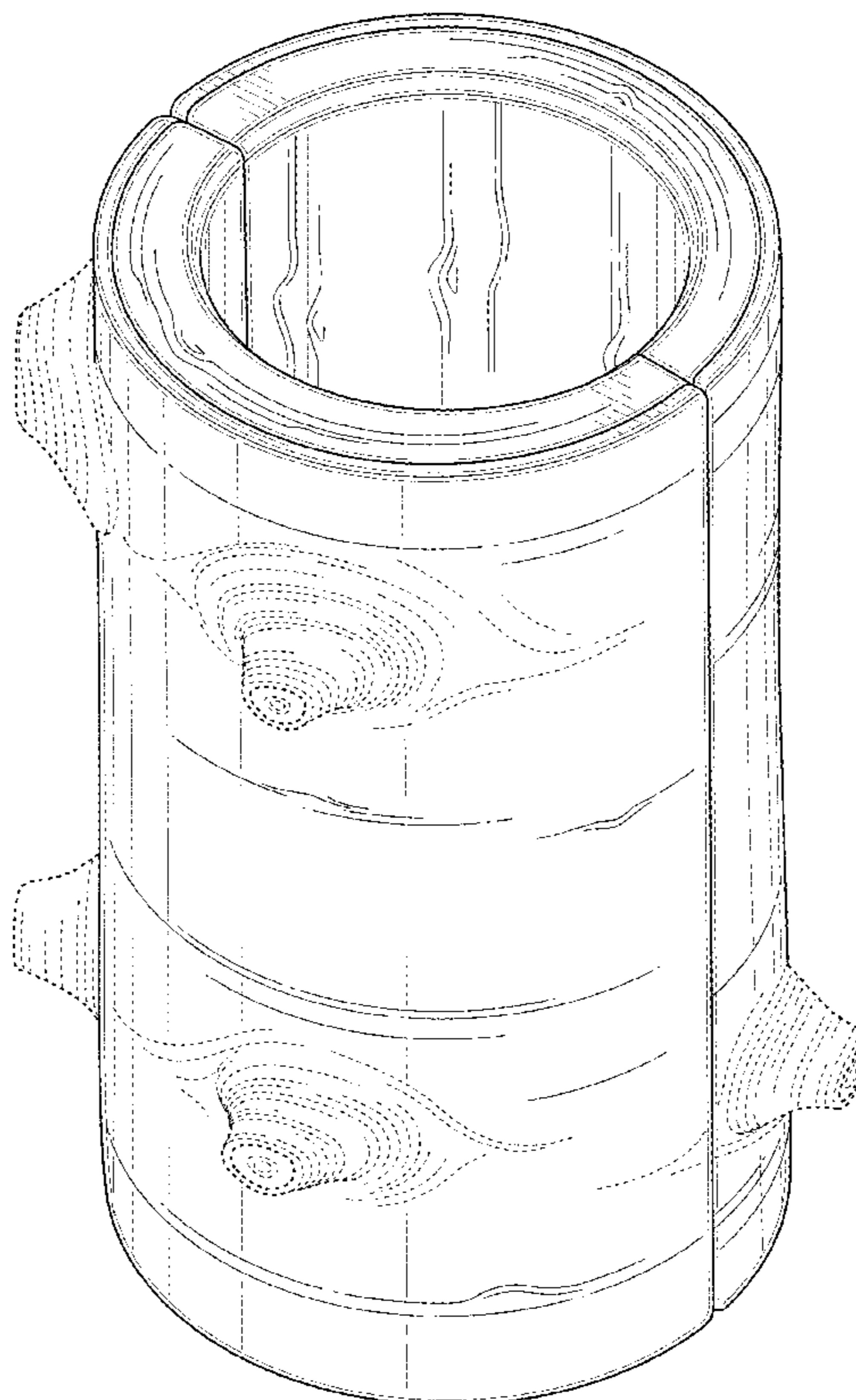
The ornamental design for a tree cover, as shown and described.

DESCRIPTION

FIG. 1 is a perspective front view of a tree cover;
FIG. 2 shows a left side view thereof;
FIG. 3 shows a right side view thereof;
FIG. 4 shows a front side view thereof;
FIG. 5 shows a rear side view thereof;
FIG. 6 shows a top view thereof;
FIG. 7 shows a bottom view thereof; and,
FIG. 8 shows a perspective view thereof shown in an open position.

The broken lines represent portions of the tree cover which form no part of the claimed design. The circular broken lines in FIG. 8 as well as the stippled area inside of them represent portions of the tree cover which also form no part of the claim.

1 Claim, 8 Drawing Sheets



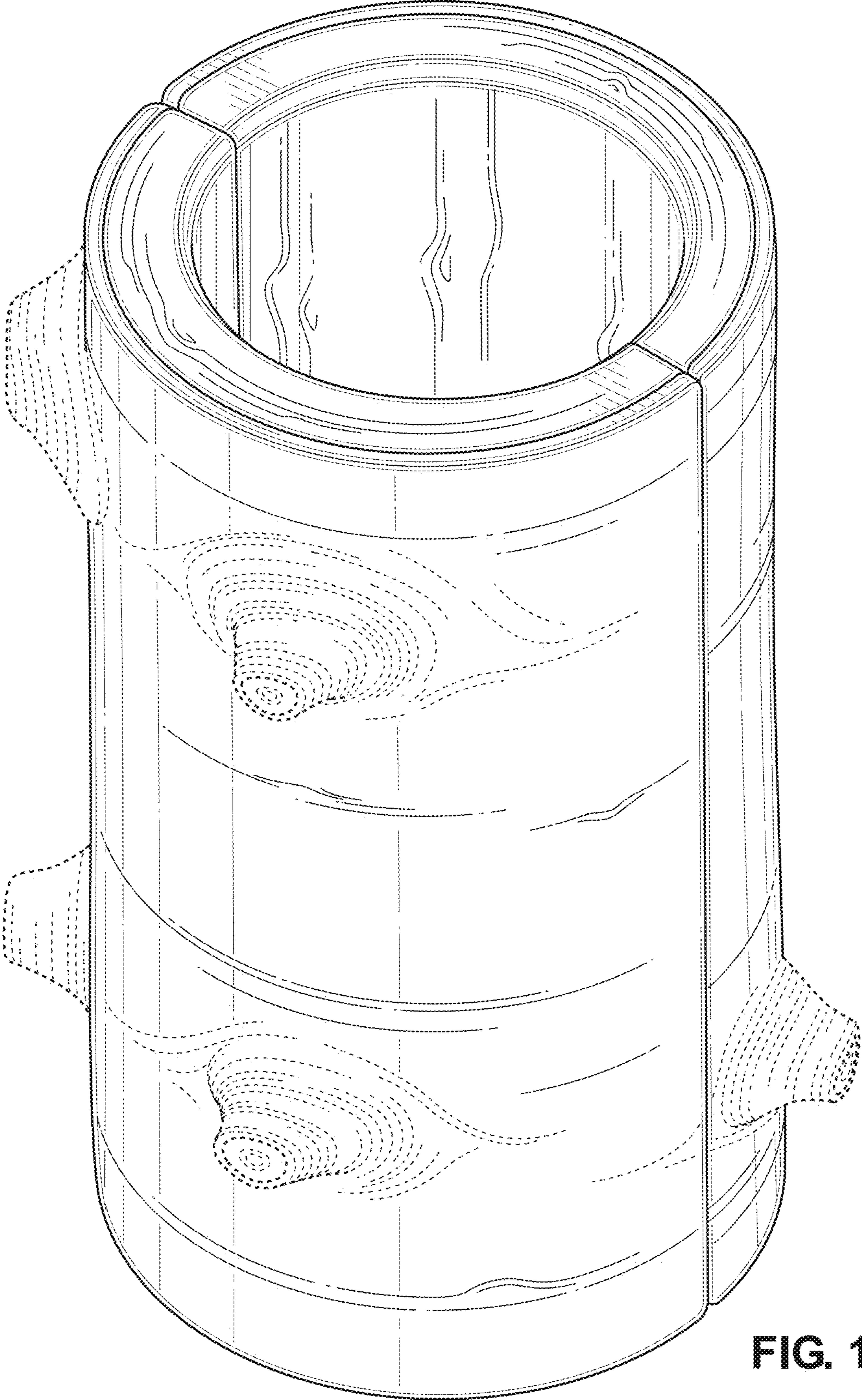


FIG. 1

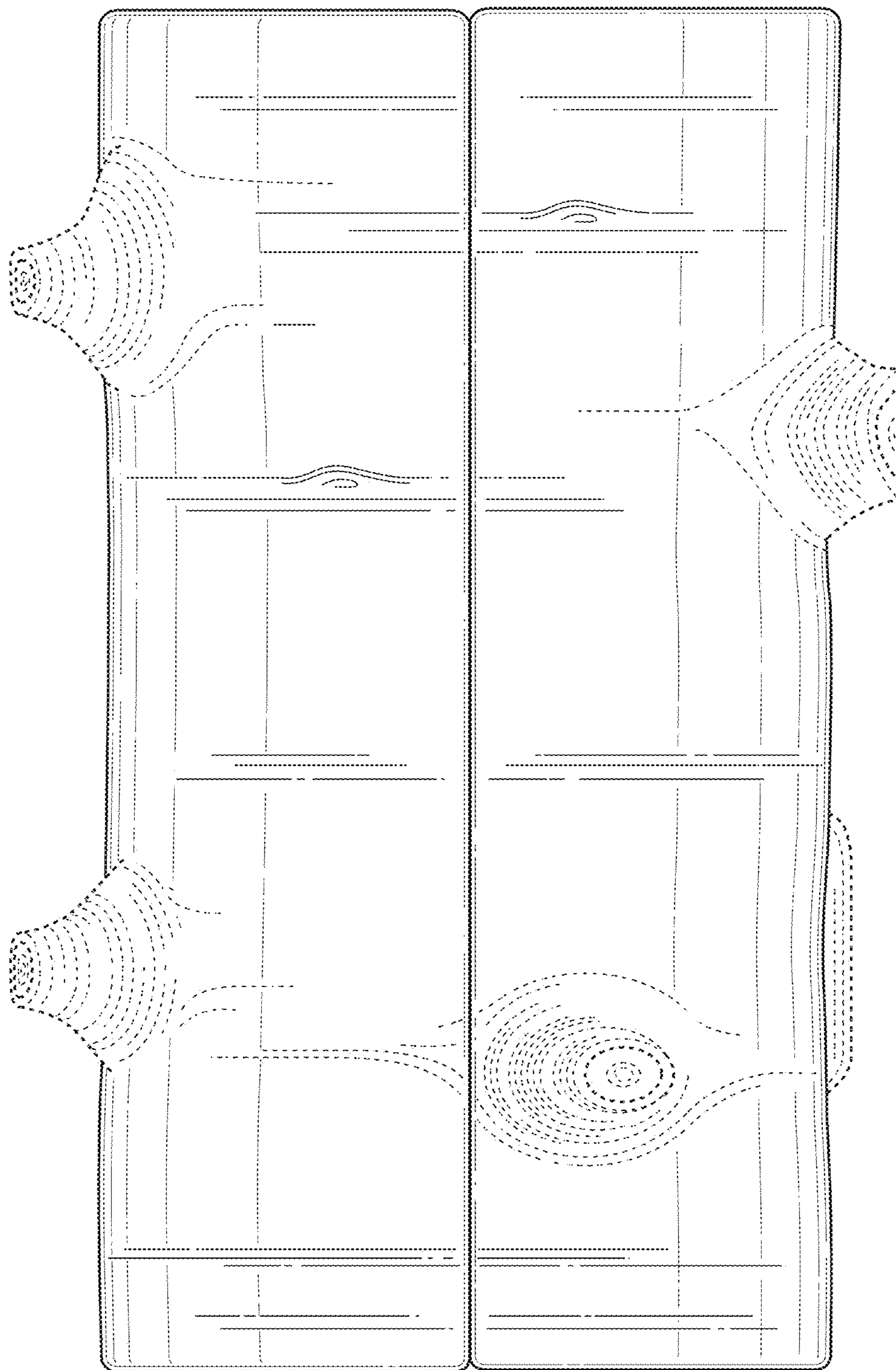


FIG. 2

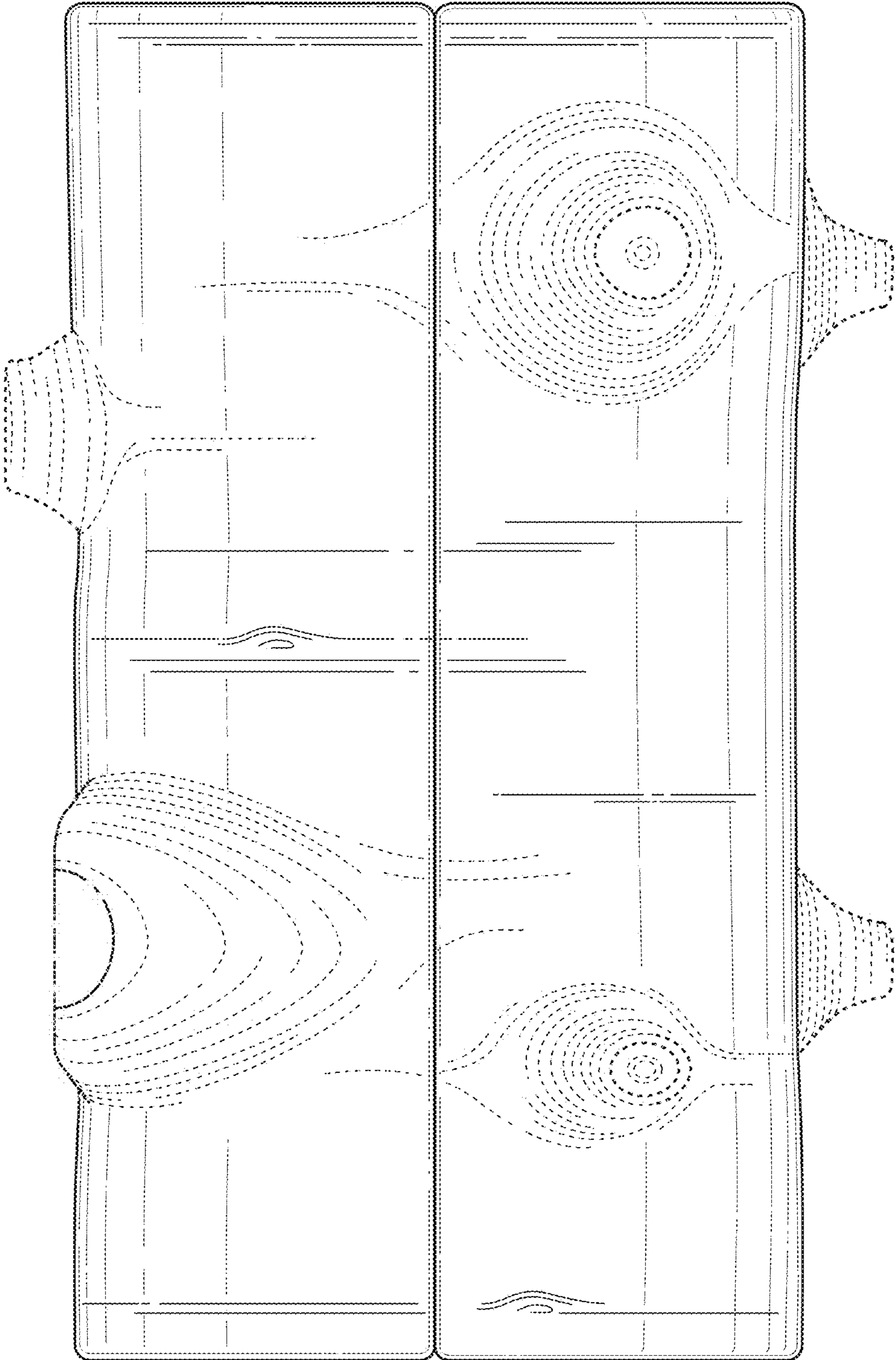


FIG. 3

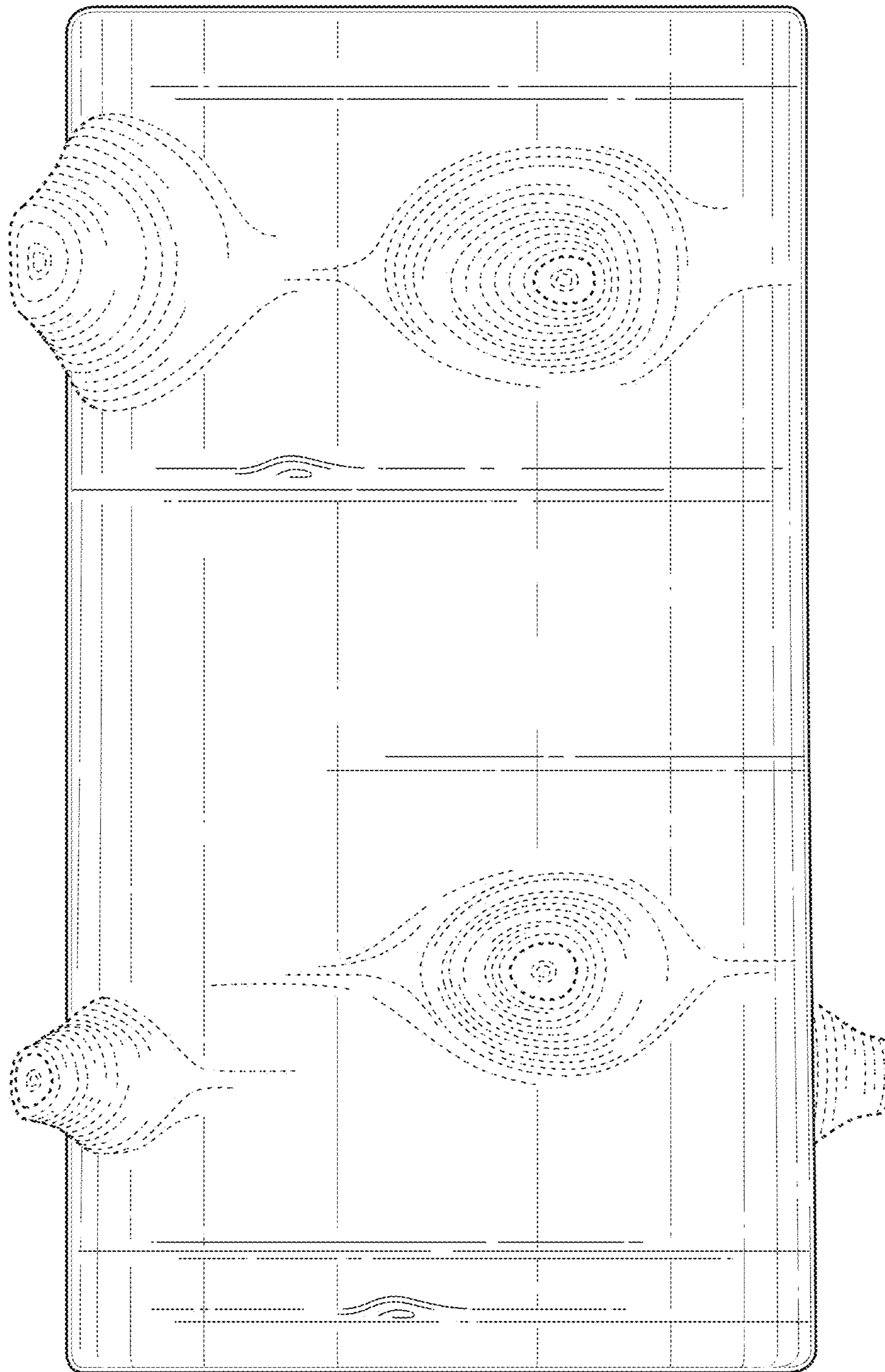


FIG. 4

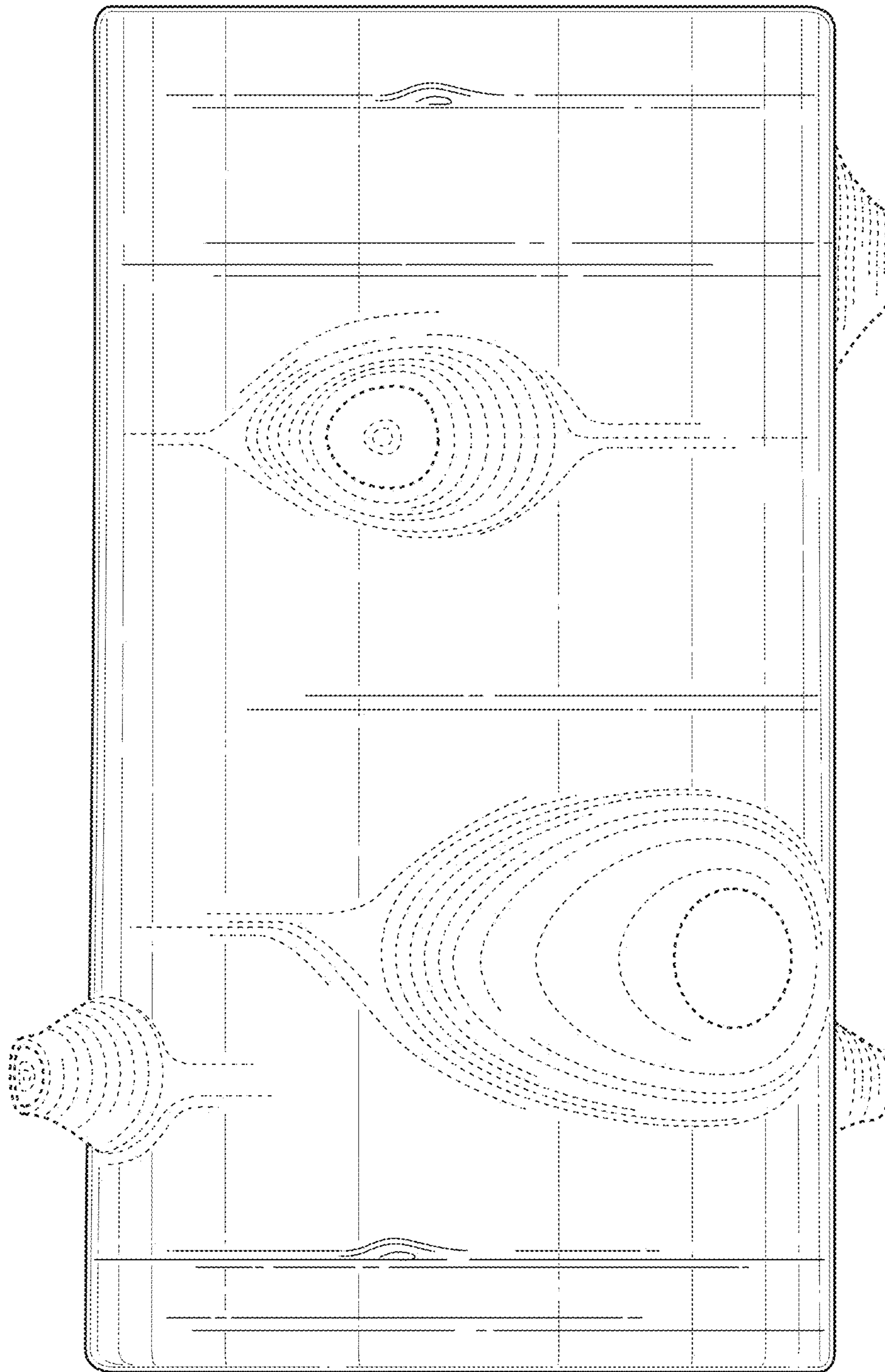


FIG. 5

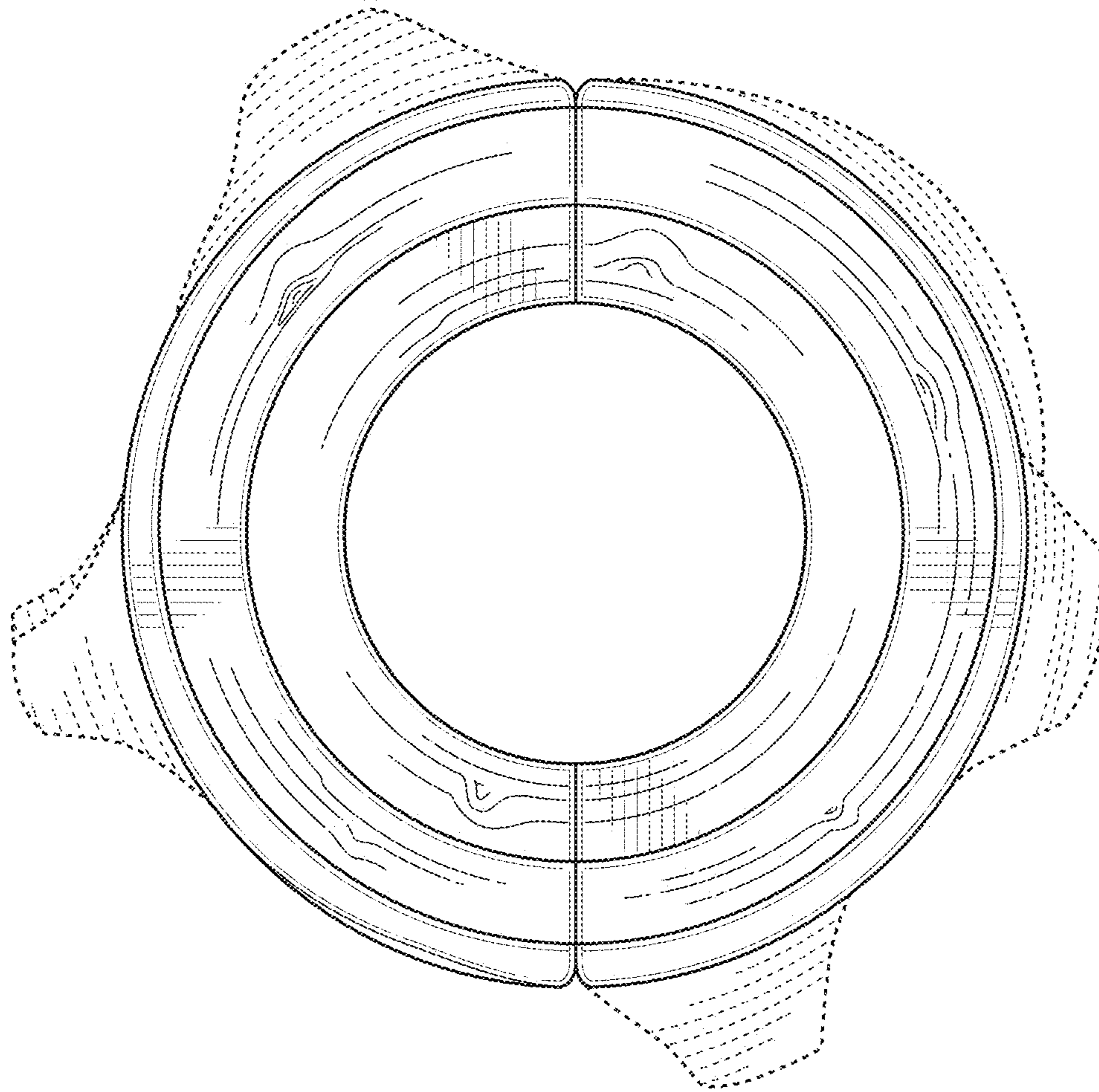


FIG. 6

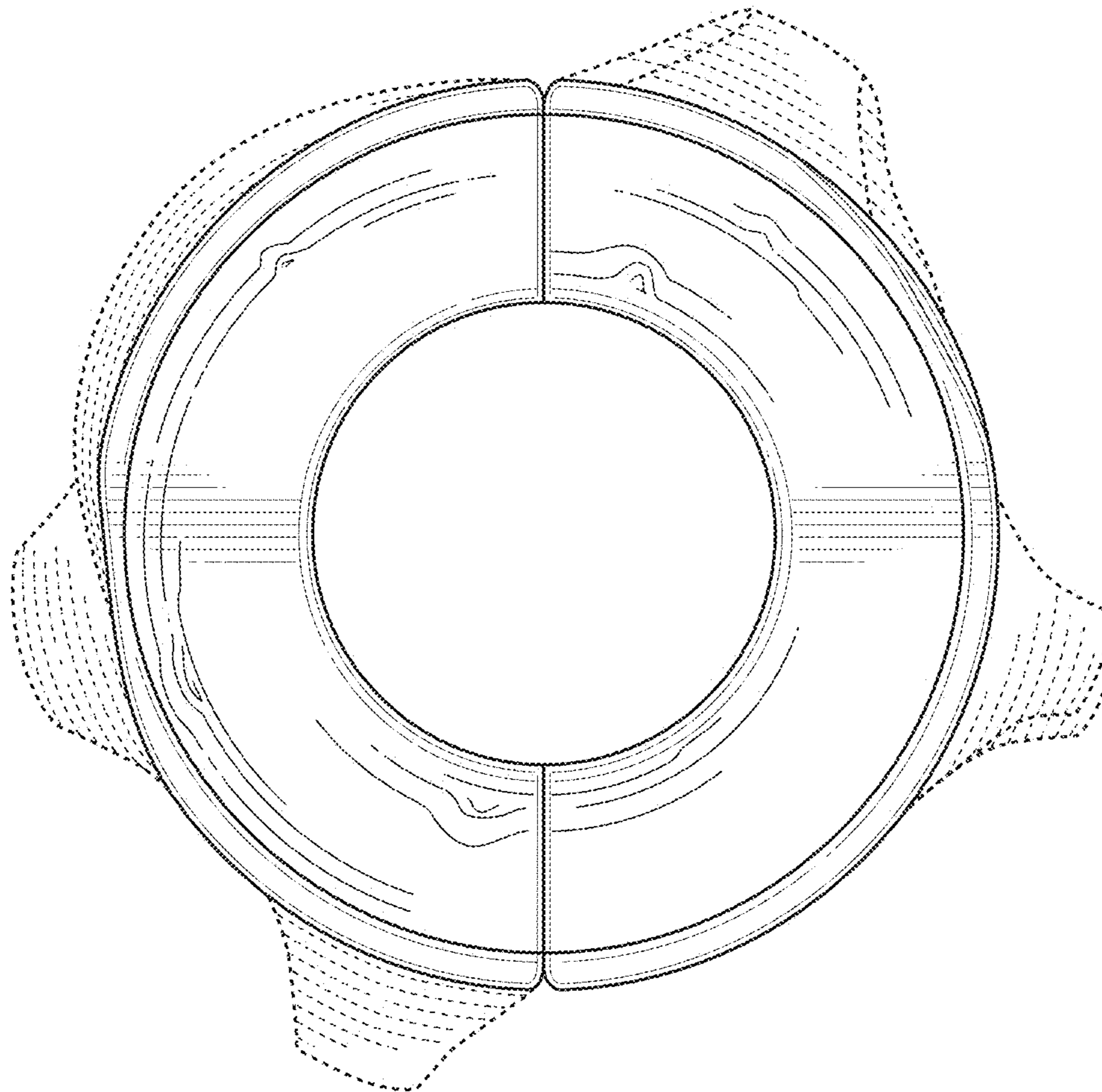


FIG. 7

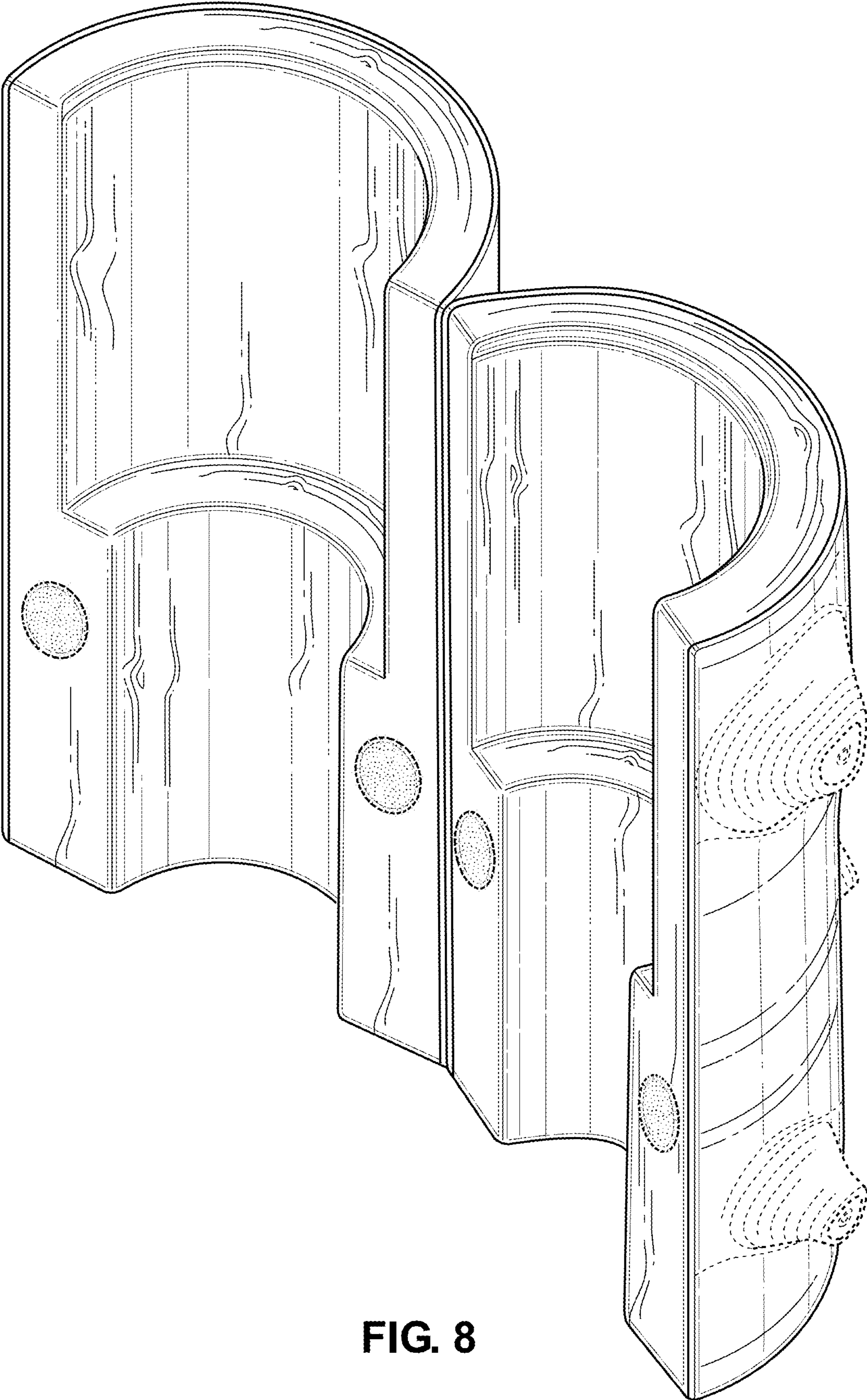


FIG. 8