



US00D920146S

(12) **United States Design Patent**
Hotchkin

(10) **Patent No.:** **US D920,146 S**

(45) **Date of Patent:** **** May 25, 2021**

(54) **PORTABLE SECURITY BOLLARD**

(71) Applicant: **Saferoads Pty Ltd**, Warragul (AU)

(72) Inventor: **Thomas Luke Hotchkin**, Warragul (AU)

(73) Assignee: **Saferoads Pty Ltd**, Warragul (AU)

(**) Term: **15 Years**

(21) Appl. No.: **29/681,110**

(22) Filed: **Feb. 22, 2019**

(30) **Foreign Application Priority Data**

Aug. 24, 2018 (AU) 201815058

(51) **LOC (13) Cl.** **10-05**

(52) **U.S. Cl.**
USPC **D10/113.3**

(58) **Field of Classification Search**
USPC D10/113.2, 113.3
CPC E01F 9/646; E01F 13/048; E01F 15/12;
F41H 1/00; F41H 11/00; F41H 11/08
See application file for complete search history.

(56) **References Cited**

U.S. PATENT DOCUMENTS

D578,919 S * 10/2008 Liao D10/113.3
D620,824 S * 8/2010 Hannah D10/113.3

D708,536 S * 7/2014 Lyhne D10/113.2
8,979,419 B2 * 3/2015 Heald E01F 15/12
404/6
9,315,956 B2 * 4/2016 Heald E01F 13/048
10,385,528 B2 * 8/2019 Heald E01F 9/646

* cited by examiner

Primary Examiner — George D. Kirschbaum

(74) *Attorney, Agent, or Firm* — Michael Best & Friedrich LLP

(57) **CLAIM**

I claim the ornamental design for a portable security bollard, as shown and described.

DESCRIPTION

FIG. 1 is a perspective view of a portable security bollard showing my new design.

FIG. 2 is a top view of the portable security bollard.

FIG. 3 is a side view of the portable security bollard.

FIG. 4 is an end view of the portable security bollard.

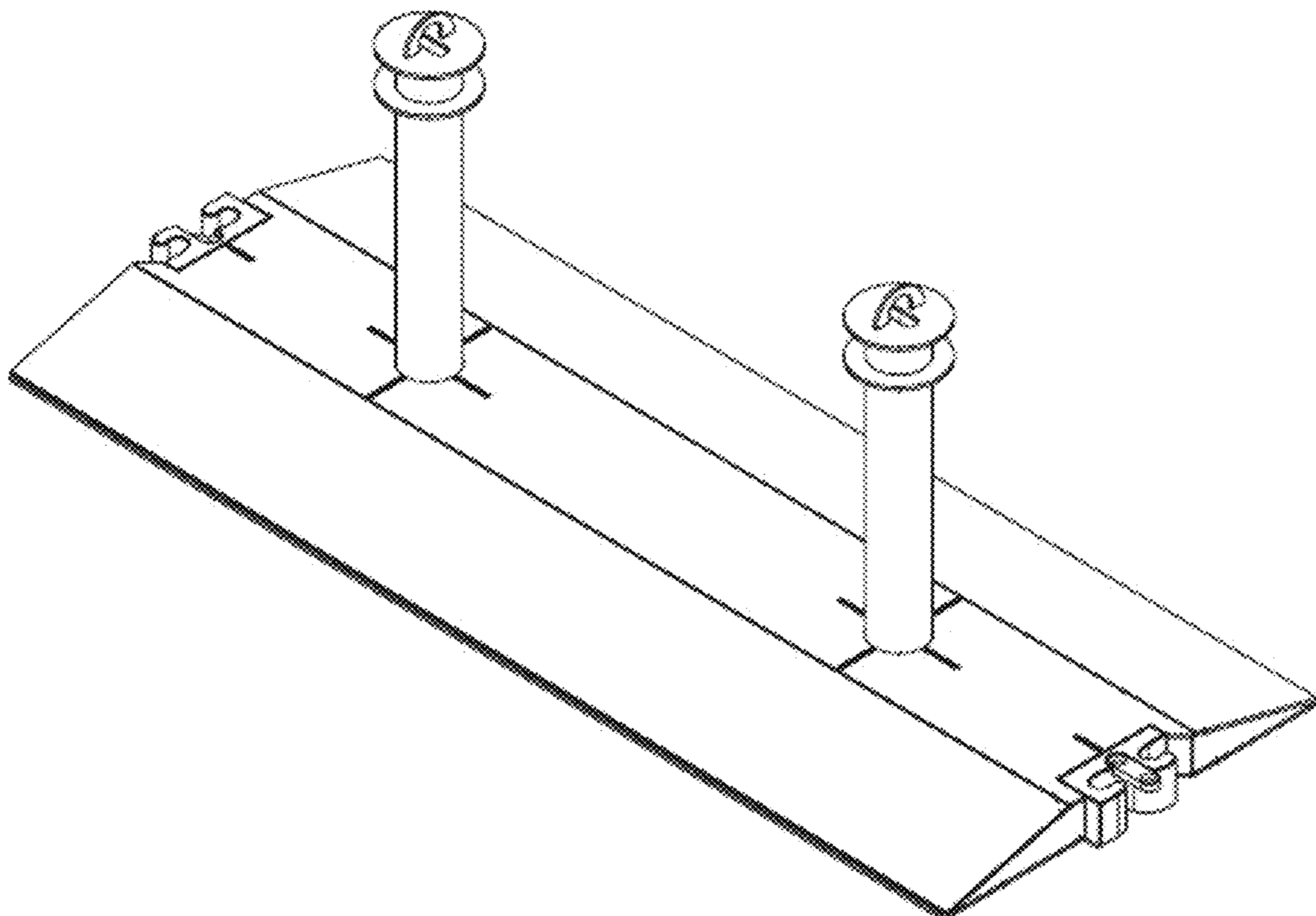
FIG. 5 is a perspective view of a portable security bollard that is an alternative embodiment of my new design.

FIG. 6 is a top view of the portable security bollard shown in FIG. 6.

FIG. 7 is a side view of the portable security bollard shown in FIG. 6; and,

FIG. 8 is an end view of the portable security bollard shown in FIG. 6.

1 Claim, 8 Drawing Sheets



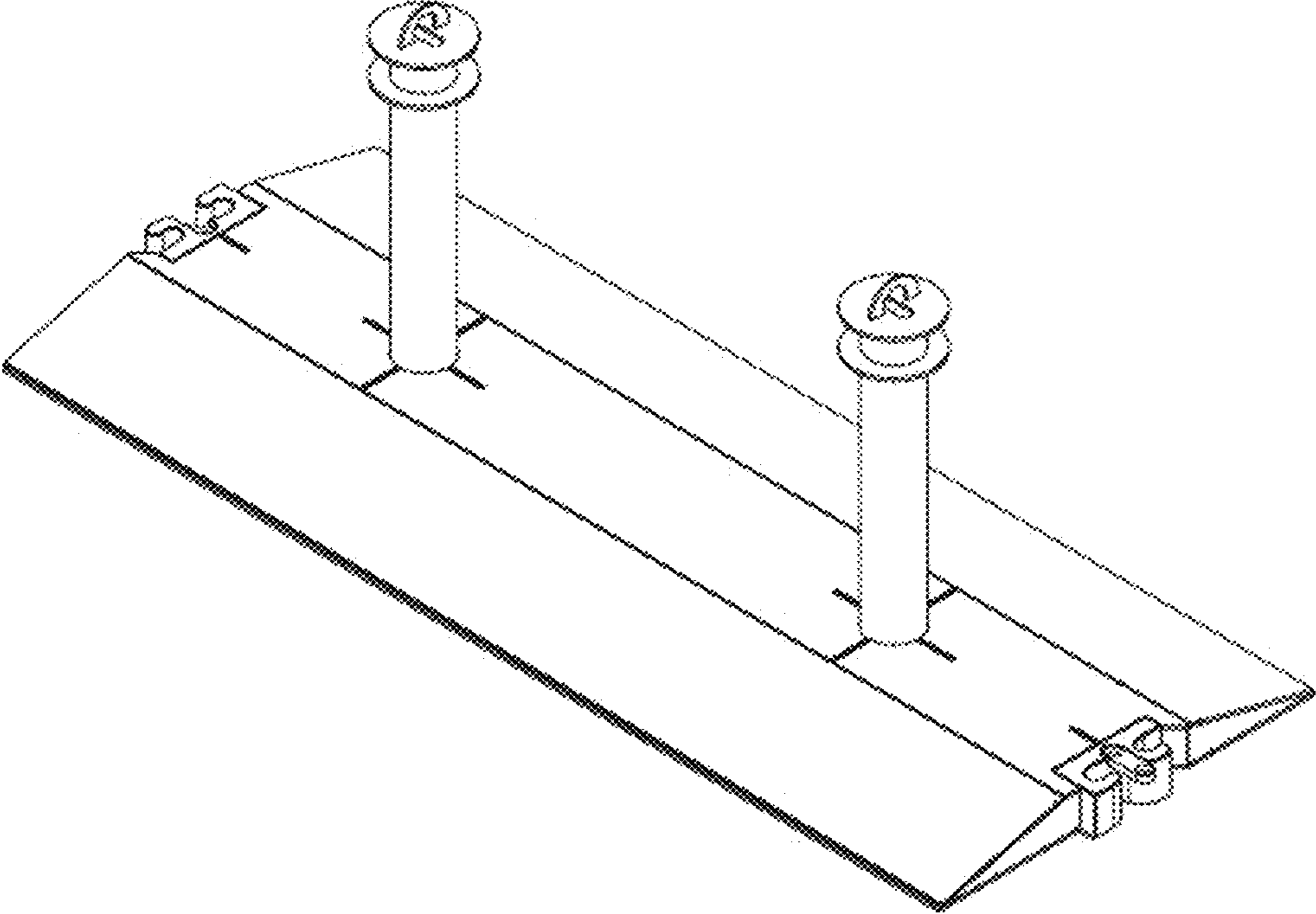


FIG. 1

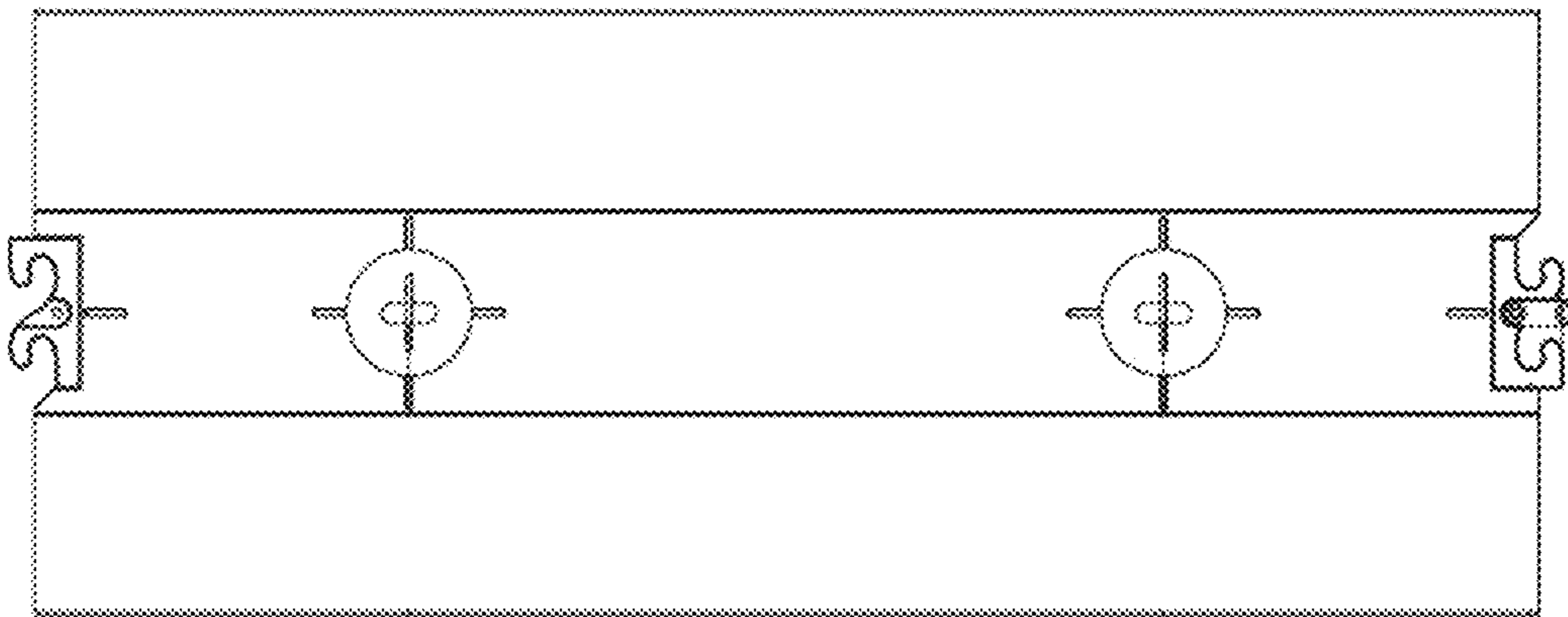


FIG. 2



FIG. 3

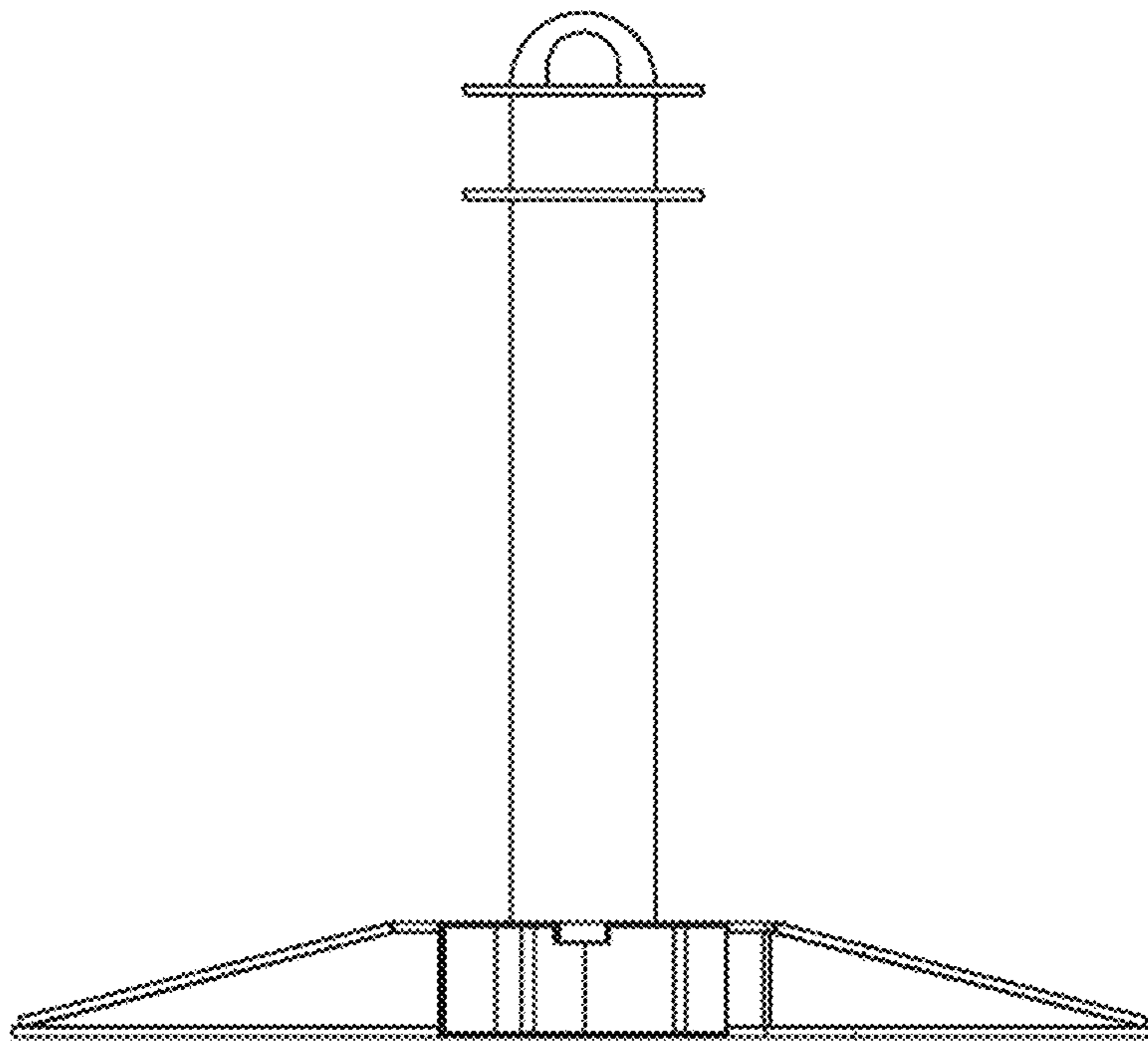


FIG. 4

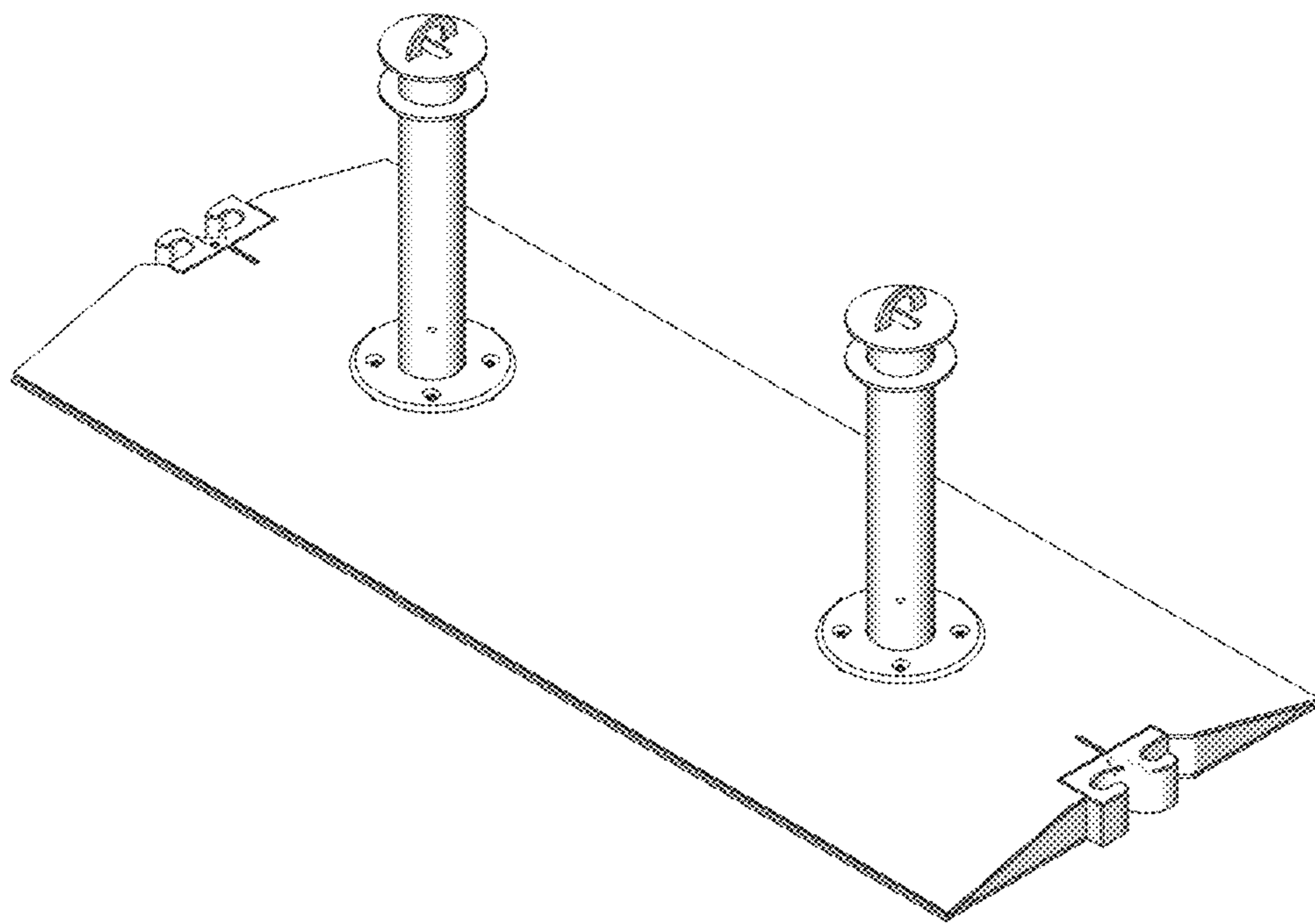


FIG. 5

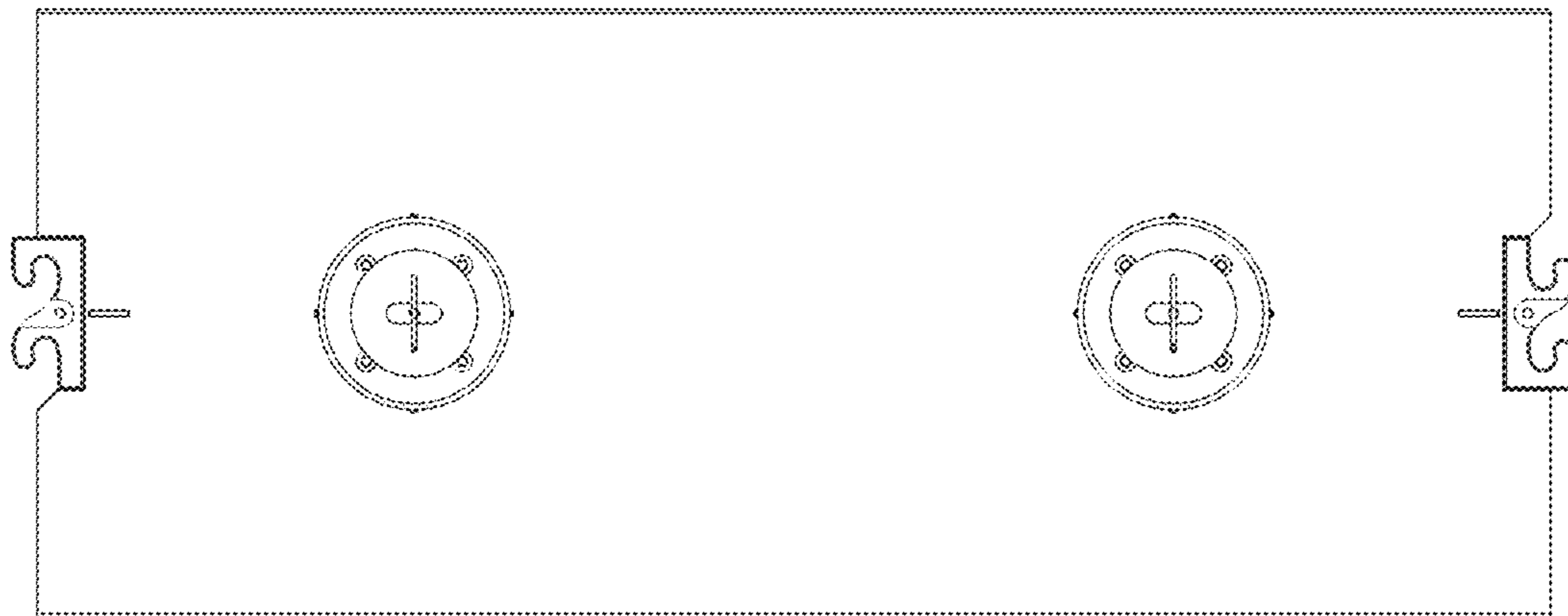


FIG. 6

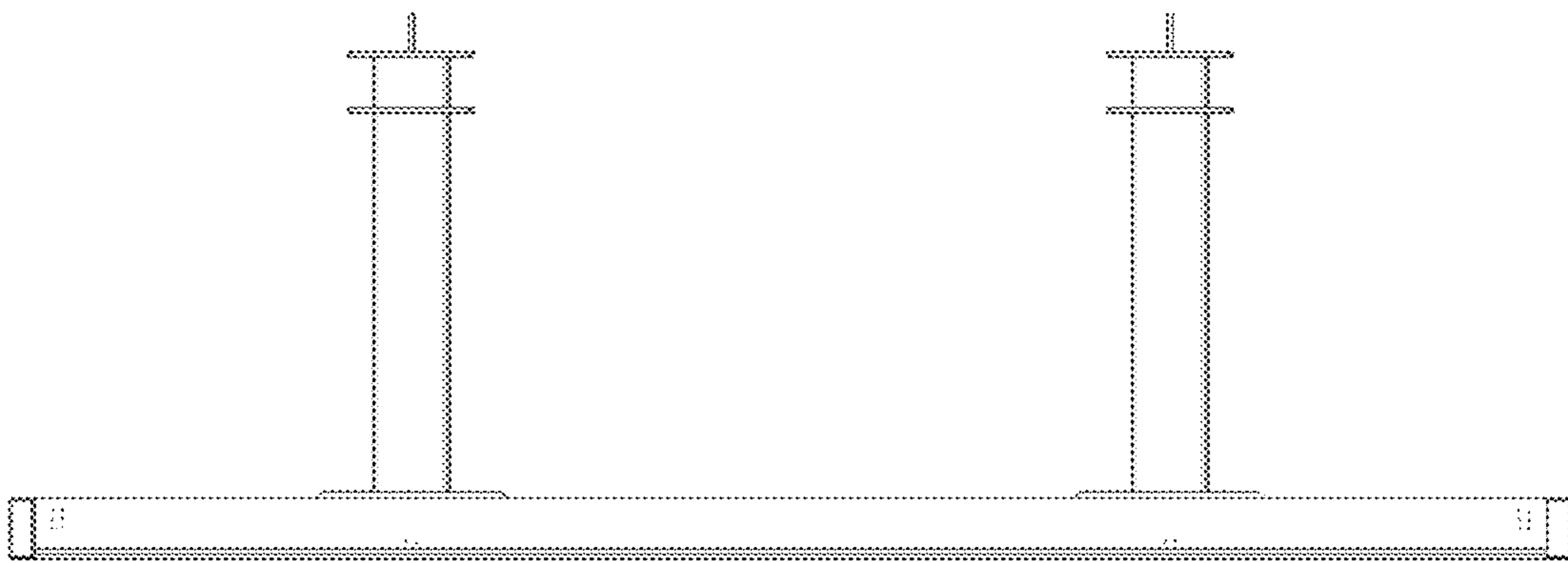


FIG. 7

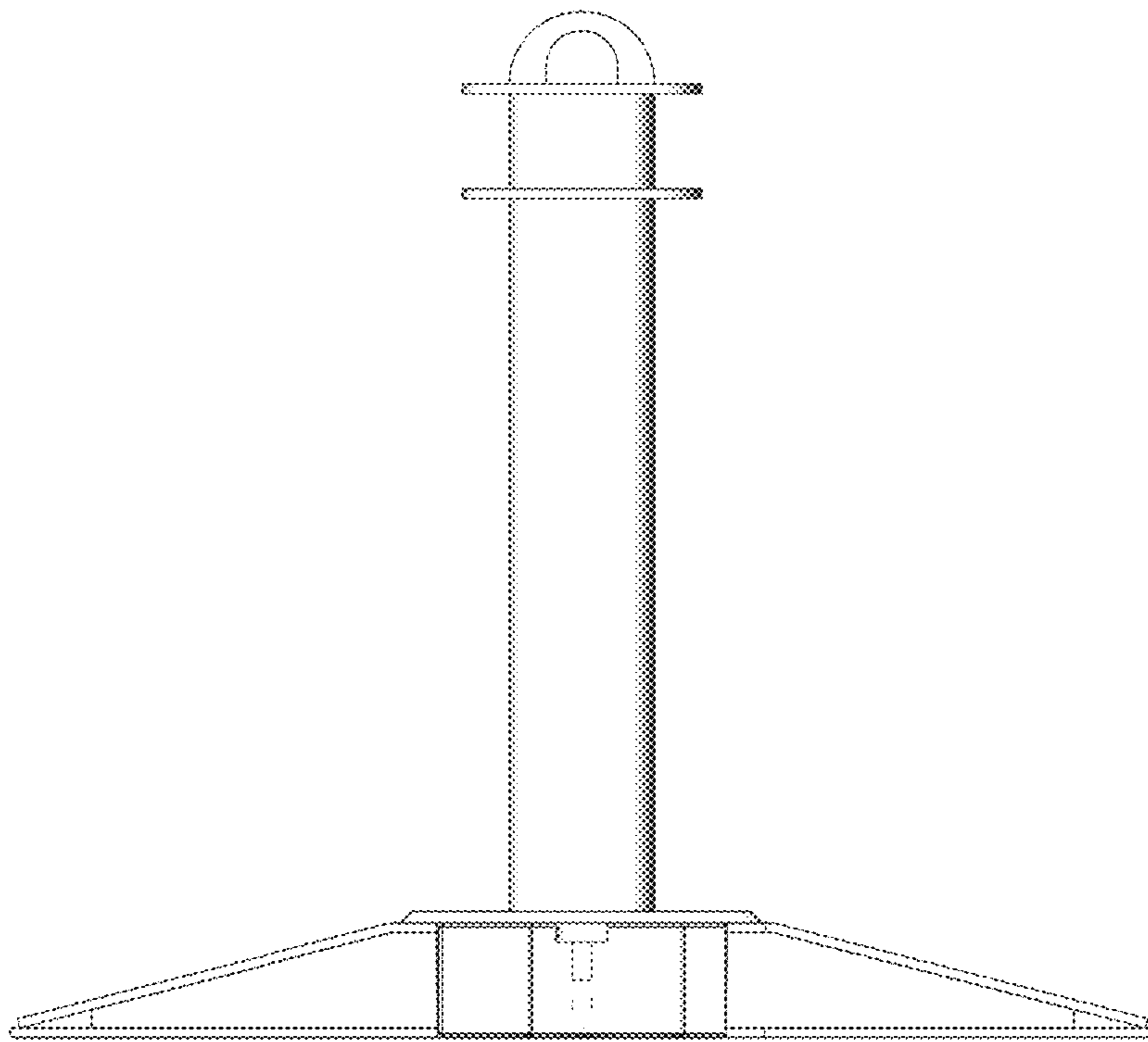


FIG. 8