



US00D920143S

(12) **United States Design Patent** (10) **Patent No.:** **US D920,143 S**  
**Painter et al.** (45) **Date of Patent:** **\*\* May 25, 2021**

(54) **TRACKING DEVICE WITH MOUNTING PLATE**

(71) Applicant: **T-Mobile USA, Inc.**, Bellevue, WA (US)

(72) Inventors: **Christopher Painter**, Kirkland, WA (US); **Parag Garg**, Woodinville, WA (US); **Joseph Baird**, Bellevue, WA (US); **Aaron Takeshi Sisneros**, Oakland, CA (US); **Jeffrey Scott Croyle**, San Francisco, CA (US); **Daniel Hundt**, San Francisco, CA (US)

(73) Assignee: **T-Mobile USA, Inc.**, Bellevue, WA (US)

(\*\*) Term: **15 Years**

(21) Appl. No.: **29/693,289**

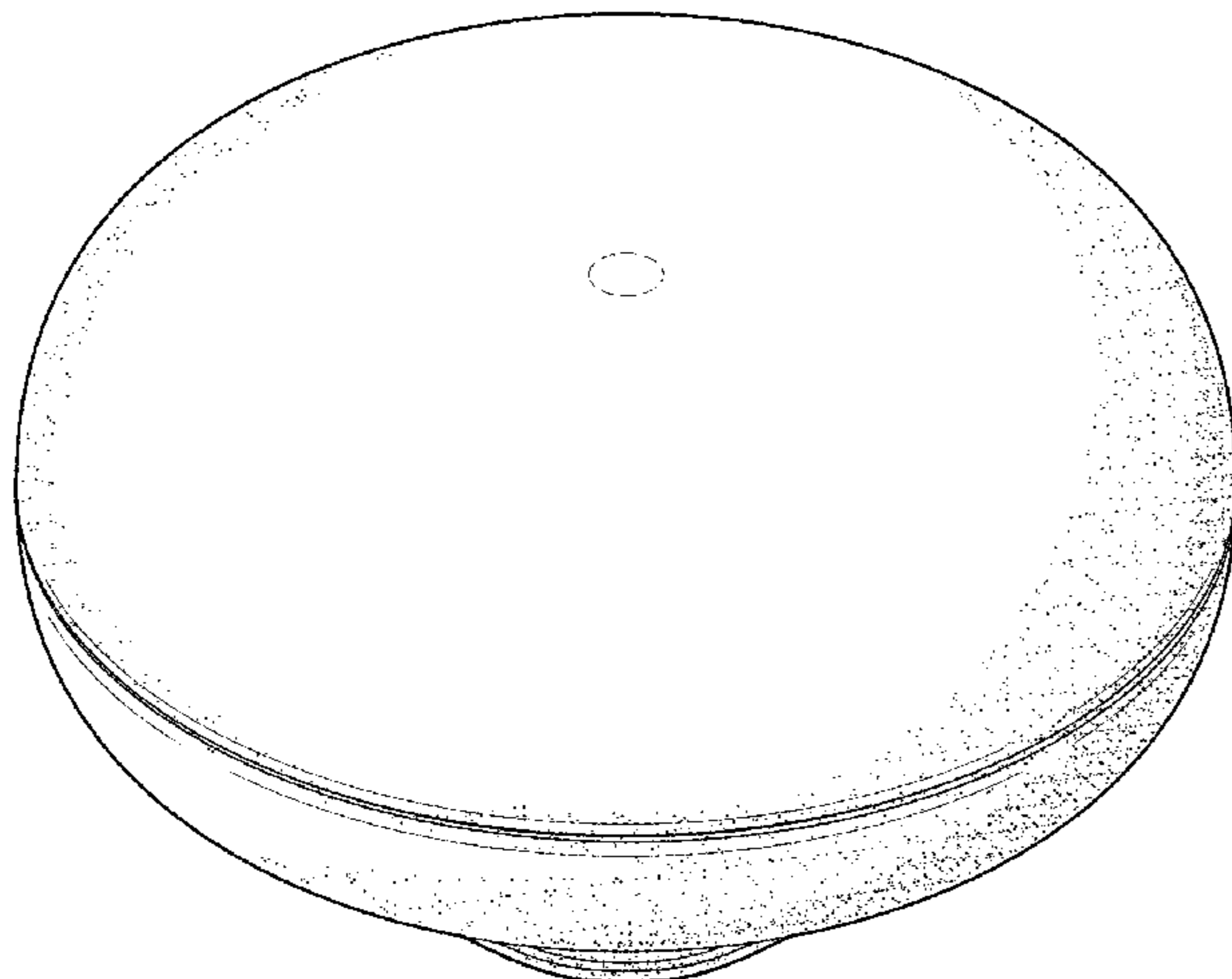
(22) Filed: **May 31, 2019**

(51) **LOC (13) Cl.** ..... **10-04**

(52) **U.S. Cl.**  
 USPC ..... **D10/70; D10/104.2**

(58) **Field of Classification Search**  
 USPC ..... D10/70, 104.2, 106.92, 106.94  
 CPC .... G08B 13/126; G08B 13/128; G08B 13/14; G08B 13/1427; G08B 13/2437; G08B 13/1409; G08B 13/1436; G08B 13/1445; G08B 13/1463; G08B 13/1472; G08B 13/1481; G08B 13/149; G08B 13/2428; G08B 13/2434; G08B 21/24; G09F 3/18; G09F 3/185; G09F 3/20; G09F 3/201; G09F 3/202; G09F 3/203; G09F 3/204; G09F 3/205; G09F 3/206; G09F 3/207; G09F 3/208; G09F 3/005; A41D 1/02; A44C 5/0015; A44C 5/02; A44C 5/14; A61B

(Continued)



(56) **References Cited**

U.S. PATENT DOCUMENTS

4,260,180 A	4/1981	Halushka et al.
D475,417 S	6/2003	Wintersteiger

(Continued)

OTHER PUBLICATIONS

Design U.S. Appl. No. 29/693,293, Ex Parte Quayle mailed Jun. 1, 2020, 15 pages.

(Continued)

*Primary Examiner* — Antoine Duval Davis  
 (74) *Attorney, Agent, or Firm* — Han Santos, PLLC

(57) **CLAIM**

The ornamental design for a tracking device with mounting plate, as shown and described.

**DESCRIPTION**

FIG. 1 is a perspective view of a tracking device with mounting plate taken from the top, right, and front, and illustrating a first orientation;  
 FIG. 2 is another perspective view of the tracking device with mounting plate taken from the bottom, right, and front, and illustrating a second orientation;  
 FIG. 3 is a front elevation view of the tracking device with mounting plate of FIG. 1;  
 FIG. 4 is a back elevation view of the tracking device with mounting plate of FIG. 1;  
 FIG. 5 is a right side elevation view of the tracking device with mounting plate of FIG. 1;  
 FIG. 6 is a left side elevation view of tracking device with mounting plate of FIG. 1;  
 FIG. 7 is a top plan view of the tracking device with mounting plate of FIG. 1; and,

(Continued)

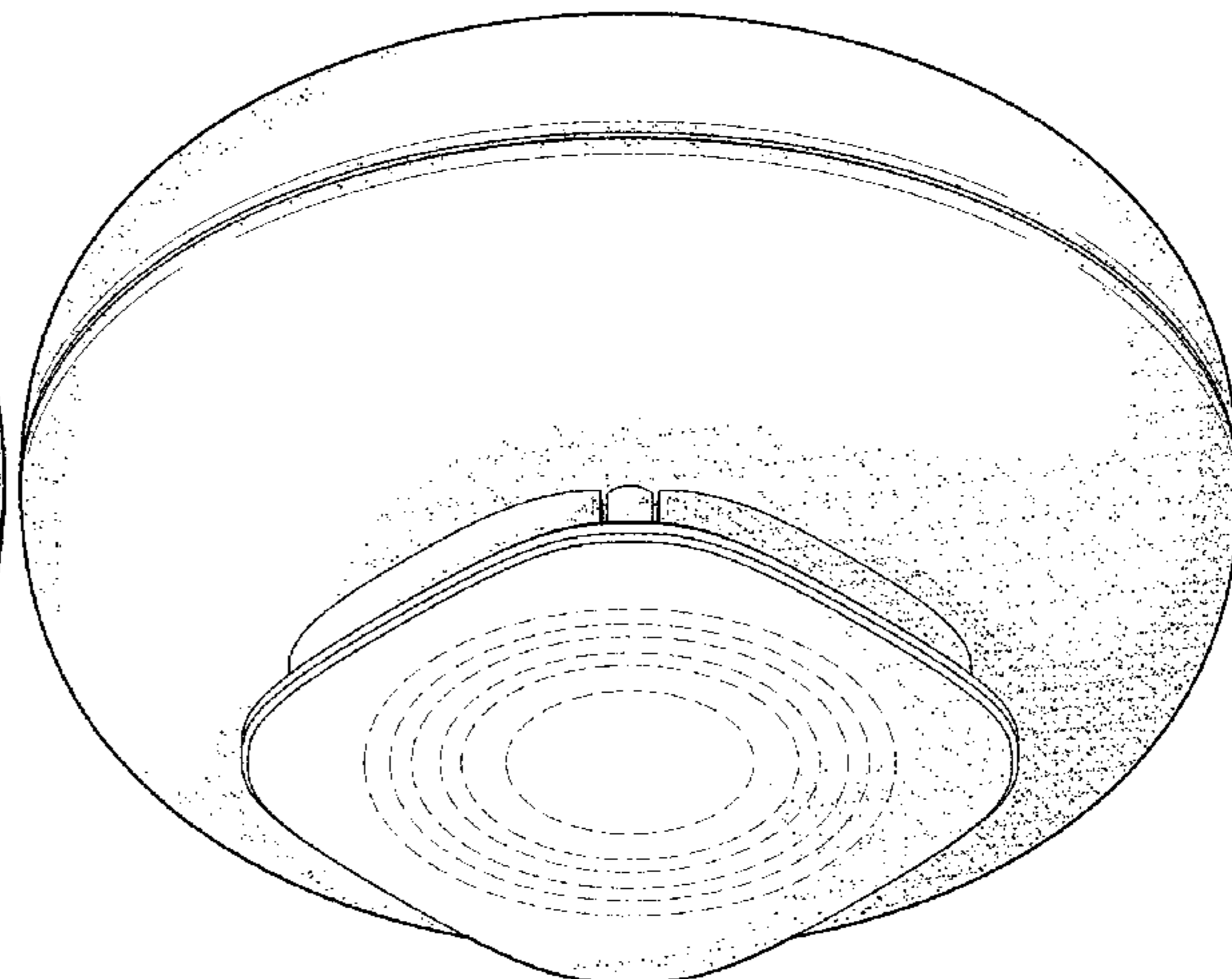


FIG. 8 is a bottom plan view of the tracking device with mounting plate of FIG. 1.

The broken lines shown in the drawings are directed to environment or illustrate portions of the tracking device with mounting plate that form no part of the claimed design.

**1 Claim, 6 Drawing Sheets**

(58) **Field of Classification Search**

CPC ... 19/44; A61B 2019/446; A61B 71/00; A61B 5/02416; A61B 5/118; A61B 2/721; A61B 5/002; A61B 5/112; A61B 5/1122; A61B 5/746; A61B 5/6823; A61B 5/72; A61B 5/7445; A61B 5/0022; A61B 5/14532; A63B 71/06; A63B 26/00; A63B 24/0075; A63B 2071/0663; A63B 71/0686; A63B 24/0062; A63B 24/0084; A63B 2024/0068; A63B 2024/0078; A63B 2024/0056; A63B 2071/0625; A63B 2071/003; A63B 2071/063; A63B 2071/065; A63B 2071/068; A63B 2071/0675; A63B 2220/40; A63B 2220/803; A63B 2220/12; A63B 2220/20; A63B 2220/22; A63B 2220/30; A63B 2225/50; A63B 2225/02; A63B 2225/06; A63B 2230/75; A63B 2024/0065; A63B 2024/0081; A63B 2220/51; A63B 2220/62; A63B 2220/836; G06F 1/163; G06F 3/038; G06F 3/03547; G04G 17/00; G04G 17/08; G04G 17/04; G04G 21/02; G04G 21/00; G04G 21/08; G04B 37/1486; G06Q 10/00; G06Q 50/00; G09B 9/00; G09B 19/00; G04F 10/00

See application file for complete search history.

(56)

**References Cited**

U.S. PATENT DOCUMENTS

D476,376	S	6/2003	Wintersteiger
D526,973	S	8/2006	Gates et al.
7,226,321	B2	6/2007	Uhari
D558,208	S	12/2007	Ikeda et al.
D558,209	S	12/2007	Ikeda et al.
D575,289	S	8/2008	Kuo et al.
7,431,027	B2	10/2008	Carpenter et al.
D585,898	S	2/2009	Skurdal
8,148,701	B2	4/2012	Yoder
D680,541	S	4/2013	Lee et al.
8,552,403	B2	10/2013	Yoder et al.
D693,814	S	11/2013	Park
D694,228	S	11/2013	Richter
D717,244	S	11/2014	Reishus et al.
D749,442	S	2/2016	Jung et al.
D749,504	S	2/2016	Jeong et al.
D768,635	S	10/2016	Due
D784,259	S	4/2017	Huang et al.
D802,529	S	11/2017	Andersson
9,875,628	B2	1/2018	Pokrajac et al.
D824,851	S	8/2018	Antonetti et al.
10,436,914	B2	10/2019	Gindraux et al.
D878,905	S	3/2020	Illouz
D882,439	S *	4/2020	Fan ..... D10/104.2
2010/0207769	A1	8/2010	Pokrajac
2011/0169616	A1	7/2011	Yoder

OTHER PUBLICATIONS

Design U.S Appl. No. 29/693,293, Notice of Allowance dated Aug. 20, 2020, 10 pages.  
 Design U.S. Appl. No. 29/693,299, Notice of Allowance dated Sep. 14, 2020, 18 pages.

\* cited by examiner

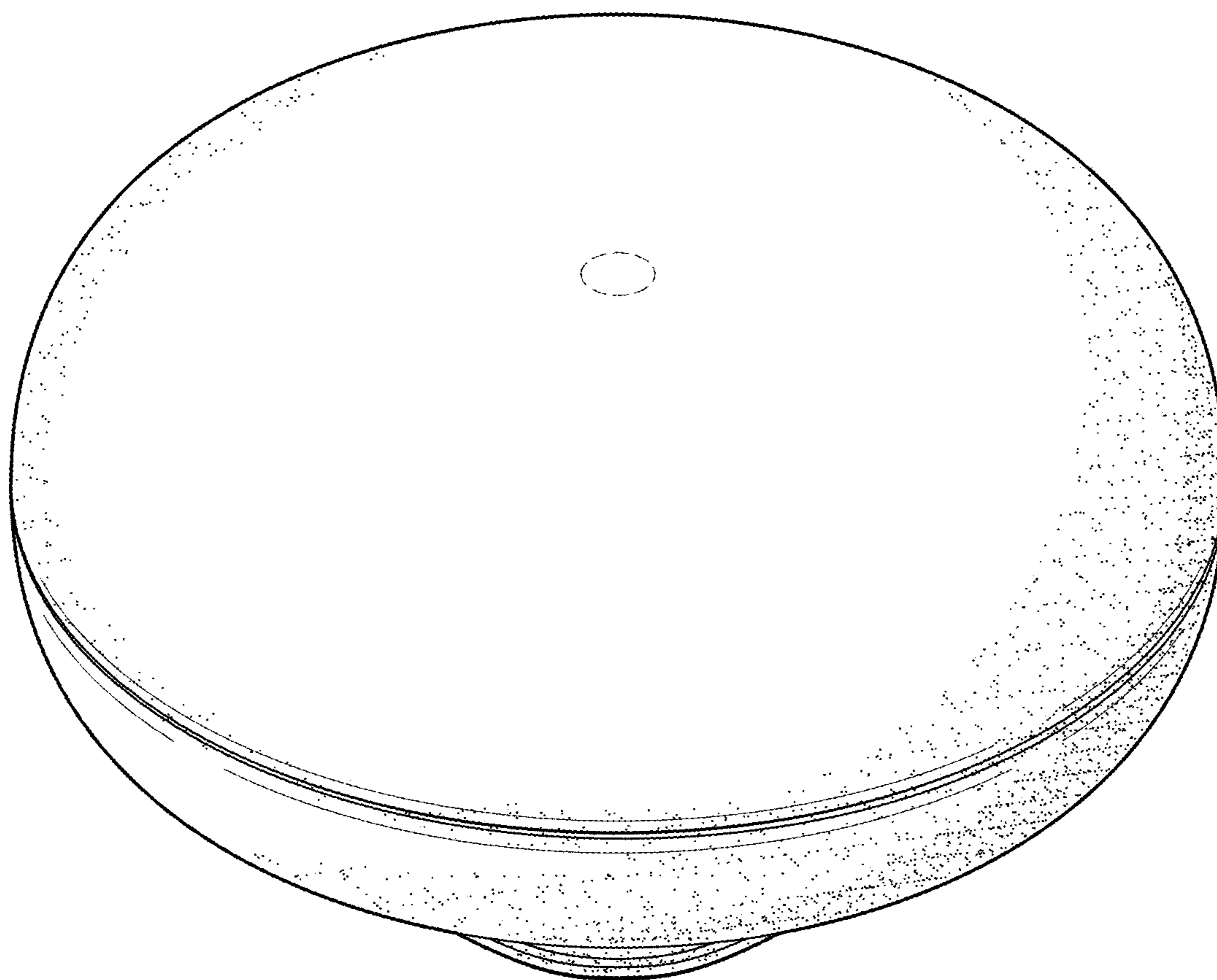


FIG. 1



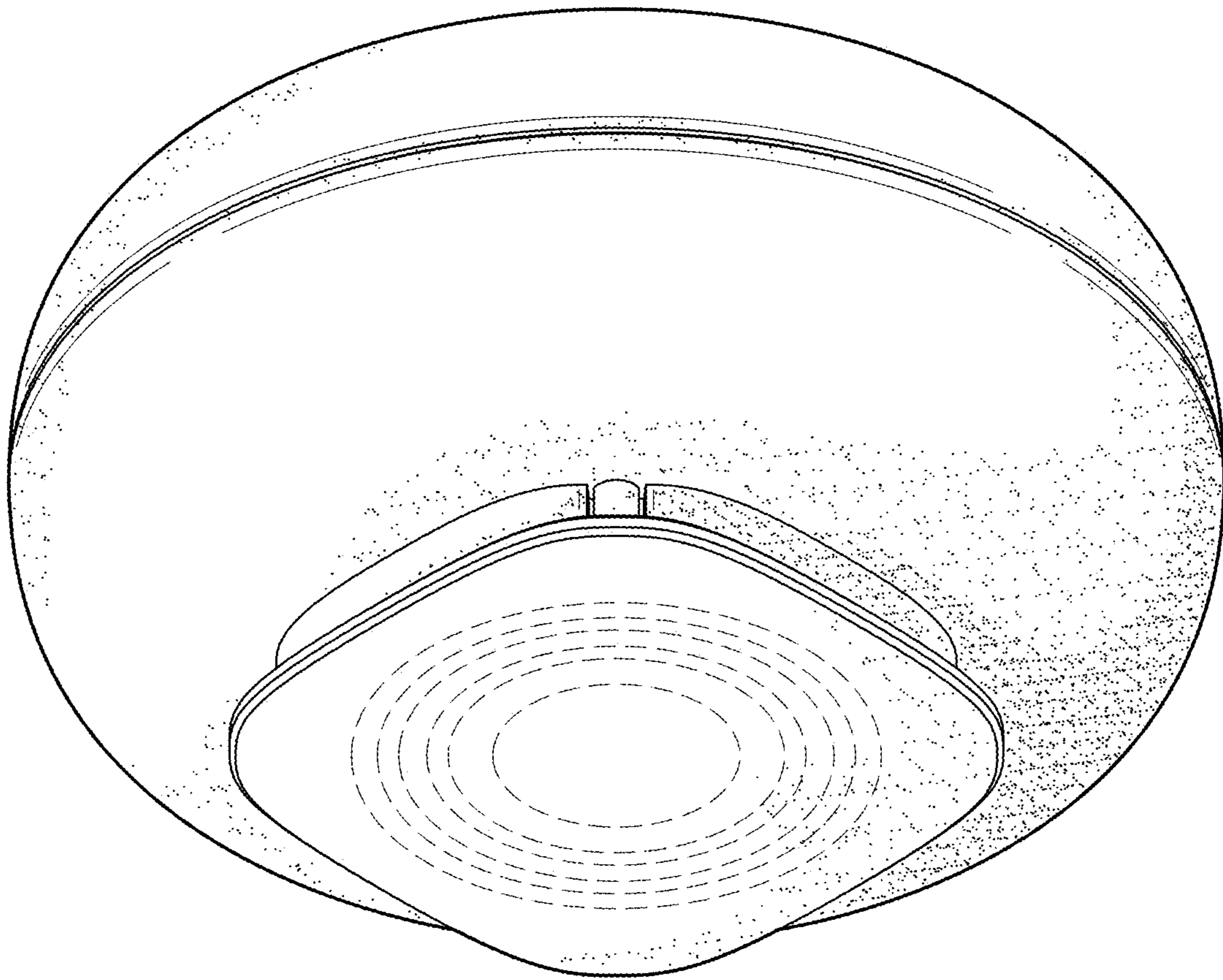


FIG. 2

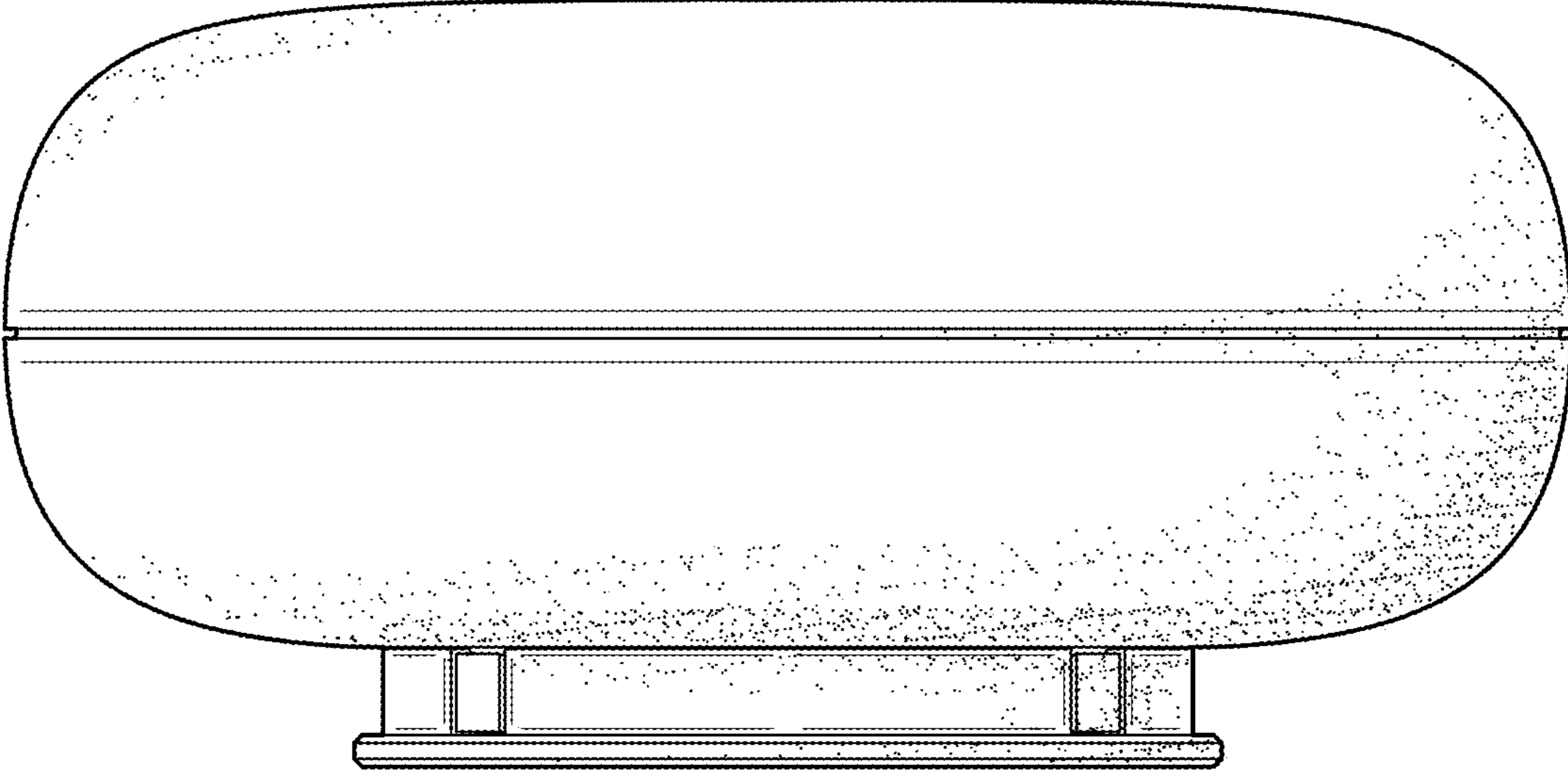


FIG. 3

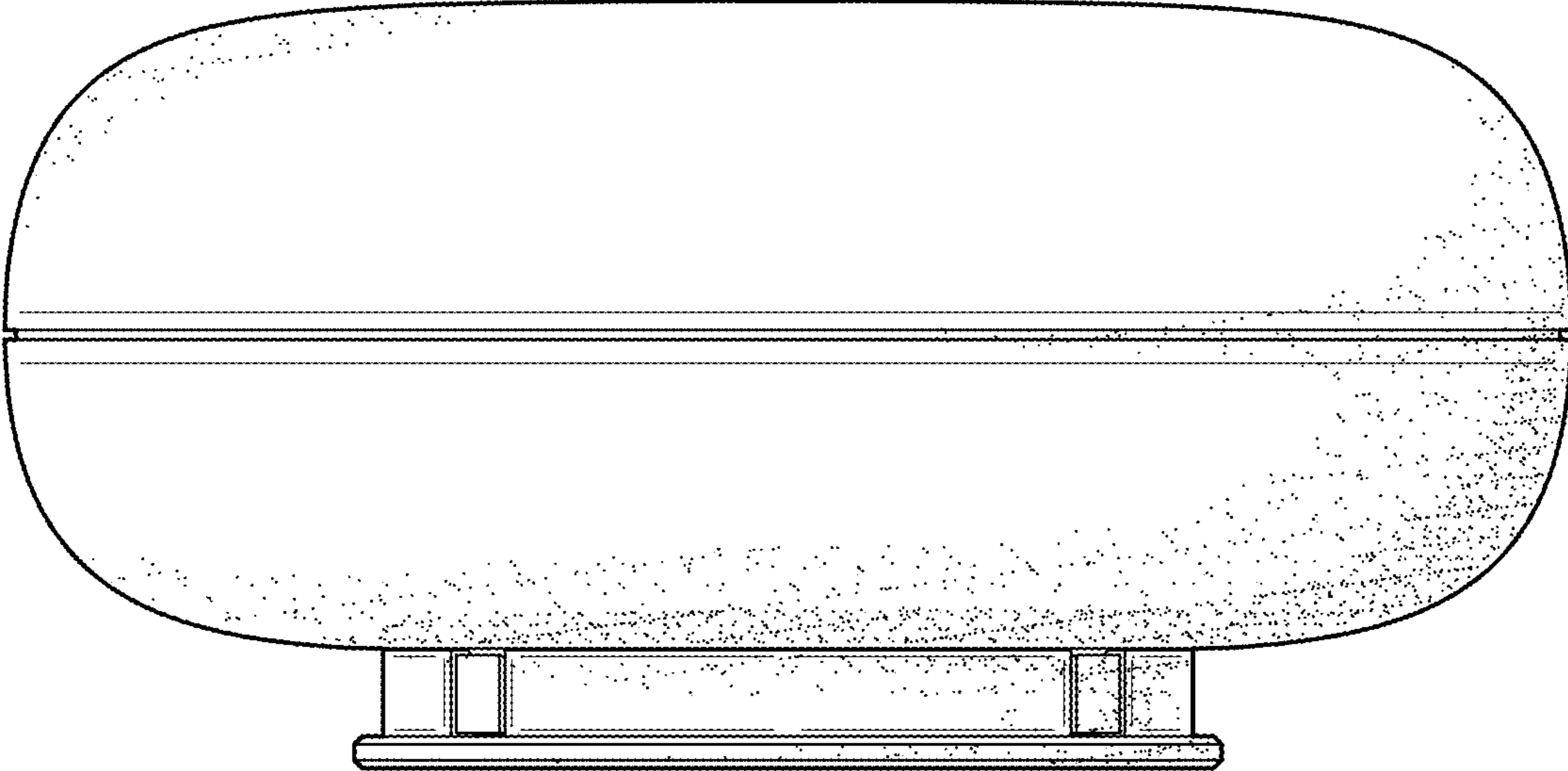


FIG. 4

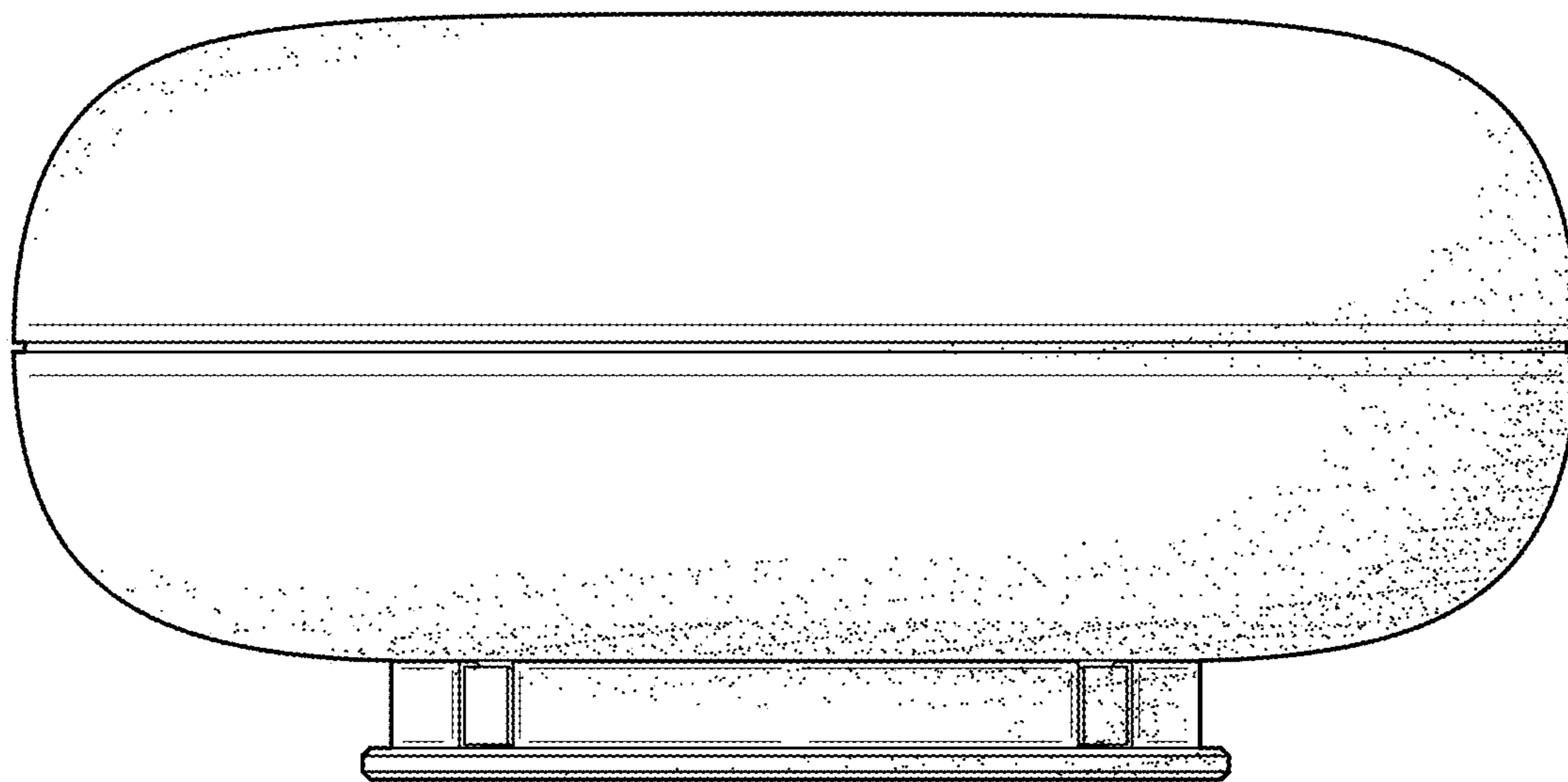


FIG. 5

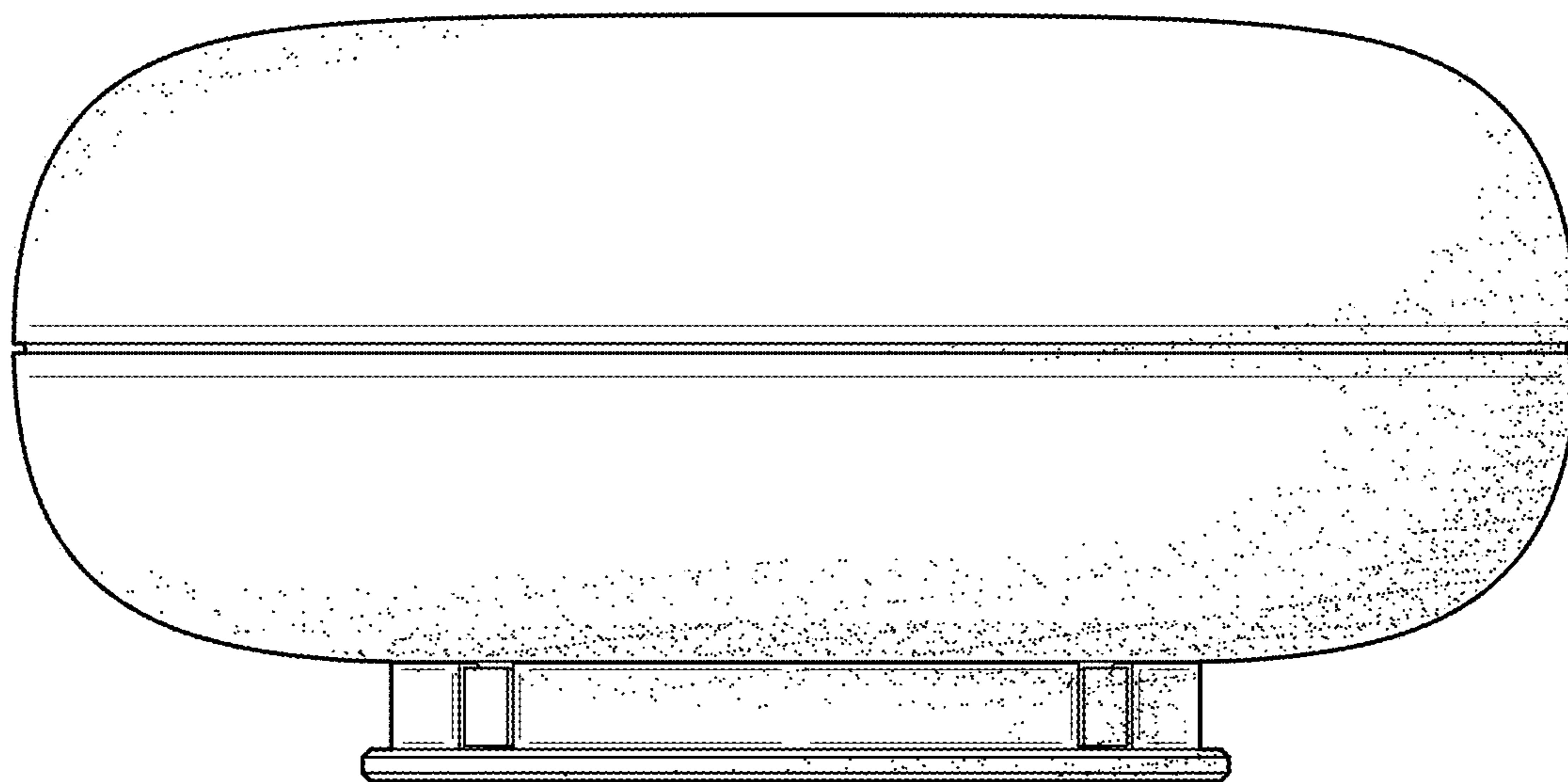


FIG. 6

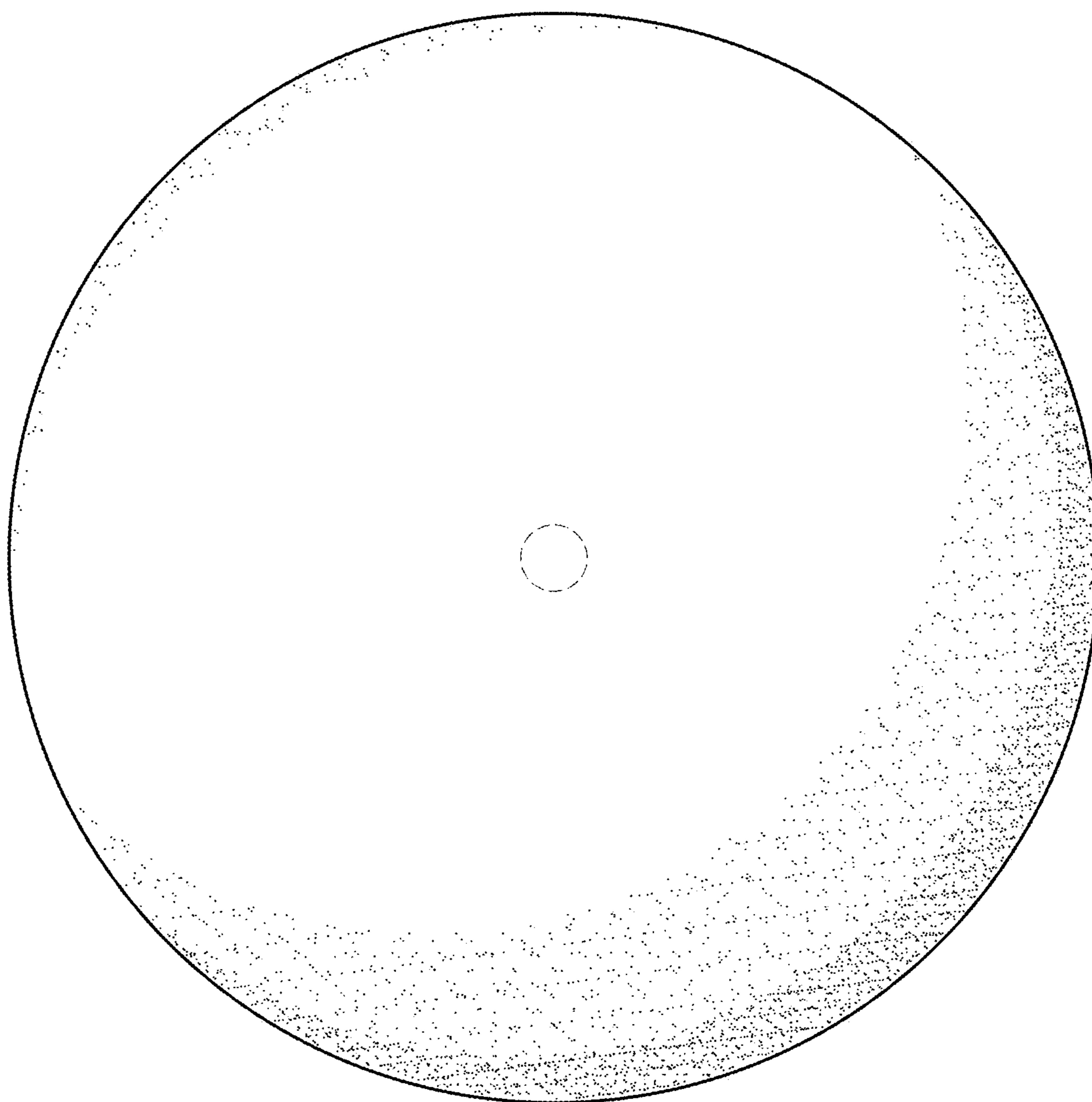


FIG. 7

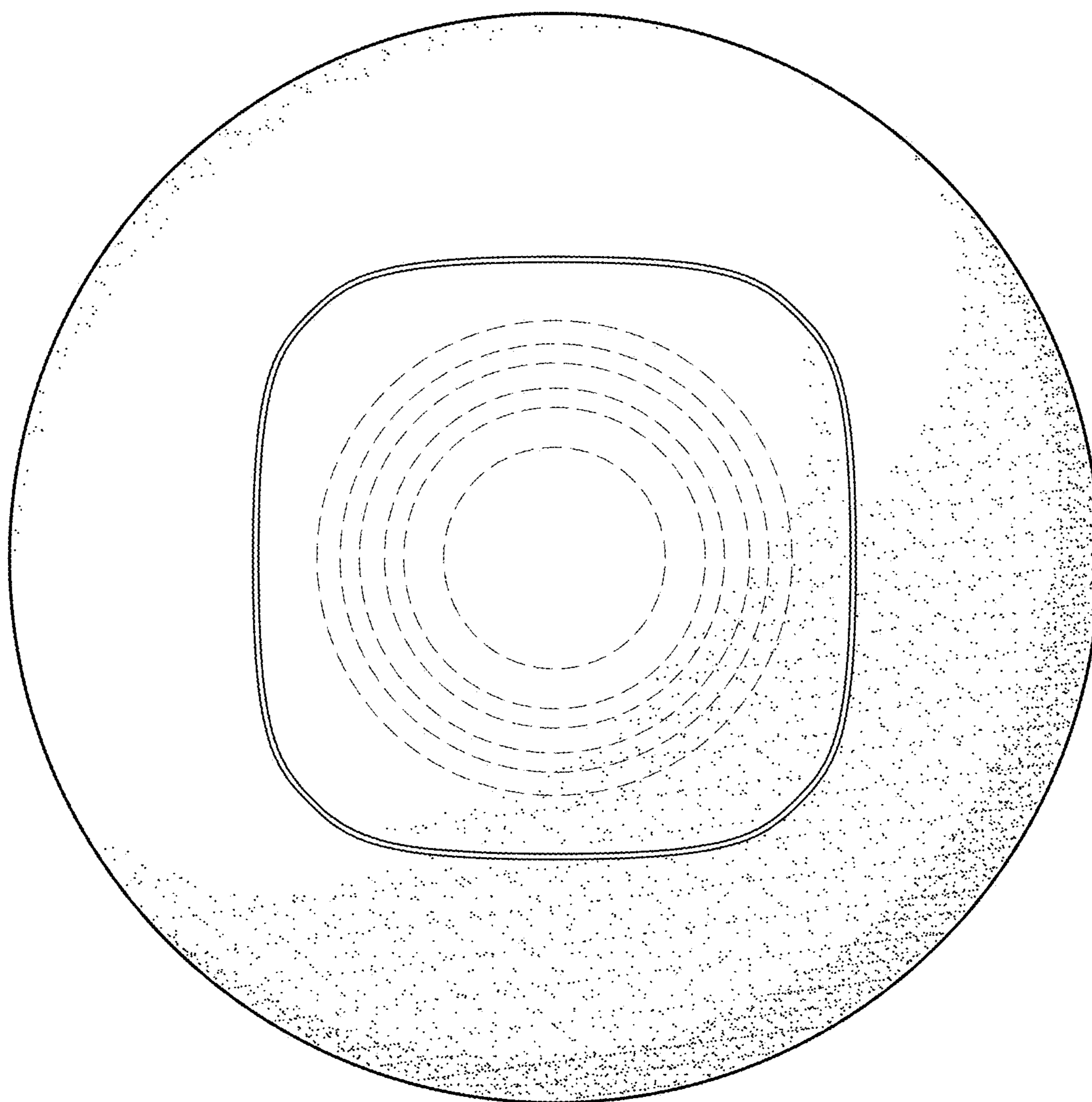


FIG. 8