



US00D920141S

(12) **United States Design Patent**  
**Zhou**

(10) **Patent No.:** **US D920,141 S**

(45) **Date of Patent:** **\*\* May 25, 2021**

(54) **FOOD THERMOMETER**

(71) Applicant: **Peng Zhou**, Fuzhou (CN)

(72) Inventor: **Peng Zhou**, Fuzhou (CN)

(73) Assignee: **FUZHOU HAILIANDA  
INSTRUMENT AND METER CO.,  
LTD**, Jiangxi (CN)

(\*\*) Term: **15 Years**

(21) Appl. No.: **29/759,606**

(22) Filed: **Nov. 24, 2020**

(51) **LOC (13) Cl.** ..... **10-04**

(52) **U.S. Cl.**  
USPC ..... **D10/57**

(58) **Field of Classification Search**  
USPC ..... D10/57  
CPC ..... G01K 2207/02; G01K 2207/04; G01K  
2207/06; G01K 2207/08  
See application file for complete search history.

(56) **References Cited**

**U.S. PATENT DOCUMENTS**

- D809,945 S \* 2/2018 Prommel ..... D10/57
- D837,668 S \* 1/2019 Zou ..... D10/57
- D838,192 S \* 1/2019 Yu ..... D10/57
- D852,653 S \* 7/2019 Zou ..... D10/57
- D853,253 S \* 7/2019 Zuo ..... D10/57

- D858,320 S \* 9/2019 Wang ..... D10/57
- D871,934 S \* 1/2020 Wu ..... D10/57
- D884,496 S \* 5/2020 Zhang ..... D10/57
- D884,498 S \* 5/2020 Yi ..... D10/57
- D884,499 S 5/2020 Yi
- D888,590 S \* 6/2020 Wang ..... D10/57
- D898,593 S \* 10/2020 Peng ..... D10/57
- D904,907 S \* 12/2020 Peng ..... D10/57
- D910,468 S \* 2/2021 Liu ..... D10/57

\* cited by examiner

*Primary Examiner* — Antoine Duval Davis

(74) *Attorney, Agent, or Firm* — Justin Lampel

(57) **CLAIM**

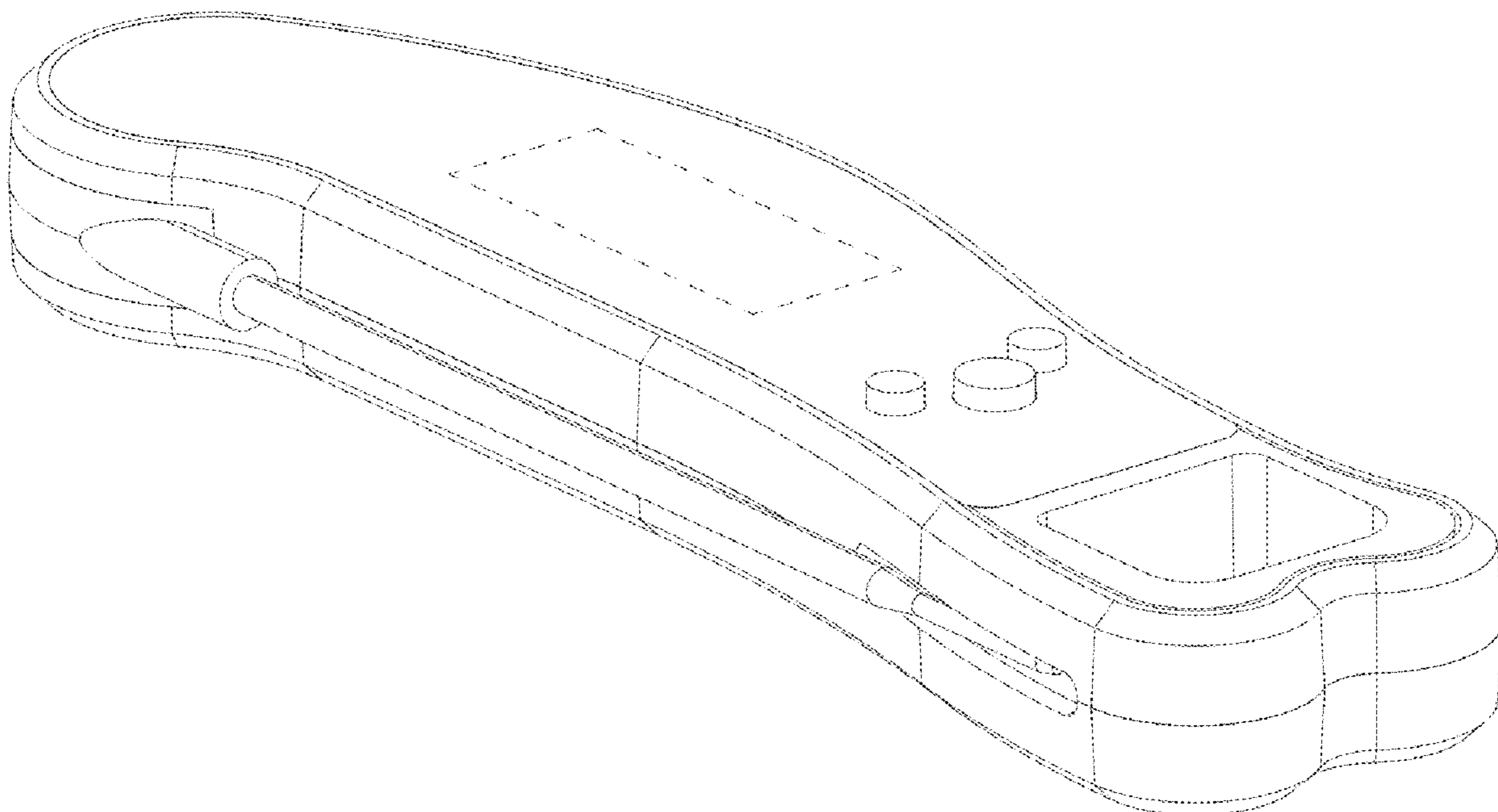
The ornamental design for a food thermometer, as shown and described.

**DESCRIPTION**

FIG. 1 is a perspective view of a food thermometer showing the claimed design;  
 FIG. 2 is a top plan view thereof;  
 FIG. 3 is a rear elevational view thereof;  
 FIG. 4 is a bottom plan view thereof;  
 FIG. 5 is a right side view thereof;  
 FIG. 6 is a front elevational view thereof;  
 FIG. 7 is a left side view thereof; and,  
 FIG. 8 illustrates the food thermometer of FIGS. 1-7 with the pin in the unfolded orientation.

The broken lines illustrate portions of the food thermometer that form no part of the claimed design.

**1 Claim, 8 Drawing Sheets**



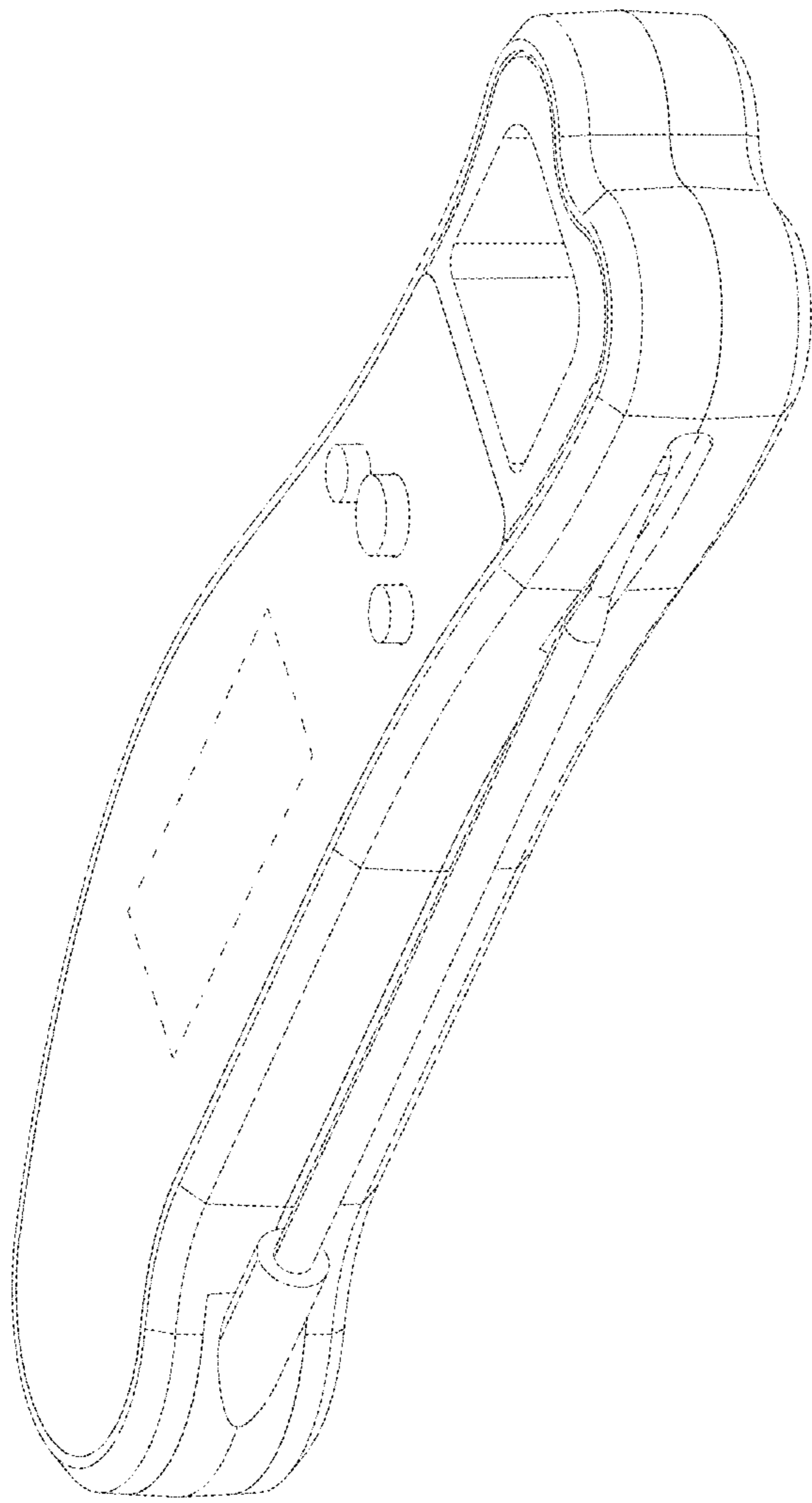


FIG. 1

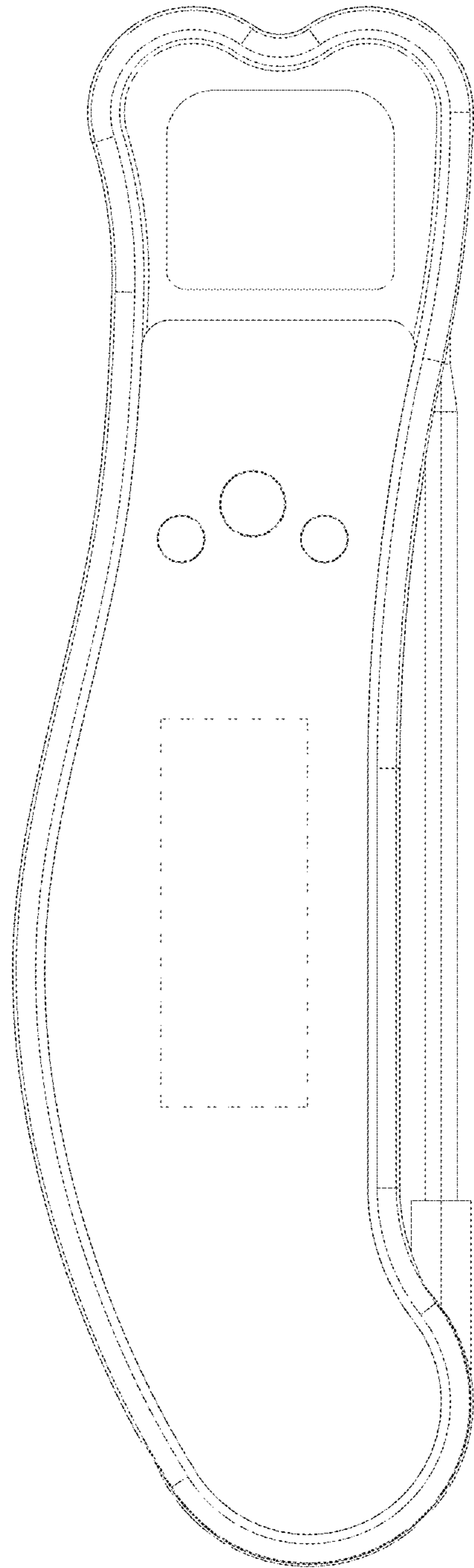


FIG. 2

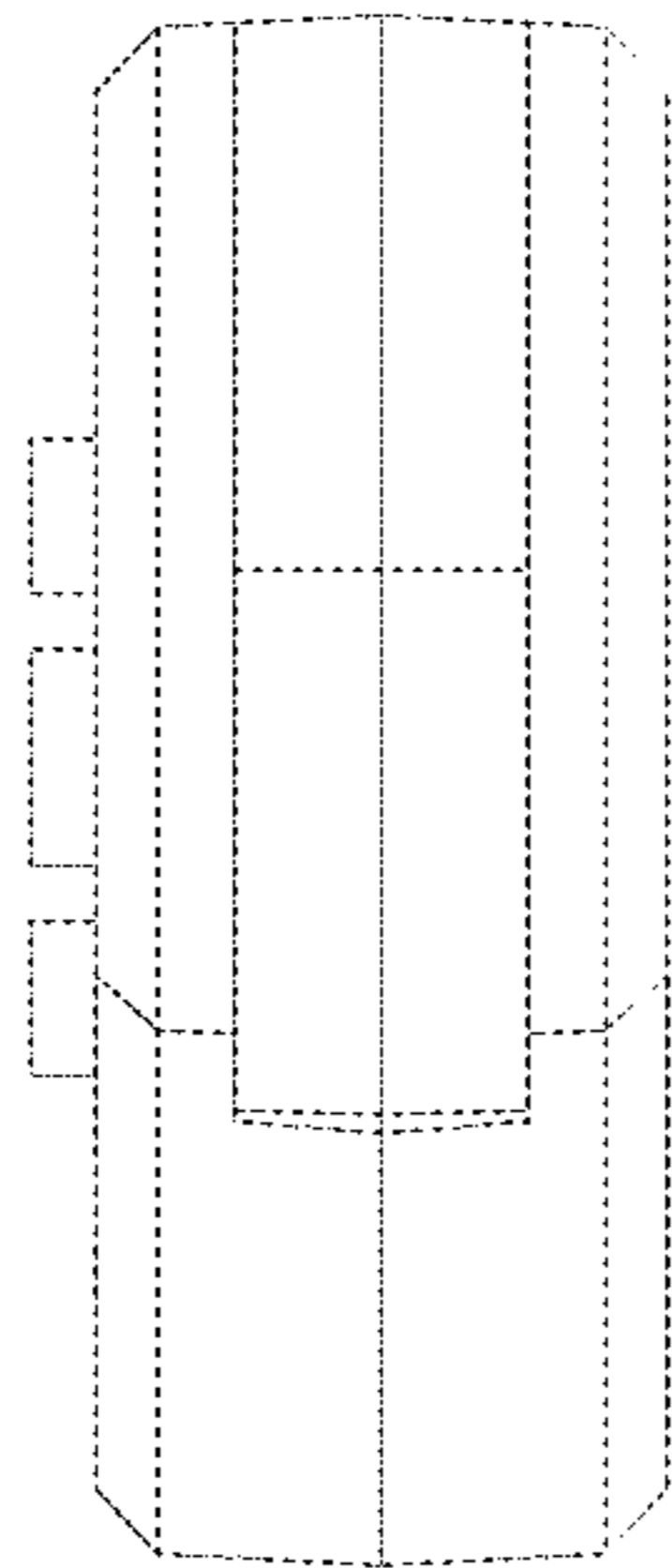


FIG. C

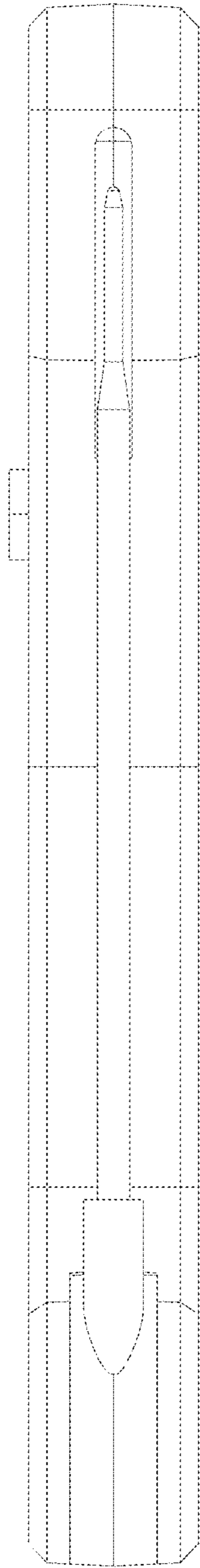


FIG. 4

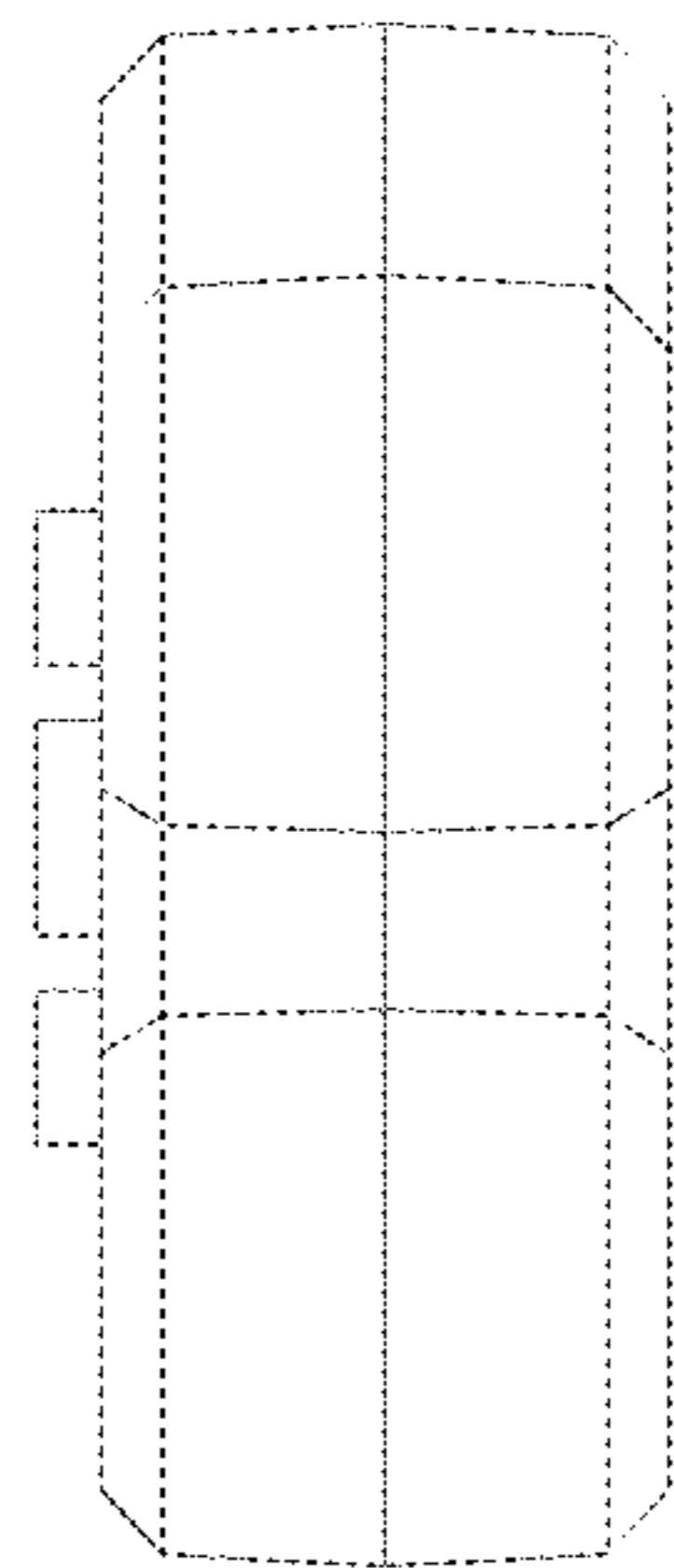


FIG. 5

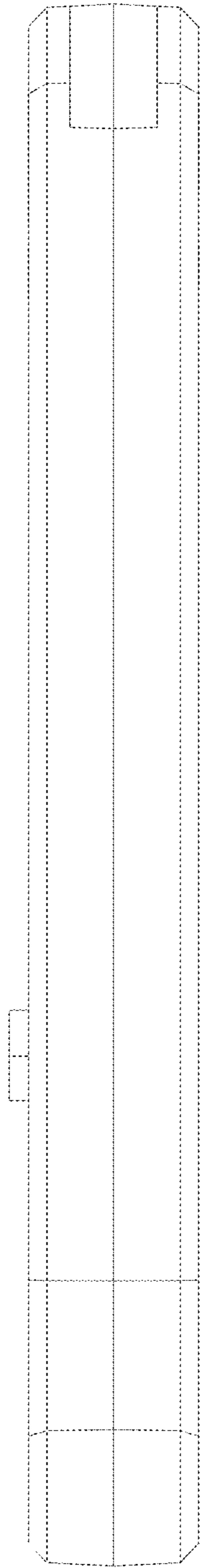


FIG. 6

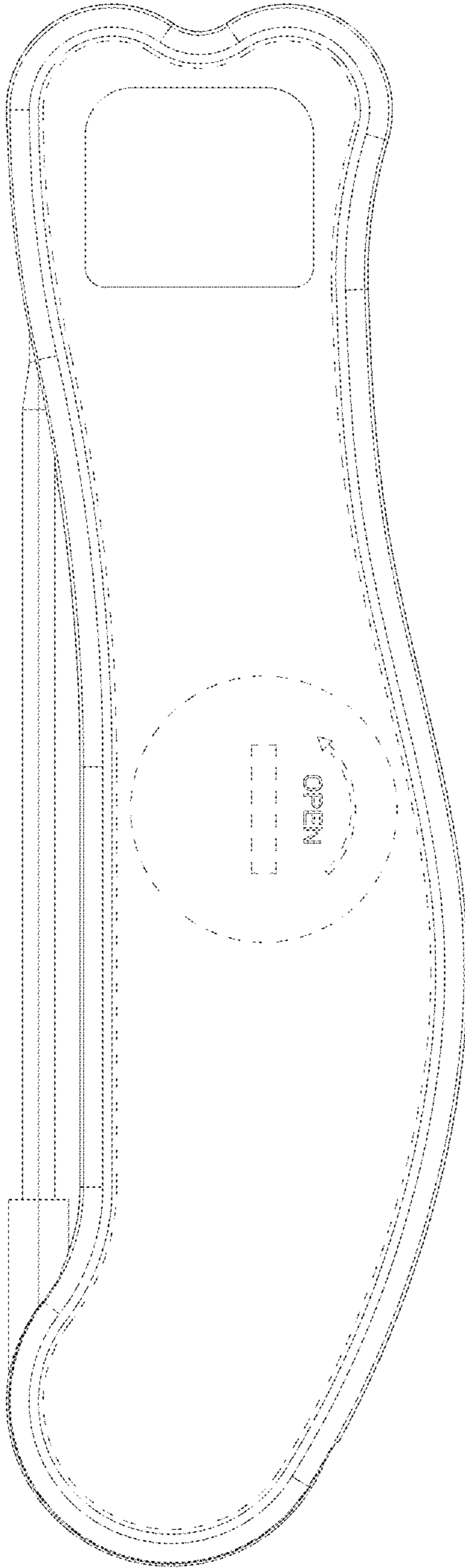


FIG. 7



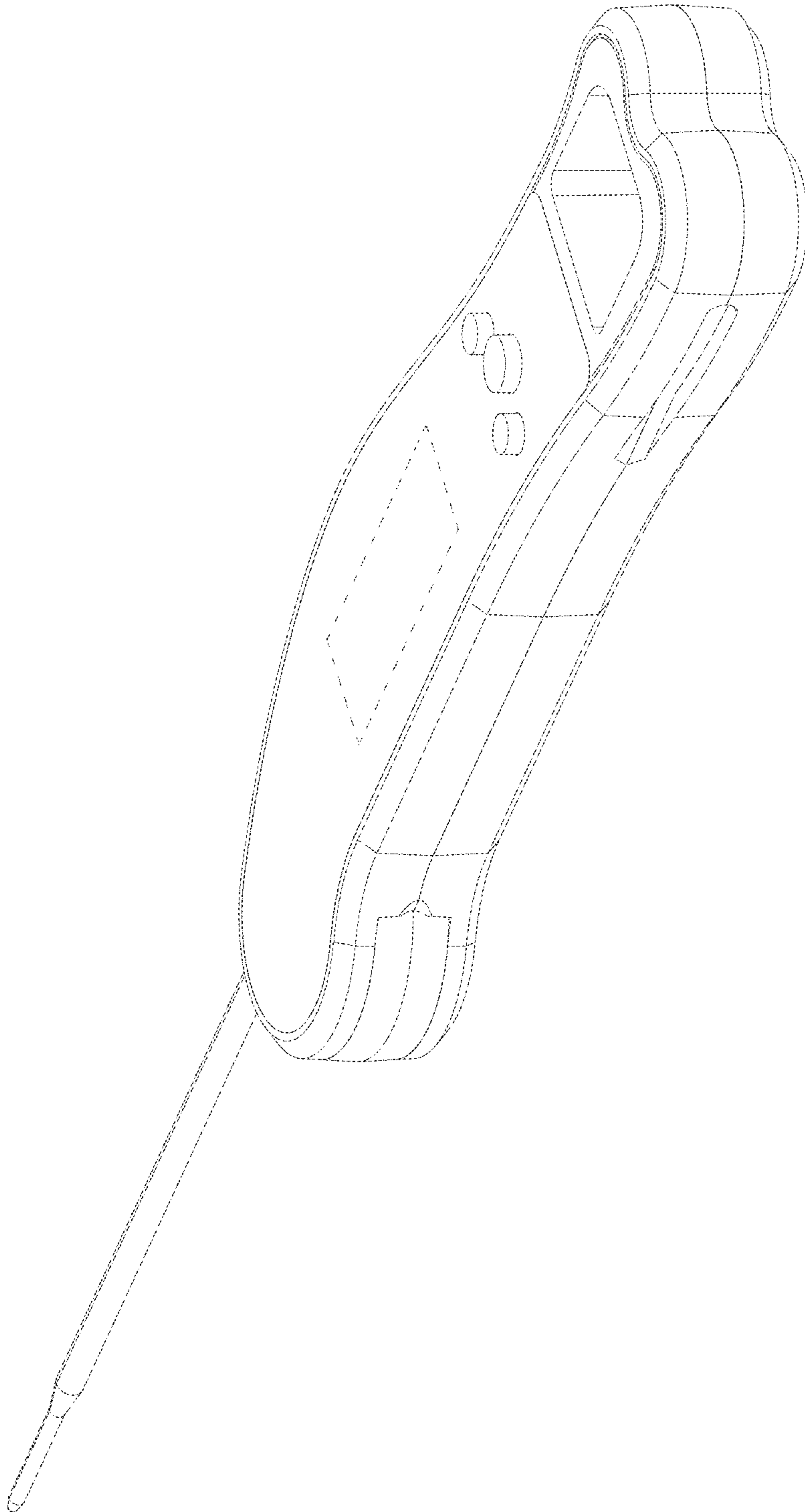


FIG. 8