



US00D920139S

(12) **United States Design Patent**
Newport-Peace et al.

(10) **Patent No.:** **US D920,139 S**

(45) **Date of Patent:** **** May 25, 2021**

(54) **METAL DETECTOR**

9,753,122 B2 9/2017 Duvoisin, III et al.
10,082,572 B2 9/2018 Duvoisin, III et al.
D885,940 S * 6/2020 Huang D10/47

(71) Applicant: **Minelab Electronics Pty Limited**,
Mawson Lakes (AU)

* cited by examiner

(72) Inventors: **David Campbell Newport-Peace**,
Mawson Lakes (AU); **Cosmo Luppino**,
Mawson Lakes (AU); **Nicholas Schultz**,
Mawson Lakes (AU)

Primary Examiner — Antoine Duval Davis
(74) *Attorney, Agent, or Firm* — The Webb Law Firm

(73) Assignee: **Minelab Electronics Pty. Limited**,
South Australia (AU)

(57) **CLAIM**

The ornamental design for a metal detector, as shown and described.

(**) Term: **15 Years**

DESCRIPTION

(21) Appl. No.: **29/693,626**

(22) Filed: **Jun. 4, 2019**

(51) **LOC (13) Cl.** **10-04**

(52) **U.S. Cl.**

USPC **D10/47**

(58) **Field of Classification Search**

USPC D10/47

CPC ... G01V 3/00; G01V 3/02; G01V 3/04; G01V 3/06; G01V 3/08; G01V 3/081; G01V 3/082; G01V 3/083; G01V 2003/084; G01V 2003/085; G01V 2003/086; G01V 3/087; G01V 3/088; G01V 3/10; G01V 3/101; G01V 3/102; G01V 3/104; G01V 3/105; G01V 3/107; G01V 3/108; G01V 3/12; G01V 3/14; G01V 3/15; G01V 3/16; G01V 3/165; G01V 3/17; G01V 3/175; G01V 3/18; G01V 3/20; G01V 3/22; G01V 3/24; G01V 3/26; G01V 3/265; G01V 3/28; G01V 3/30; G01V 3/32; G01V 3/34; G01V 3/36; G01V 3/38; G01V 3/40

See application file for complete search history.

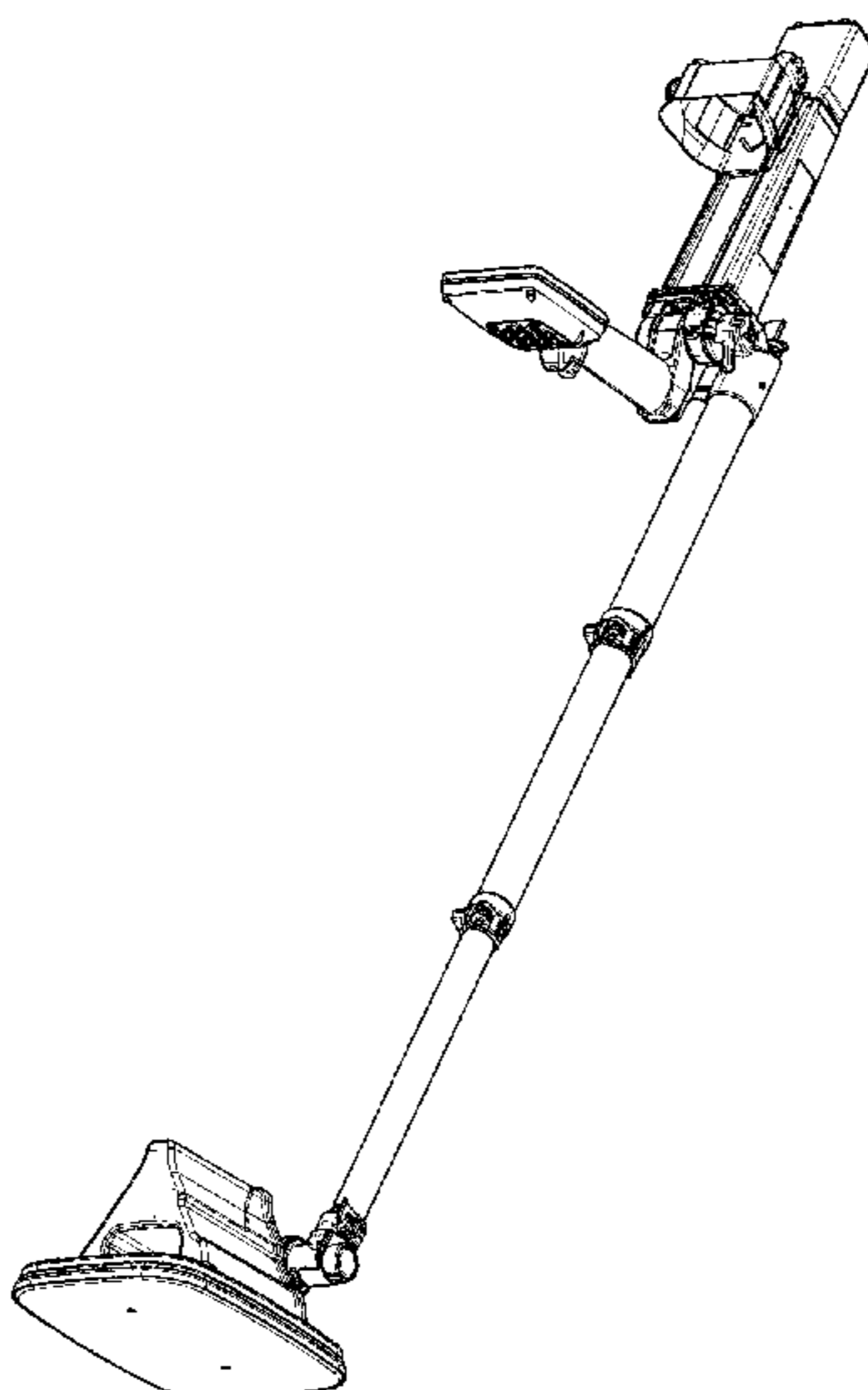
FIG. 1 is a front perspective view of a metal detector showing our new design in a collapsed configuration; FIG. 2 is a top view thereof in a collapsed configuration; FIG. 3 is a front elevation view thereof in a collapsed configuration; FIG. 4 is a right side elevation view thereof in a collapsed configuration; FIG. 5 is a bottom view thereof in a collapsed configuration; FIG. 6 is a rear elevation view thereof in a collapsed configuration; FIG. 7 is a left side elevation view thereof in a collapsed configuration; FIG. 8 is a front perspective view thereof in an expanded configuration; FIG. 9 is a front elevation view thereof in an expanded configuration; FIG. 10 is a right side elevation view thereof in an expanded configuration; FIG. 11 is a rear elevation view thereof in an expanded configuration; FIG. 12 is a left side elevation view thereof in an expanded configuration; FIG. 13 is a top view thereof in an expanded configuration; and, FIG. 14 is a bottom view thereof in an expanded configuration.

(56) **References Cited**

U.S. PATENT DOCUMENTS

7,532,127 B2 5/2009 Holman et al.

1 Claim, 6 Drawing Sheets



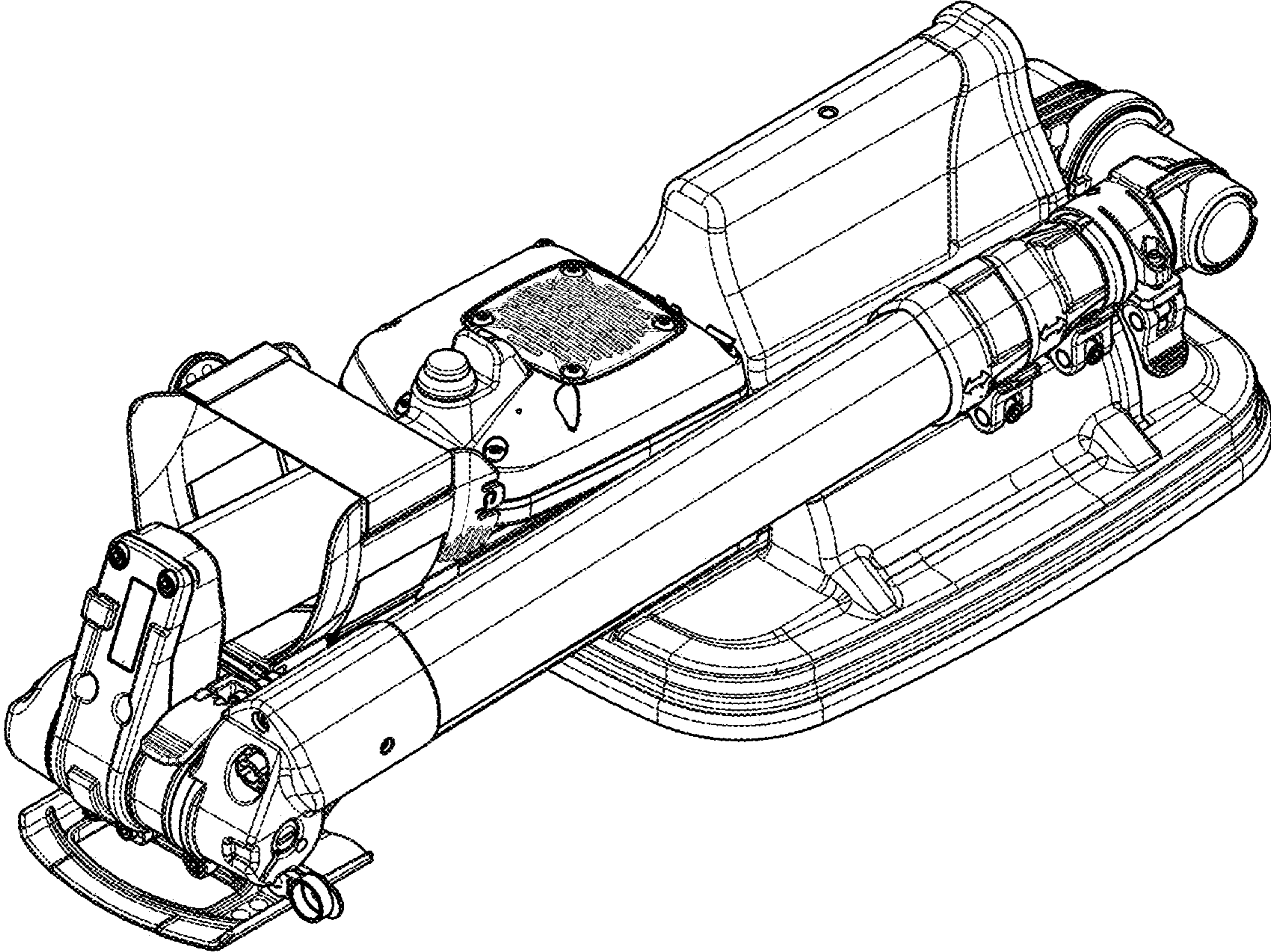


FIG. 1

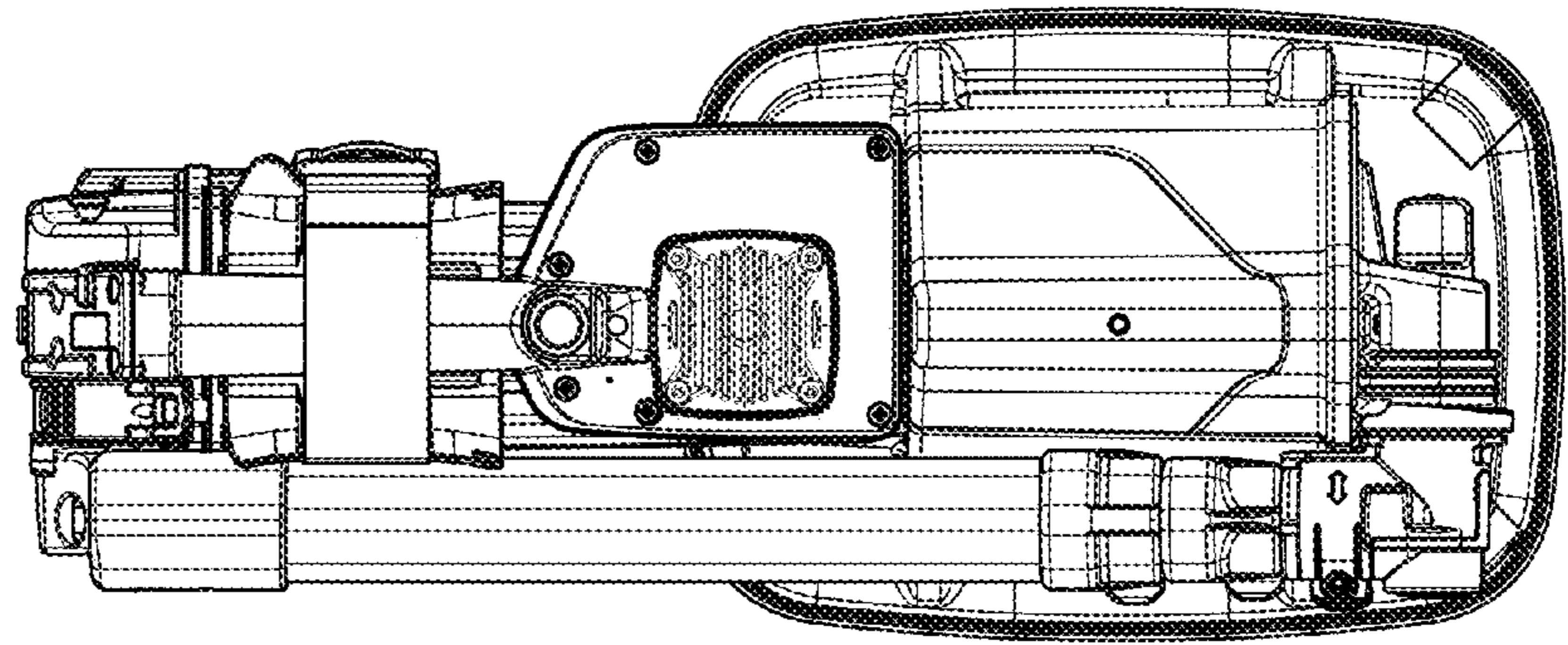


FIG. 2

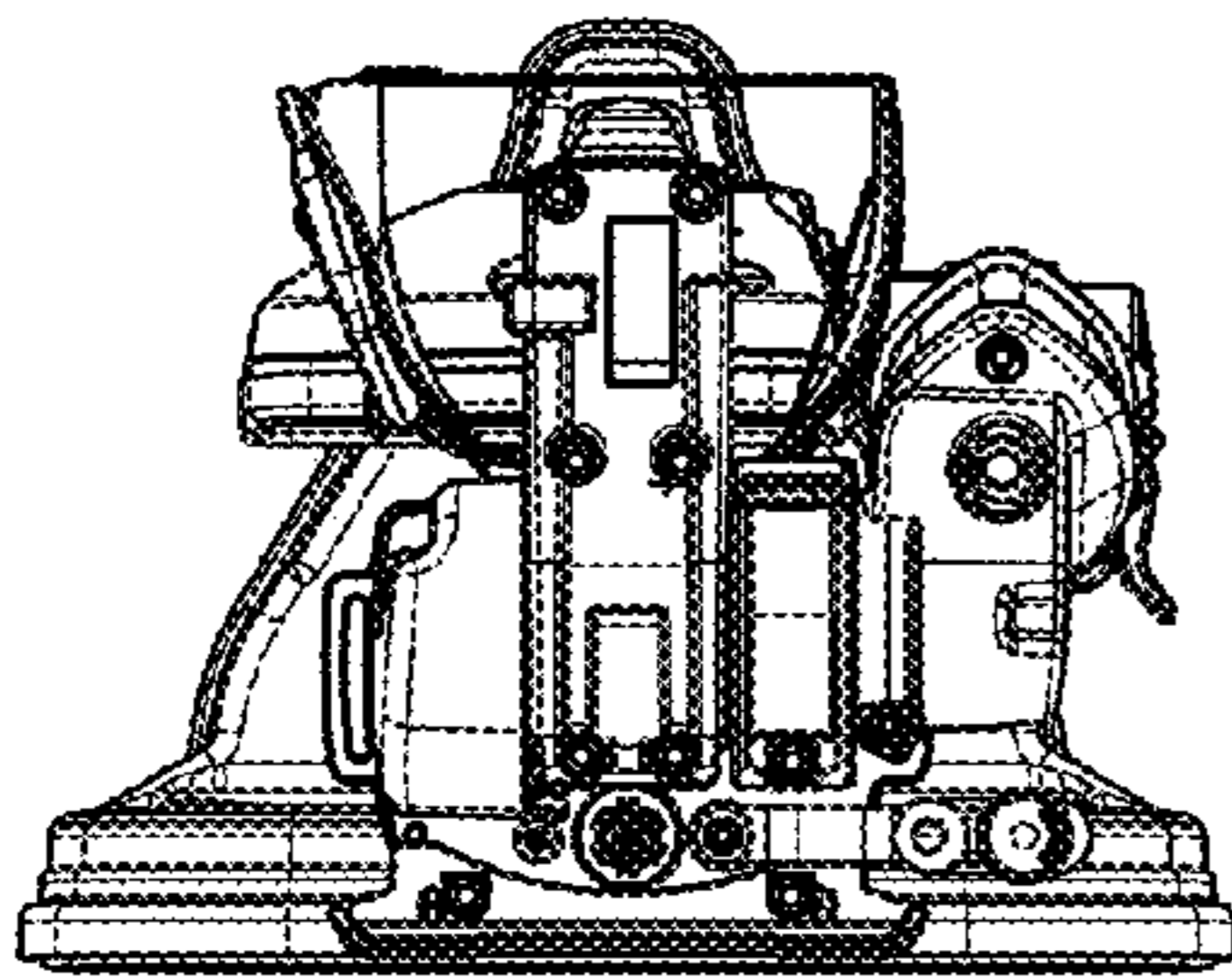


FIG. 3

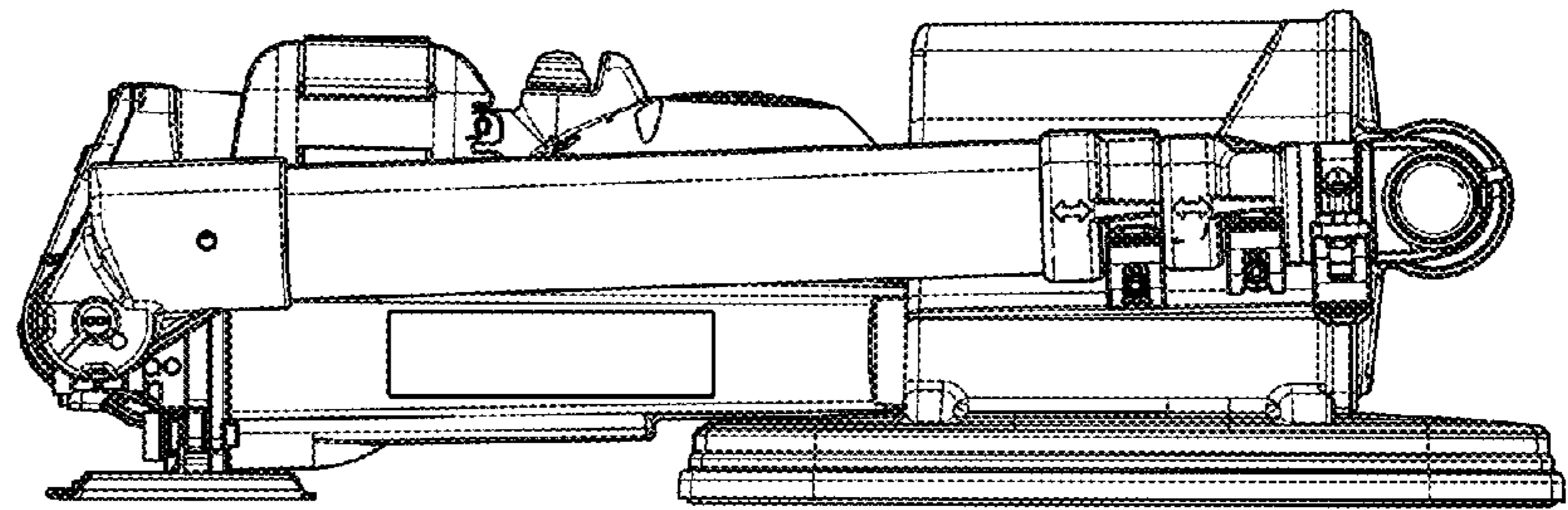


FIG. 4

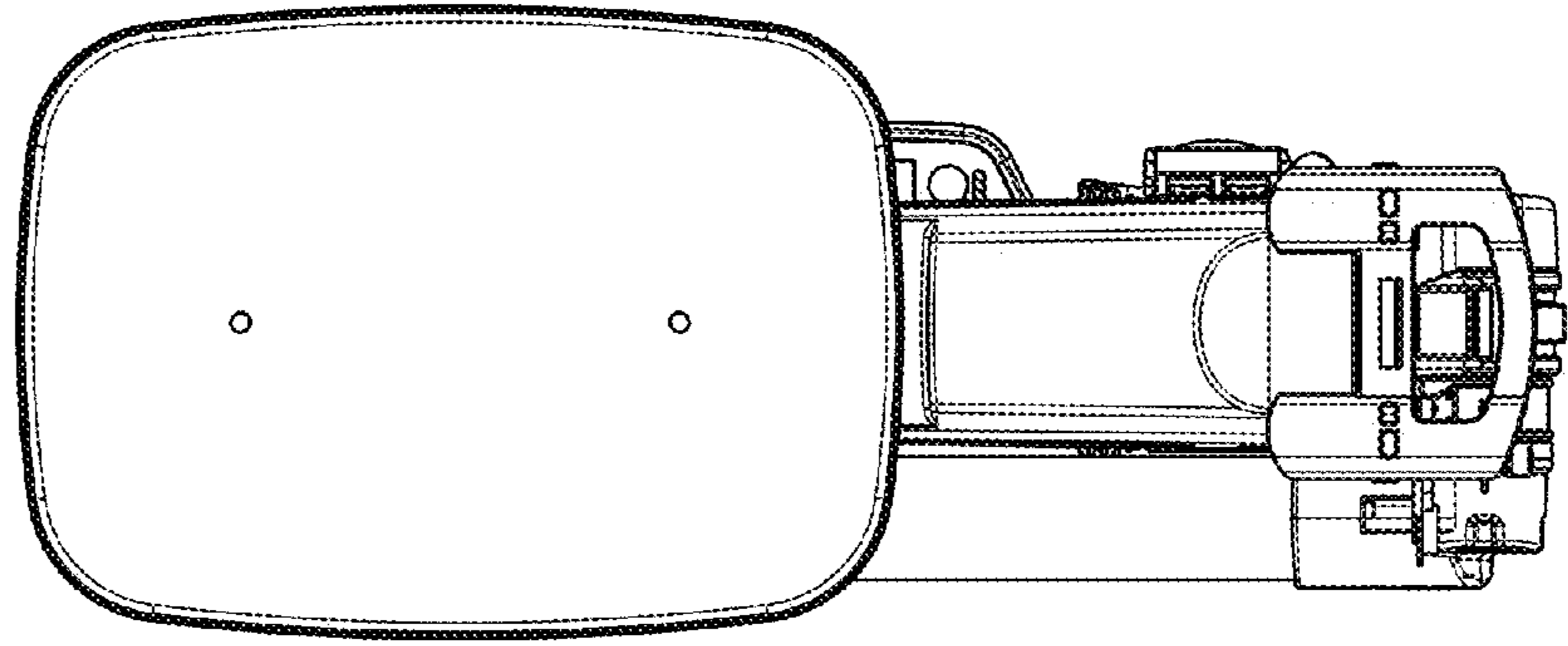


FIG. 5

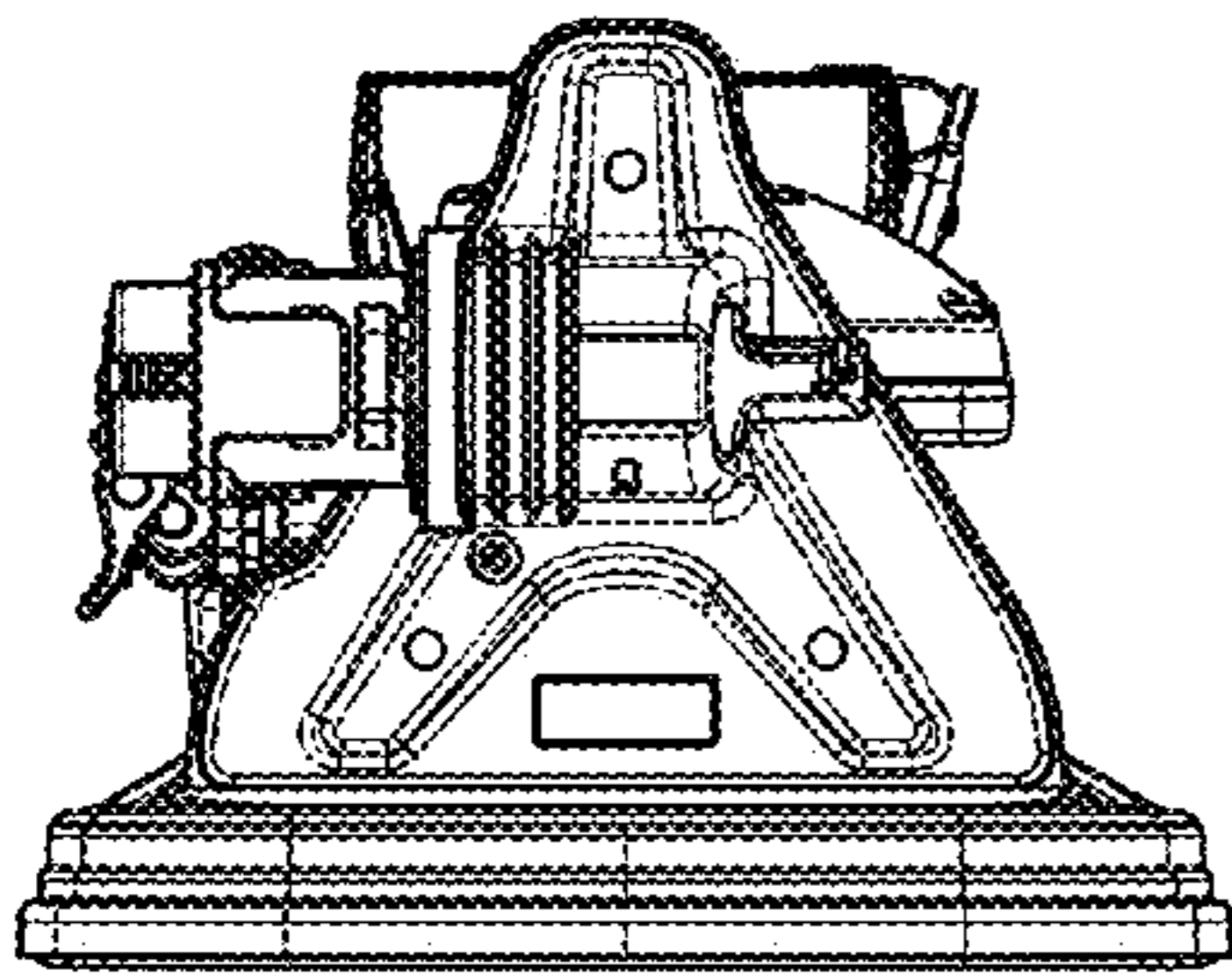


FIG. 6

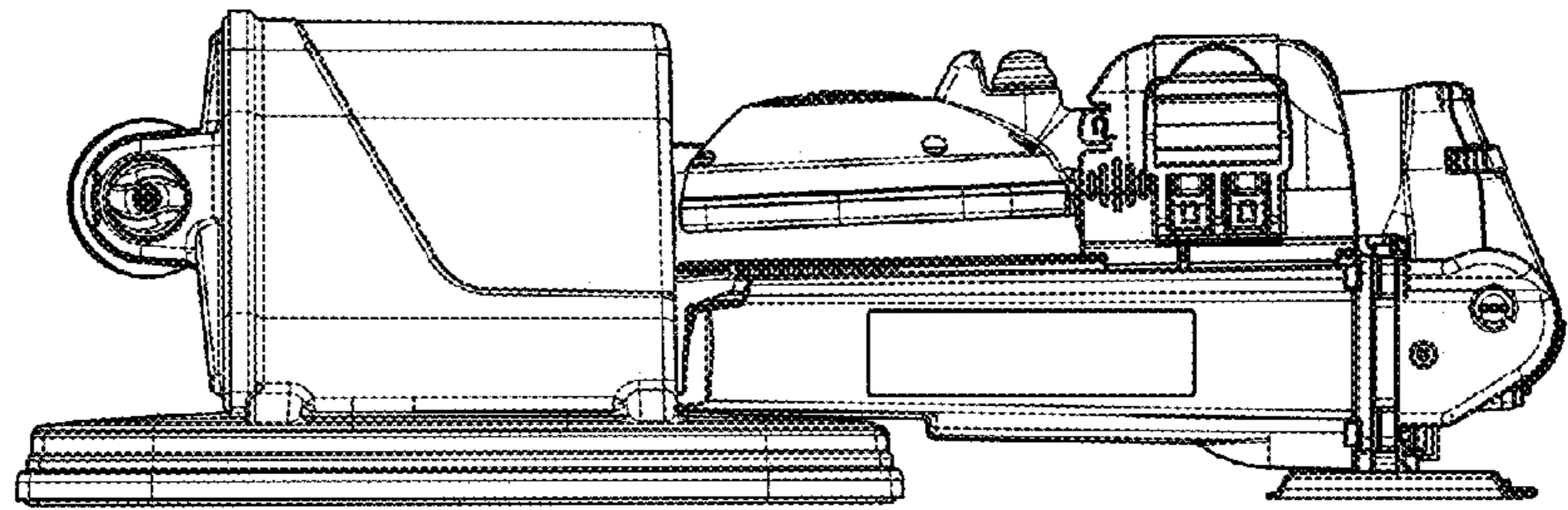


FIG. 7

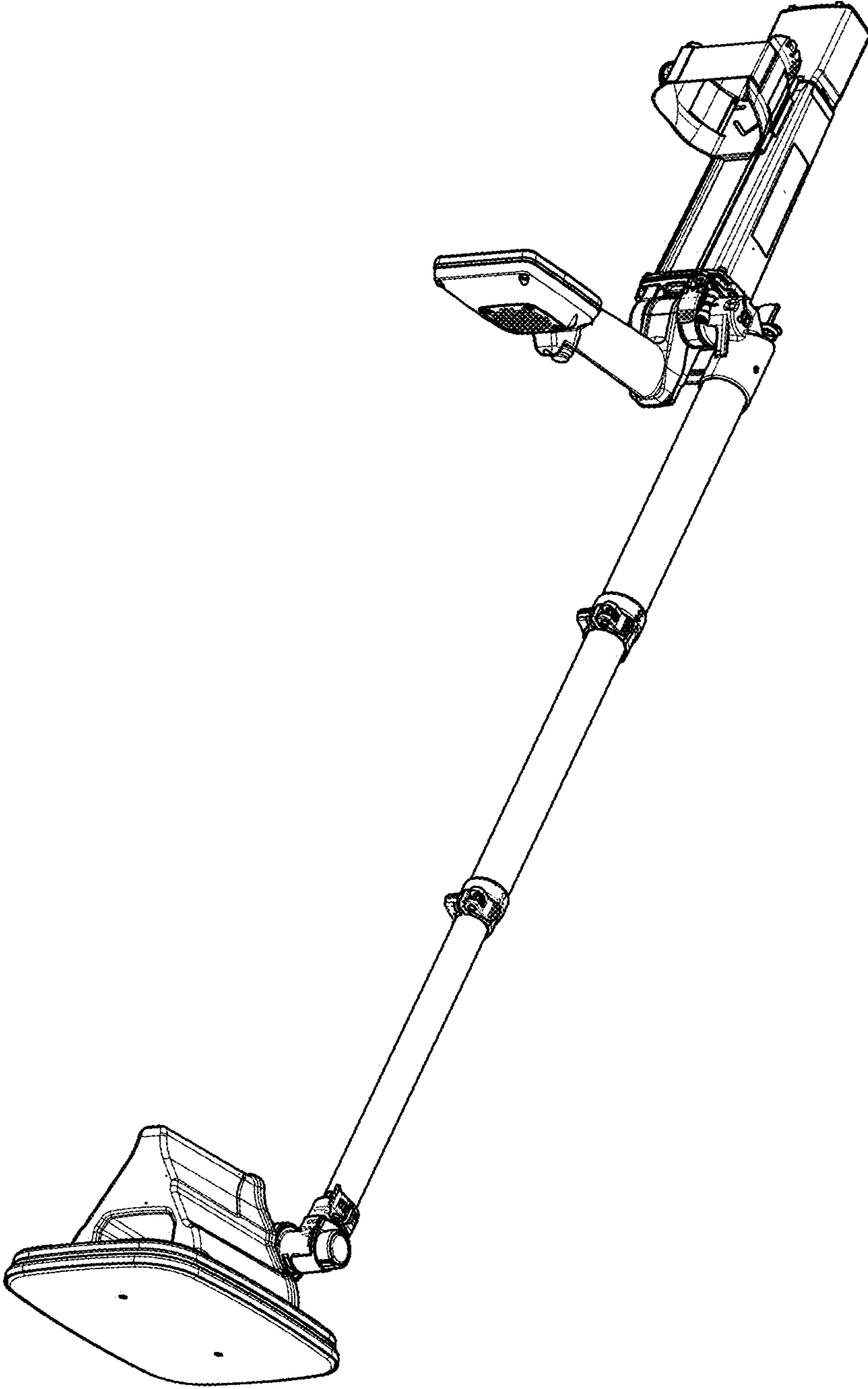


FIG. 8

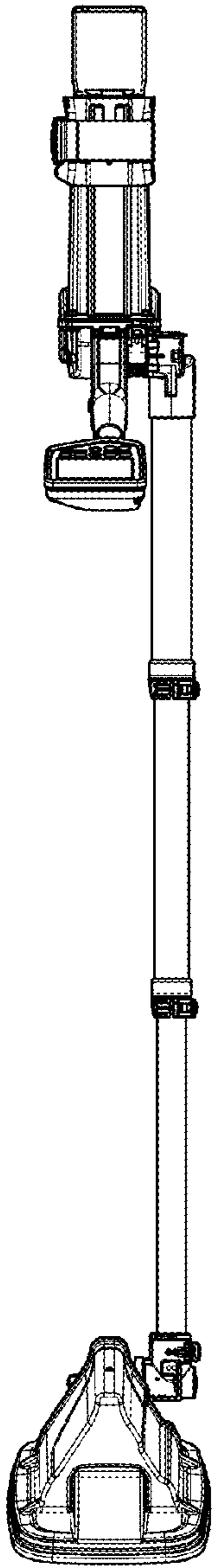


FIG. 9

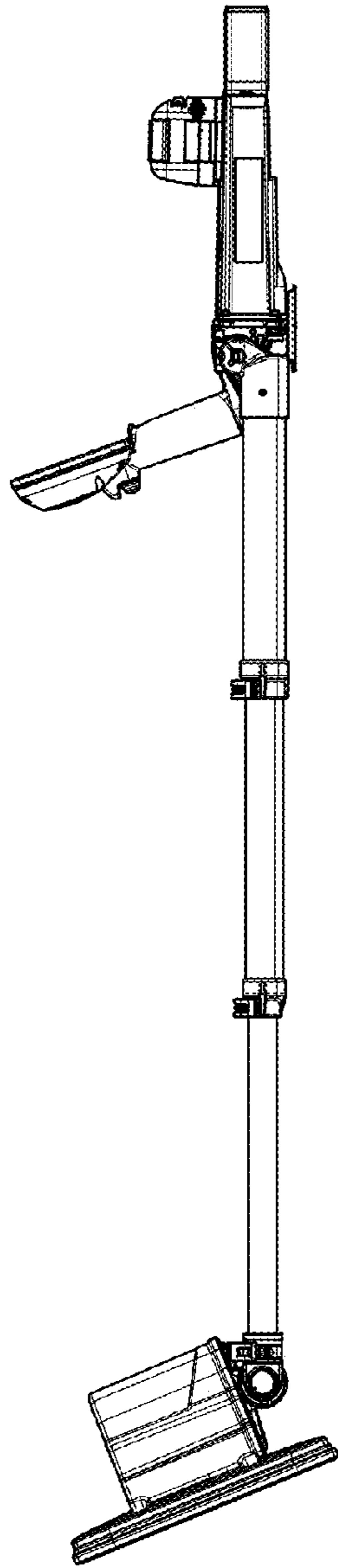


FIG. 10

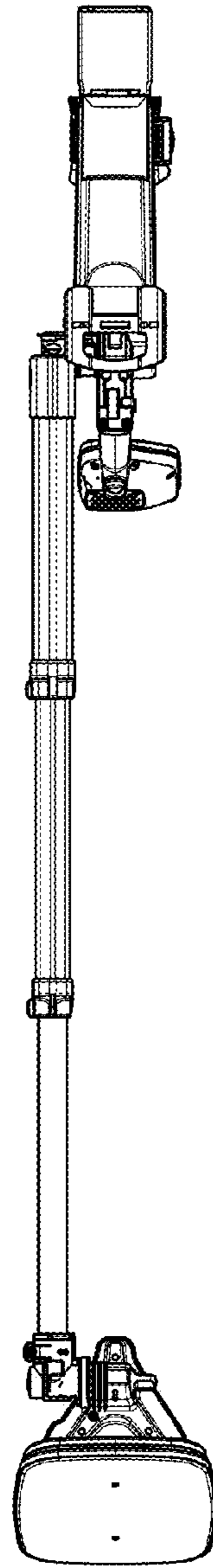


FIG. 11

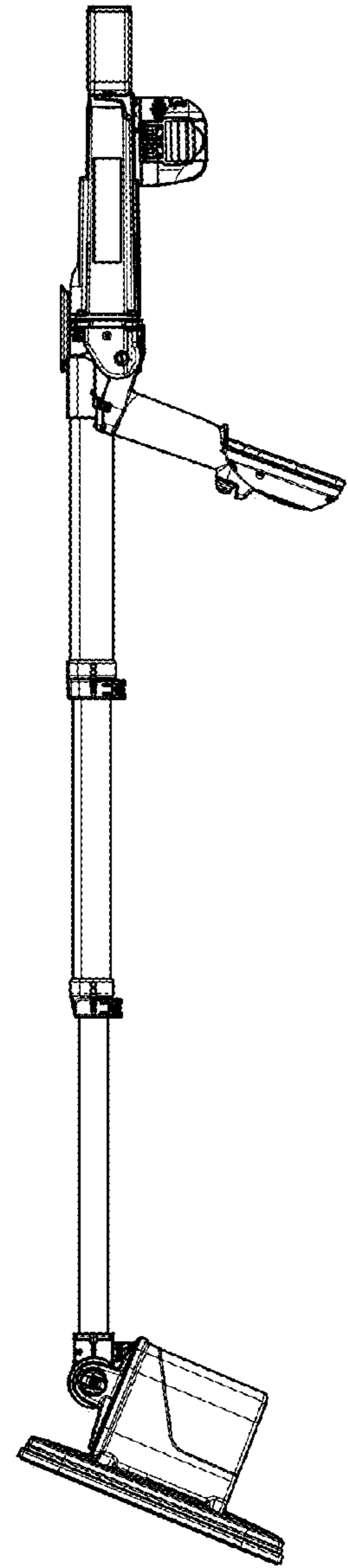


FIG. 12

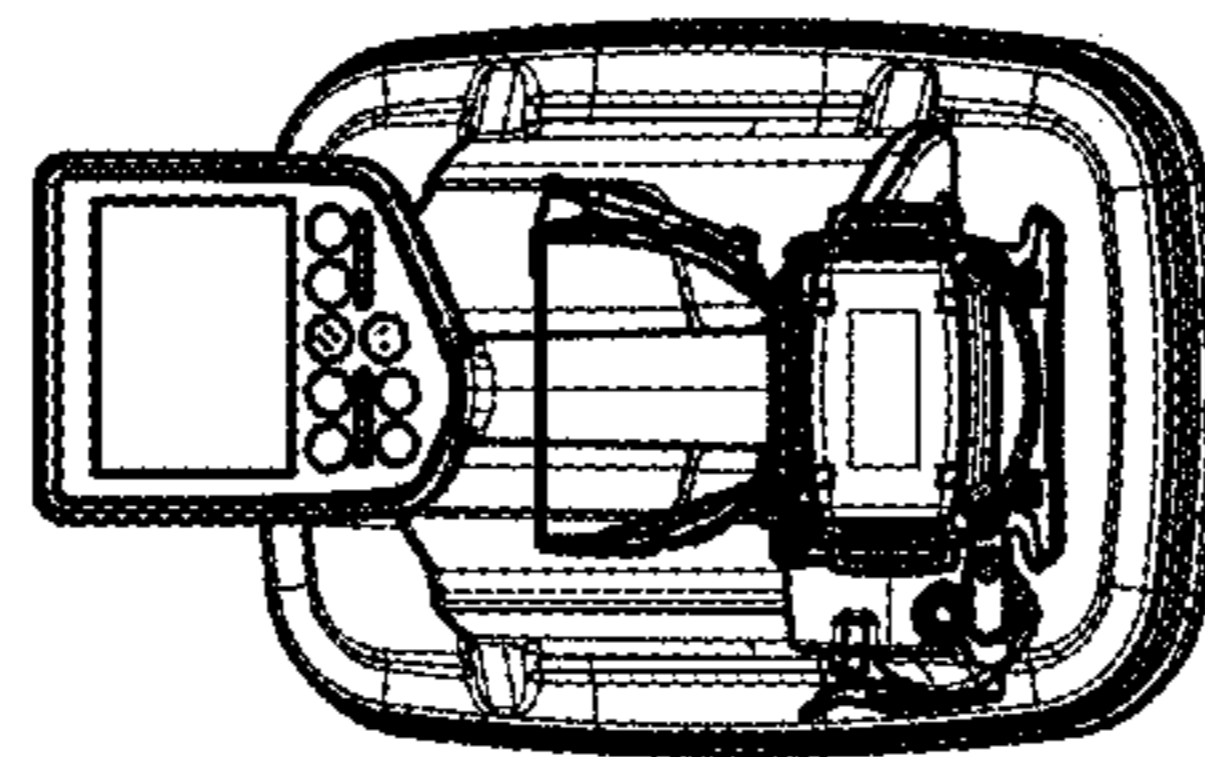


FIG. 13

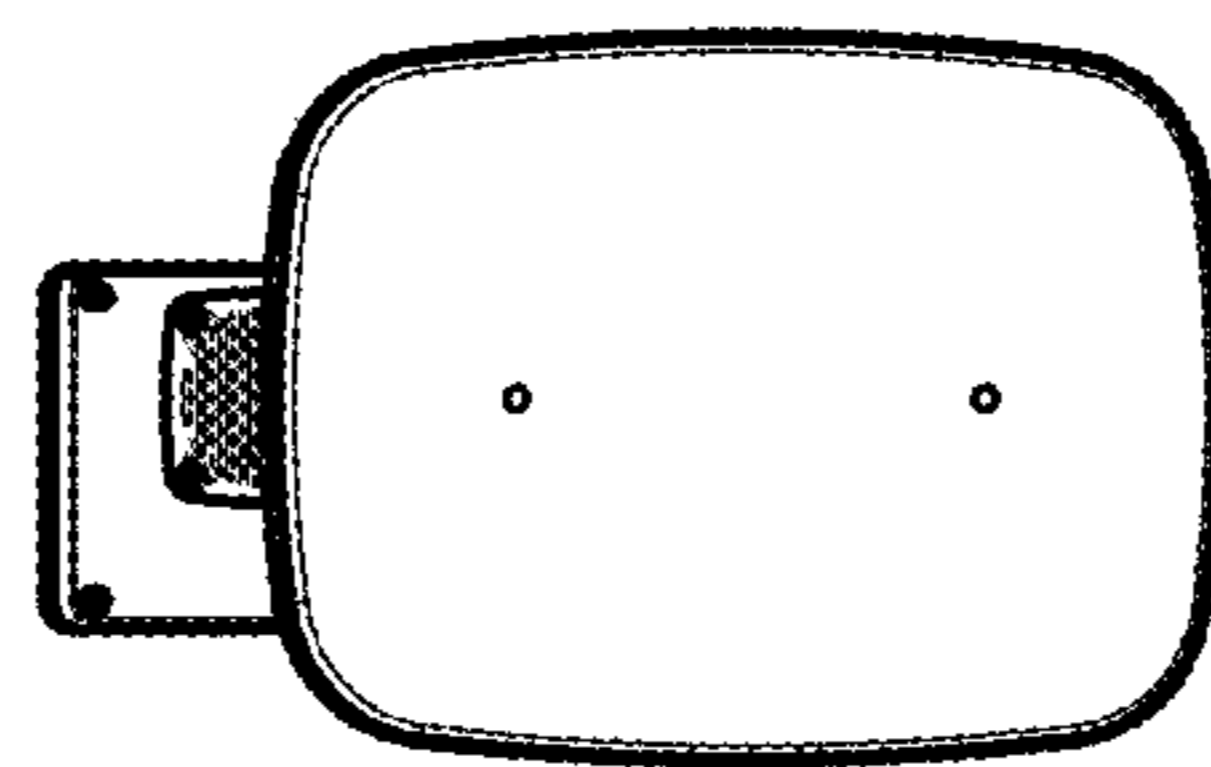


FIG. 14