



US00D920137S

(12) **United States Design Patent** (10) **Patent No.:** **US D920,137 S**
Ellis et al. (45) **Date of Patent:** **** May 25, 2021**

- (54) **ACOUSTIC IMAGING DEVICE**
- (71) Applicant: **Intel Corporation**, Santa Clara, CA (US)
- (72) Inventors: **Keith A. Ellis**, Carlow (IE); **Niall Cahill**, Galway (IE); **Mark Y. Kelly**, Leixlip (IE); **Gabriel Mullarkey**, Chapelizod (IE)
- (73) Assignee: **Intel Corporation**, Santa Clara, CA (US)
- (**) Term: **15 Years**
- (21) Appl. No.: **29/639,602**
- (22) Filed: **Mar. 7, 2018**
- (51) **LOC (13) Cl.** **10-04**
- (52) **U.S. Cl.**
USPC **D10/46; D16/203**
- (58) **Field of Classification Search**
USPC D24/107, 158–161, 186; D10/46; D14/222, 226; D12/345; D16/203; D13/182; D5/1–3, 55, 58, 60–62
CPC A61B 5/0095; A61B 5/0097; H04R 3/005; G01S 3/80; G01S 3/808
See application file for complete search history.

- (56) **References Cited**
U.S. PATENT DOCUMENTS
983,416 A * 2/1911 Young H04R 7/12 181/164
D100,155 S * 6/1936 Daniels D5/1
D333,468 S * 2/1993 Hansen D14/222
6,741,382 B1 * 5/2004 Sonpatki G02F 1/116 359/285
D516,318 S * 3/2006 Hasenoehrl D5/1
7,577,260 B1 * 8/2009 Hooley F41H 13/0081 381/307
D608,785 S * 1/2010 Hsu D14/388
D613,464 S * 4/2010 Cook D30/161

- D621,804 S * 8/2010 Sip D13/180
- 9,040,360 B1 * 5/2015 Minervini H04R 19/016 257/704
- 9,674,626 B1 * 6/2017 Ebenezer H04R 29/005
- 9,736,580 B2 * 8/2017 Cahill G01S 3/801
- 10,004,392 B2 * 6/2018 Millard A61B 1/05
- 2008/0097198 A1 * 4/2008 Miwa A61B 5/0059 600/431
- 2011/0042213 A1 * 2/2011 Updyke G01N 27/44778 204/461

(Continued)

Primary Examiner — Anhdao Doan
(74) *Attorney, Agent, or Firm* — Hanley, Flight and Zimmerman, LLC

(57) **CLAIM**

The ornamental design for an “acoustic imaging device”, as shown and described.

DESCRIPTION

FIG. 1 is a right, front perspective view of an acoustic imaging device having rectangular apertures for microphones.

FIG. 2 is a front view of the acoustic imaging device of FIG. 1.

FIG. 3 is a rear view of the acoustic imaging device of FIG. 1.

FIG. 4 is a top view of the acoustic imaging device of FIG. 1.

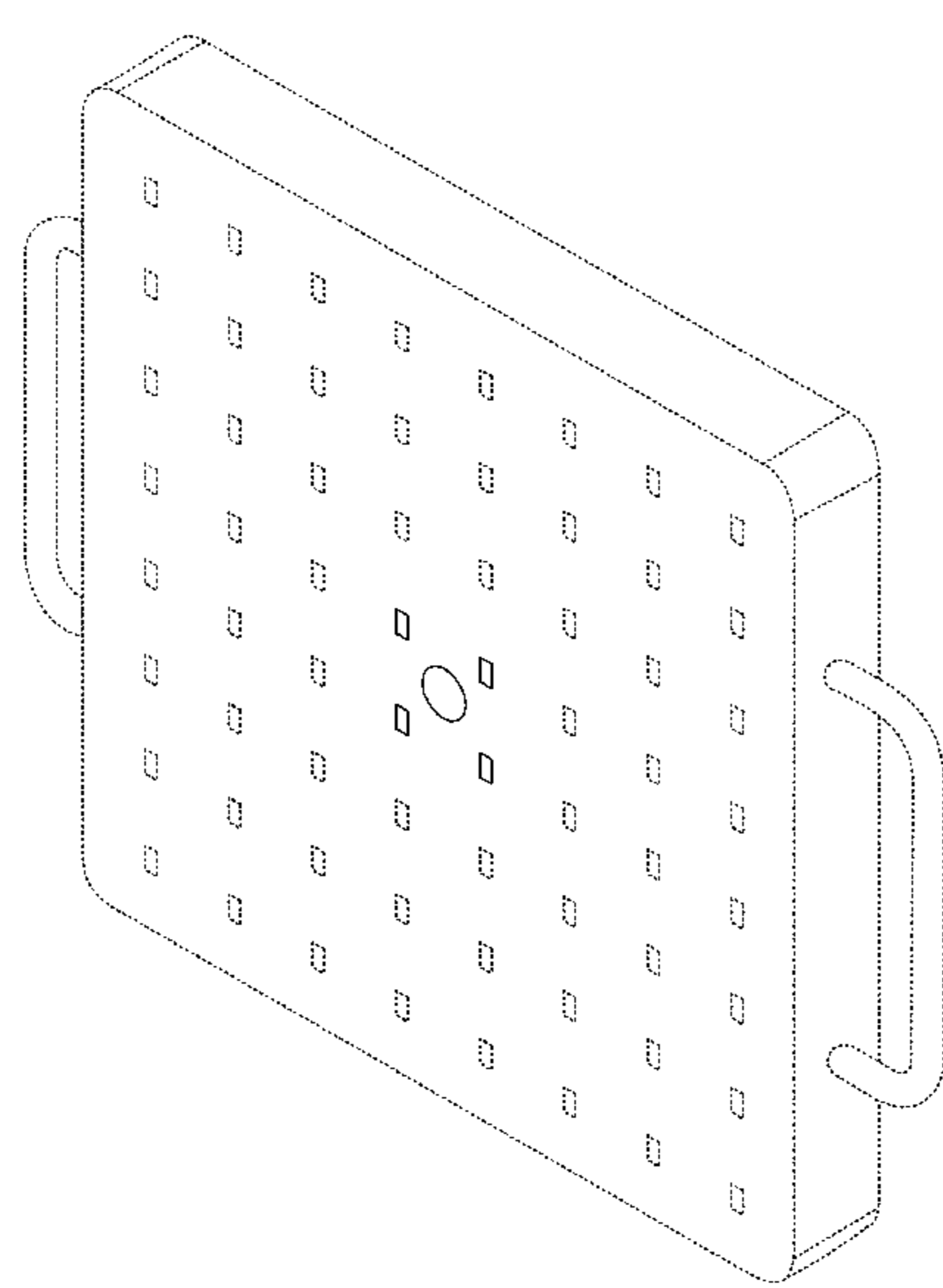
FIG. 5 is a bottom view of the acoustic imaging device of FIG. 1.

FIG. 6 is a right side view of the acoustic imaging device of FIG. 1; and,

FIG. 7 is a left side view of the acoustic imaging device of FIG. 1.

The broken lines show portions of the acoustic imaging device that form no part of the claimed design; the broken lines and unshaded surfaces form no part of the claimed design.

1 Claim, 5 Drawing Sheets



(56)

References Cited

U.S. PATENT DOCUMENTS

2014/0171762 A1* 6/2014 LeBoeuf G02B 6/0001
600/314
2014/0177388 A1* 6/2014 D'Angelo E21B 47/0002
367/35
2016/0157729 A1* 6/2016 Abe A61B 5/0095
600/407
2016/0165339 A1* 6/2016 Benattar H04R 1/406
381/92
2016/0277863 A1* 9/2016 Cahill H04R 3/005
2016/0282439 A1* 9/2016 Choe G01R 33/58
2017/0366897 A1* 12/2017 Azarewicz G10L 15/22
2018/0017943 A1* 1/2018 Huang G04B 37/12
2018/0020155 A1* 1/2018 Kim A61B 5/024
2018/0117355 A1* 5/2018 Loupis A61N 5/0616
2018/0184920 A1* 7/2018 Rabinovich A61B 5/02438
2019/0046106 A1* 2/2019 Pennypacker A61B 5/745
2019/0051323 A1* 2/2019 Wiegandt G01H 11/06

* cited by examiner

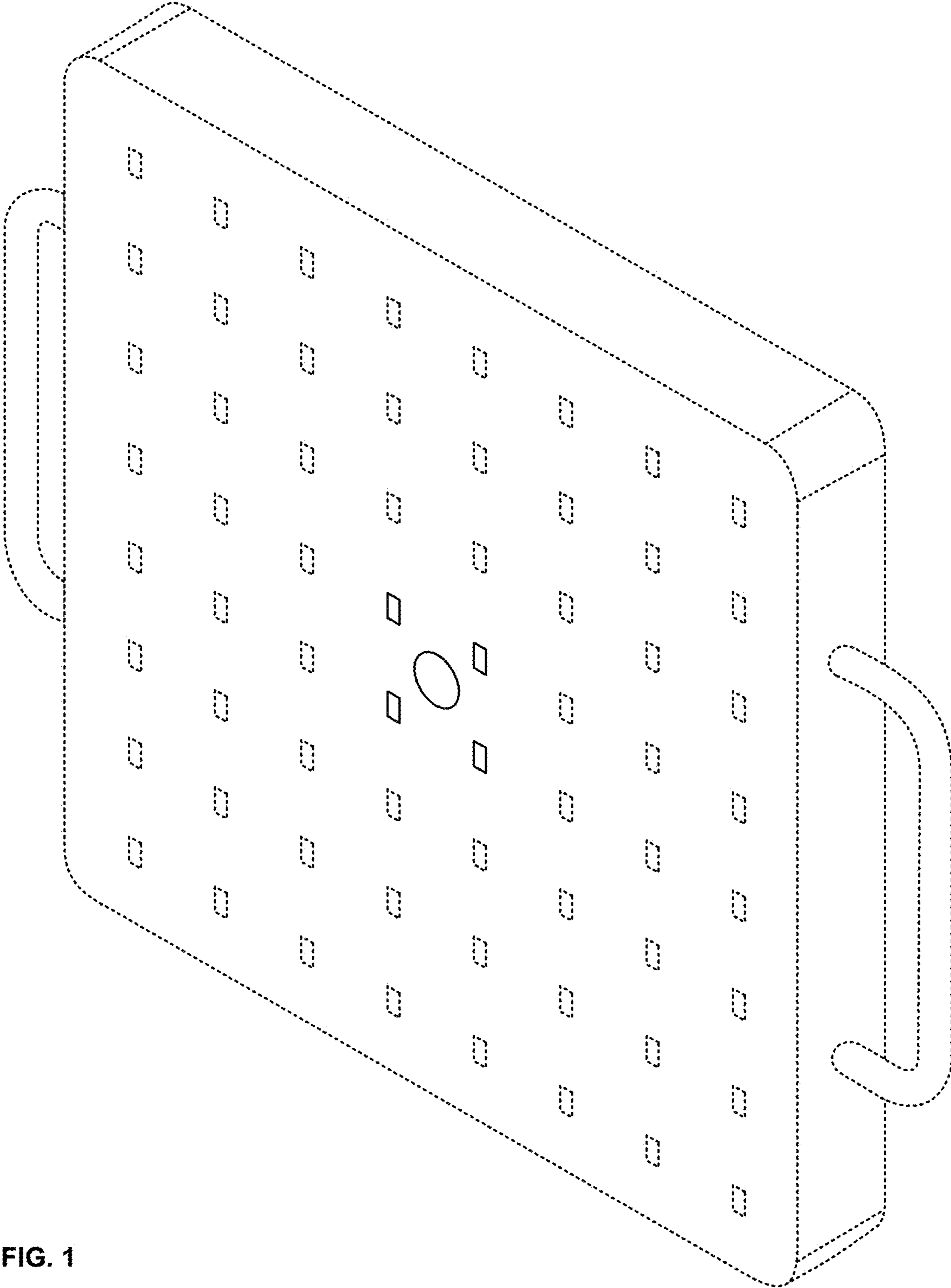


FIG. 1

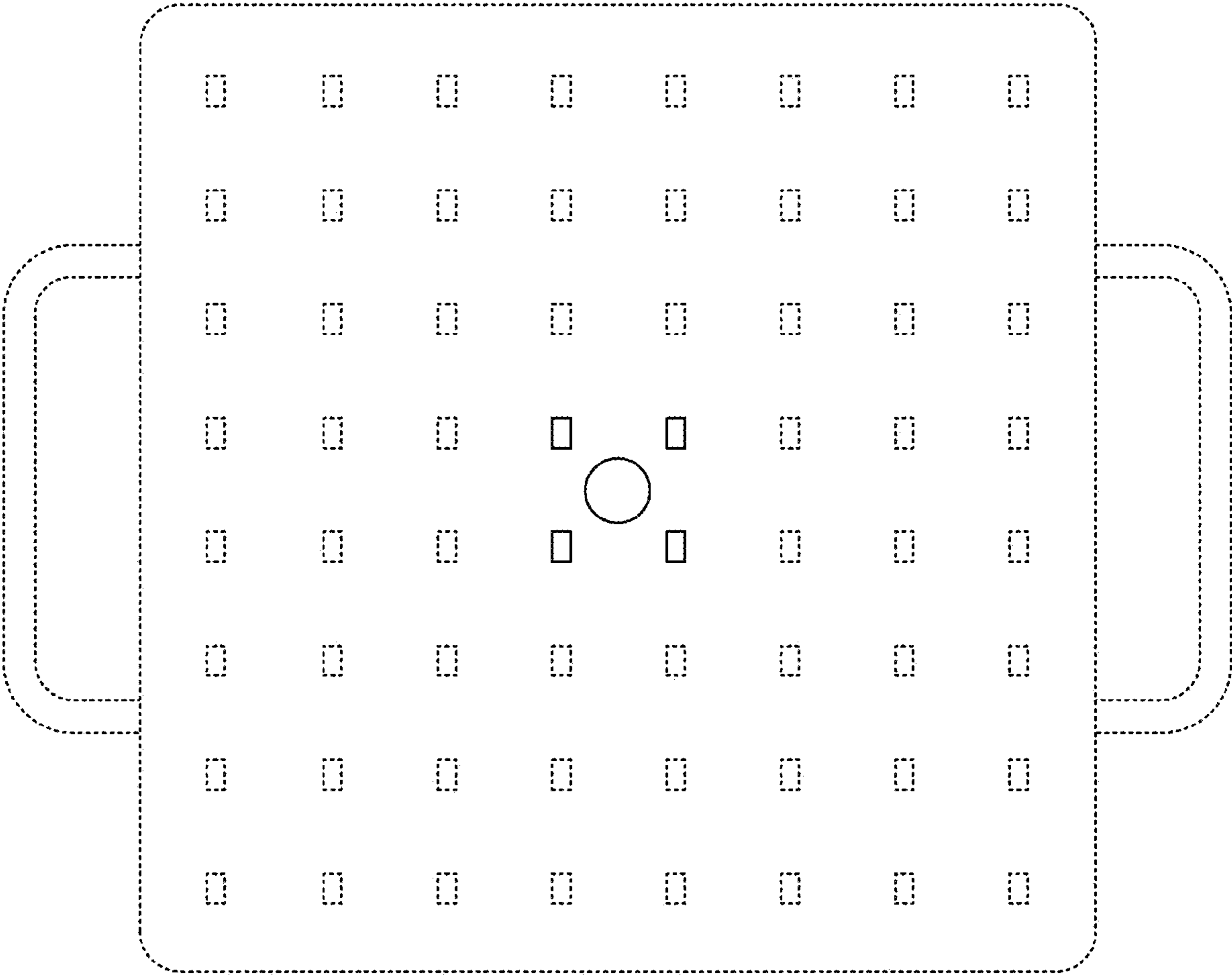


FIG. 2

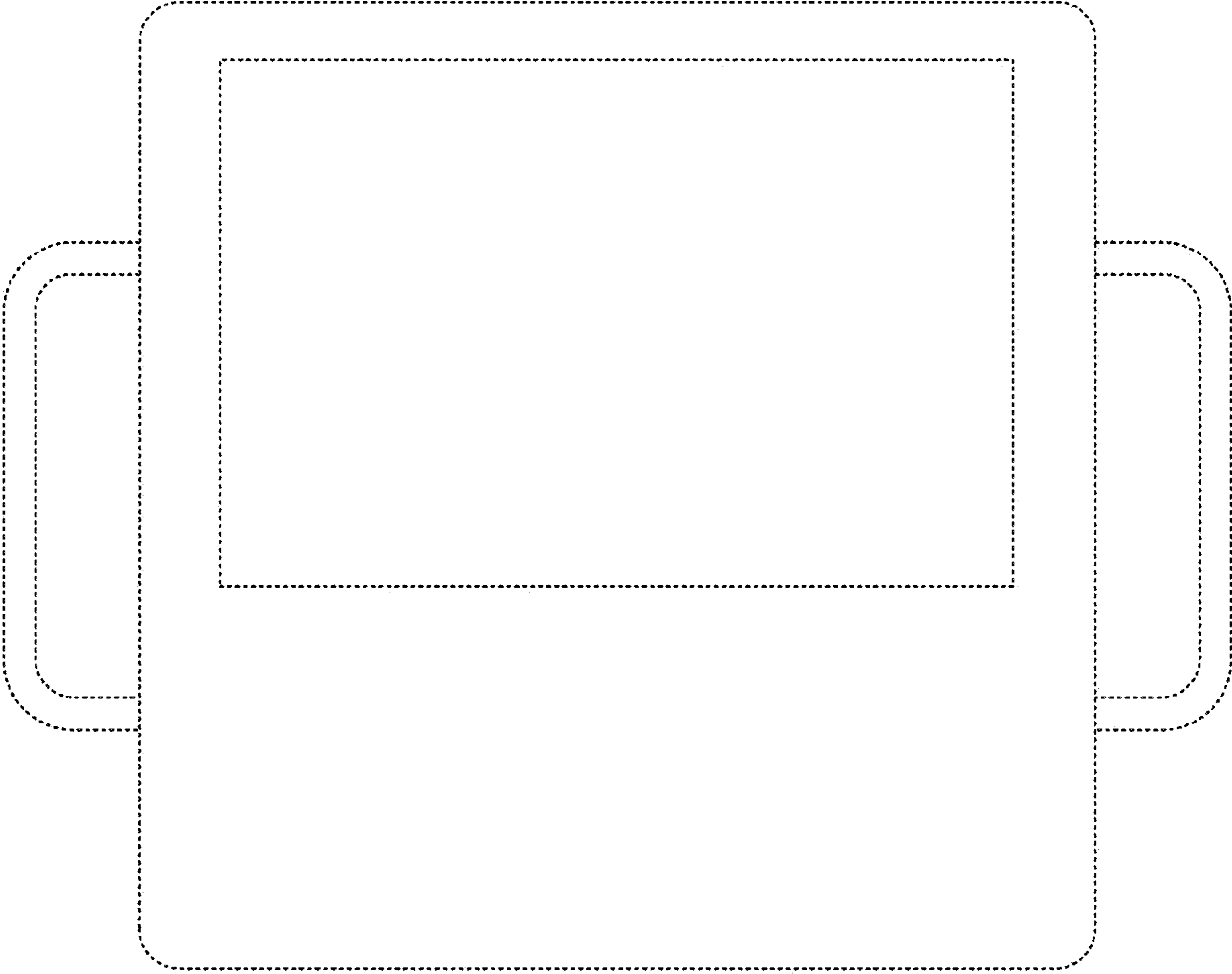


FIG. 3

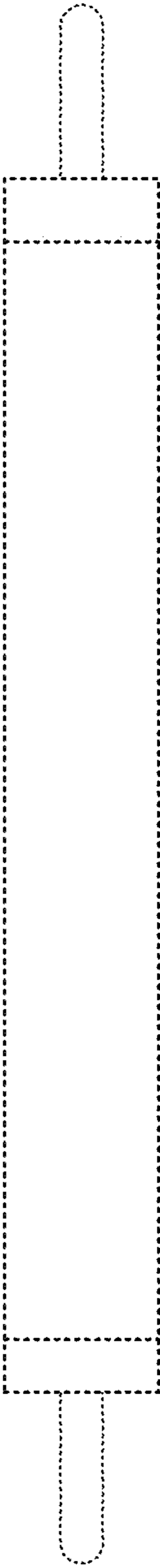


FIG. 4

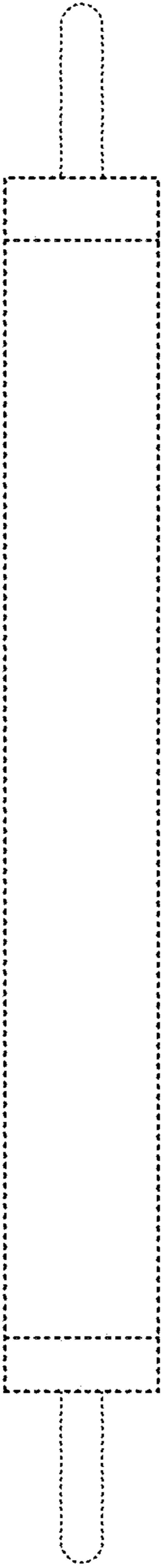


FIG. 5

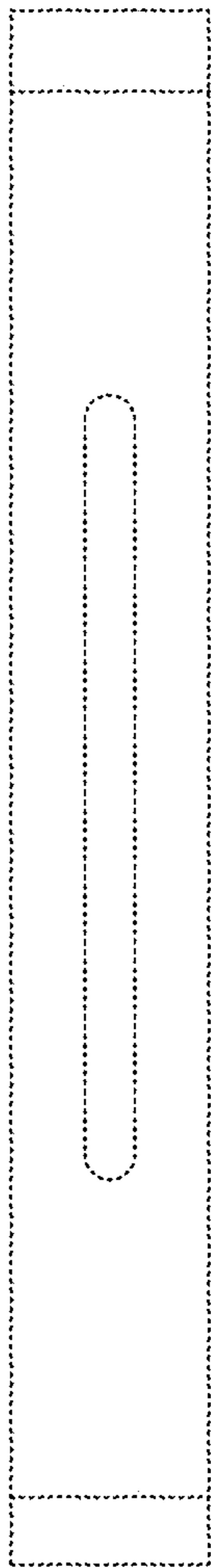


FIG. 6

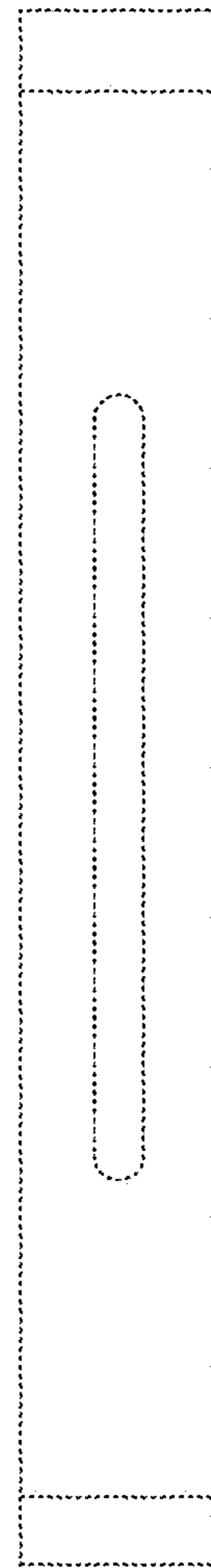


FIG. 7