



US00D920136S

(12) **United States Design Patent**  
**Candamil**

(10) **Patent No.:** **US D920,136 S**

(45) **Date of Patent:** **\*\* May 25, 2021**

(54) **WATCH**

(71) Applicant: **RICHEMONT INTERNATIONAL SA, Villars-sur-Glane (CH)**

(72) Inventor: **Constanza Candamil, Geneva (CH)**

(73) Assignee: **RICHEMONT INTERNATIONAL SA, Villars-sur-Glane (CH)**

(\*\*) Term: **15 Years**

(21) Appl. No.: **29/729,363**

(22) Filed: **Mar. 26, 2020**

(30) **Foreign Application Priority Data**

Mar. 20, 2020 (WO) ..... 93205

(51) **LOC (13) Cl.** ..... **10-02**

(52) **U.S. Cl.**  
USPC ..... **D10/39**

(58) **Field of Classification Search**

USPC ..... D10/30-39, 121-132; D14/344

CPC .... G04B 19/00; G04B 19/046; G04B 19/065;

G04B 19/10; G04B 19/12; G04B 19/18;

G04B 19/22; G04B 19/223; G04B

19/243; G04B 19/24306; G04B 19/28;

G04B 19/283; G04B 19/286; G04B

37/00; G04B 37/0008; G04B 37/0058;

G04B 37/005; G04B 37/12; G04B 39/00;

G04B 45/00; G04B 45/0069; G04B

45/0076; G04B 47/06; G04B 47/061;

G04B 47/063; G04B 47/065; G04B

47/066; G04B 47/068; G04B 47/042;

G04G 19/06

See application file for complete search history.

(56) **References Cited**

**U.S. PATENT DOCUMENTS**

D250,694 S \* 1/1979 Perrin ..... D10/39  
D262,692 S \* 1/1982 Kurowsky ..... D10/39

D328,866 S \* 8/1992 Deleskiewicz ..... D10/39  
D476,580 S \* 7/2003 Galvani ..... D10/30  
D476,581 S \* 7/2003 Galvani ..... D10/30  
D476,907 S \* 7/2003 Galvani ..... D10/32  
D581,291 S \* 11/2008 Hegi ..... D10/38  
D617,662 S \* 6/2010 Monachon ..... D10/32  
D622,163 S \* 8/2010 Loth ..... D10/32  
D670,575 S \* 11/2012 Giannini ..... D10/32  
D703,552 S \* 4/2014 Monachon ..... D10/32  
D737,692 S \* 9/2015 Yoshida ..... D10/32  
D758,885 S \* 6/2016 Yoshida ..... D10/30  
D758,891 S \* 6/2016 Candamil ..... D10/32  
D769,741 S \* 10/2016 Buonamassa ..... D10/38

(Continued)

**OTHER PUBLICATIONS**

Hands-on Piaget Possession 2018 Collection Ladies Watches | monochrome-watches.com; posted Feb. 2018 [online], © 2006-2021 Monochrome [retrieved Mar. 23, 2021] from Internet: <https://monochrome-watches.com/piaget-possession-2018-collection-ladies-watches-review-price/> (Year: 2018).\*

*Primary Examiner* — Katherine Glennon

(74) *Attorney, Agent, or Firm* — Oliff PLC

(57) **CLAIM**

The ornamental design for a watch, as shown and described.

**DESCRIPTION**

FIG. 1 is a front elevational view of a watch, showing our new design;

FIG. 2 is a rear elevational view thereof;

FIG. 3 is a top plan view thereof;

FIG. 4 is a bottom plan view thereof;

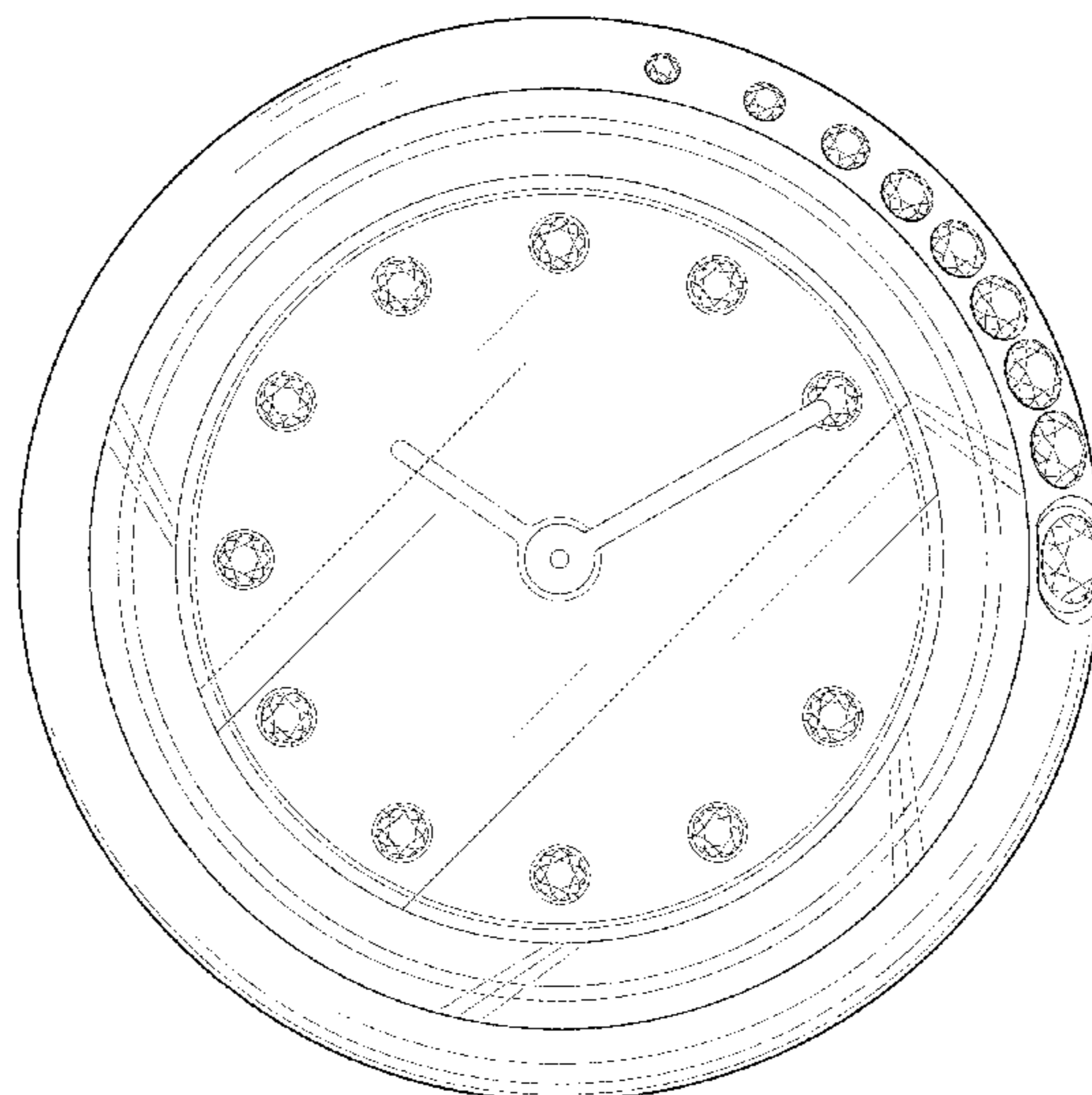
FIG. 5 is a left-side elevational view thereof;

FIG. 6 is a right-side elevational view thereof; and,

FIG. 7 is a front, right-side, bottom perspective view thereof.

The broken lines depict parts of the watch that form no part of the claimed design.

**1 Claim, 5 Drawing Sheets**



(56)

**References Cited**

U.S. PATENT DOCUMENTS

D796,347	S	*	9/2017	Yoshida	.....	D10/38
D813,689	S	*	3/2018	Yoshida	.....	D10/30
D814,319	S	*	4/2018	von Burg	.....	D10/39
D824,275	S	*	7/2018	Sivriere	.....	D11/35
D834,430	S	*	11/2018	Schaad	.....	D10/30
D847,003	S	*	4/2019	Yoshida	.....	D10/38
D848,289	S	*	5/2019	Yoshida	.....	D10/38
D861,503	S	*	10/2019	Monachon	.....	D10/30
D867,166	S	*	11/2019	Cabral	.....	D10/39
D868,599	S	*	12/2019	Cabral	.....	D10/39
D869,963	S	*	12/2019	Cabral	.....	D10/39

\* cited by examiner

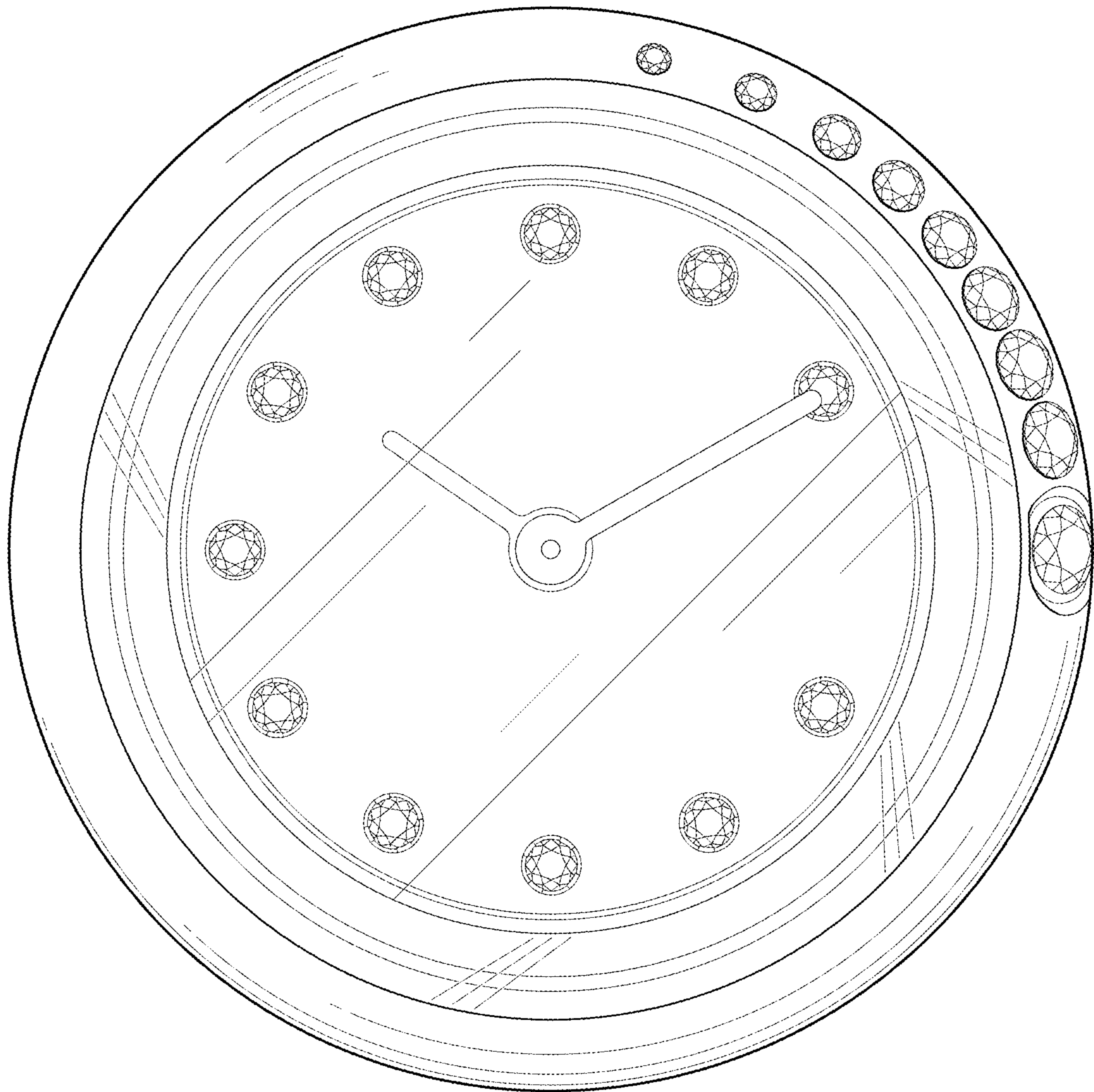


FIG. 1

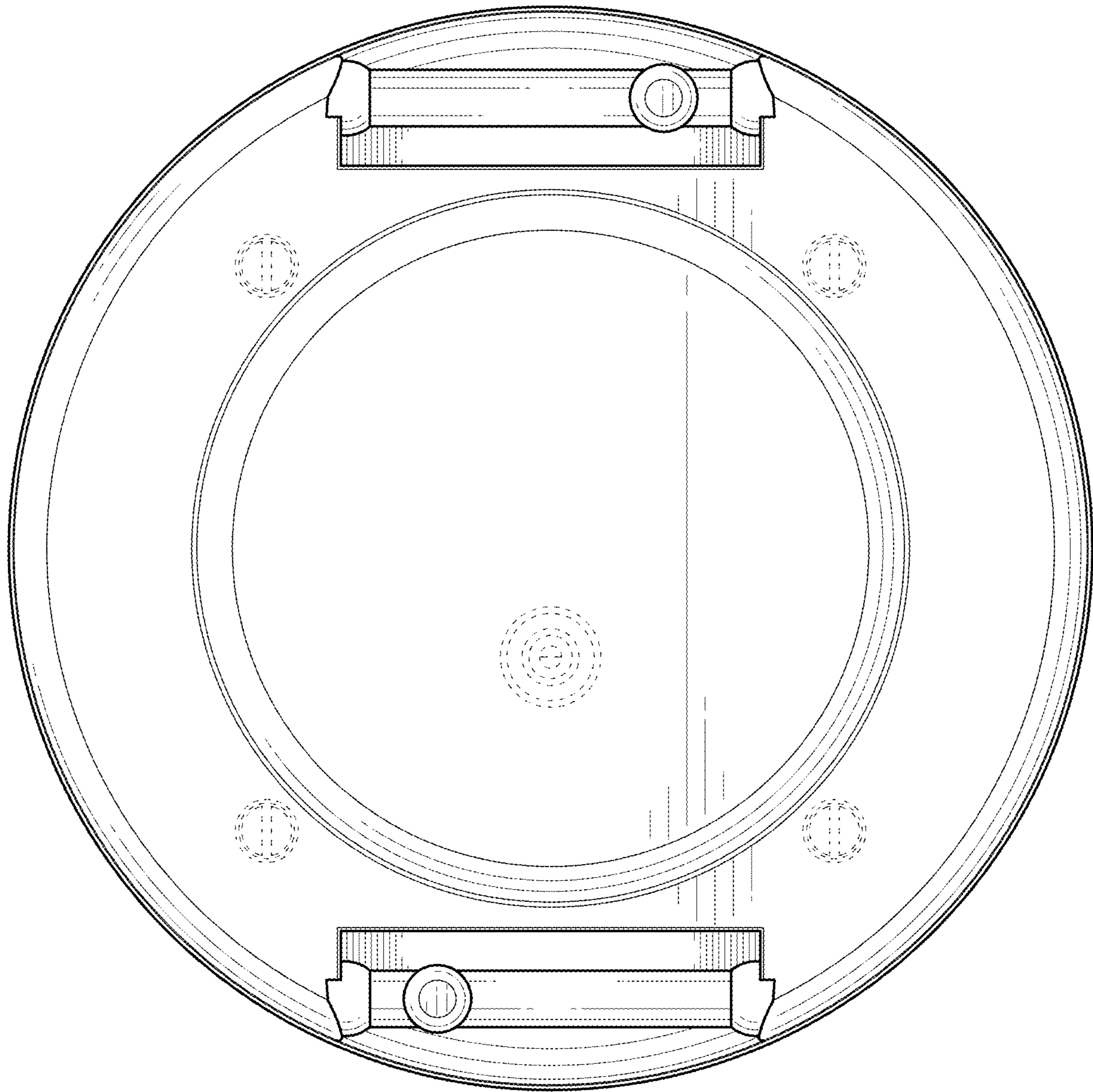


FIG. 2

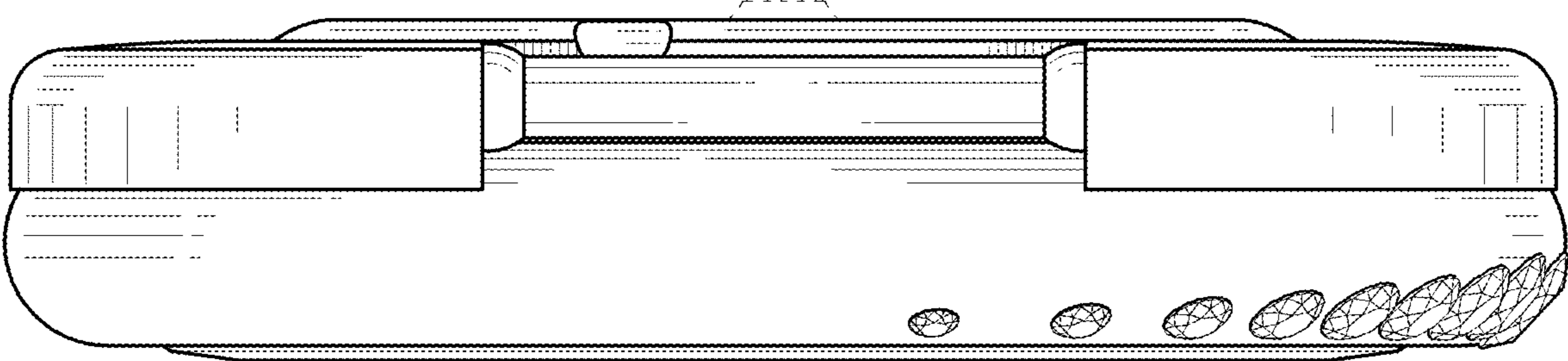


FIG. 3

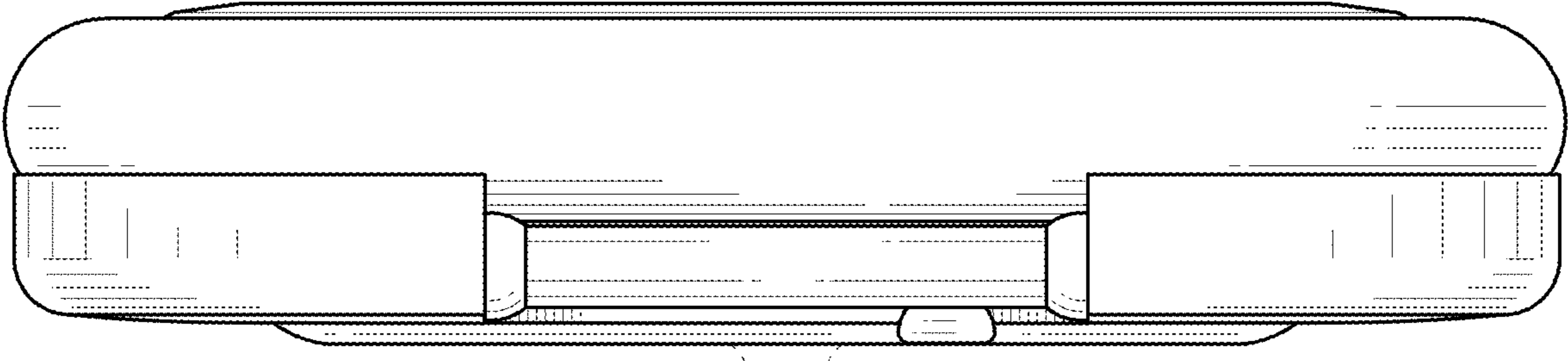


FIG. 4

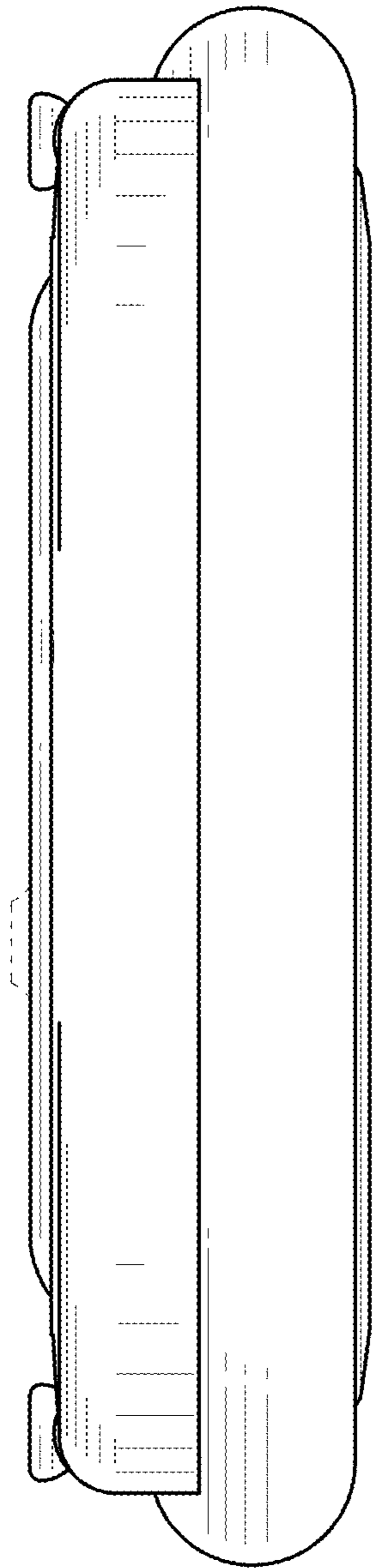


FIG. 5

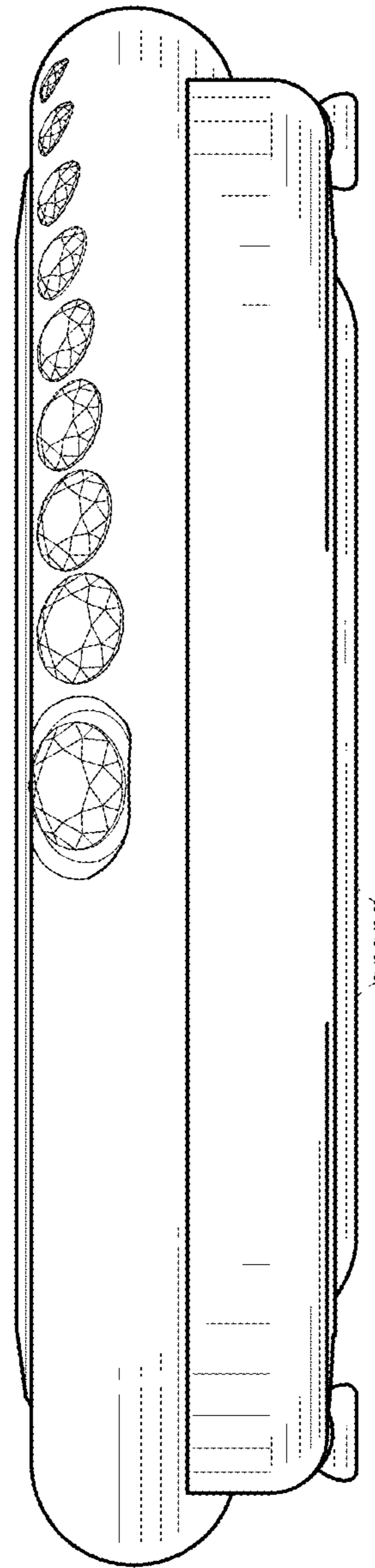


FIG. 6

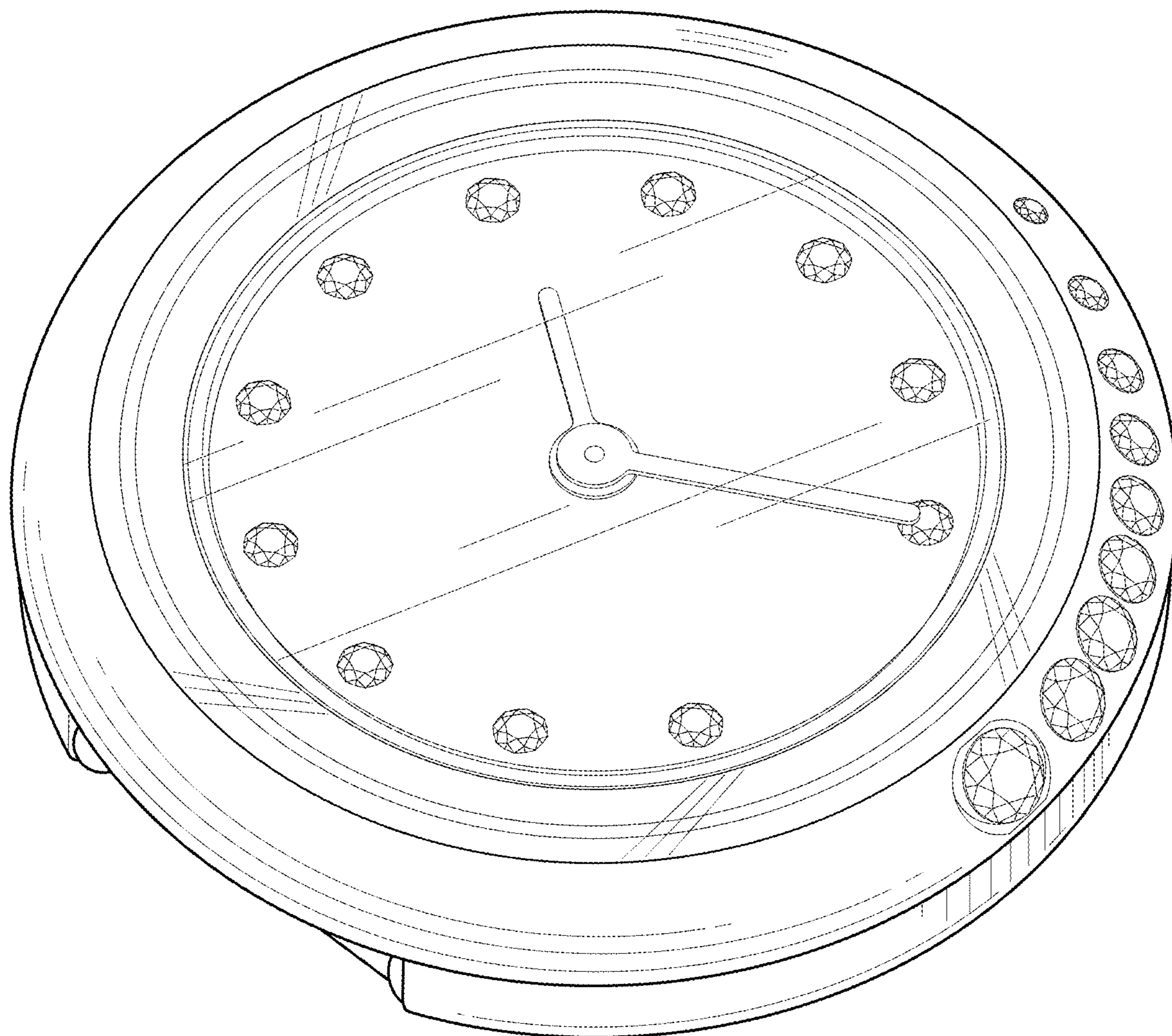


FIG. 7

UNITED STATES PATENT AND TRADEMARK OFFICE  
**CERTIFICATE OF CORRECTION**

PATENT NO. : D920,136 S  
APPLICATION NO. : 29/729363  
DATED : May 25, 2021  
INVENTOR(S) : Constanza Candamil

Page 1 of 1

It is certified that error appears in the above-identified patent and that said Letters Patent is hereby corrected as shown below:

On the Title Page

Item (30) Foreign Application Priority Data:

Change "Mar. 20, 2020 (WO).....93205" to --Mar. 18, 2020 (WO).....93205--

Signed and Sealed this  
Seventeenth Day of August, 2021



Drew Hirshfeld  
*Performing the Functions and Duties of the  
Under Secretary of Commerce for Intellectual Property and  
Director of the United States Patent and Trademark Office*